

US00D564950S

(12) **United States Design Patent**  
**Baloga et al.**

(10) **Patent No.:** **US D564,950 S**  
(45) **Date of Patent:** **\*\* Mar. 25, 2008**

(54) **STROLLER TRAY WITH AUTOMOTIVE FACADE**

(74) *Attorney, Agent, or Firm*—Adams Intellectual Property Law, P.A.

(75) Inventors: **Thomas Charles Baloga**, Fort Mill, SC (US); **Doug Oaks**, Charlotte, NC (US)

(57) **CLAIM**

(73) Assignee: **Britax Child Safety, Inc.**, Charlotte, NC (US)

The ornamental design for a stroller tray with automotive facade, as shown and described.

(\*\*) Term: **14 Years**

**DESCRIPTION**

(21) Appl. No.: **29/182,066**

(22) Filed: **May 19, 2003**

(51) **LOC (8) Cl.** ..... **12-12**

(52) **U.S. Cl.** ..... **D12/133**

(58) **Field of Classification Search** ..... D12/128–133;  
267/5; 135/65–67, 74, 912; 280/647–650,  
280/29, 200, 250.1, 259; 297/DIG. 4; 296/65.03,  
296/65.04; 224/409; D6/364  
See application file for complete search history.

FIG. 1 is a perspective view of a stroller tray with automotive facade showing our new design;

FIG. 2 is a front view thereof;

FIG. 3 is a right side view thereof;

FIG. 4 is a left side view thereof;

FIG. 5 is a top view thereof;

FIG. 6 is a perspective view of an alternate embodiment of the design of FIG. 1;

FIG. 7 is a front view thereof;

FIG. 8 is a right side view thereof;

FIG. 9 is a left side view thereof; and,

FIG. 10 is a top view thereof.

The broken line showing of the stroller is included for the purpose of illustrating environment and forms no part of the claimed design. The broken lines on the front of the claimed design are for the purpose of defining boundaries between claimed and unclaimed areas and form no part of the claimed design.

(56) **References Cited**

**U.S. PATENT DOCUMENTS**

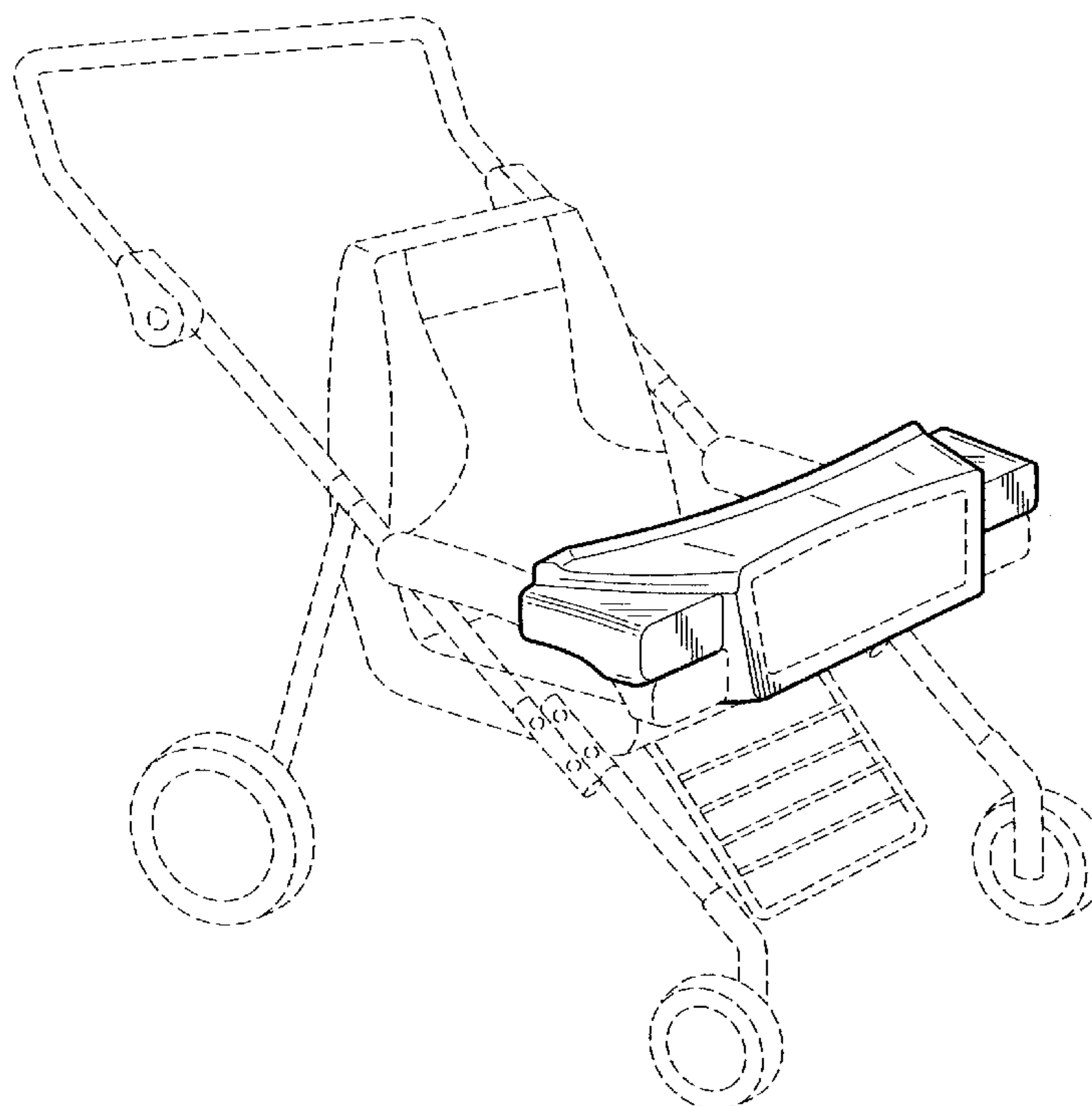
D305,011 S	*	12/1989	Pipon	.....	D12/129
D332,592 S	*	1/1993	O'Dea et al.	.....	D12/129
D388,027 S	*	12/1997	Polak et al.	.....	D12/129
D388,367 S	*	12/1997	Polak et al.	.....	D12/129
D403,622 S	*	1/1999	Pottick	.....	D12/133
D521,910 S	*	5/2006	Gillett et al.	.....	D12/133

\* cited by examiner

*Primary Examiner*—Charles A. Rademaker

*Assistant Examiner*—Charles D Hanson

**1 Claim, 8 Drawing Sheets**



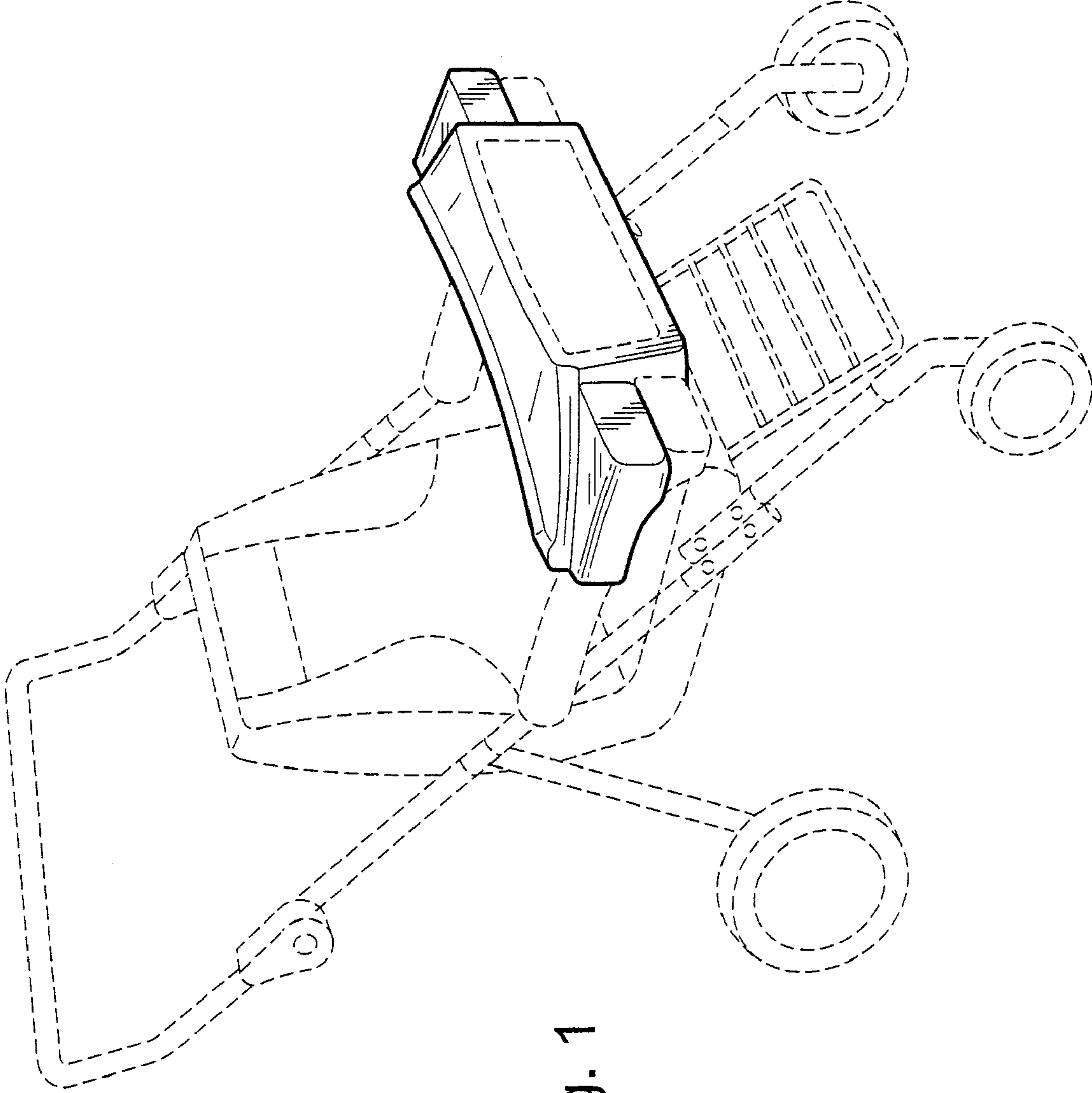


Fig. 1

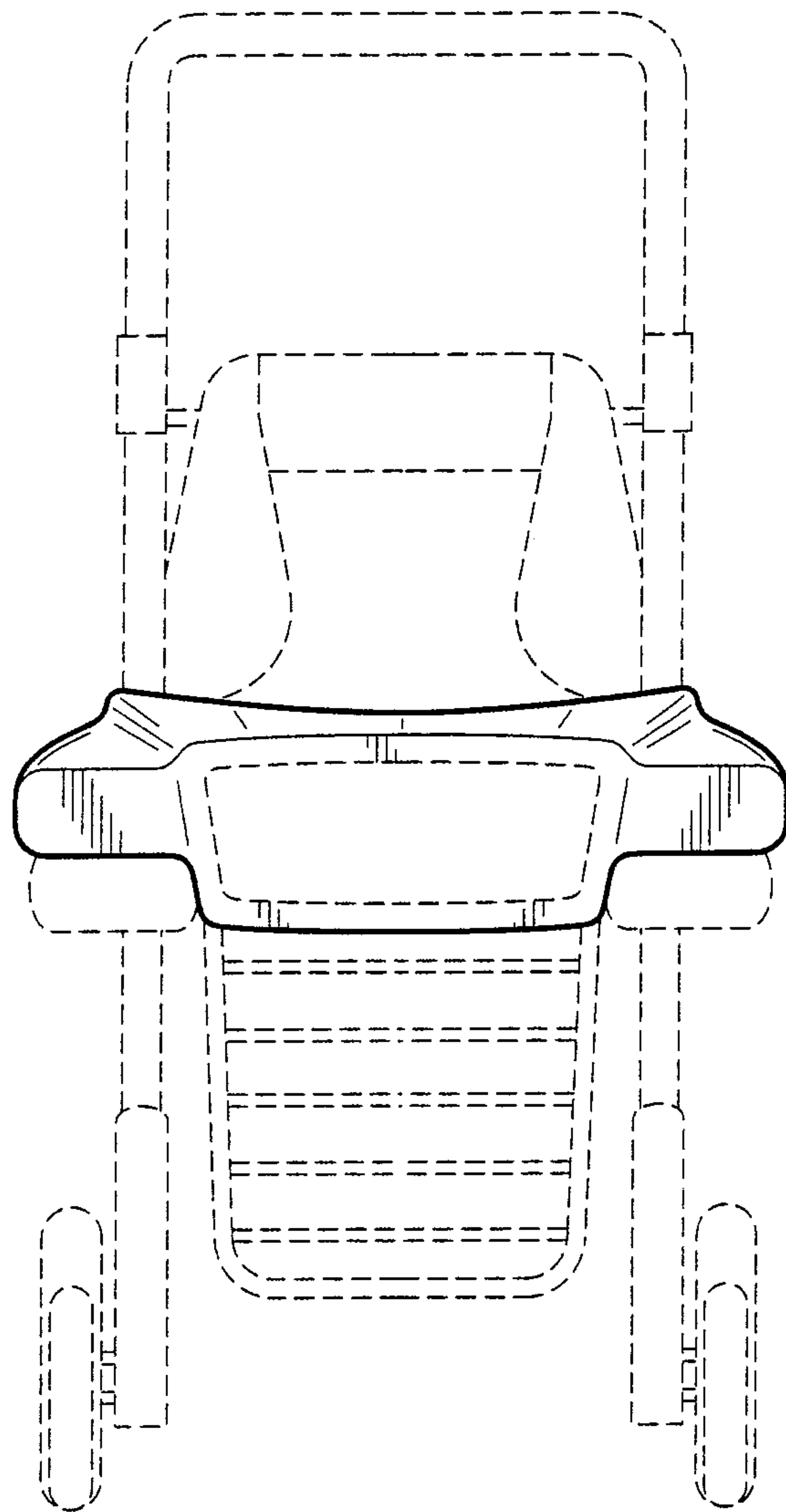


Fig. 2

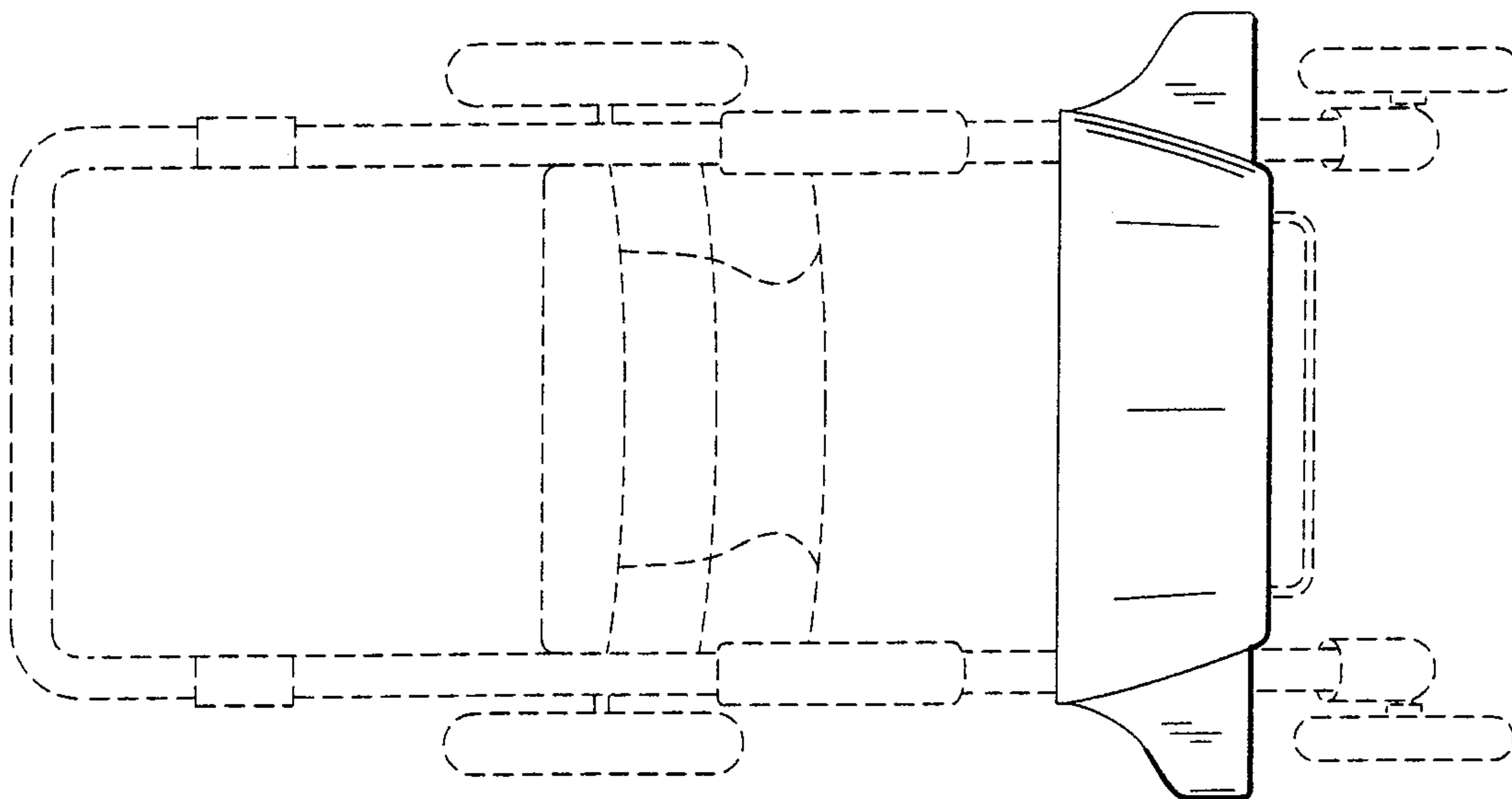


Fig. 5

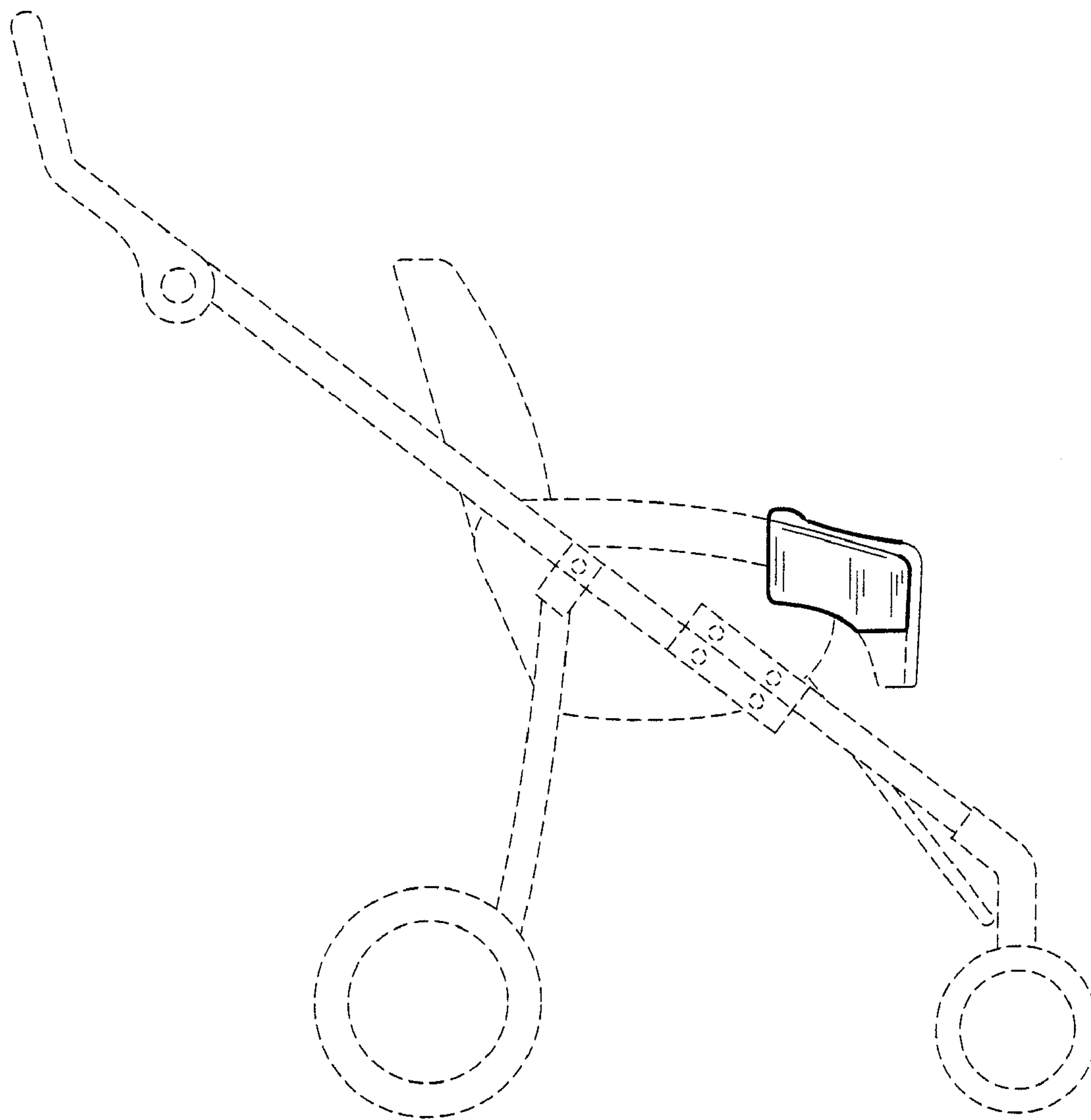


Fig. 3

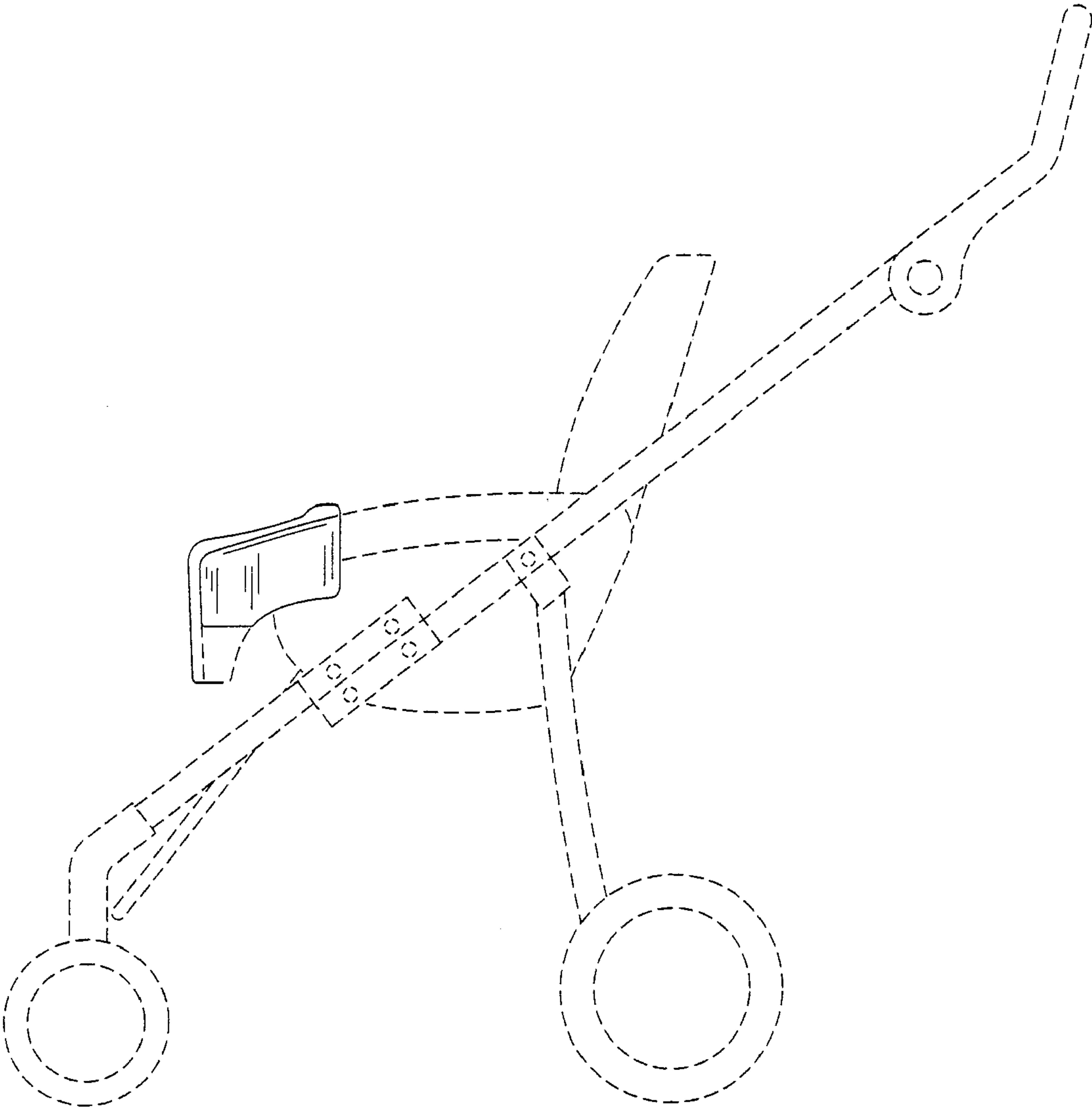


Fig. 4

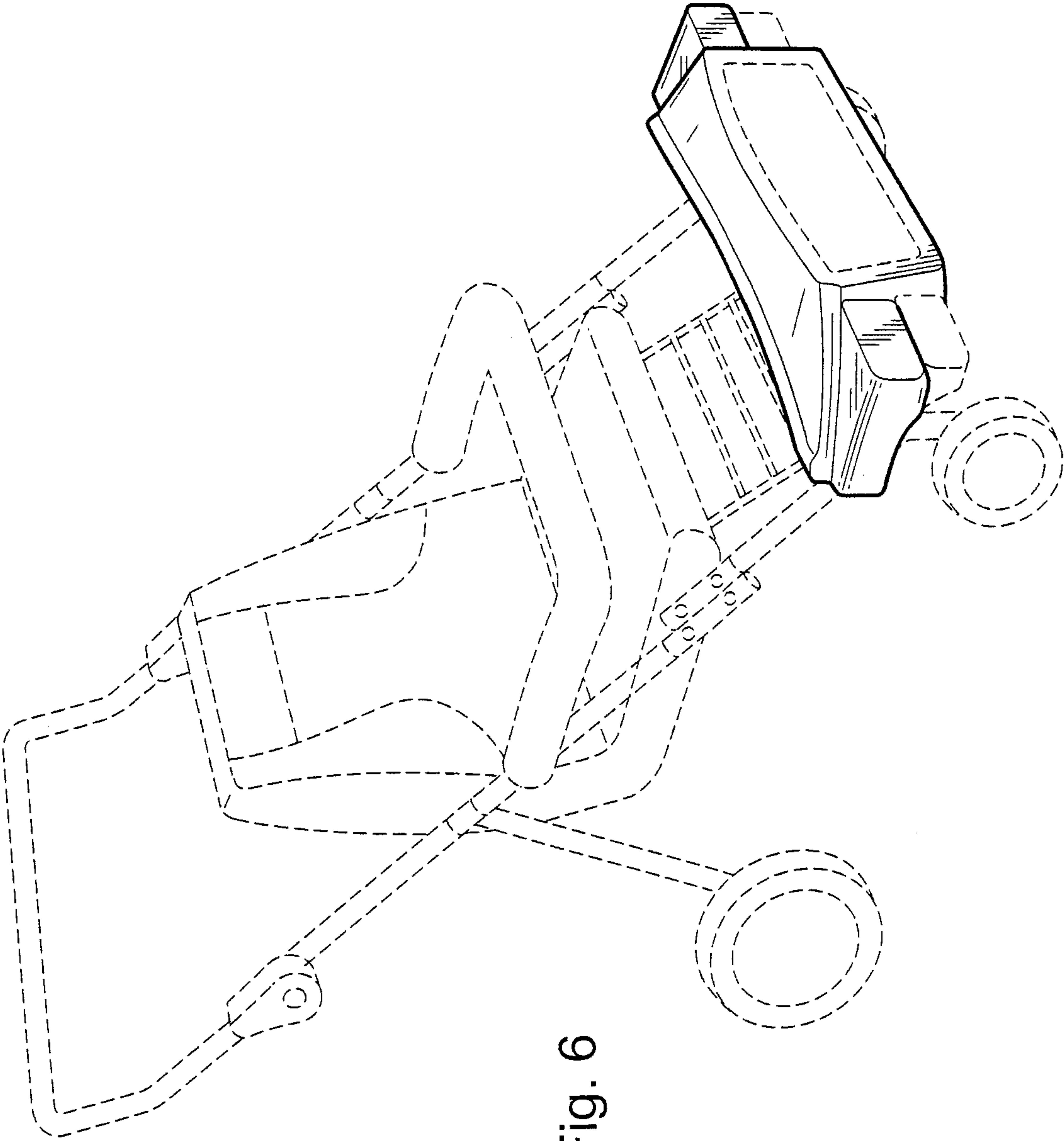


Fig. 6



Fig. 7

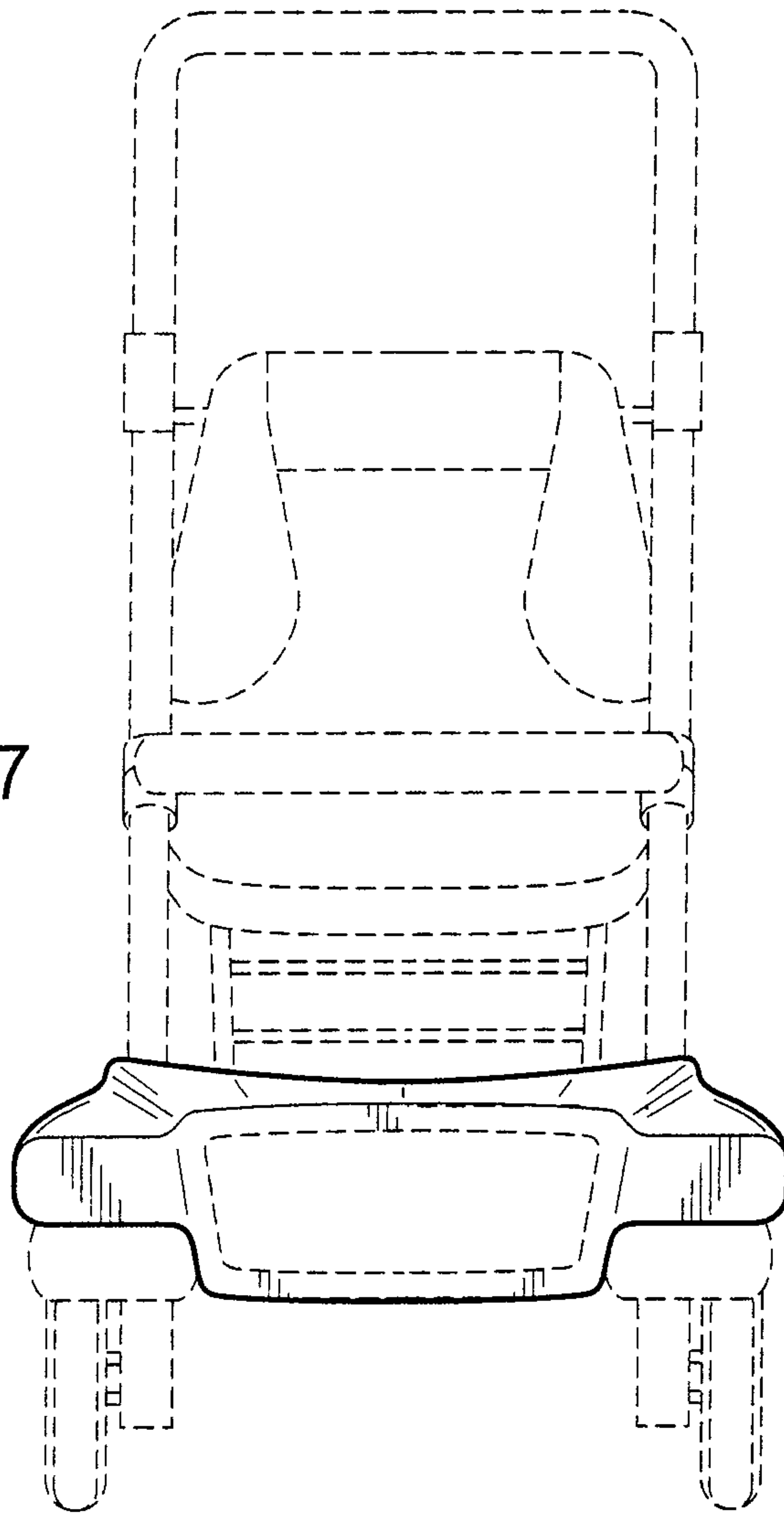
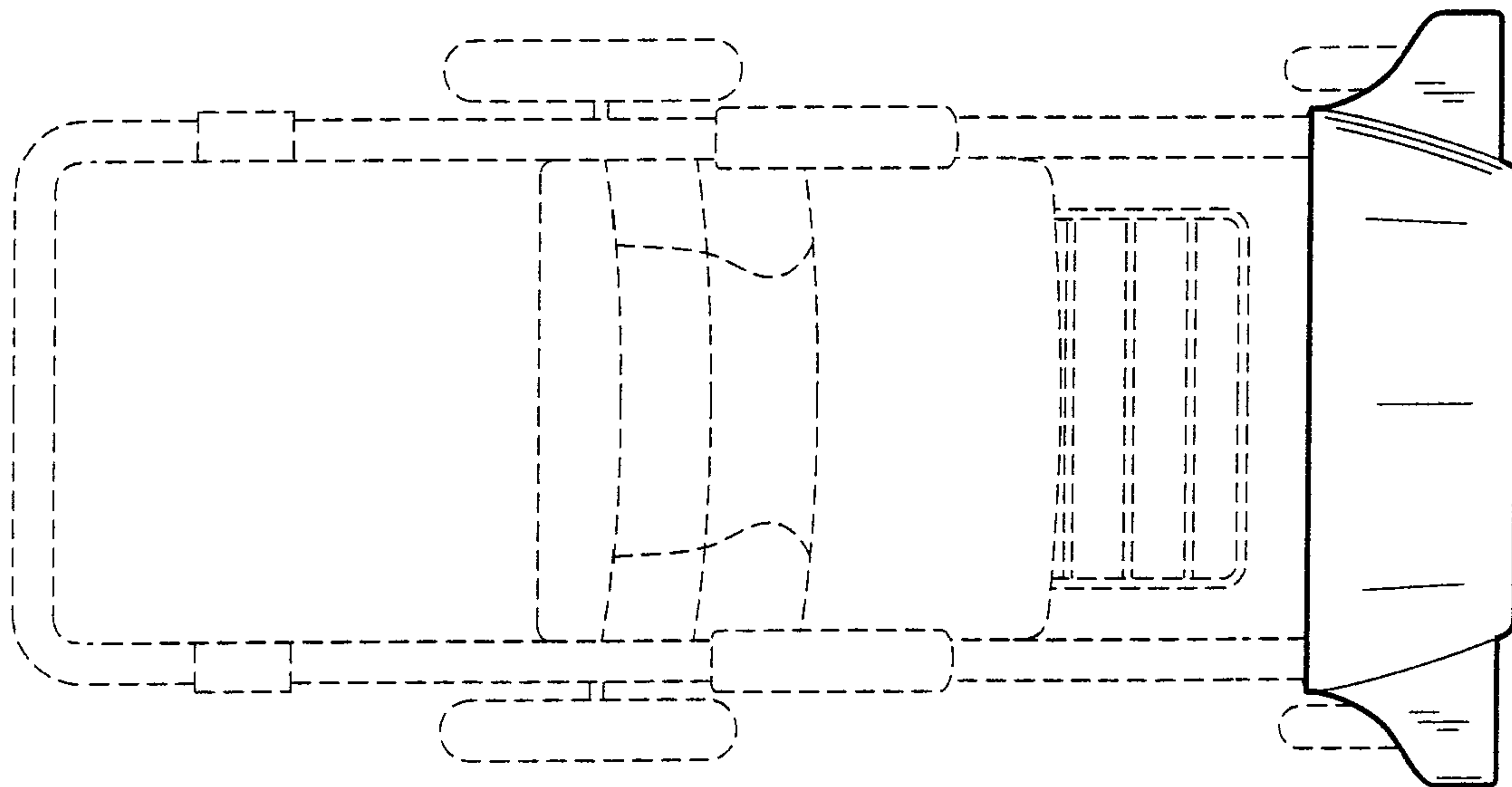


Fig. 10



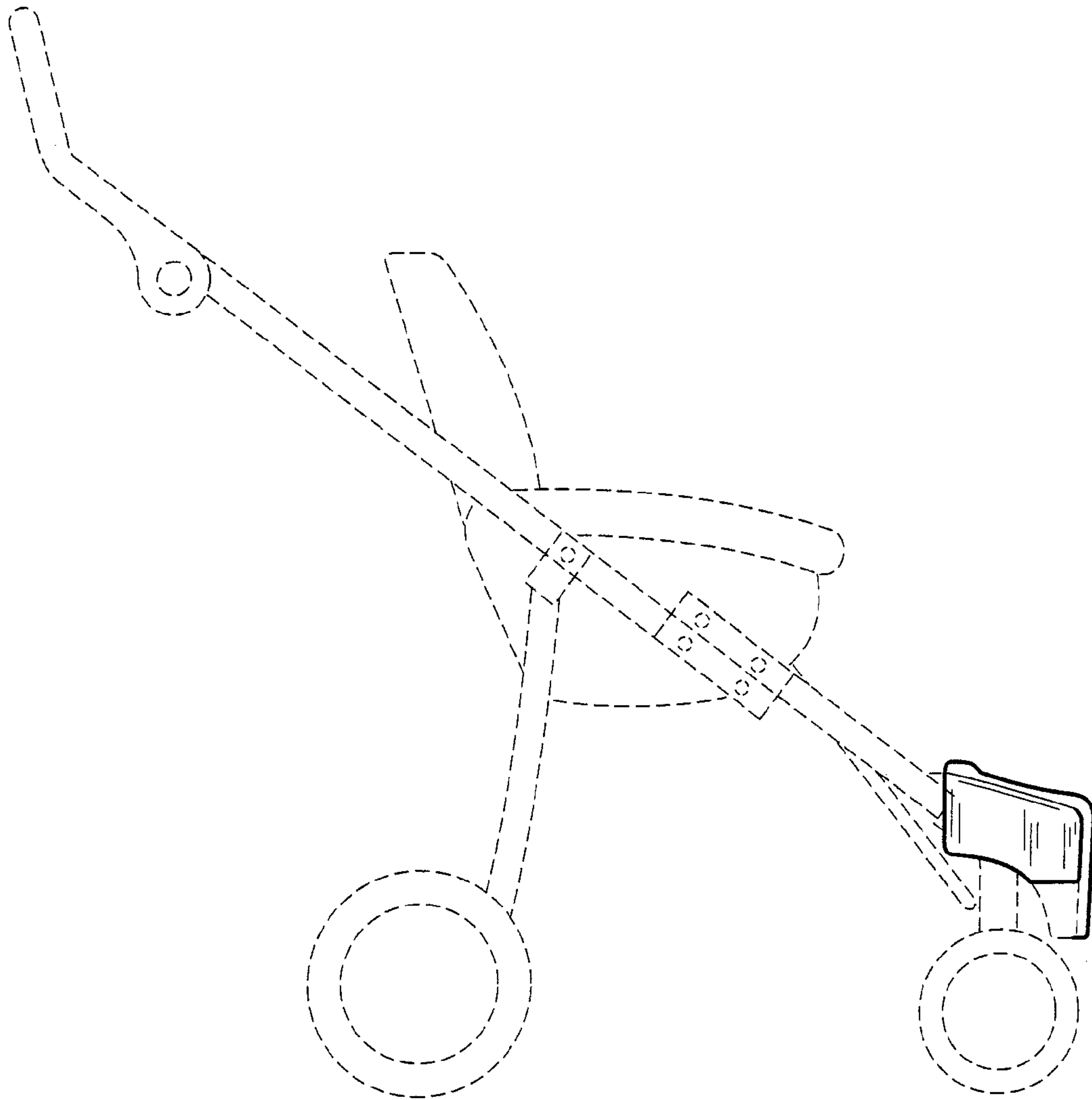


Fig. 8



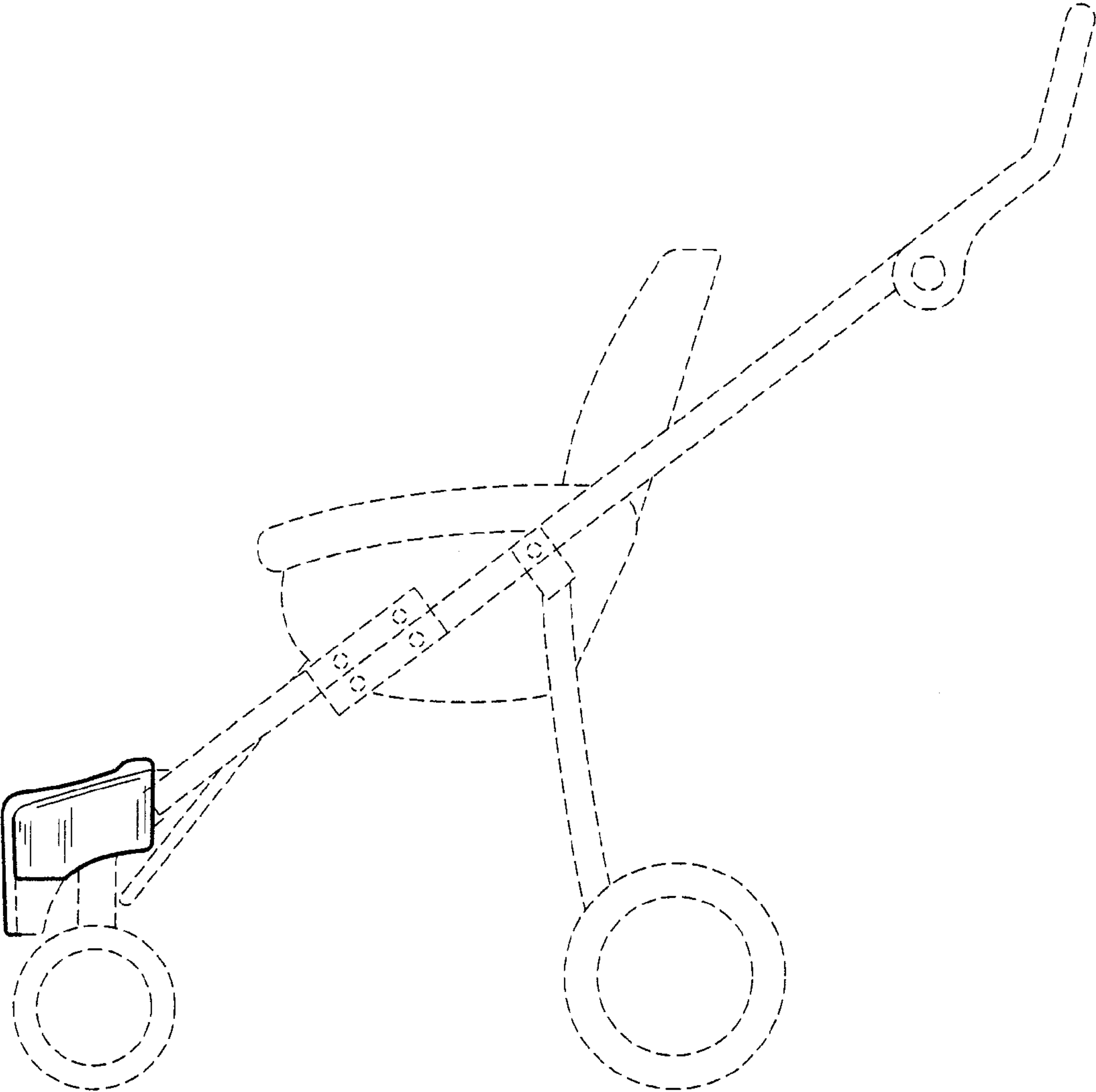


Fig. 9