



US00D564949S

(12) **United States Design Patent**
Nakagawa

(10) **Patent No.:** **US D564,949 S**
(45) **Date of Patent:** **** Mar. 25, 2008**

(54) **WALKER**

(75) Inventor: **Satoshi Nakagawa**, Tokyo (JP)

(73) Assignee: **Heartwell Co., Ltd.**, Chiba (JP)

(**) Term: **14 Years**

(21) Appl. No.: **29/266,027**

(22) Filed: **Sep. 12, 2006**

(30) **Foreign Application Priority Data**

Jul. 7, 2006 (JP) 2006-017984

(51) **LOC (8) Cl.** **12-12**

(52) **U.S. Cl.** **D12/130**

(58) **Field of Classification Search** D12/128-133;
296/65.03, 65.04; 224/409; 297/DIG. 4;
280/62, 647-650, 29, 200, 47.38, 250.1,
280/259, 642, 658

See application file for complete search history.

(56) **References Cited**

U.S. PATENT DOCUMENTS

D281,771 S * 12/1985 Webb D12/130
D395,853 S * 7/1998 Luo D12/130
D396,437 S * 7/1998 Liljedahl D12/130
D427,115 S * 6/2000 Kjell et al. D12/130

D441,694 S * 5/2001 Kjell et al. D12/130
D448,706 S * 10/2001 Ferm D12/130
6,378,883 B1 * 4/2002 Epstein 280/250.1
D475,323 S * 6/2003 Hallgrimsson D12/130
D479,164 S * 9/2003 Wu D12/130
D481,336 S * 10/2003 Wu D12/130
D495,628 S * 9/2004 Cowie D12/130

* cited by examiner

Primary Examiner—Charles A. Rademaker

Assistant Examiner—Charles D Hanson

(74) *Attorney, Agent, or Firm*—Masuvalley and Partners

(57) **CLAIM**

The ornamental design for a walker, as shown and described.

DESCRIPTION

FIG. 1 is a rear elevation view of a walker showing my new design;

FIG. 2 is a front elevation view thereof;

FIG. 3 is a left elevation view thereof;

FIG. 4 is a right elevation view thereof;

FIG. 5 is a top plan view thereof; and,

FIG. 6 is a bottom plan view thereof.

1 Claim, 6 Drawing Sheets

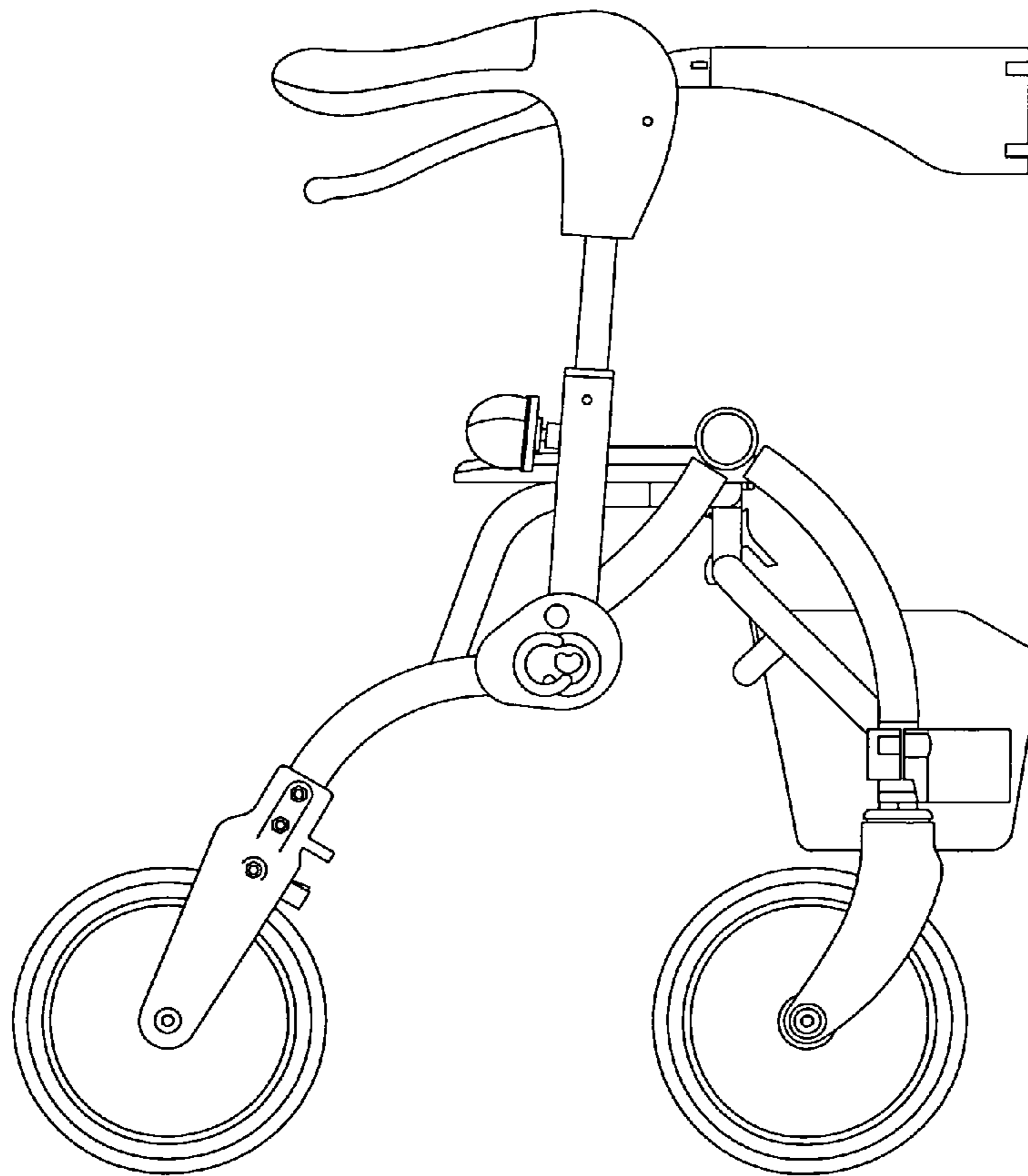


FIG. 1

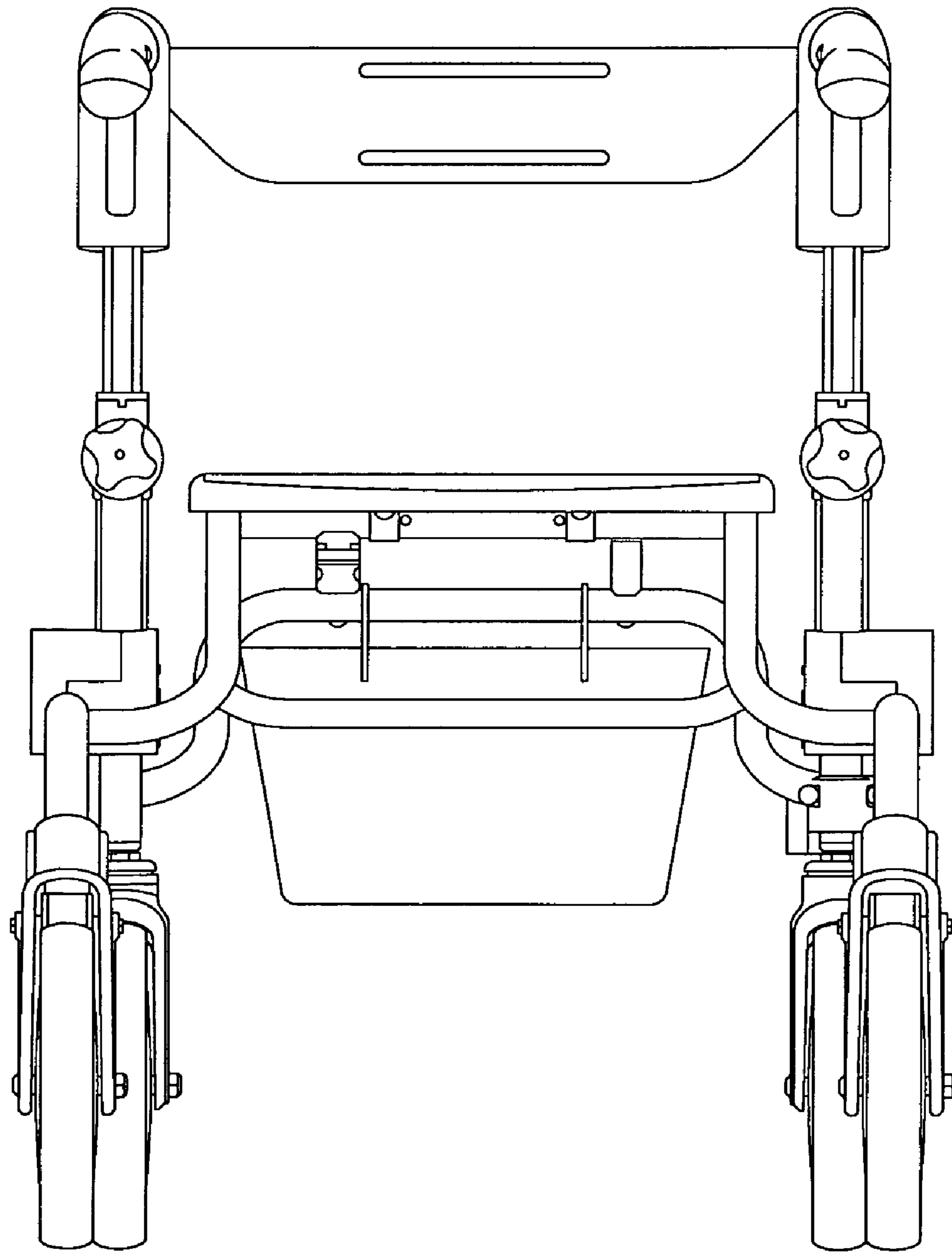


FIG. 2

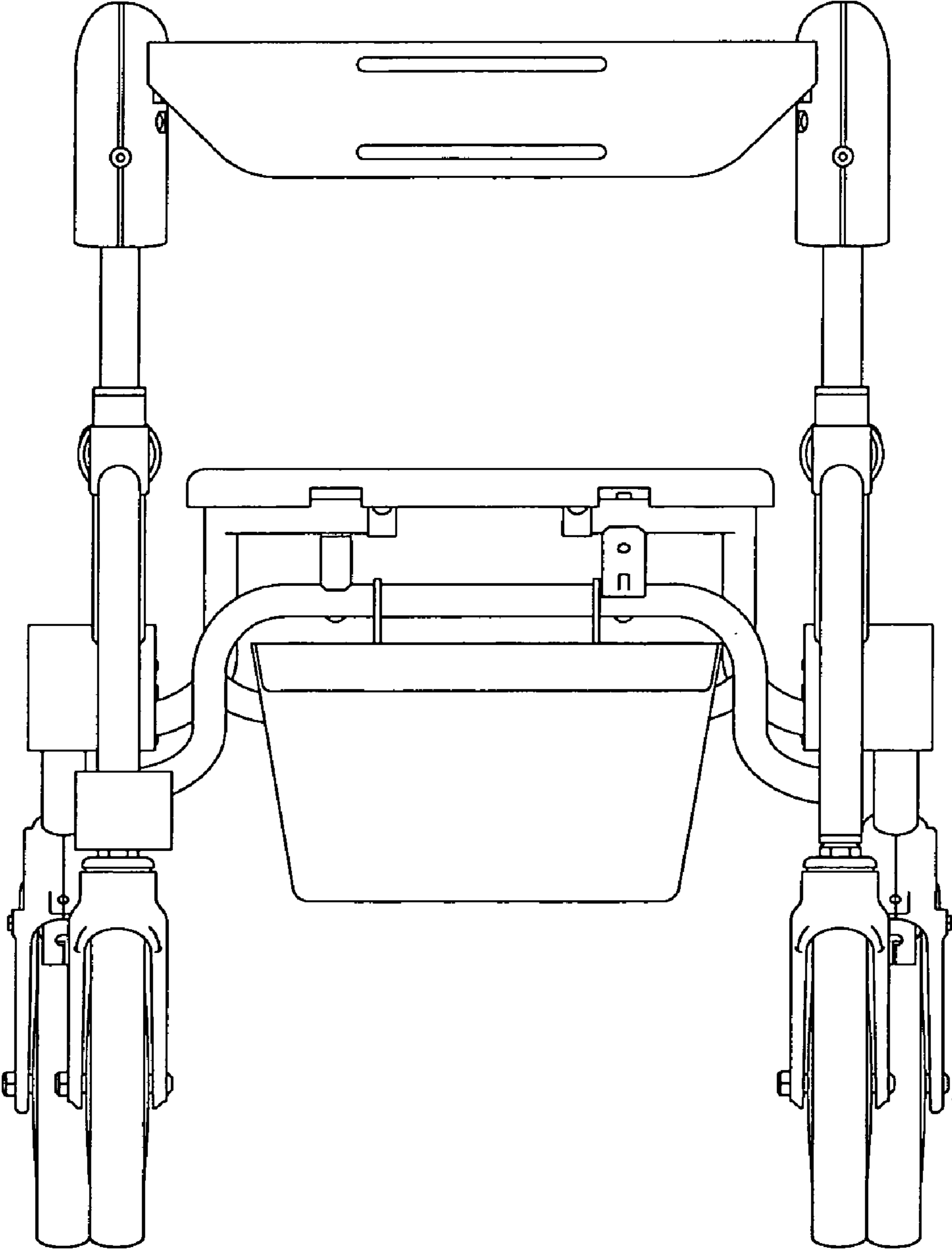


FIG. 3

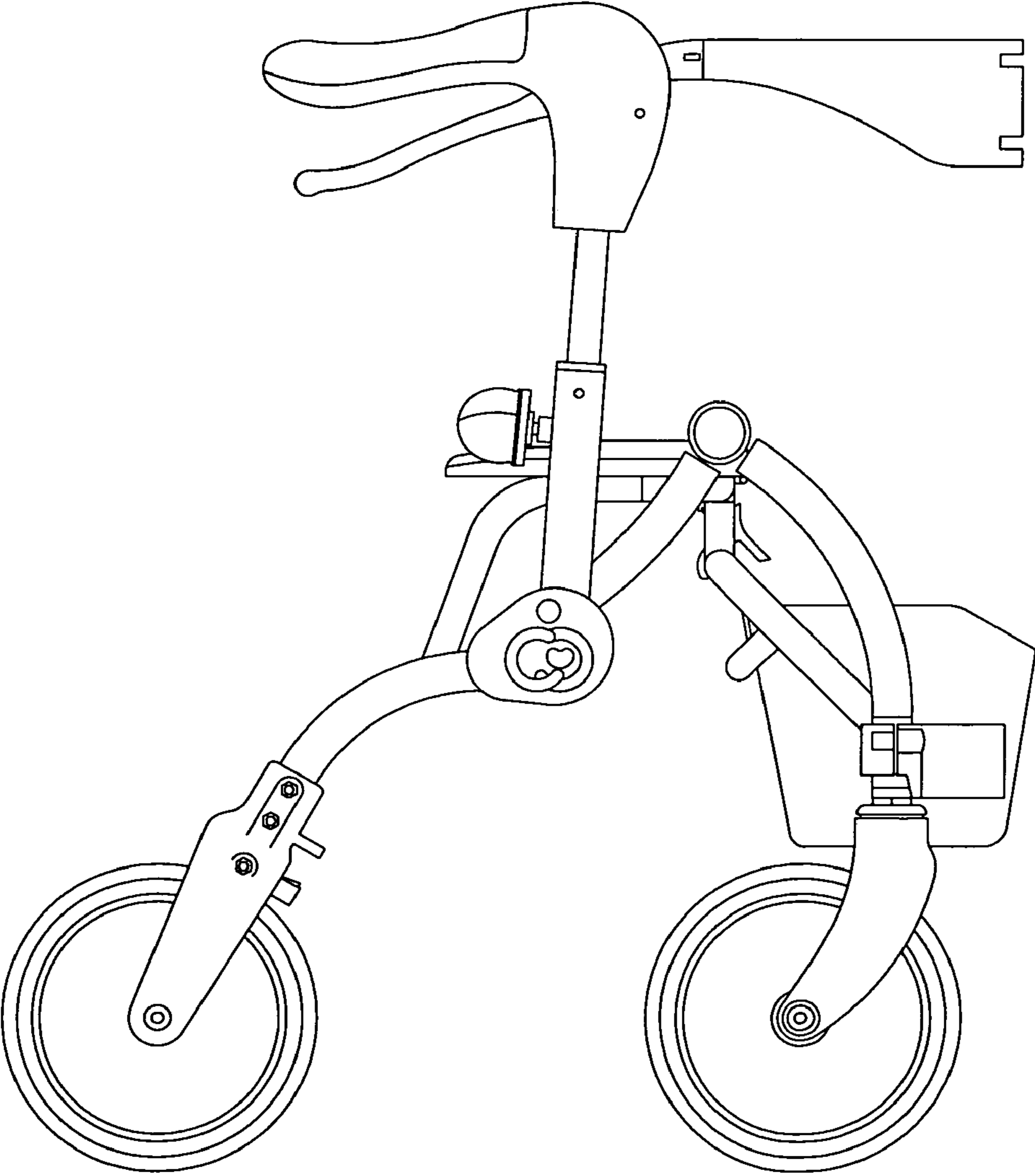


FIG. 4

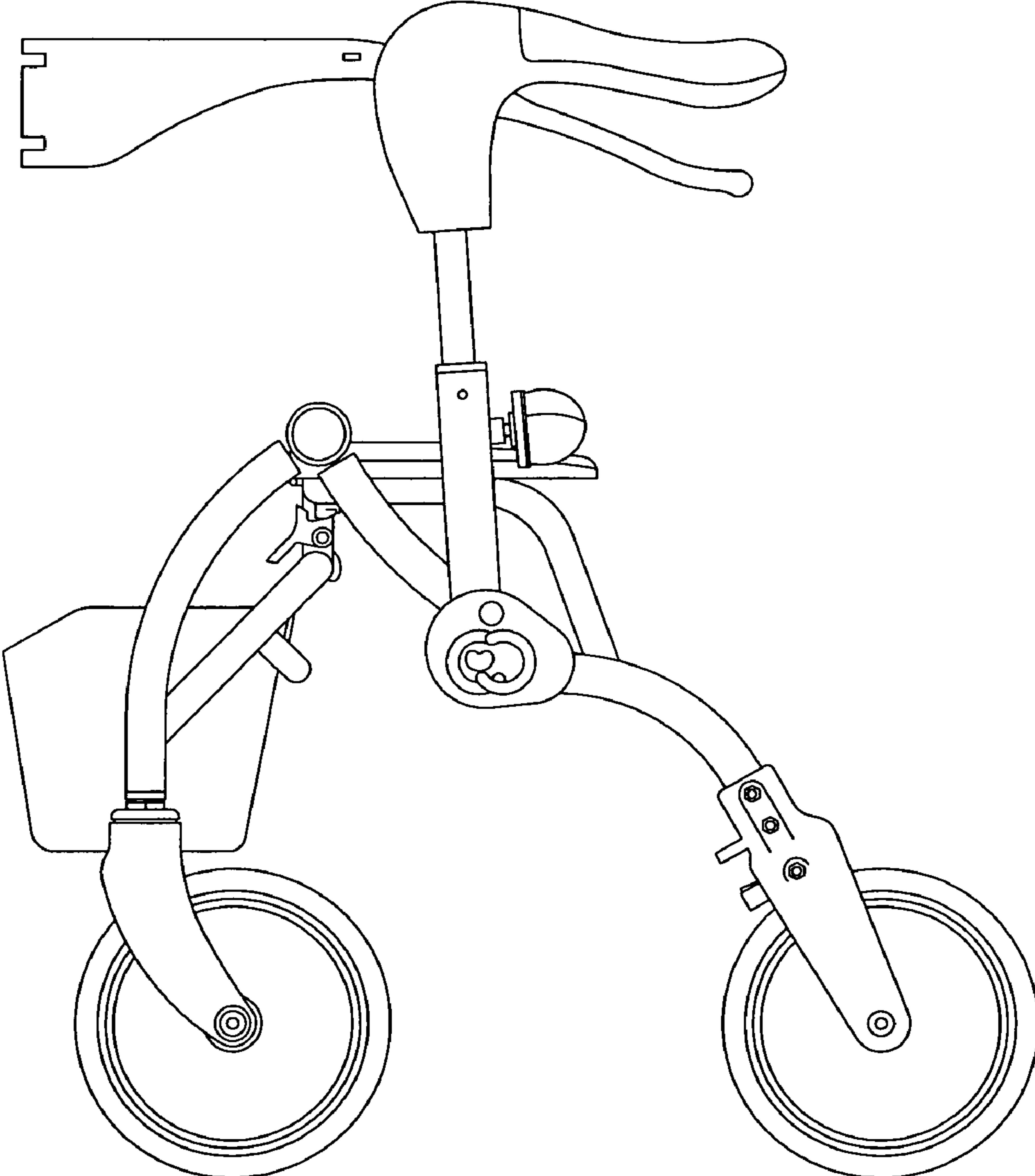


FIG. 5

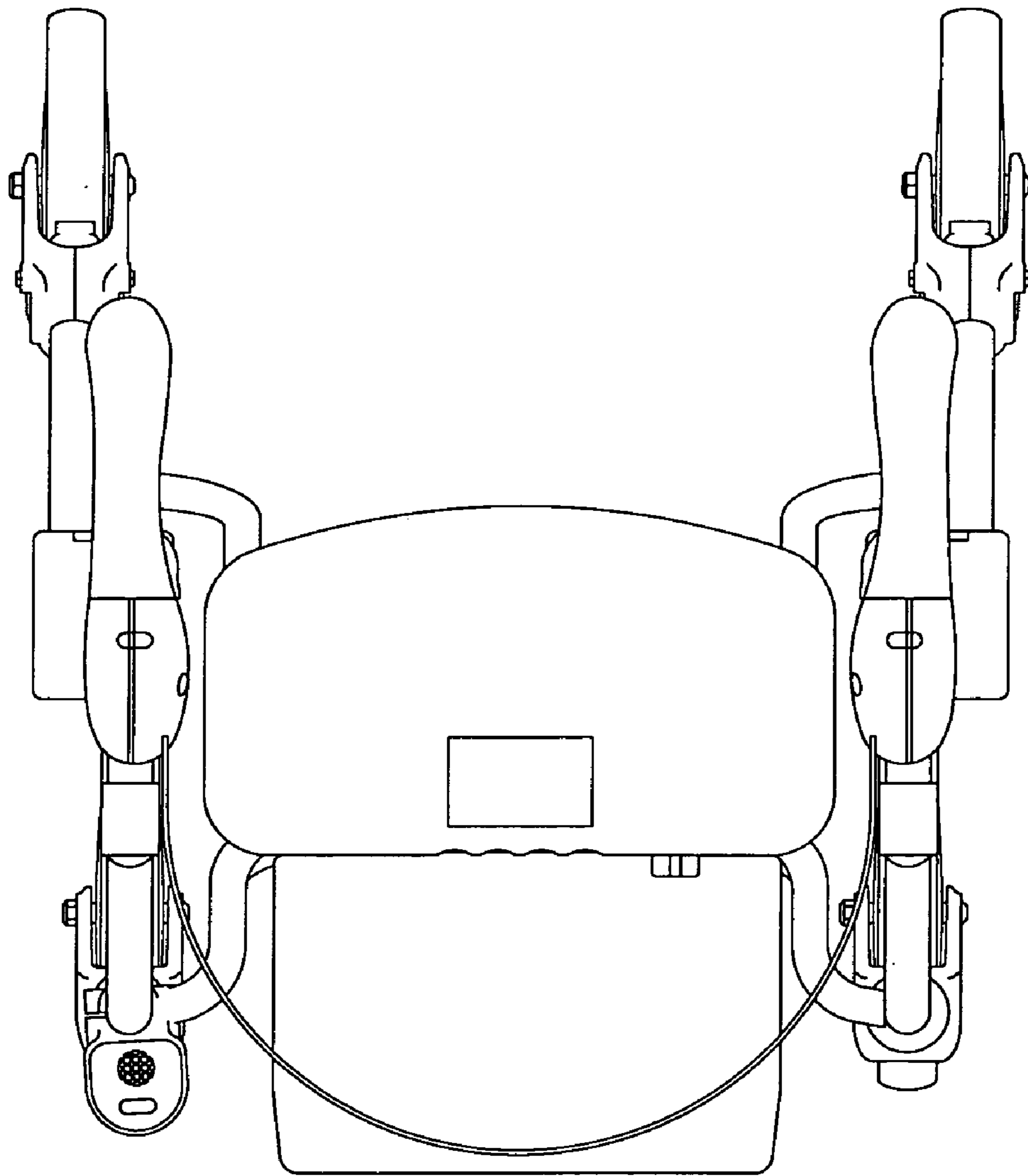


FIG. 6

