



US00D564948S

(12) **United States Design Patent**
Liu

(10) **Patent No.:** **US D564,948 S**
(45) **Date of Patent:** **** Mar. 25, 2008**

(54) **TANDEM JOGGING STROLLER**

(76) Inventor: **Cheh-Kang Liu**, 5F., No. 41, Alley 3,
Lane 91, Sec. 4, Pa Te Rd., Taipei
(TW)

(**) Term: **14 Years**

(21) Appl. No.: **29/262,946**

(22) Filed: **Jul. 14, 2006**

(51) **LOC (8) Cl.** **12-12**

(52) **U.S. Cl.** **D12/129**

(58) **Field of Classification Search** D12/128-133;
296/65.03, 65.04; 224/409; 297/DIG. 4;
280/62, 647-650, 29, 200, 47.38, 250.1,
280/259, 642, 658

See application file for complete search history.

(56) **References Cited**

U.S. PATENT DOCUMENTS

- 5,263,730 A * 11/1993 Roach et al. 280/47.4
- 5,263,732 A * 11/1993 Harmeyer 280/288.1
- D442,895 S * 5/2001 Chiu D12/129
- D463,762 S * 10/2002 Everett D12/129
- D475,951 S * 6/2003 Everett D12/129
- D481,976 S * 11/2003 Everett D12/129

- D497,844 S * 11/2004 Chou et al. D12/129
- 6,886,839 B2 * 5/2005 Everett 280/62
- D506,418 S * 6/2005 Liao D12/129
- D514,036 S * 1/2006 Fox et al. D12/129
- D520,415 S * 5/2006 Liu D12/129

* cited by examiner

Primary Examiner—Charles A. Rademaker

Assistant Examiner—Charles D Hanson

(74) *Attorney, Agent, or Firm*—Troxell Law Office, PLLC

(57) **CLAIM**

The ornamental design for tandem jogging stroller, as shown and described.

DESCRIPTION

FIG. 1 is a perspective view of a tandem jogging stroller showing my new design;

FIG. 2 is a front elevational view thereof;

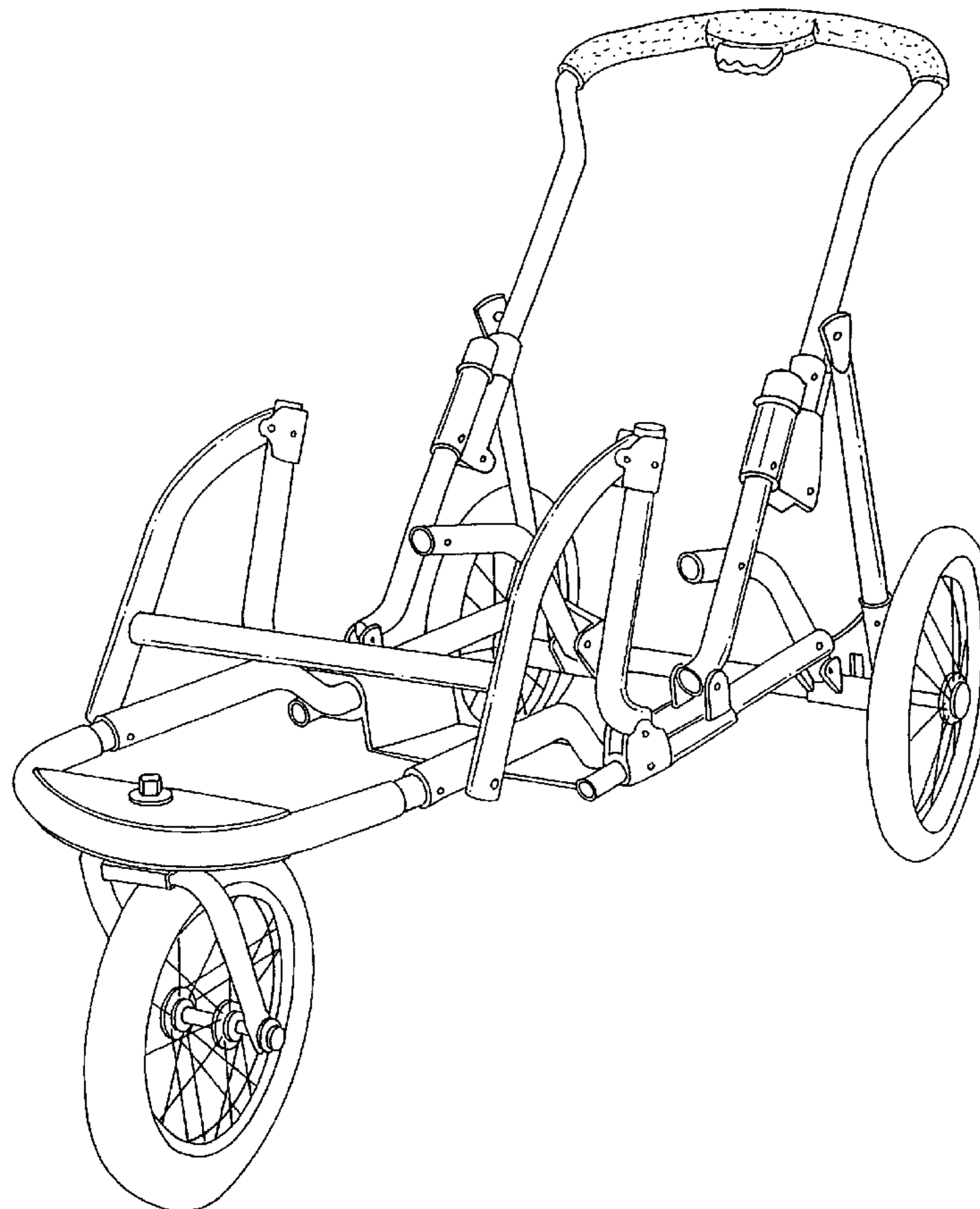
FIG. 3 is a rear elevational view thereof;

FIG. 4 is a top plan view thereof;

FIG. 5 is a bottom plan view thereof; and,

FIG. 6 is a left side elevational view thereof, the right side being a mirror image.

1 Claim, 6 Drawing Sheets



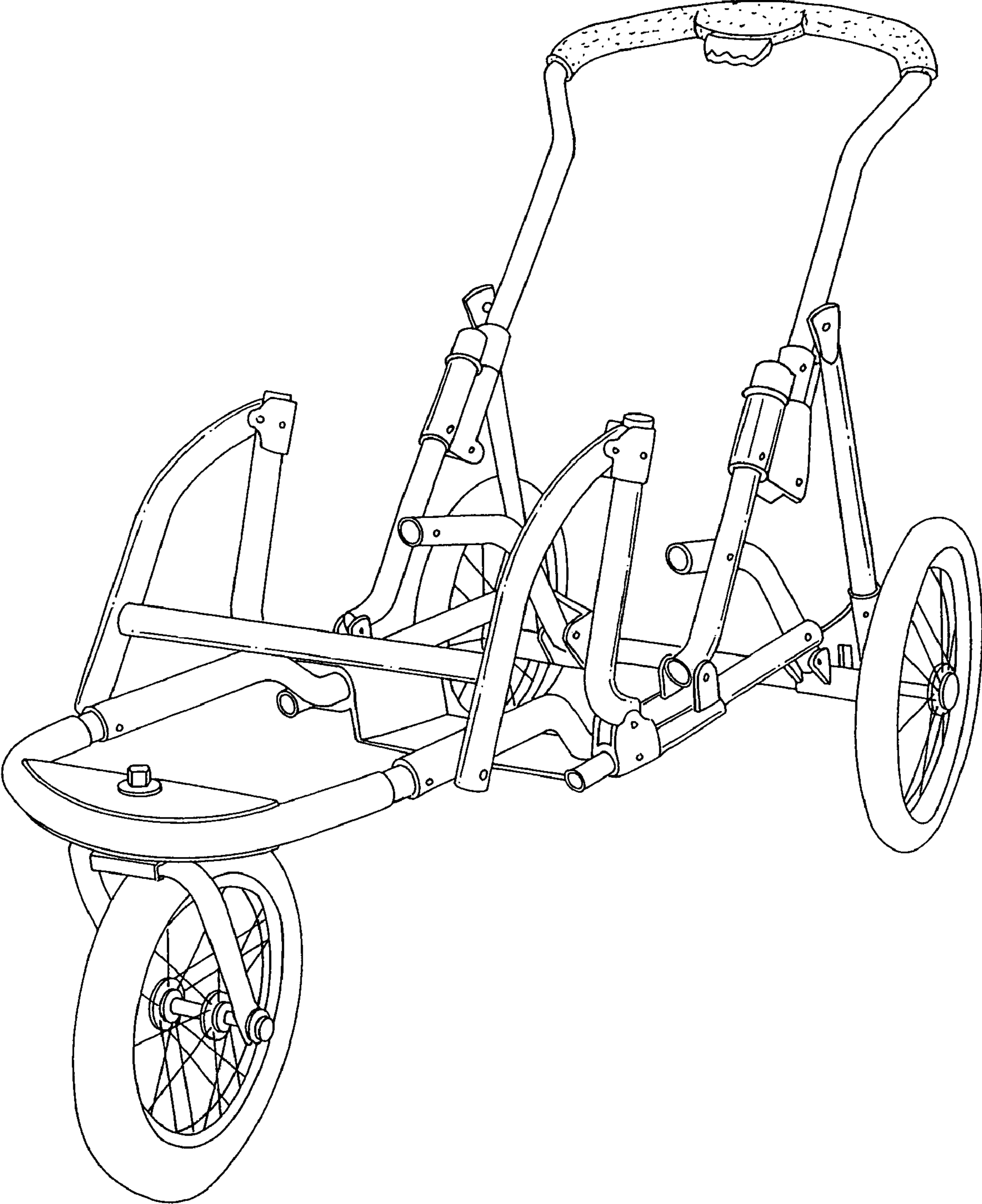


Fig.1

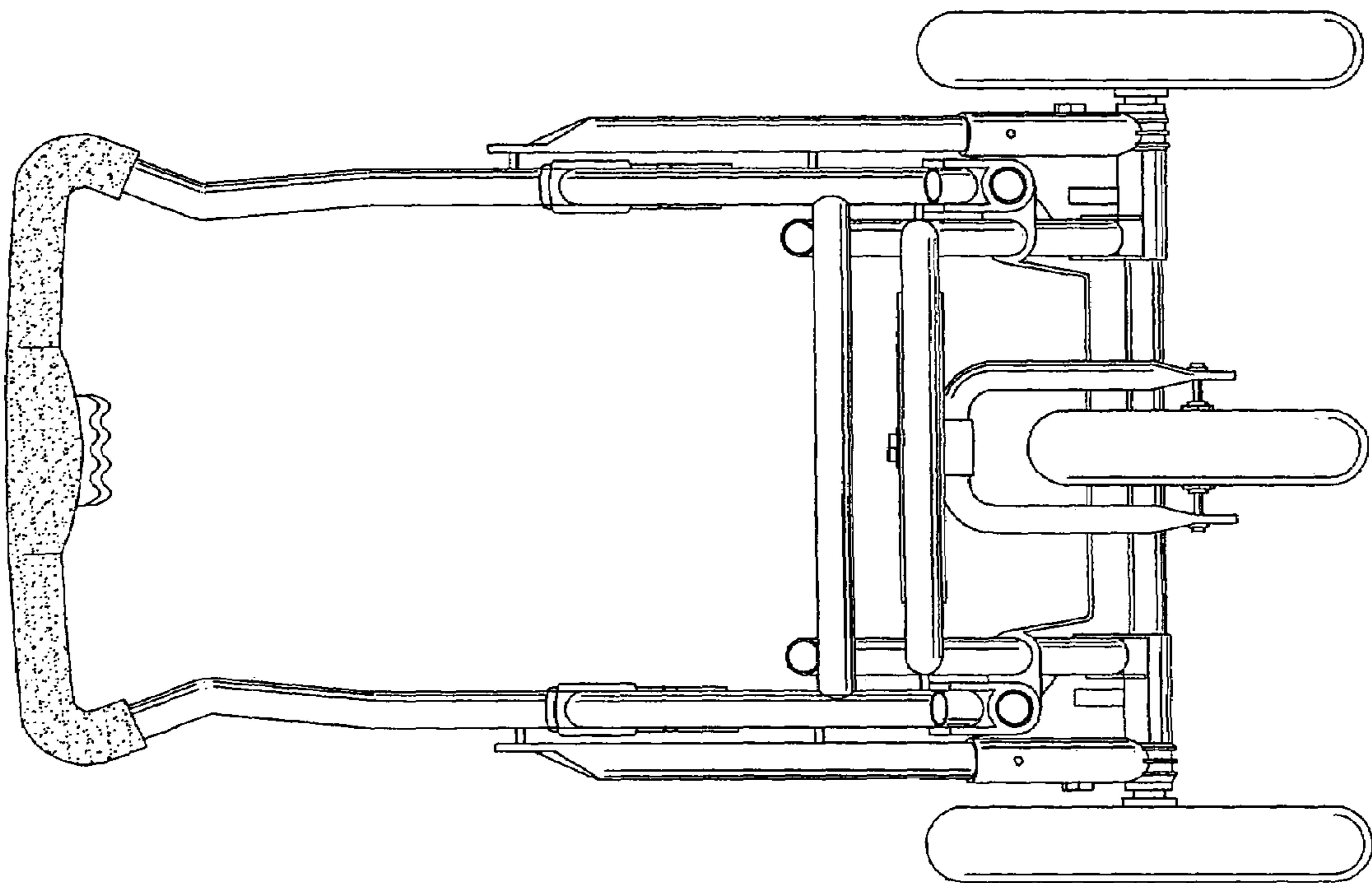


Fig. 2

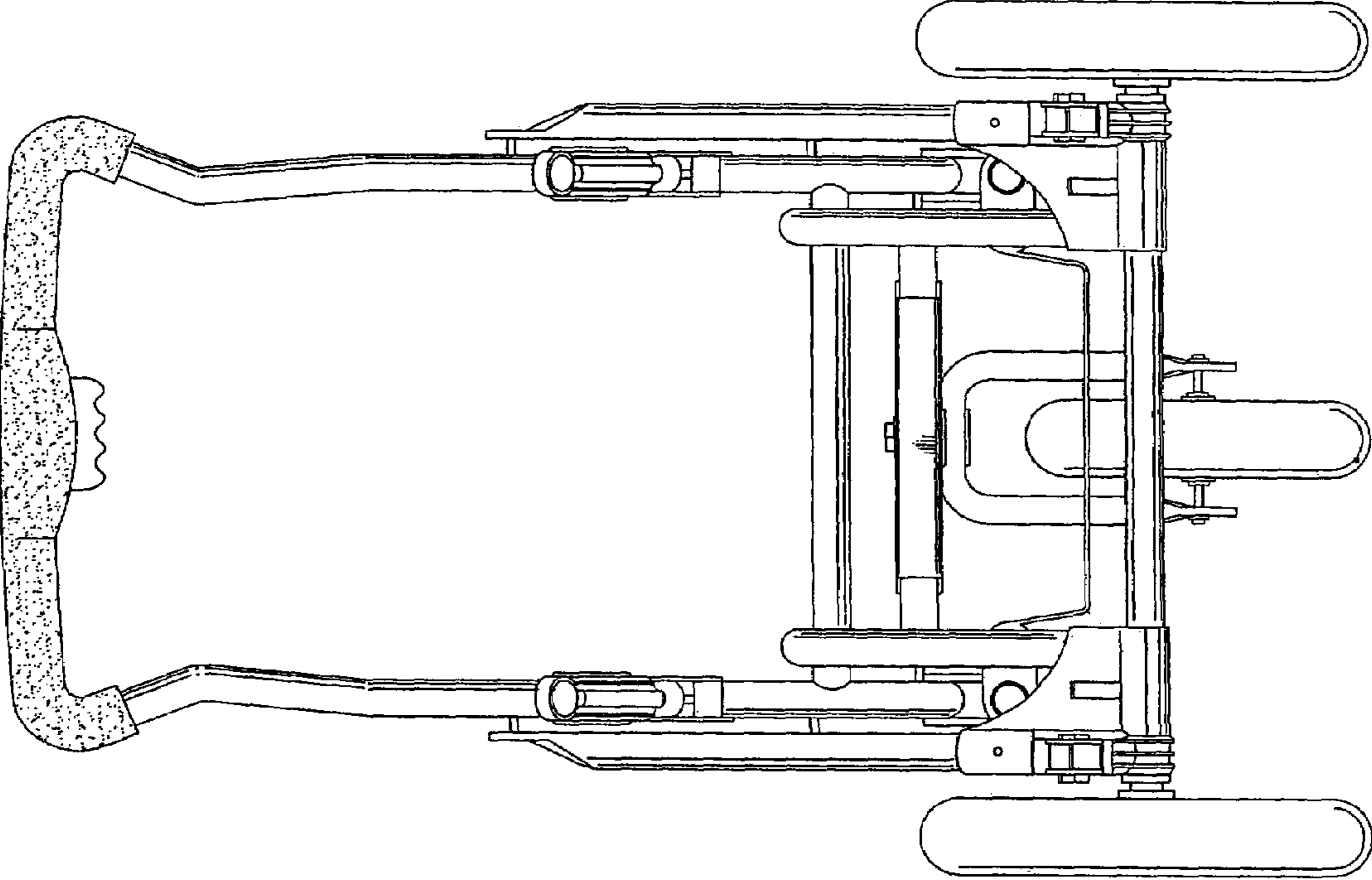


FIG. 3

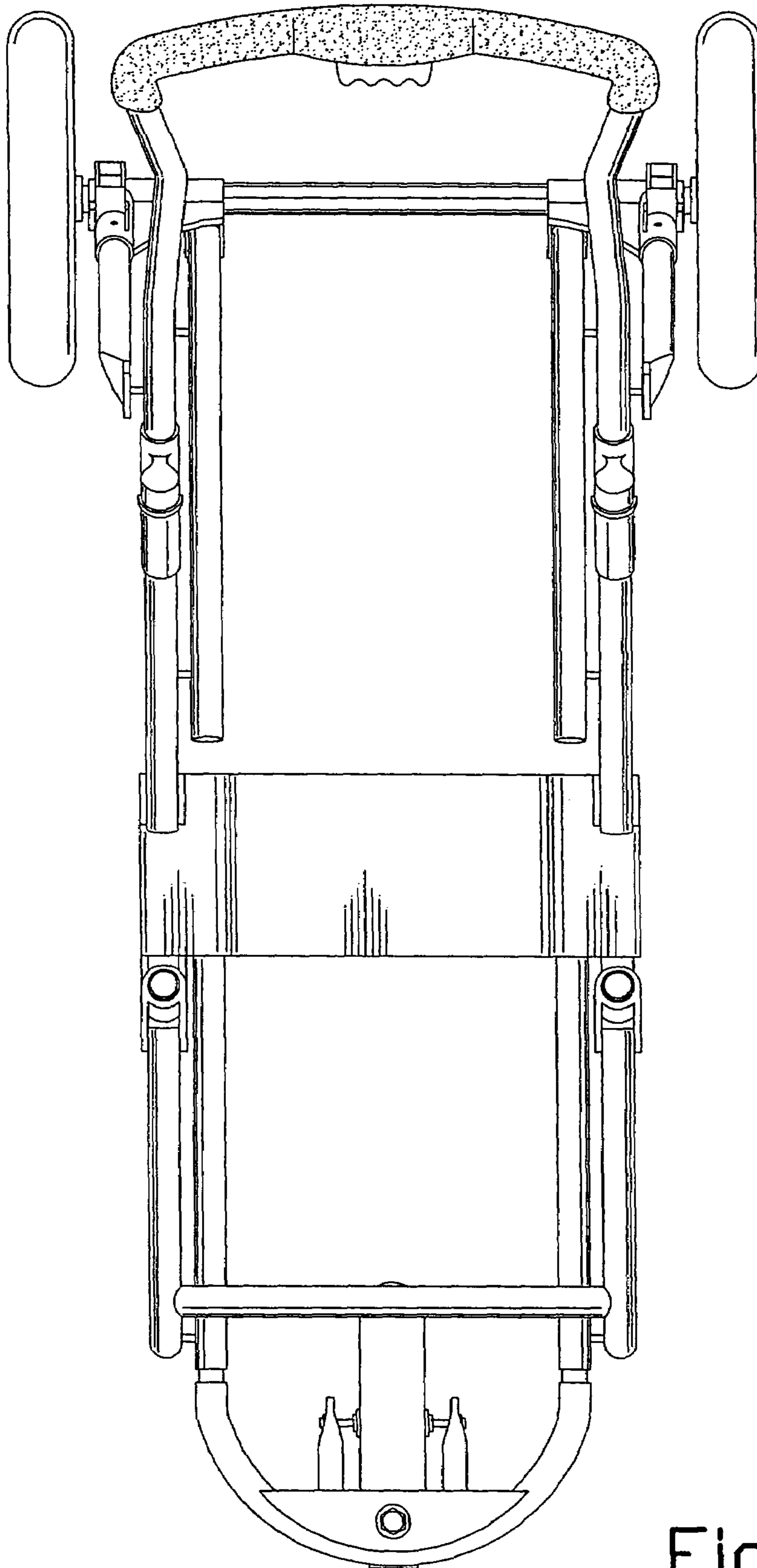


Fig.4

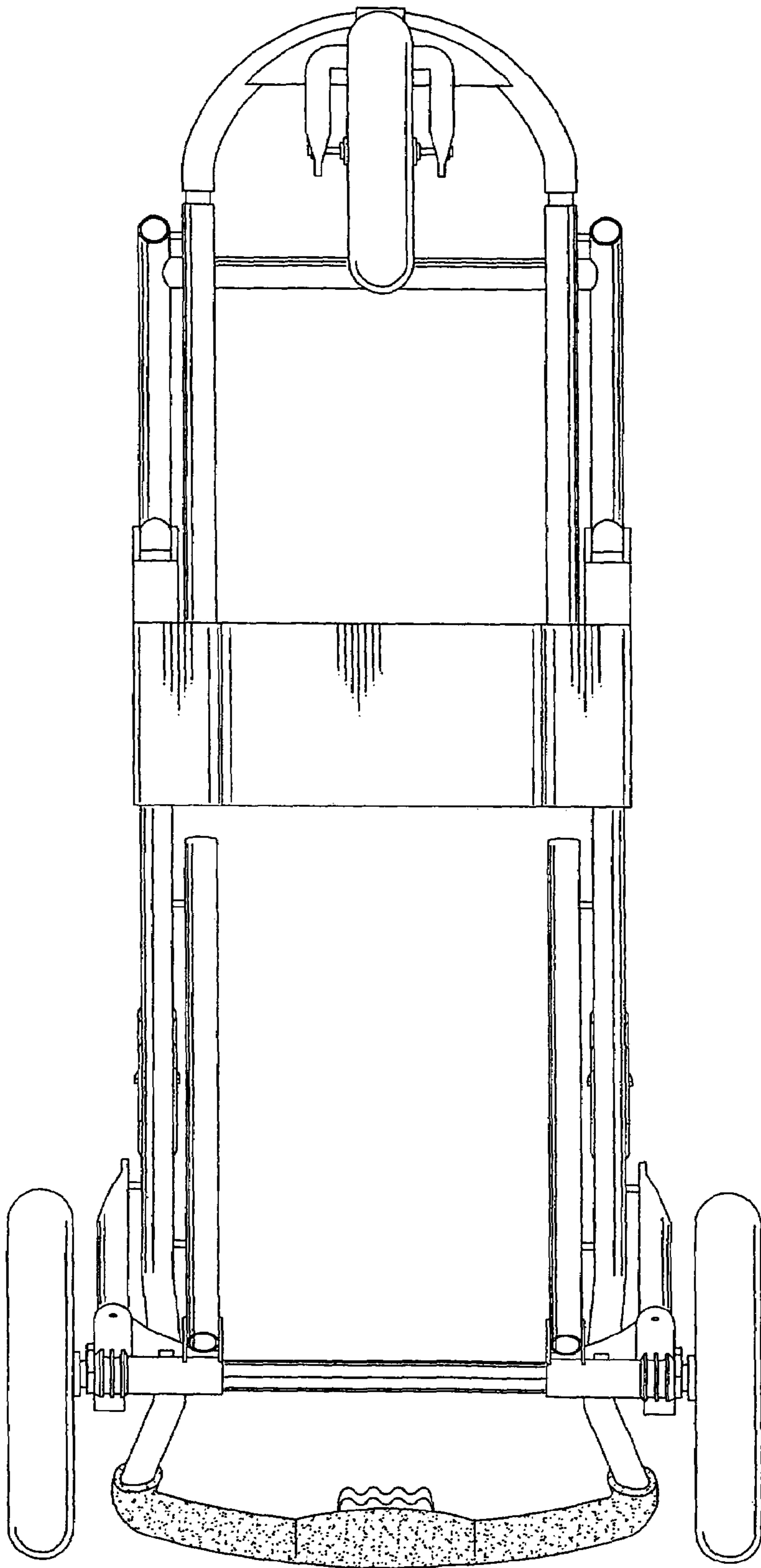


Fig.5

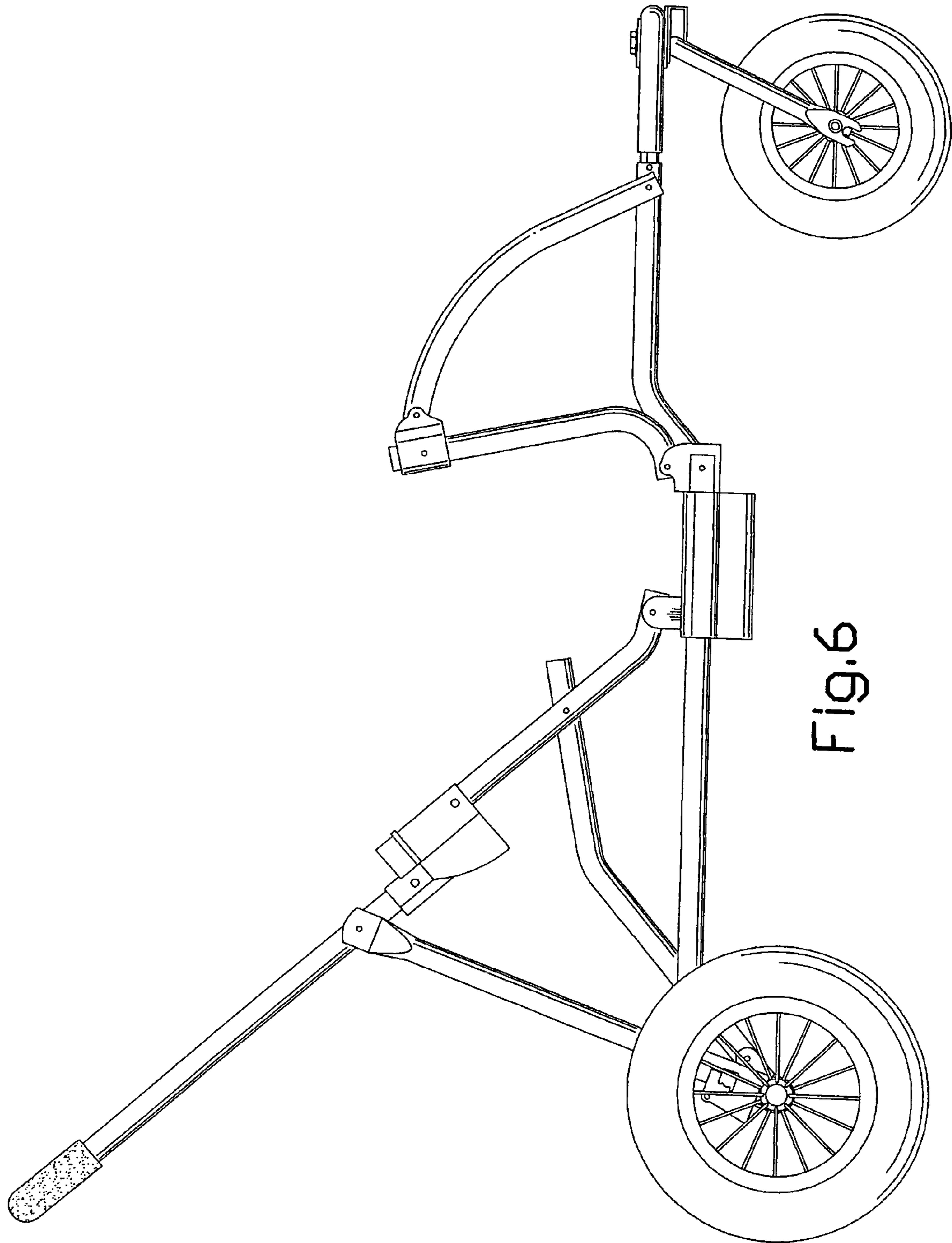


FIG. 6