

US00D564946S

(12) **United States Design Patent**  
**Kruger et al.**

(10) **Patent No.:** **US D564,946 S**  
(45) **Date of Patent:** **\*\* Mar. 25, 2008**

(54) **AUTOMOBILE BODY**

(75) Inventors: **Scott M. Kruger**, Macomb, MI (US);  
**Irina Zavatski**, Rochester Hills, MI  
(US); **Dennis Myles**, West Bloomfield,  
MI (US)

(73) Assignee: **Chrysler LLC**, Auburn Hills, MI (US)

(\*\*) Term: **14 Years**

(21) Appl. No.: **29/280,047**

(22) Filed: **May 15, 2007**

**Related U.S. Application Data**

(63) Continuation of application No. 29/248,214, filed on  
Aug. 3, 2006.

(51) **LOC (8) Cl.** ..... **12-08**

(52) **U.S. Cl.** ..... **D12/98**

(58) **Field of Classification Search** ..... D12/98,  
D12/93; 296/181.2, 181.3

See application file for complete search history.

(56) **References Cited**

**U.S. PATENT DOCUMENTS**

D430,068 S \* 8/2000 Castiglione et al. .... D12/98  
D466,451 S \* 12/2002 Trostle et al. .... D12/98  
D503,659 S \* 4/2005 Matsumoto et al. .... D12/98

D508,440 S \* 8/2005 Hall et al. .... D12/98  
D516,957 S \* 3/2006 O'Connell et al. .... D12/98  
D536,644 S \* 2/2007 Shimoguchi et al. .... D12/98  
D537,385 S \* 2/2007 Shimoguchi et al. .... D12/98  
D543,489 S \* 5/2007 Gunby ..... D12/98

\* cited by examiner

*Primary Examiner*—Melody N. Brown

(74) *Attorney, Agent, or Firm*—Ralph E. Smith

(57) **CLAIM**

The ornamental design for an automobile body, as shown  
and described.

**DESCRIPTION**

FIG. 1 is a front perspective view of an automobile body  
showing our new design;

FIG. 2 is a side view thereof;

FIG. 3 is a front view thereof;

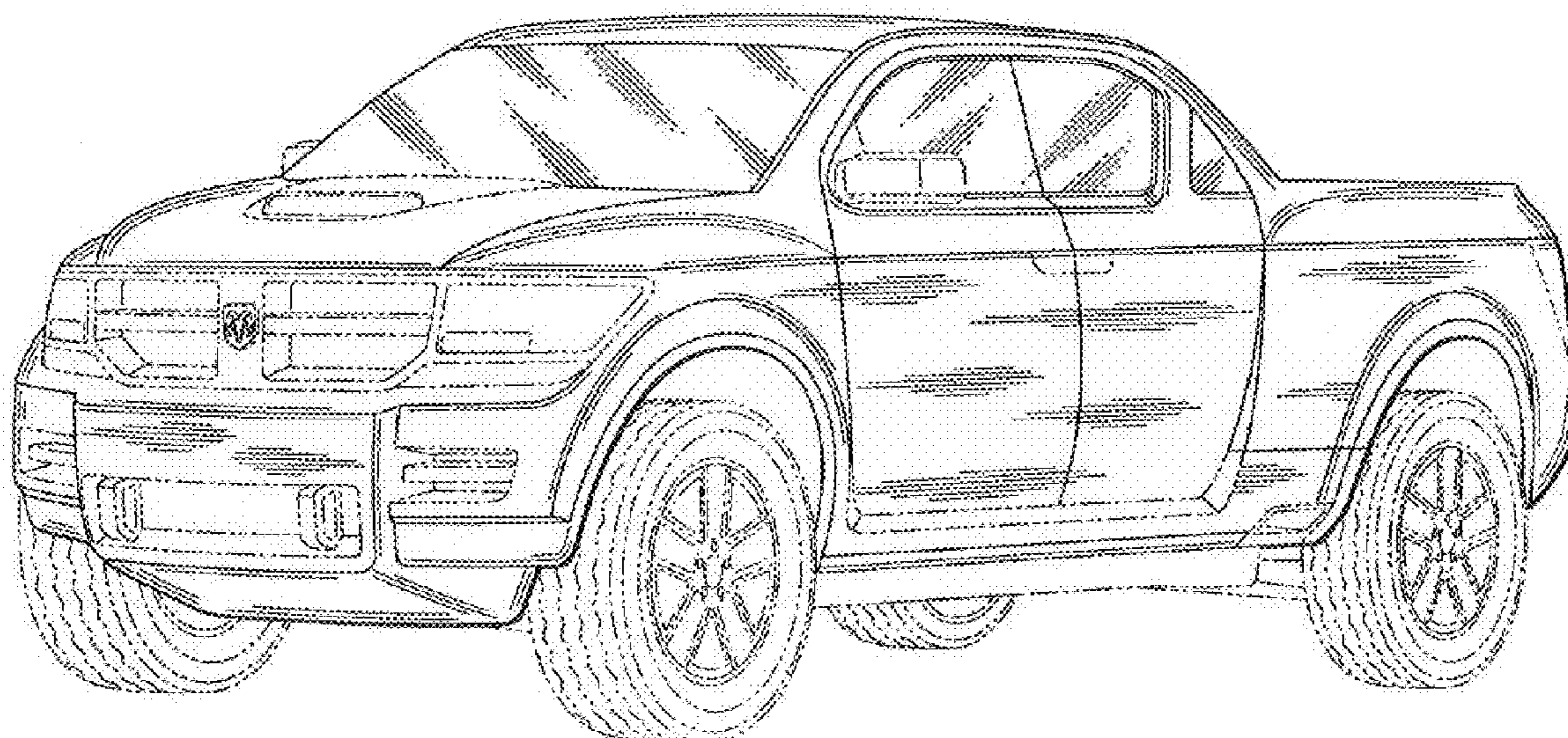
FIG. 4 is a rear view thereof;

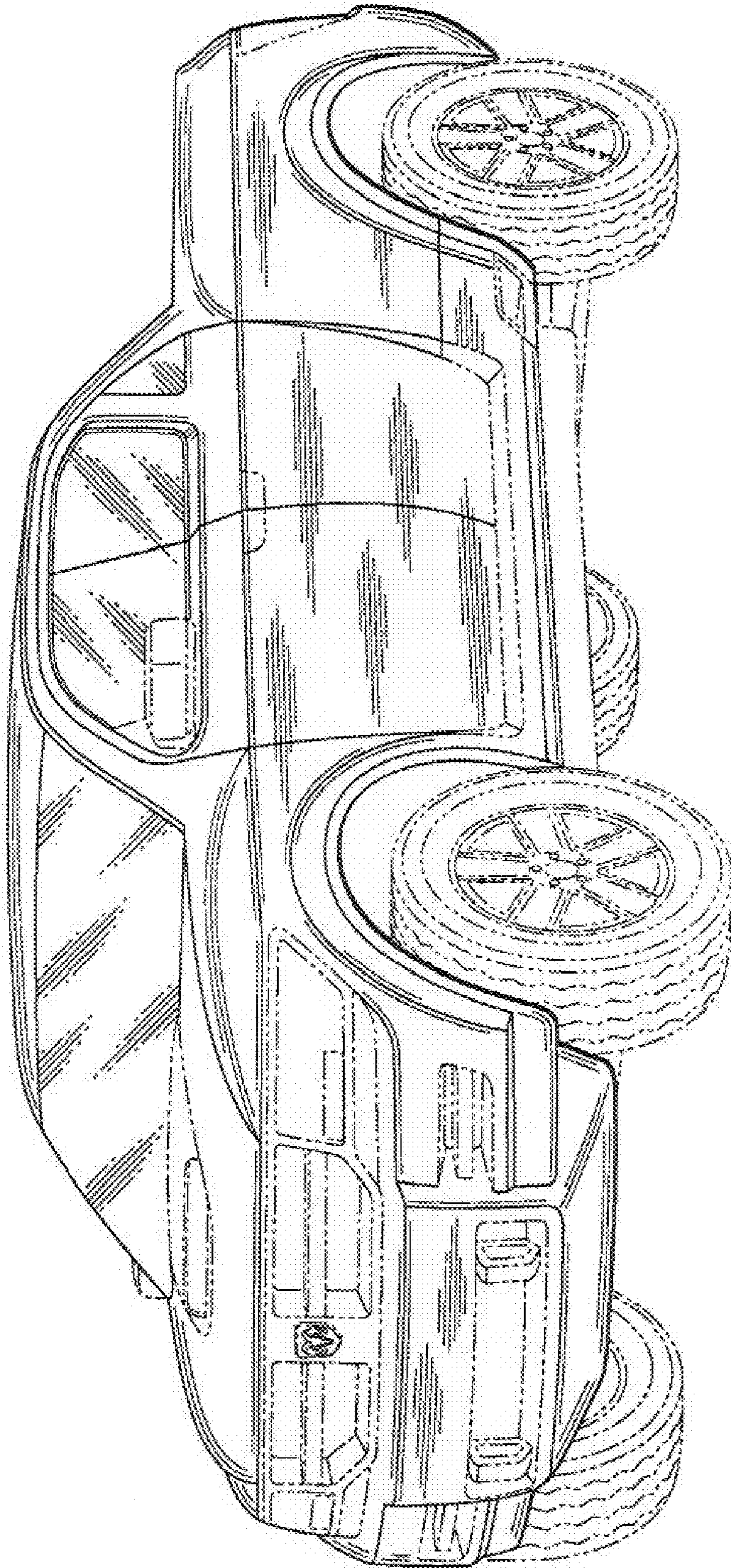
FIG. 5 is a rear perspective view thereof; and,

FIG. 6 is a top plan view thereof.

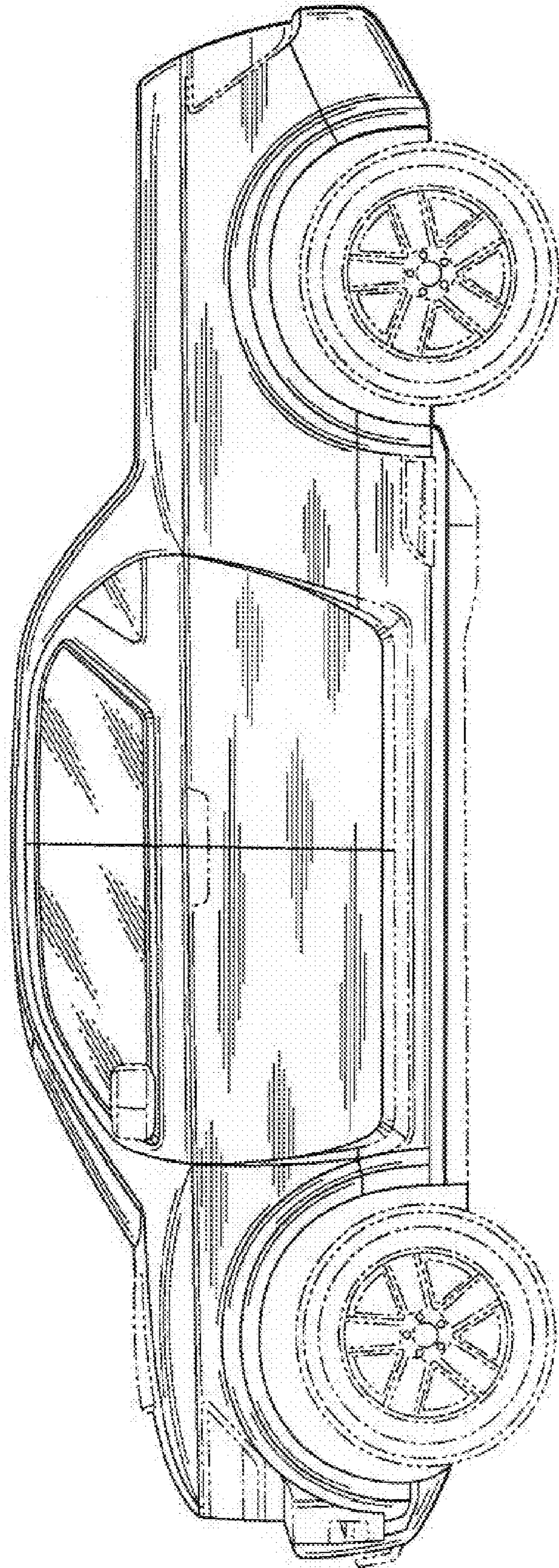
It will be understood that the broken lines presented in the  
drawings are for illustration only, and do not form a part of  
the claimed design.

**1 Claim, 5 Drawing Sheets**

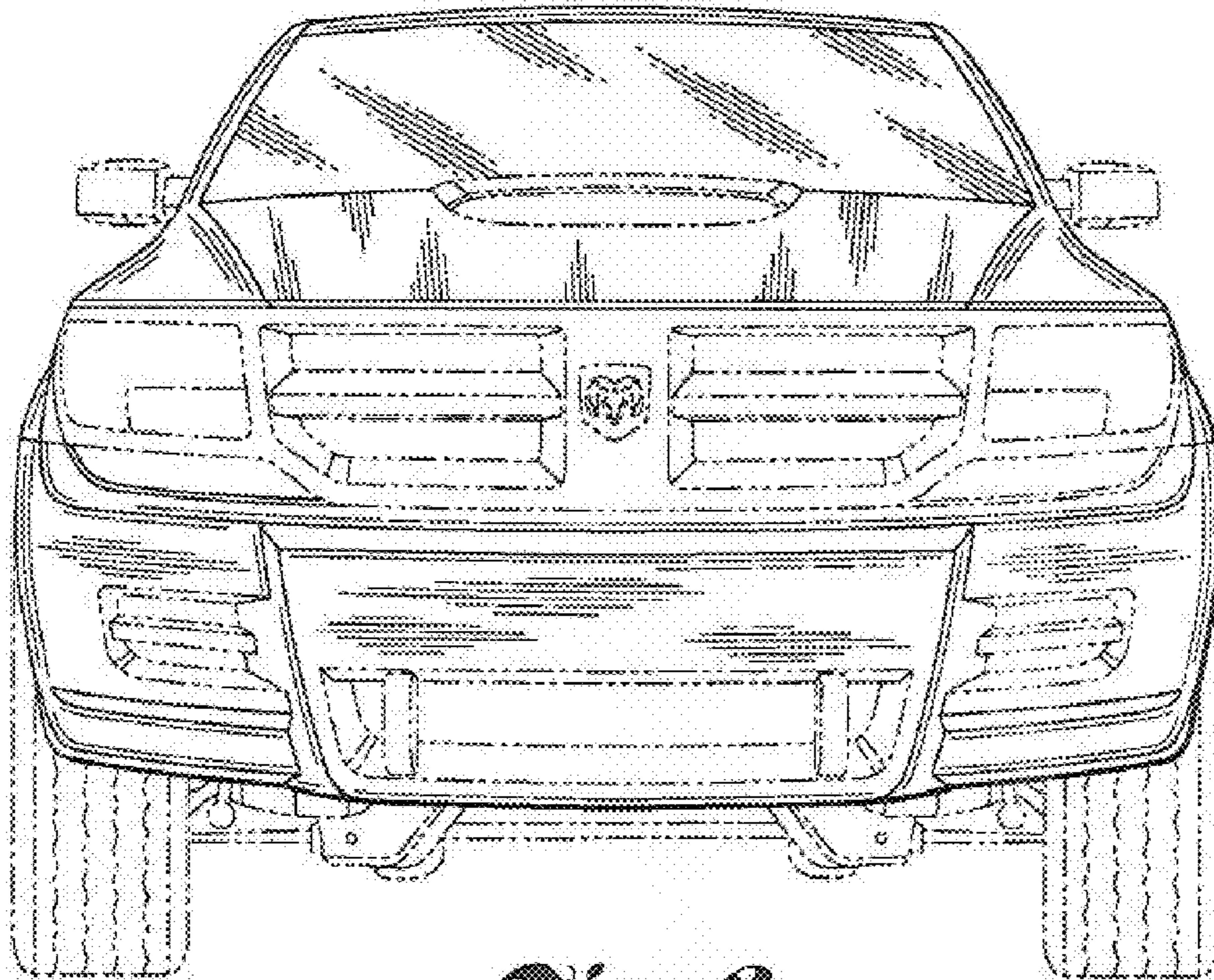




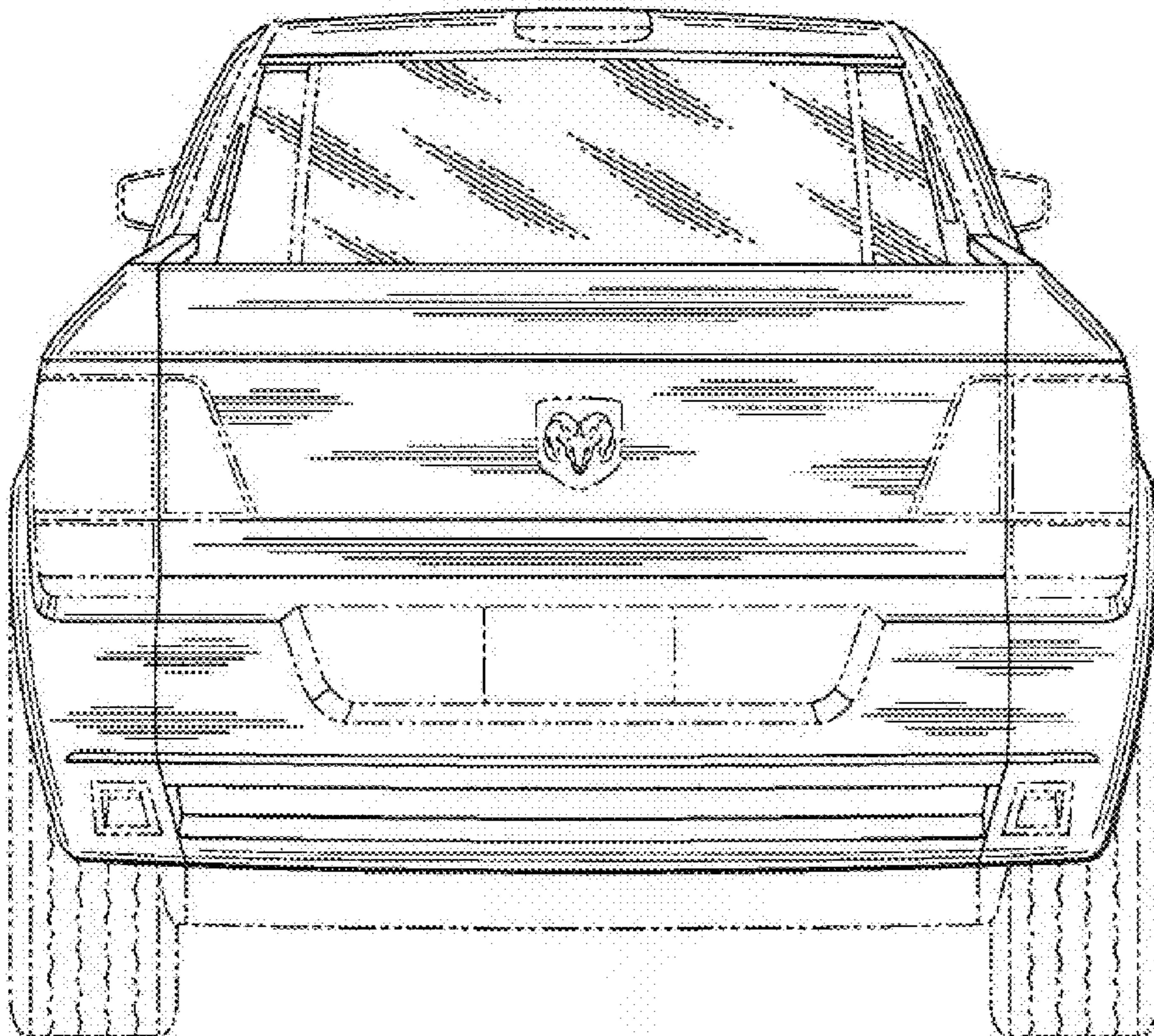
*Fig. 1*



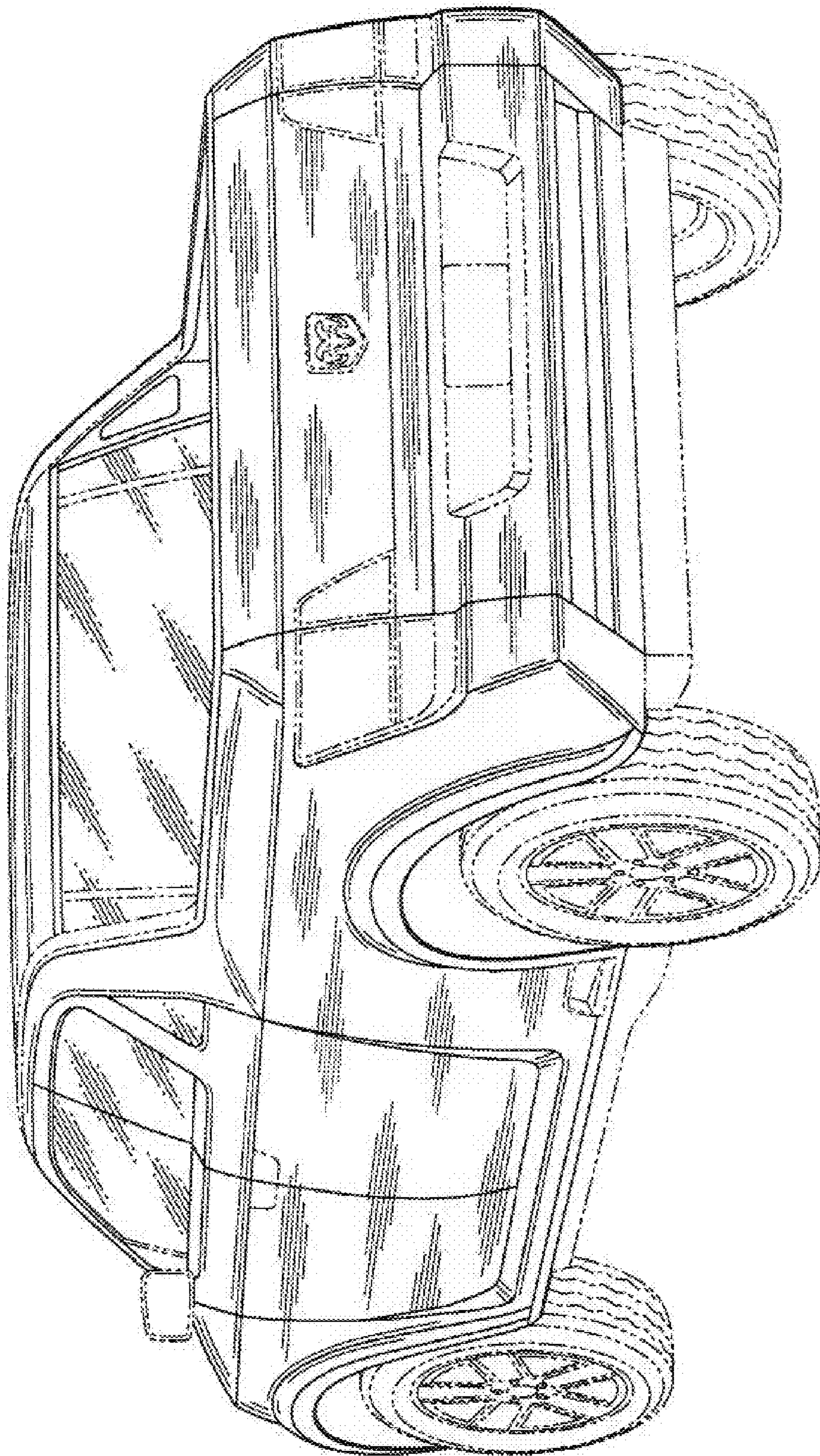
*Fig. 2*



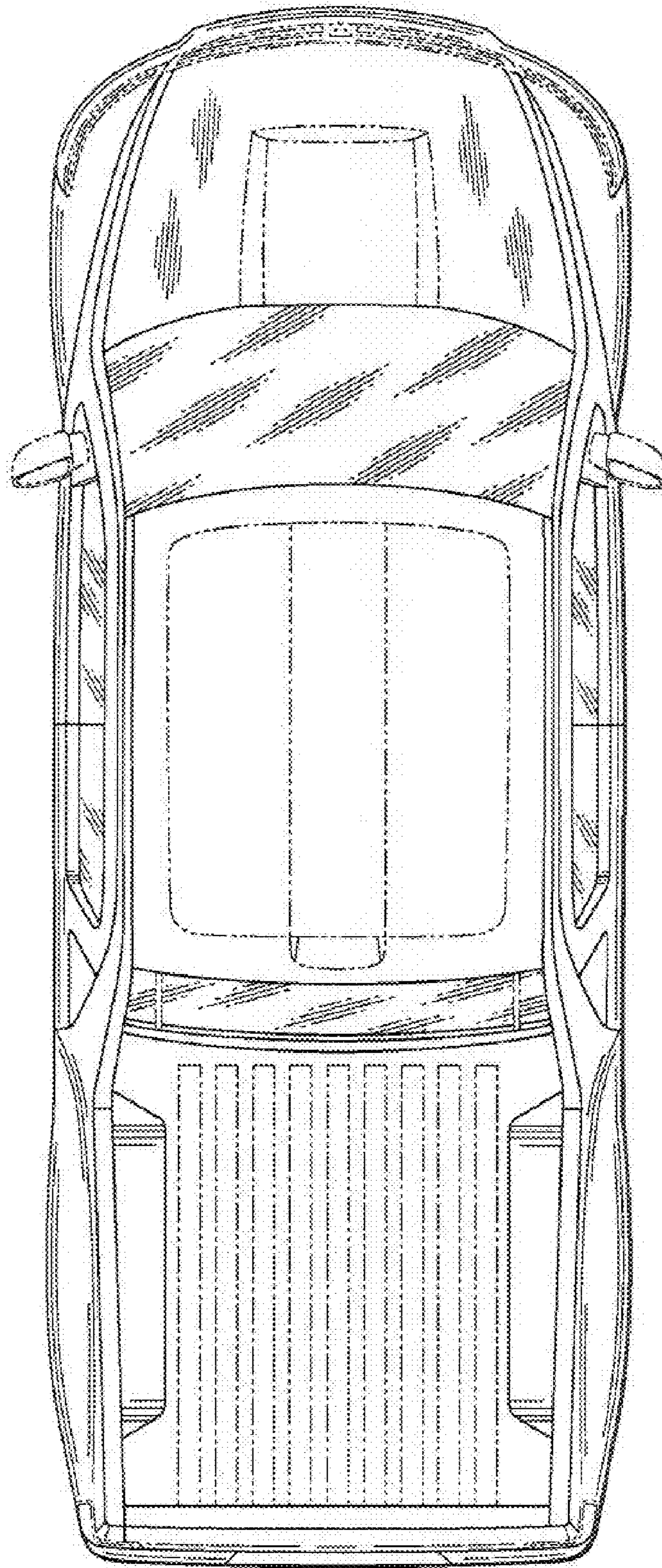
*Fig. 3*



*Fig. 4*



*Fig. 5*



*Fig. 6*