



US00D564944S

(12) **United States Design Patent**  
**Barrington et al.**

(10) **Patent No.:** **US D564,944 S**  
(45) **Date of Patent:** **\*\* Mar. 25, 2008**

(54) **AUTOMOBILE BODY**

(75) Inventors: **Alan R. Barrington**, San Marcos, CA (US); **John C. Sodano**, Carlsbad, CA (US); **Kevin R. Verduyn**, Carlsbad, CA (US); **Michael R. Castiglione**, Carlsbad, CA (US)

(73) Assignee: **Chrysler LLC**, Auburn Hills, MI (US)

(\*\*) Term: **14 Years**

(21) Appl. No.: **29/283,146**

(22) Filed: **Aug. 7, 2007**

**Related U.S. Application Data**

(63) Continuation of application No. 29/250,613, filed on Nov. 22, 2006, now Pat. No. Des. 553,050.

(51) **LOC (8) Cl.** ..... **12-08**

(52) **U.S. Cl.** ..... **D12/92**

(58) **Field of Classification Search** ..... D12/90-92, D12/86, 88; D21/424, 433; 296/181.1, 181.5  
See application file for complete search history.

(56) **References Cited**

**U.S. PATENT DOCUMENTS**

D479,492 S \* 9/2003 Gale et al. .... D12/91

D489,648 S \* 5/2004 Gale et al. .... D12/92  
D519,879 S \* 5/2006 Cartabiano ..... D12/91  
D540,215 S \* 4/2007 Date et al. .... D12/91  
D553,050 S \* 10/2007 Barrington et al. .... D12/91

\* cited by examiner

*Primary Examiner*—Melody N. Brown

(74) *Attorney, Agent, or Firm*—Ralph E. Smith

(57) **CLAIM**

The ornamental design for an automobile body, as shown and described.

**DESCRIPTION**

FIG. 1 is a front perspective view of an automobile body showing our new design;

FIG. 2 is a side view thereof;

FIG. 3 is front side view thereof;

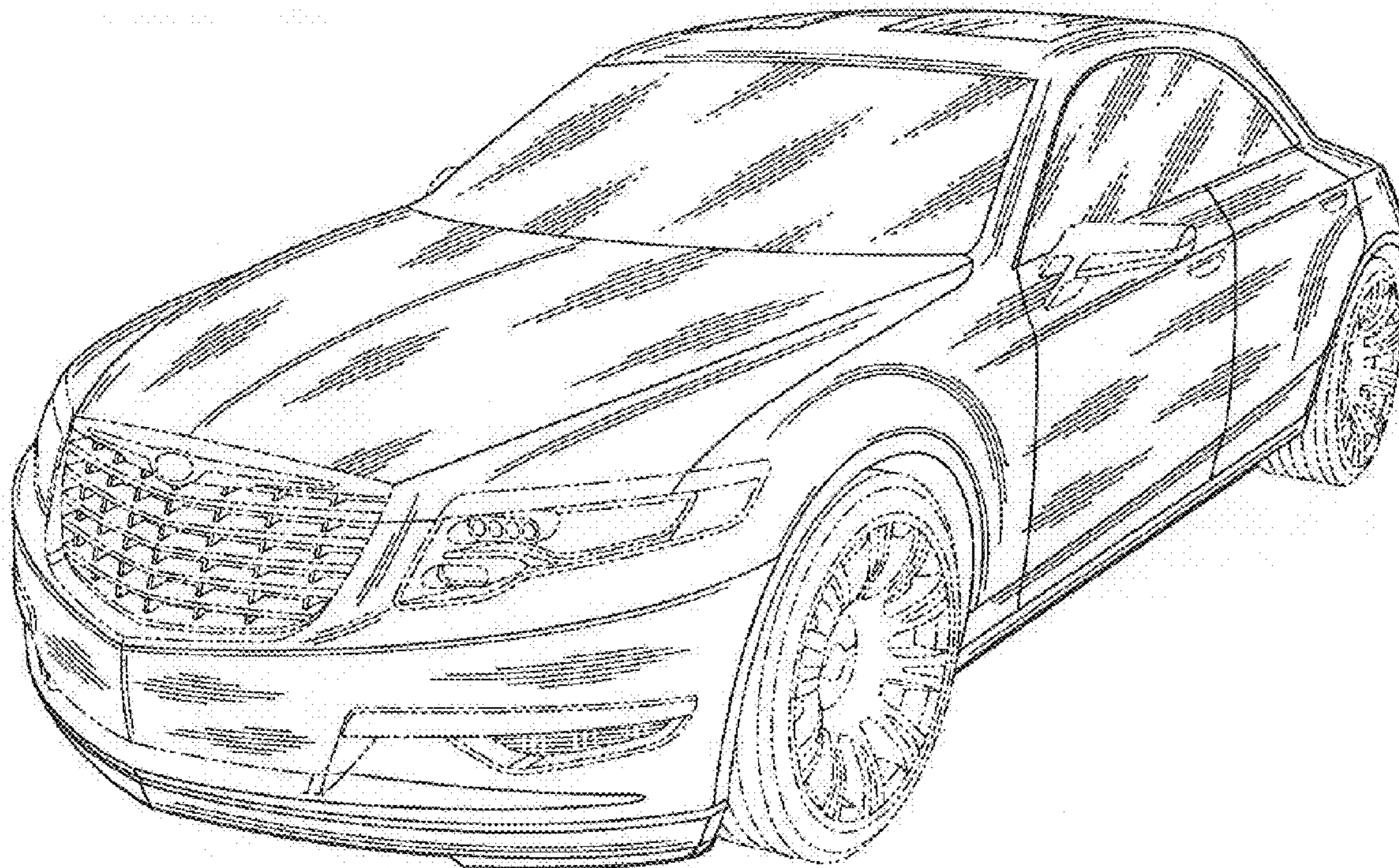
FIG. 4 is a rear view thereof;

FIG. 5 is a rear perspective view thereof; and,

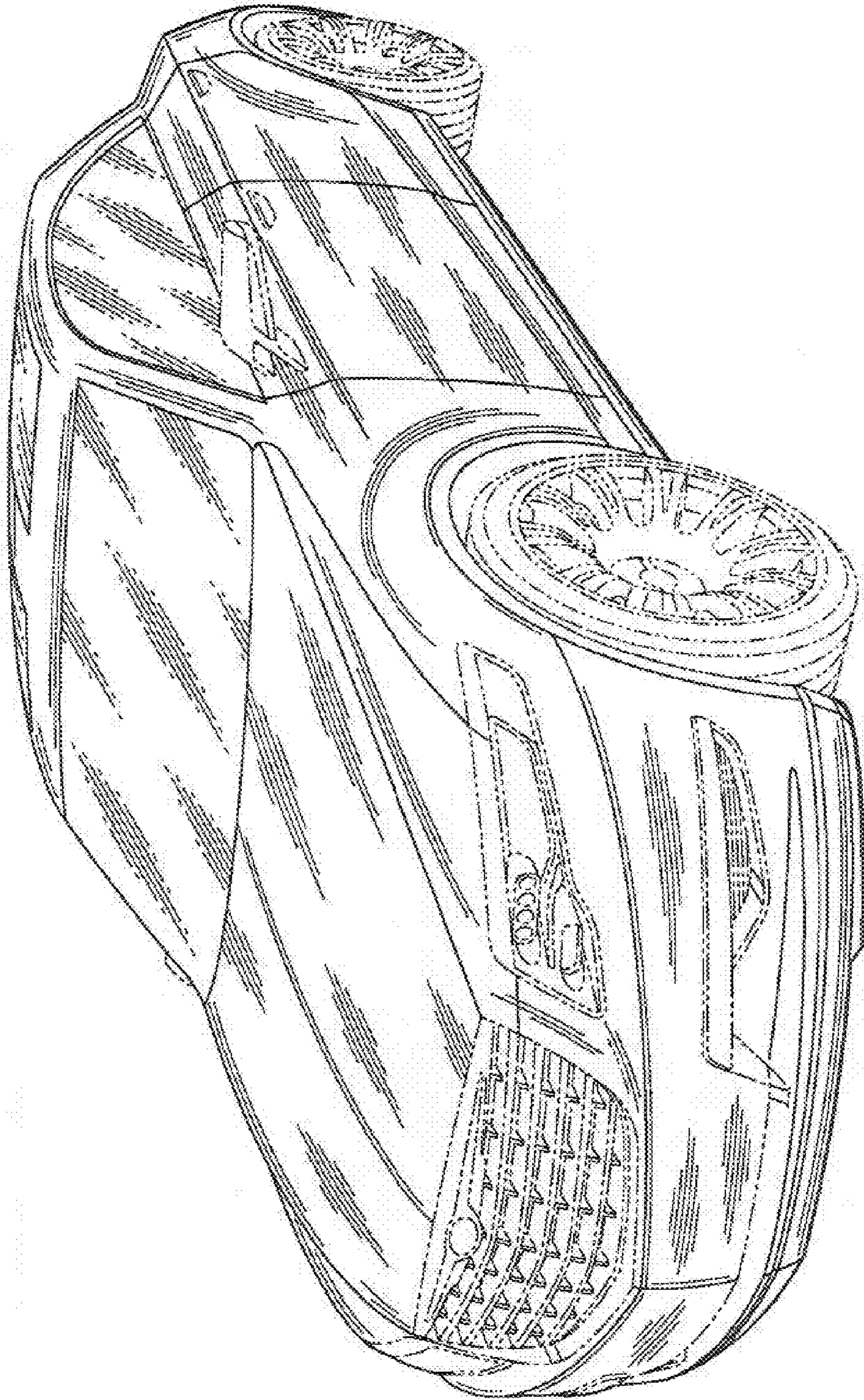
FIG. 6 is a top plan view thereof.

It will be understood that the broken lines presented in the drawings are for illustration only, and do not form a part of the claimed design.

**1 Claim, 5 Drawing Sheets**

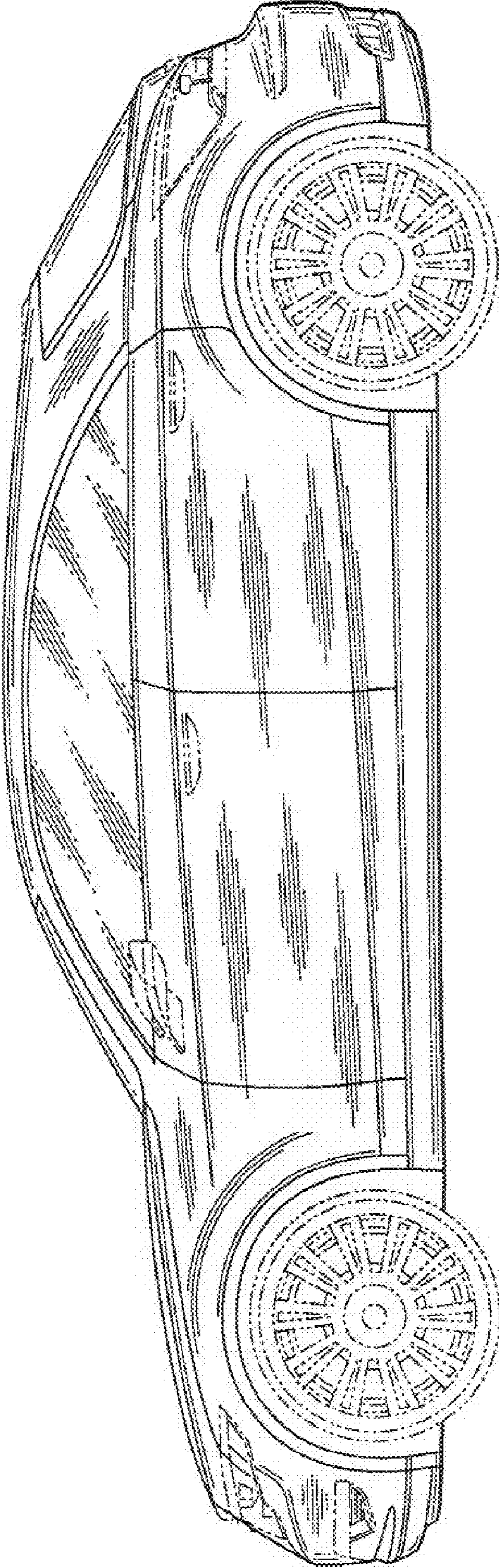






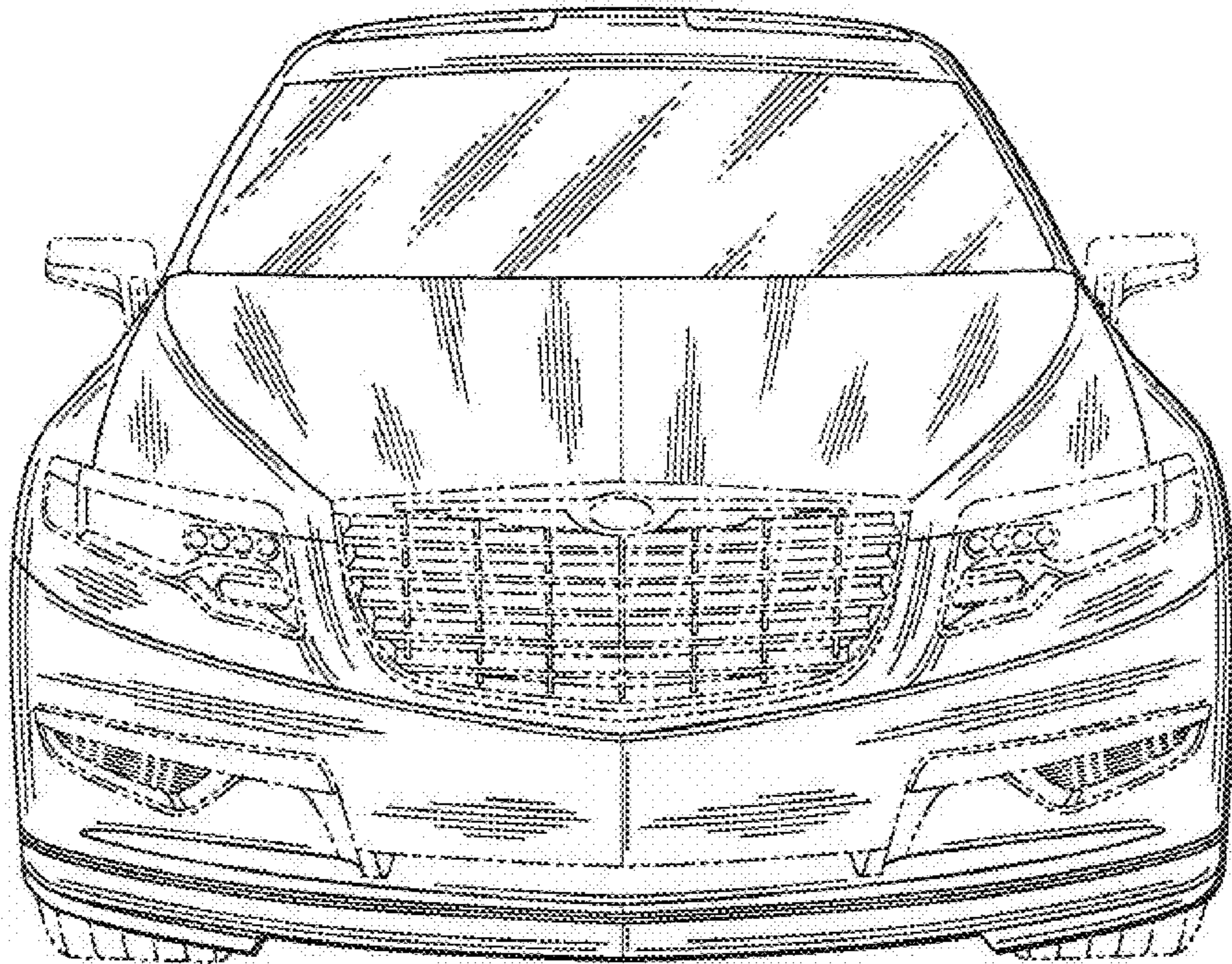
*Fig. 1*



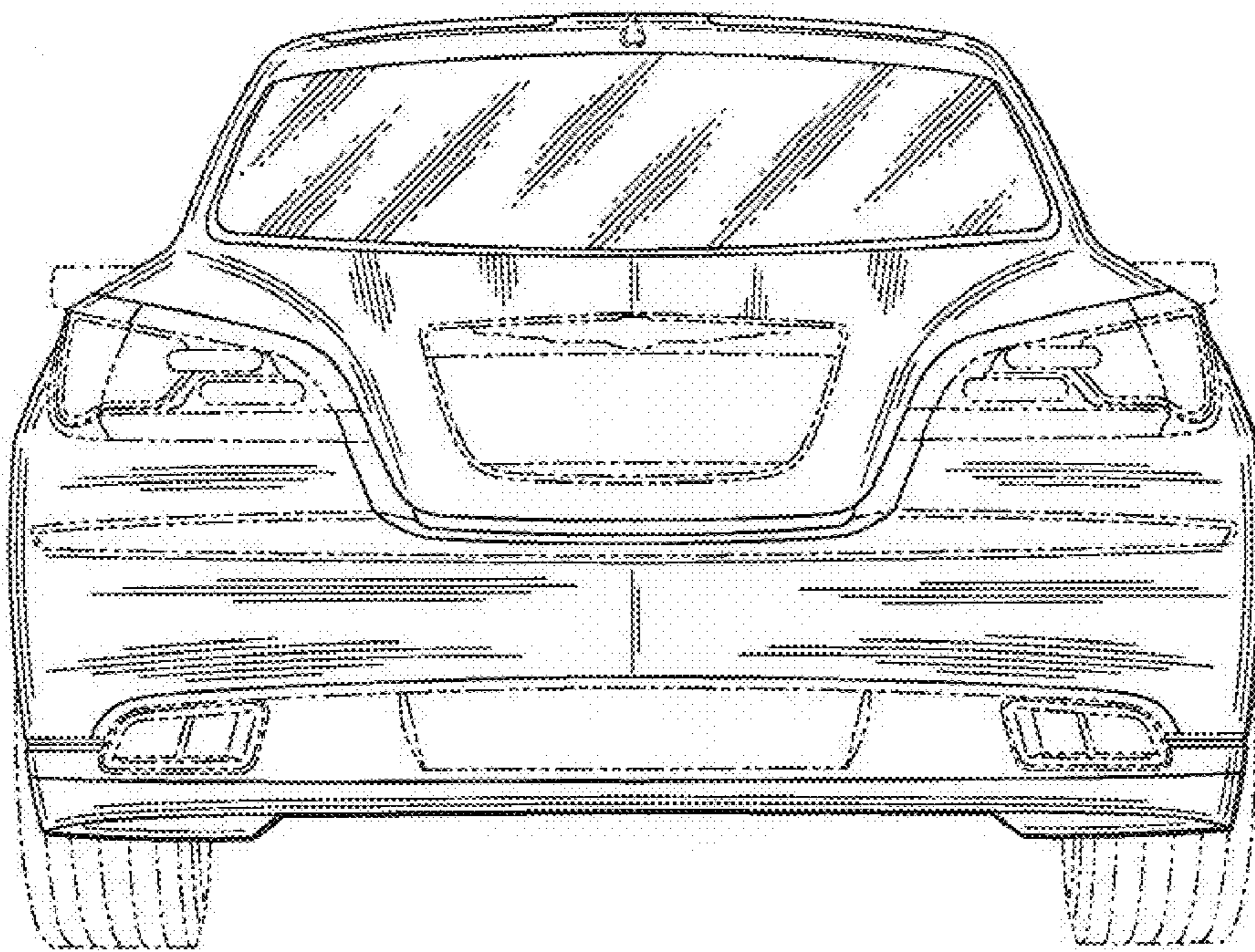


*Fig. 2*



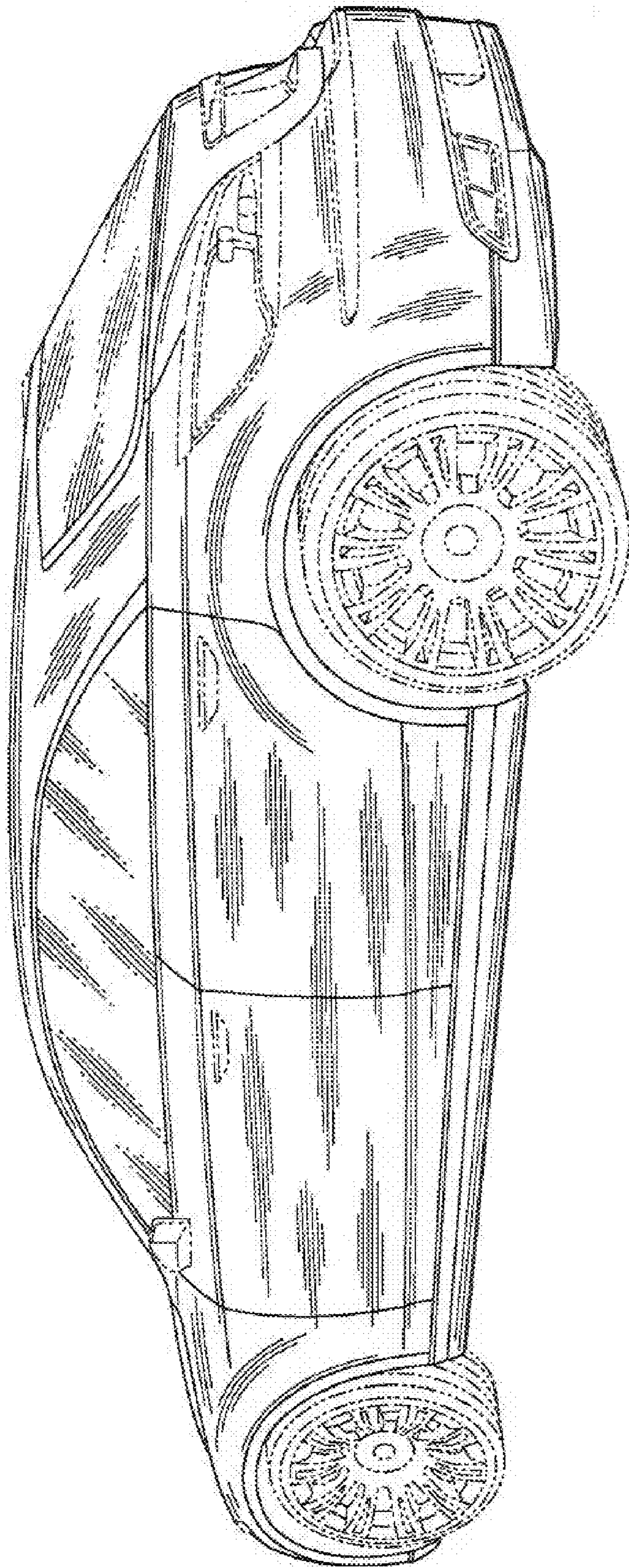


*Fig. 3*



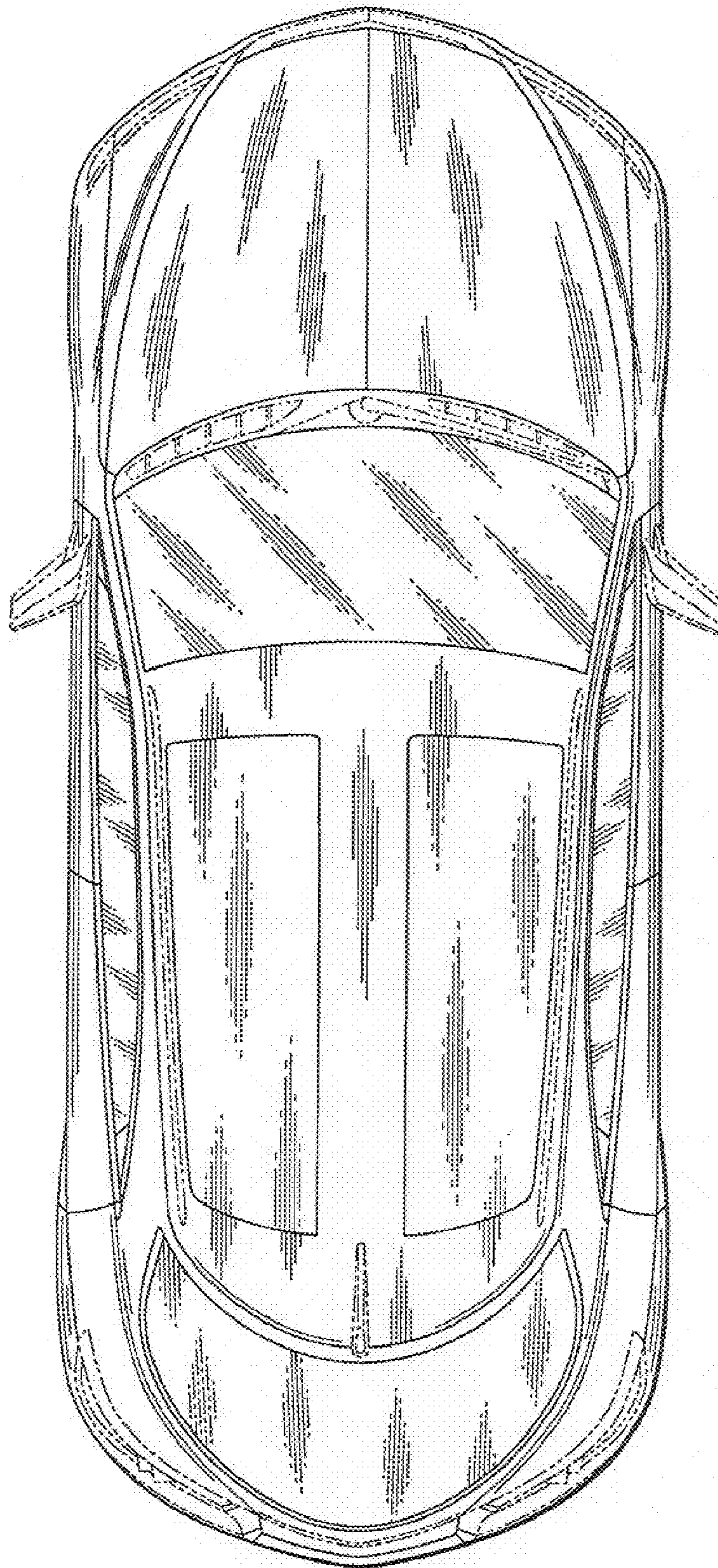
*Fig. 4*





*Fig. 5*





*Fig. 6*