



US00D564942S

(12) **United States Design Patent**
Chuang

(10) **Patent No.:** **US D564,942 S**

(45) **Date of Patent:** **** Mar. 25, 2008**

(54) **BELT BUCKLE**

(76) **Inventor:** **James Chuang**, 12121 Contralia St.,
#115, Lakewood, CA (US) 90715

(**) **Term:** **14 Years**

(21) **Appl. No.:** **29/289,930**

(22) **Filed:** **Aug. 6, 2007**

(51) **LOC (8) Cl.** **02-07**

(52) **U.S. Cl.** **D11/231**

(58) **Field of Classification Search** D11/200-238;
D8/33-34, 38, 40, 43; 24/1, 163 R, 170,
24/318

See application file for complete search history.

(56) **References Cited**

U.S. PATENT DOCUMENTS

D242,506 S	*	11/1976	Dolas	D11/232
D258,700 S		3/1981	Fletcher		
D287,187 S		12/1986	Olson		
D301,702 S		6/1989	Peterson		
D348,420 S		7/1994	Edsall		
D384,911 S		10/1997	Stroud		
D454,519 S		3/2002	Gruosi		
D470,794 S	*	2/2003	Eddy	D11/233

D474,130 S	*	5/2003	Rezania	D11/231
D474,713 S		5/2003	Eddy		
D496,247 S		9/2004	Roach		
D507,509 S		7/2005	Hou		
D508,872 S		8/2005	Hoepfner		

* cited by examiner

Primary Examiner—Catherine R. Oliver

(74) *Attorney, Agent, or Firm*—Patel & Alunit, PC; Edwin Tarver; Ty Ung

(57) **CLAIM**

I claim the ornamental design for a belt buckle, as shown and described.

DESCRIPTION

FIG. 1 is a top perspective view of the belt buckle according to the new design.

FIG. 2 is a bottom perspective view thereof.

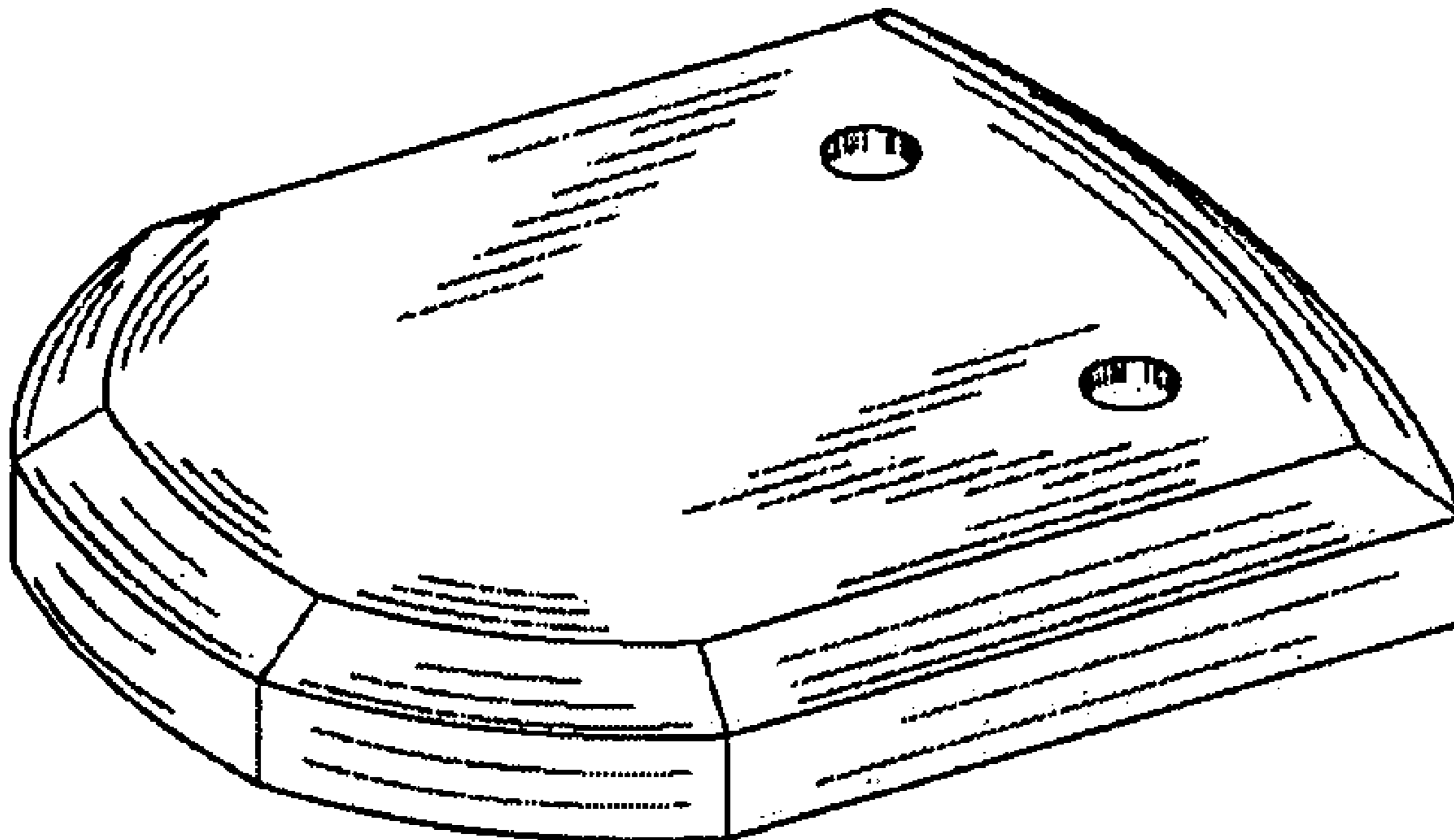
FIG. 3 is a top view thereof.

FIG. 4 is a bottom view thereof.

FIG. 5 is a front view thereof; and,

FIG. 6 is a right side view thereof.

1 Claim, 3 Drawing Sheets



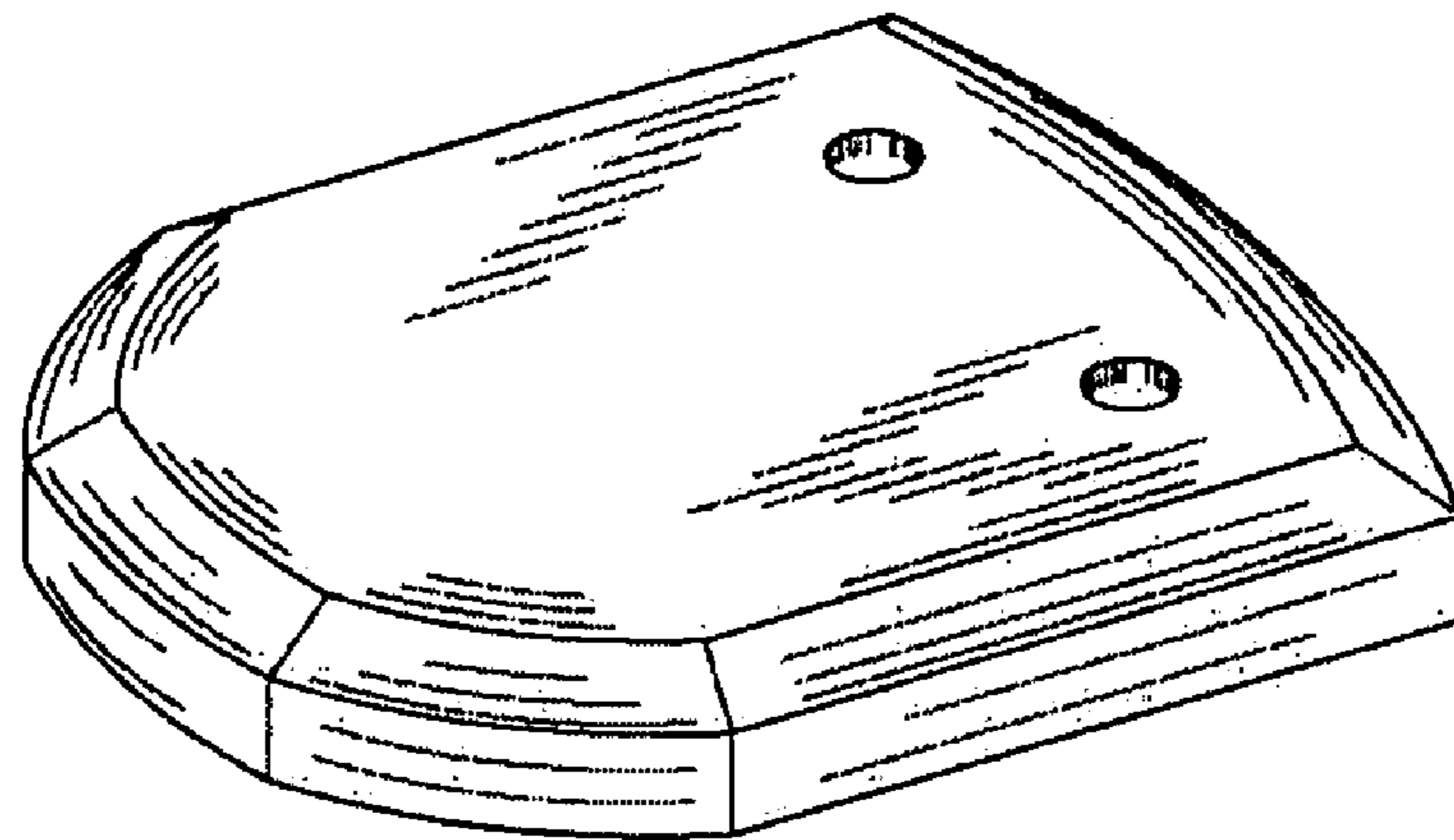


FIG. 1

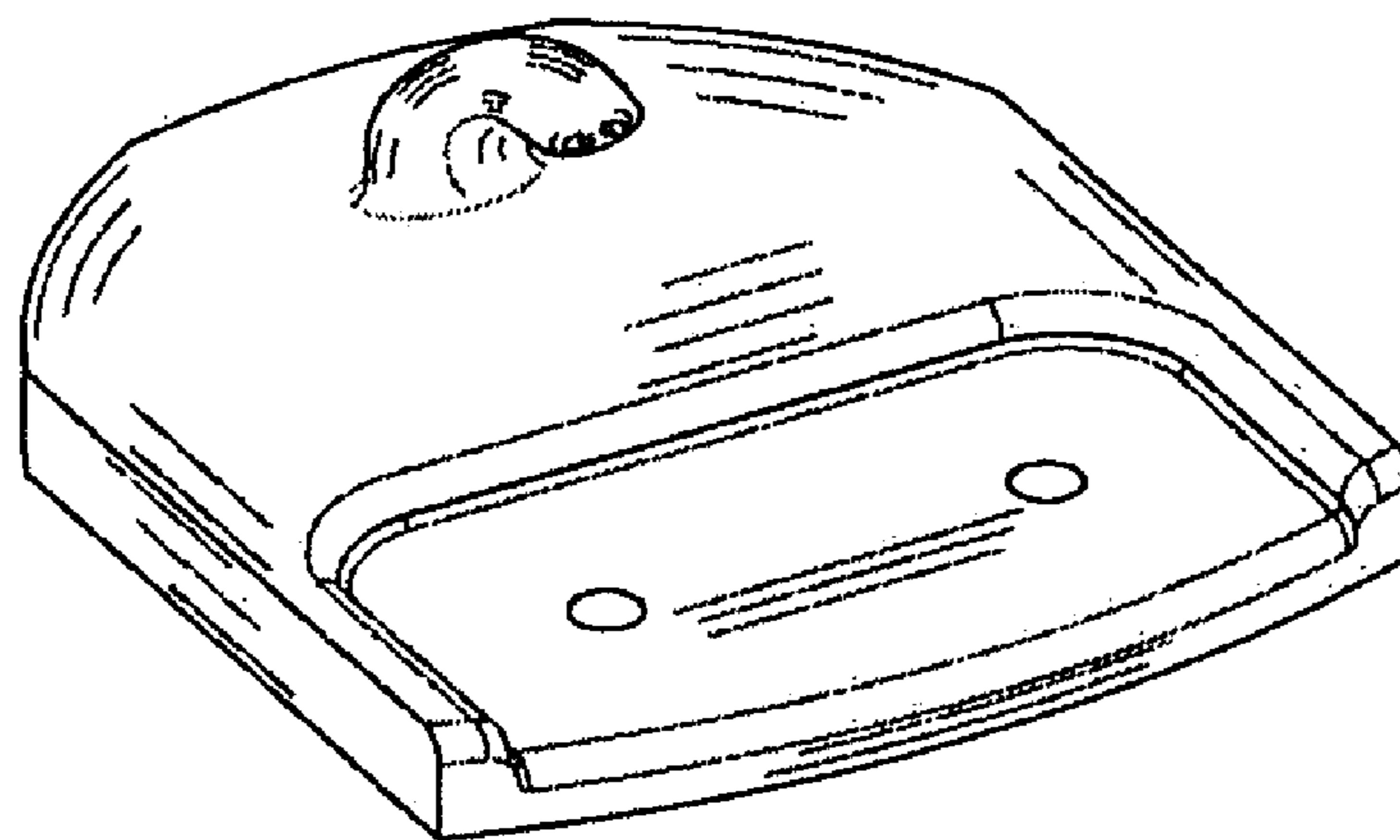


FIG. 2

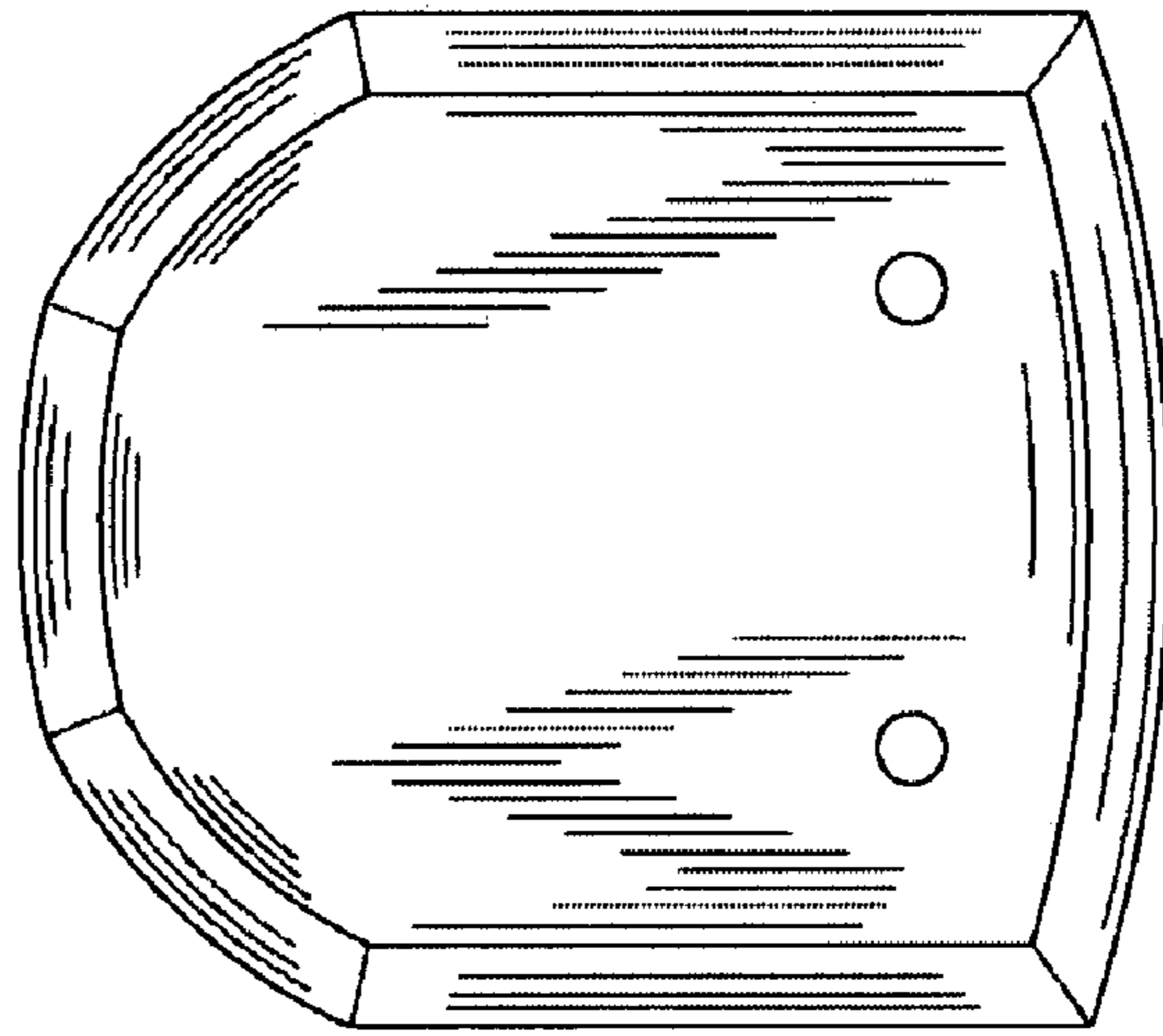


FIG. 3

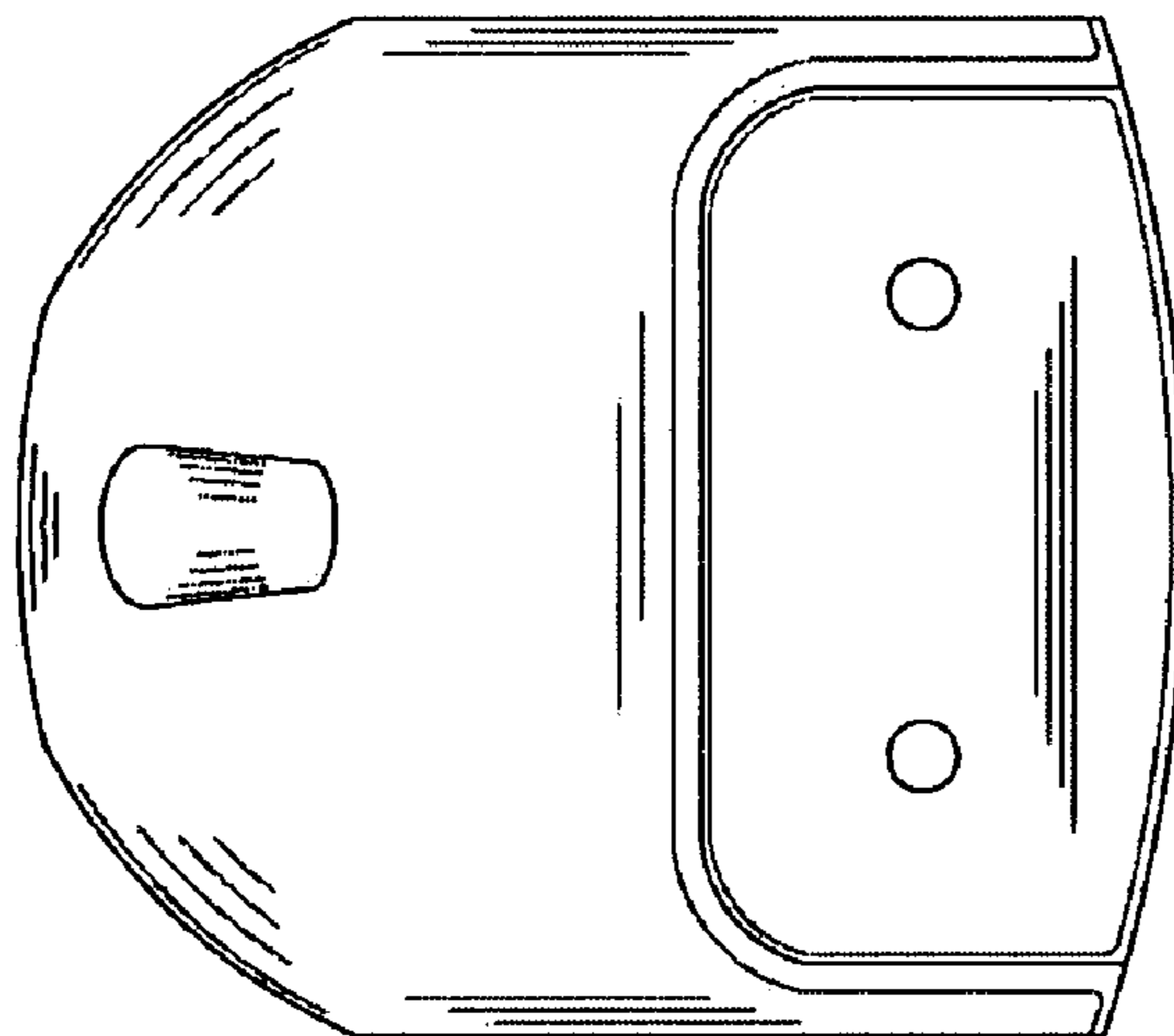


FIG. 4

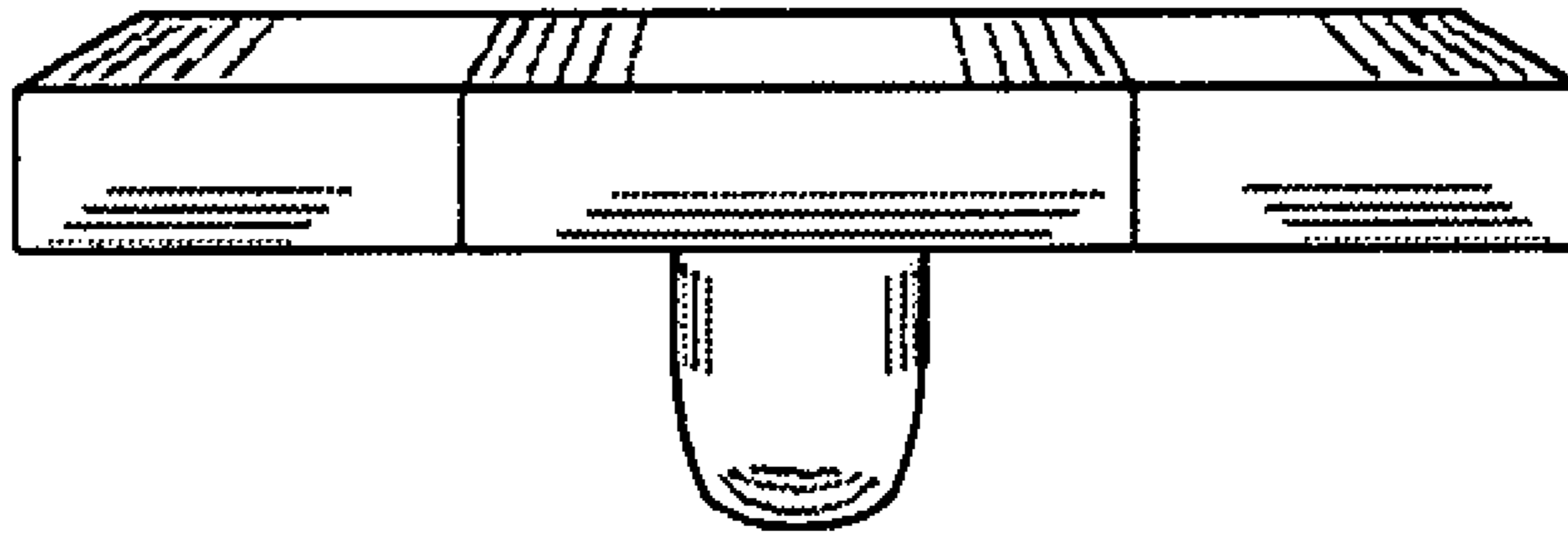


FIG. 5

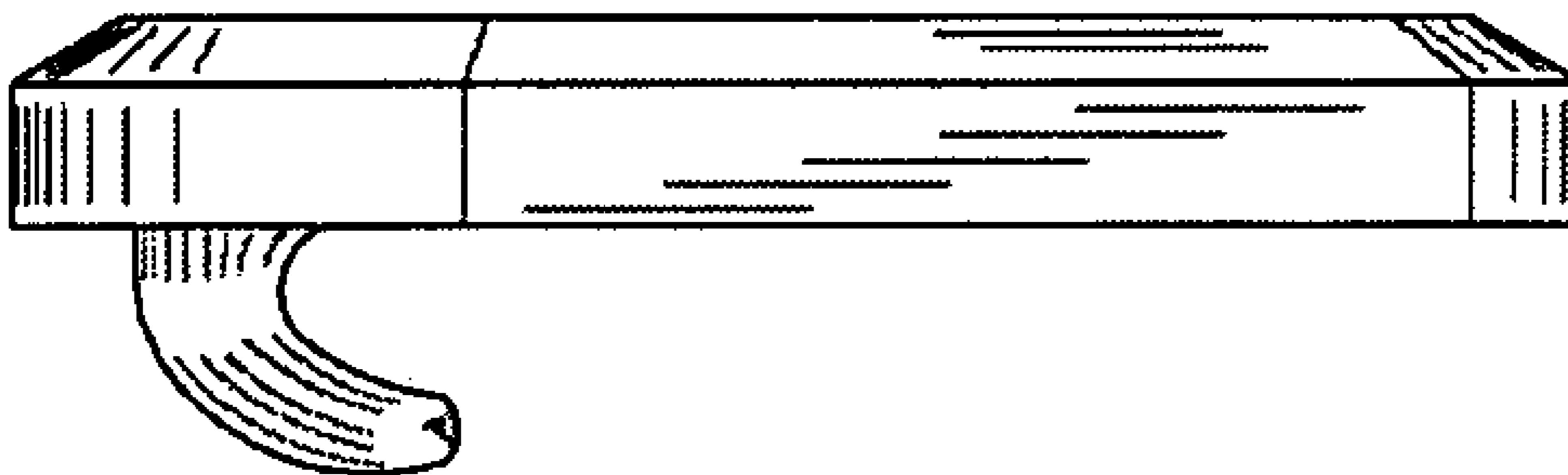


FIG. 6