



US00D564939S

(12) **United States Design Patent**
Fan

(10) **Patent No.:** **US D564,939 S**
(45) **Date of Patent:** **** Mar. 25, 2008**

(54) **RING LEG PLANT POT**

(76) Inventor: **Jianhua Fan**, 5800 Mamdina Ave., C-2,
Nashville, TN (US) 37209

(**) Term: **14 Years**

(21) Appl. No.: **29/267,384**

(22) Filed: **Oct. 13, 2006**

(51) **LOC (8) Cl.** **11-02**

(52) **U.S. Cl.** **D11/152**

(58) **Field of Classification Search** D6/556-558;
D7/516, 517, 520, 562; D11/142-156; D19/75,
D19/77, 80-82, 84; D26/9, 16; 47/33, 39,
47/41.01, 41.1, 41.11-41.13, 41.15, 65.5,
47/66.1, 66.6, 66.7, 66-71
See application file for complete search history.

(56) **References Cited**

U.S. PATENT DOCUMENTS

D271,035 S *	10/1983	Pomeranke	D11/152
4,442,629 A	4/1984	Anderson		
D318,887 S *	8/1991	Laib et al.	D11/152
5,430,973 A *	7/1995	Luo	47/66.6
D456,307 S	4/2002	Fan		
D460,020 S	7/2002	Fan		
D460,021 S	7/2002	Fan		
D460,717 S *	7/2002	Fan	D11/152

6,783,023 B1	8/2004	Fan		
D539,695 S *	4/2007	Fan	D11/152
2003/0106262 A1 *	6/2003	Lai	47/65.6

* cited by examiner

Primary Examiner—Robert M. Spear
Assistant Examiner—Garth Rademaker

(57) **CLAIM**

The ornamental design for a ring leg plant pot, as shown and described.

DESCRIPTION

FIG. 1 is a bottom perspective view of a ring leg plant pot showing my new design;

FIG. 2 is a cross-section view thereof, taken along line 2—2 of FIG. 3;

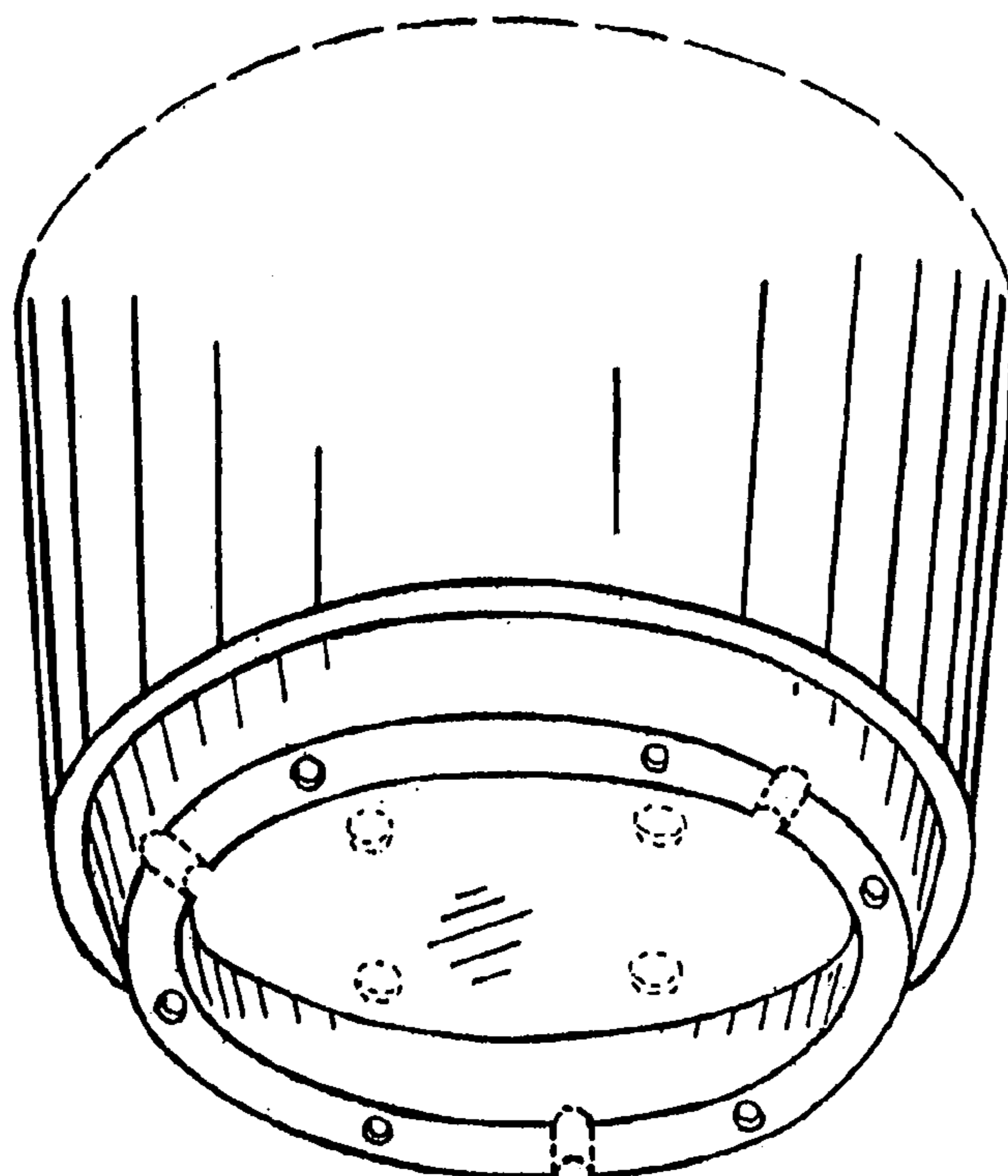
FIG. 3 is a front elevation view thereof, the right side, left side, and rear elevation views being substantially identical thereto except for the location of the unclaimed notches along the bottom;

FIG. 4 is a bottom plan view of thereof; and,

FIG. 5 is a top plan view thereof.

The broken lines depict environmental subject matter only and form no part of the claimed design.

1 Claim, 3 Drawing Sheets



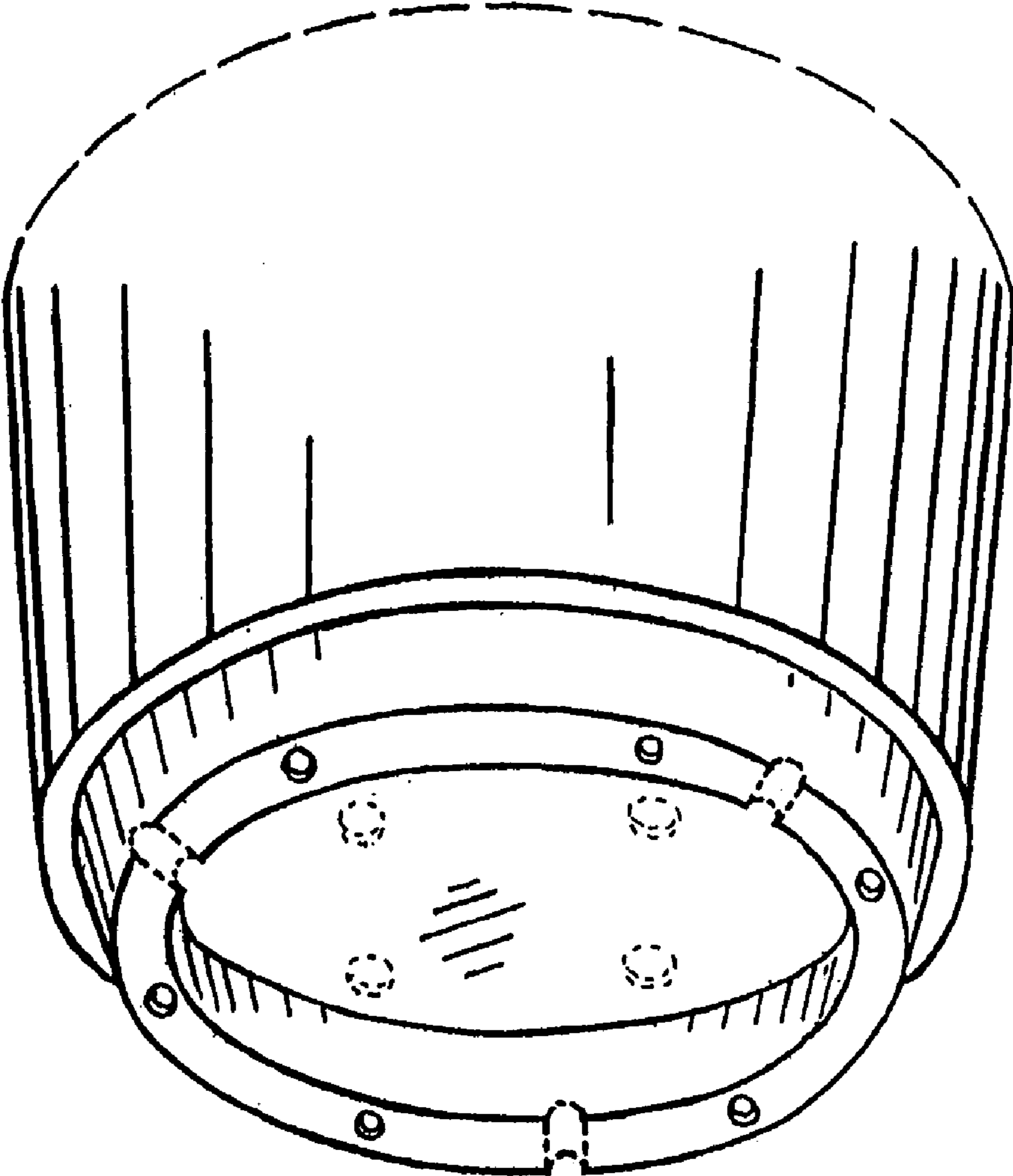


Figure 1

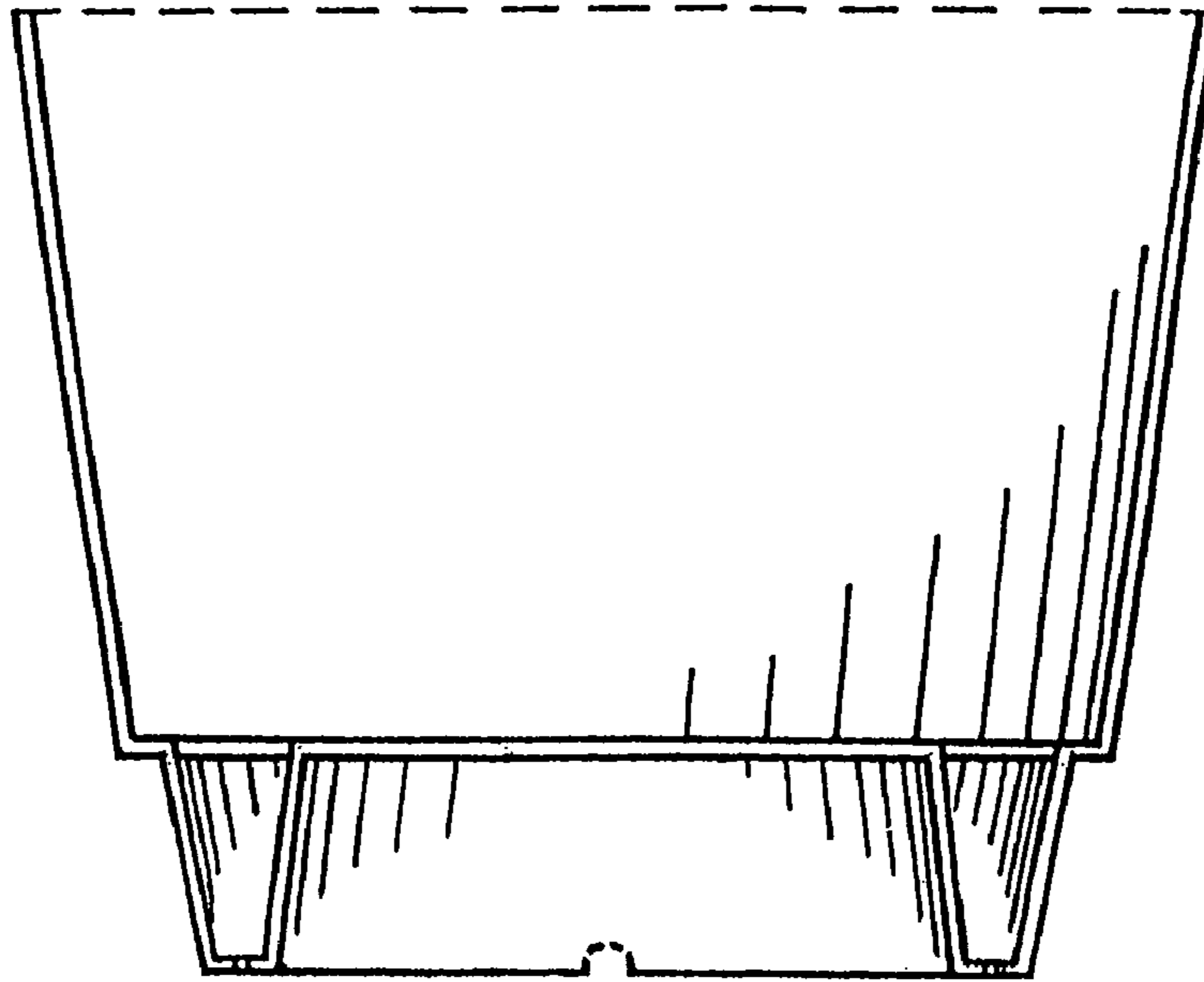


Figure 2

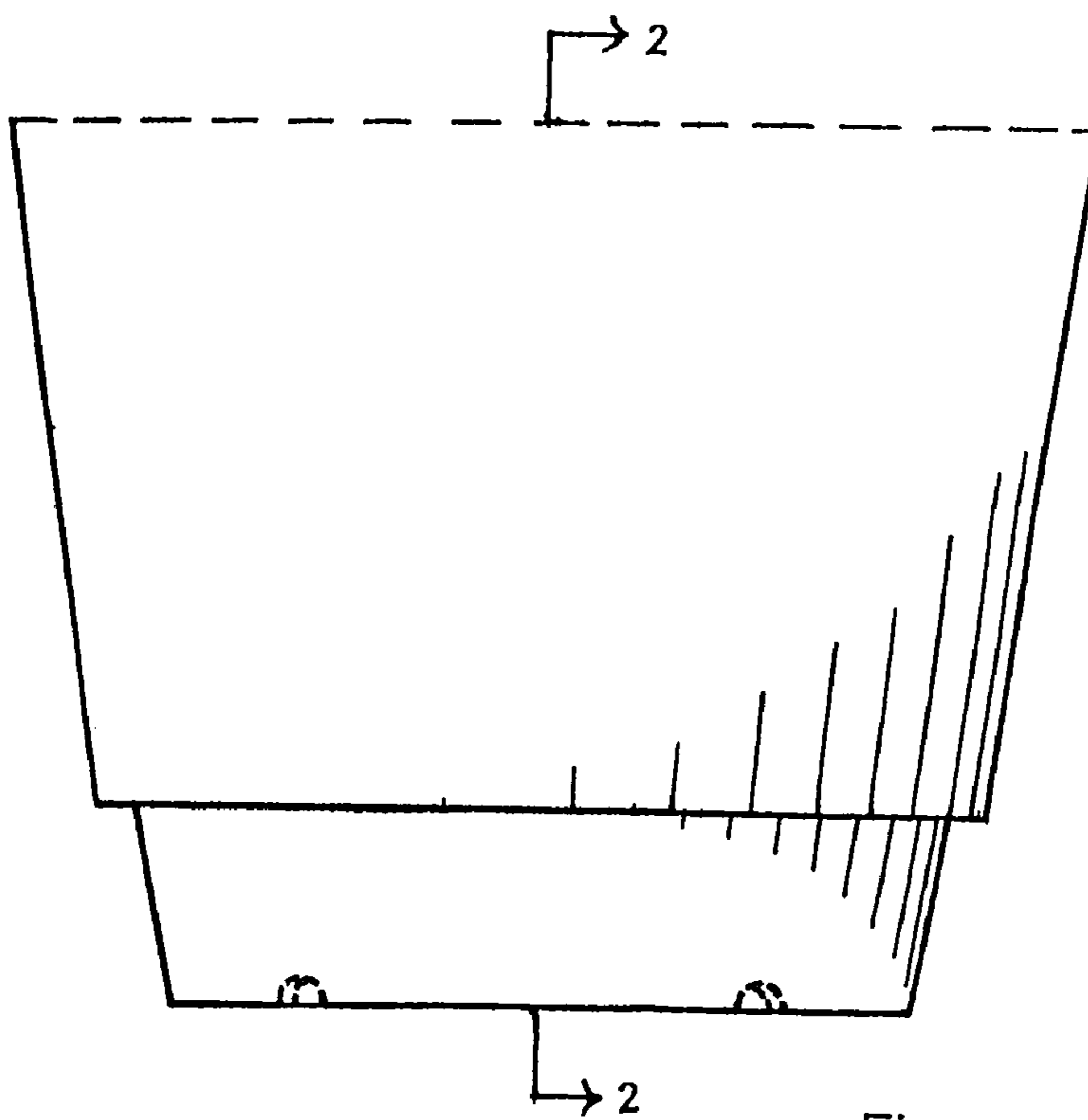


Figure 3

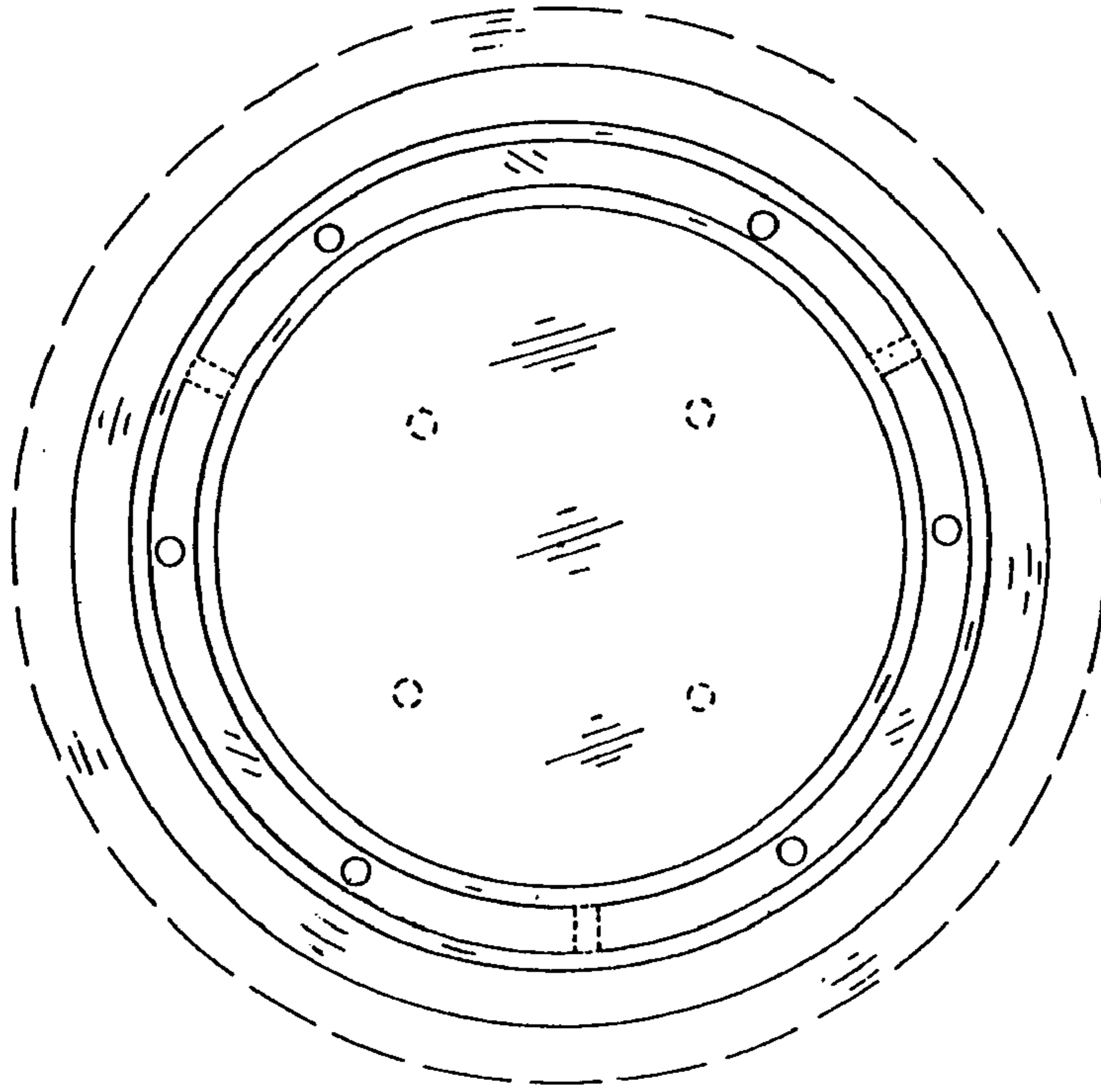


Figure 4

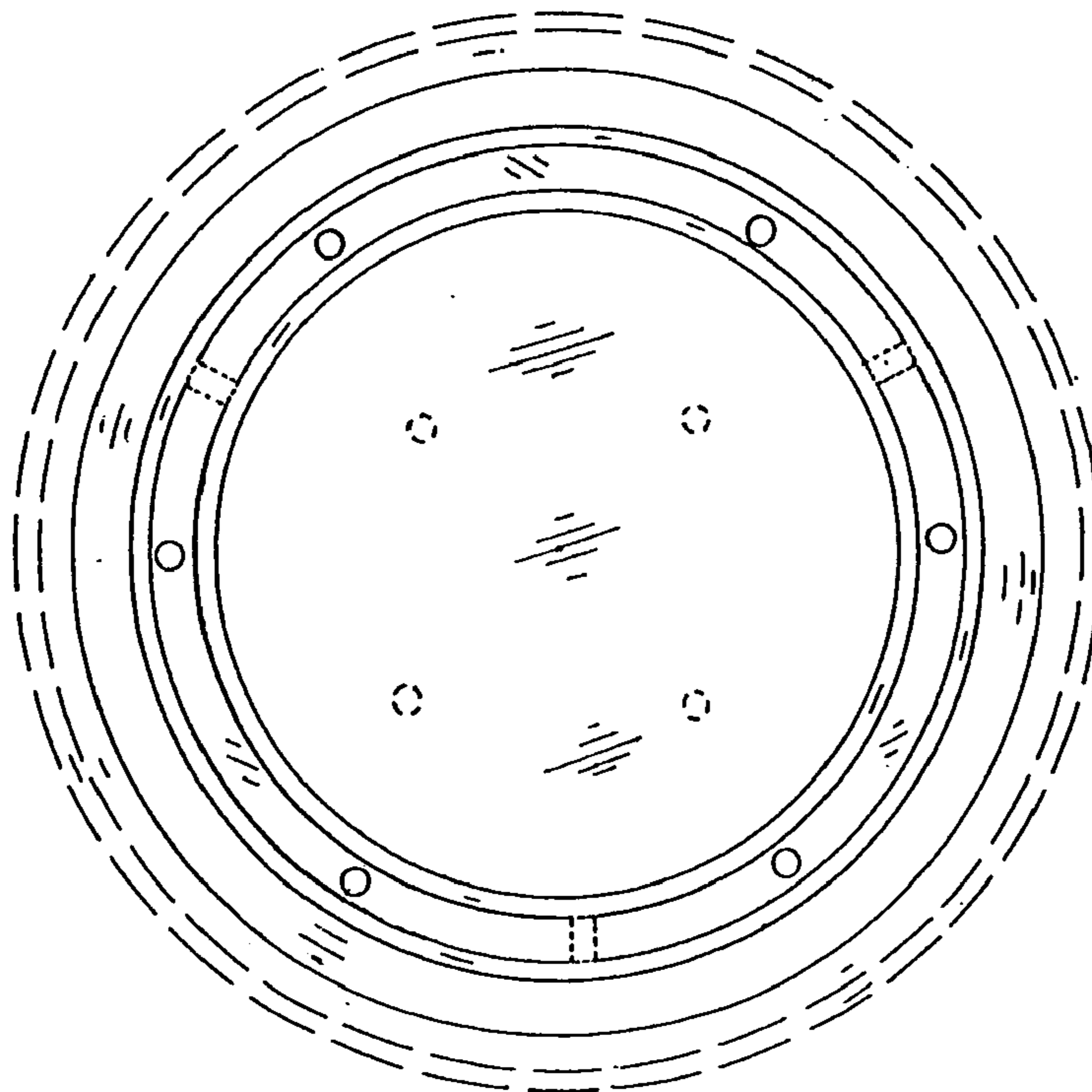


Figure 5