



US00D564937S

(12) **United States Design Patent**  
**Pestruie et al.**

(10) **Patent No.:** **US D564,937 S**

(45) **Date of Patent:** **\*\* Mar. 25, 2008**

(54) **LEVELING APPARATUS FOR A TREE STAND**

(75) Inventors: **Jeffrey A. Pestruie**, Flushing, MI (US);  
**Robert M. Butcher**, Flushing, MI (US)

(73) Assignee: **Eastman Holding Company**, Flushing, MI (US)

(\*\*) Term: **14 Years**

(21) Appl. No.: **29/224,729**

(22) Filed: **Mar. 4, 2005**

(51) **LOC (8) Cl.** ..... **06-99**

(52) **U.S. Cl.** ..... **D11/130**

(58) **Field of Classification Search** ..... D11/130.1,  
D11/117, 130, 118; D8/354, 355, 70, 71,  
D8/72, 73, 74, 300, 349; D10/46, 82, 101;  
428/18, 19; 47/32.4, 32.5, 1.01 S, 42, 43,  
47/44

See application file for complete search history.

(56) **References Cited**

**U.S. PATENT DOCUMENTS**

535,887	A *	3/1895	Brown	.....	248/523
2,857,864	A *	10/1958	Cromer	.....	111/95
3,416,831	A *	12/1968	Bishop et al.	.....	294/50.5
3,506,296	A *	4/1970	Nelson	.....	111/101

4,676,538	A *	6/1987	Fiedler	.....	294/50
4,932,339	A *	6/1990	List	.....	111/106
D332,439	S *	1/1993	Talley	.....	D12/406
5,375,808	A *	12/1994	Roy	.....	248/523
5,487,236	A *	1/1996	Moon	.....	47/48.5
6,123,374	A *	9/2000	Elder	.....	294/50
6,419,511	B2 *	7/2002	Lizell	.....	439/210

\* cited by examiner

*Primary Examiner*—Elizabeth J Oswecki

(74) *Attorney, Agent, or Firm*—Carrier, Blackman & Associates, P.C.; William D. Blackman; Joseph P. Carrier

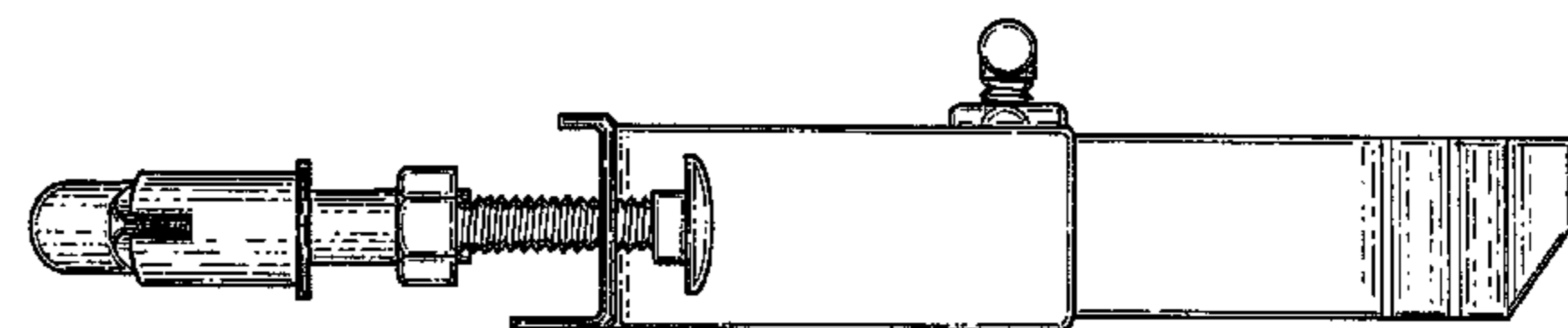
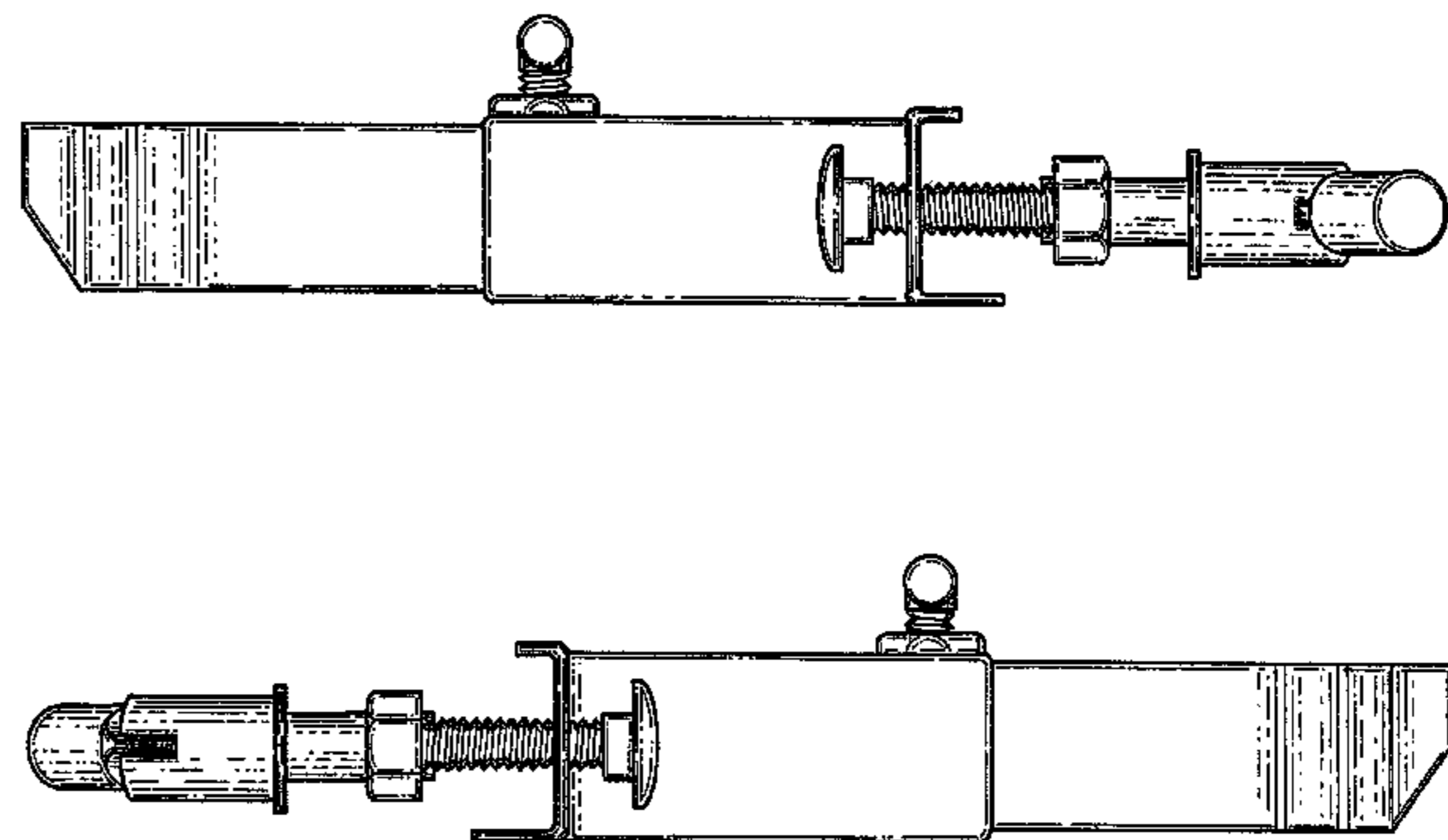
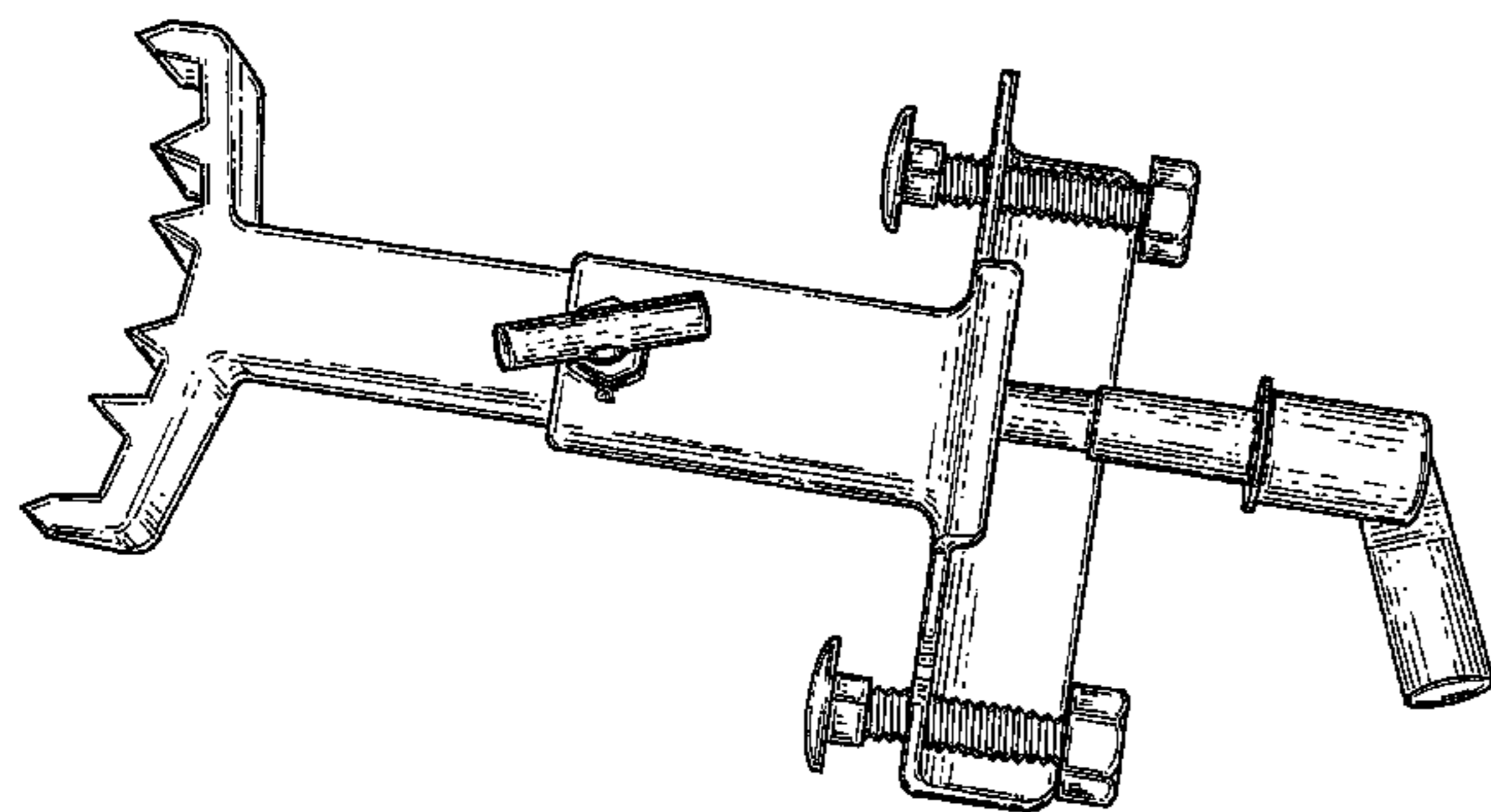
(57) **CLAIM**

The ornamental design for a leveling apparatus for a tree stand, substantially as shown.

**DESCRIPTION**

FIG. 1 is a top perspective view of my new, original and ornamental design for a leveling apparatus for a tree stand; FIG. 2 is a top plan view thereof; FIG. 3 is a right side elevational view thereof; FIG. 4 is a left side elevational view thereof; FIG. 5 is a bottom plan view thereof; FIG. 6 is a front view thereof; and, FIG. 7 is a rear view thereof.

**1 Claim, 5 Drawing Sheets**



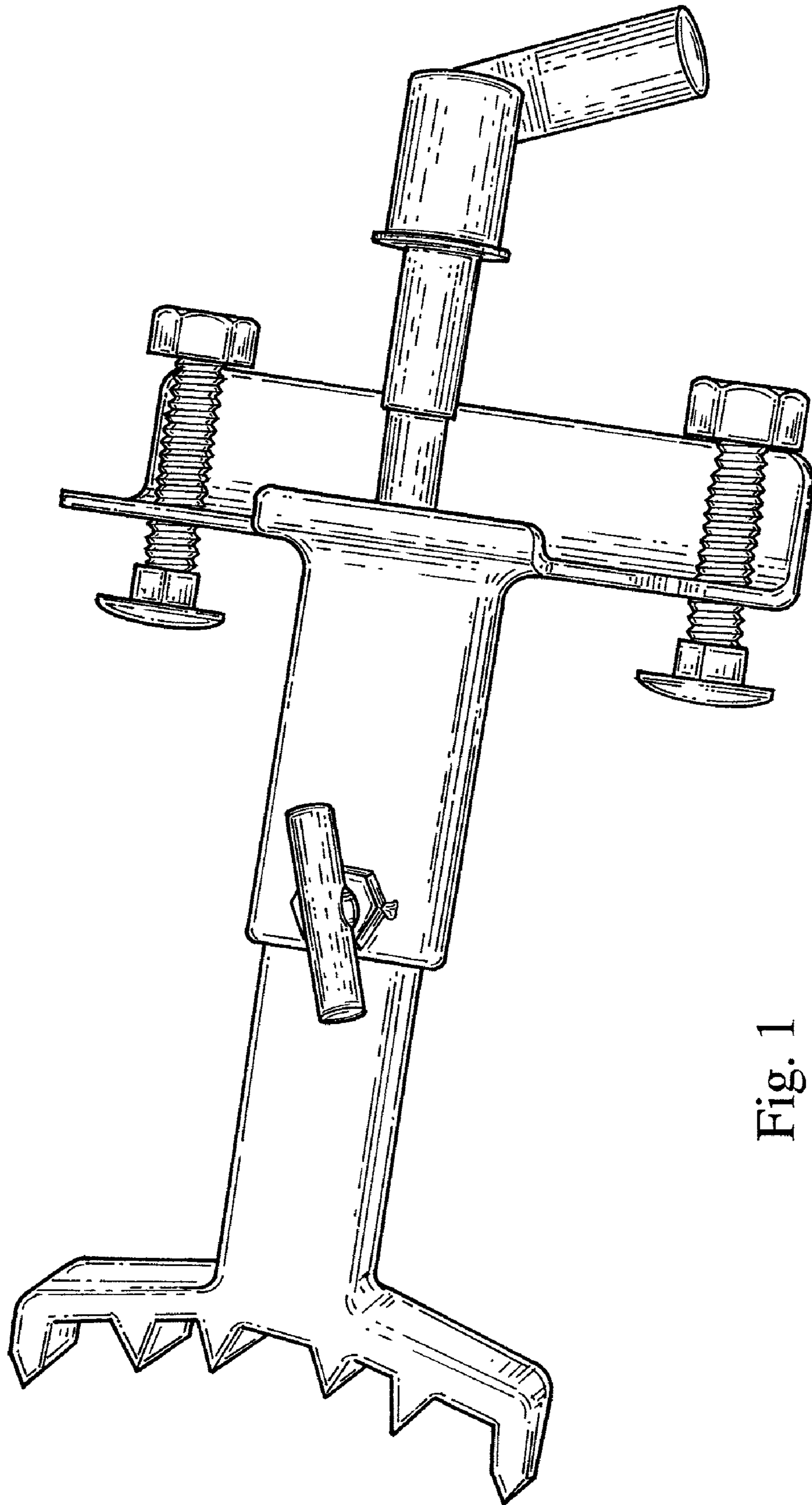


Fig. 1

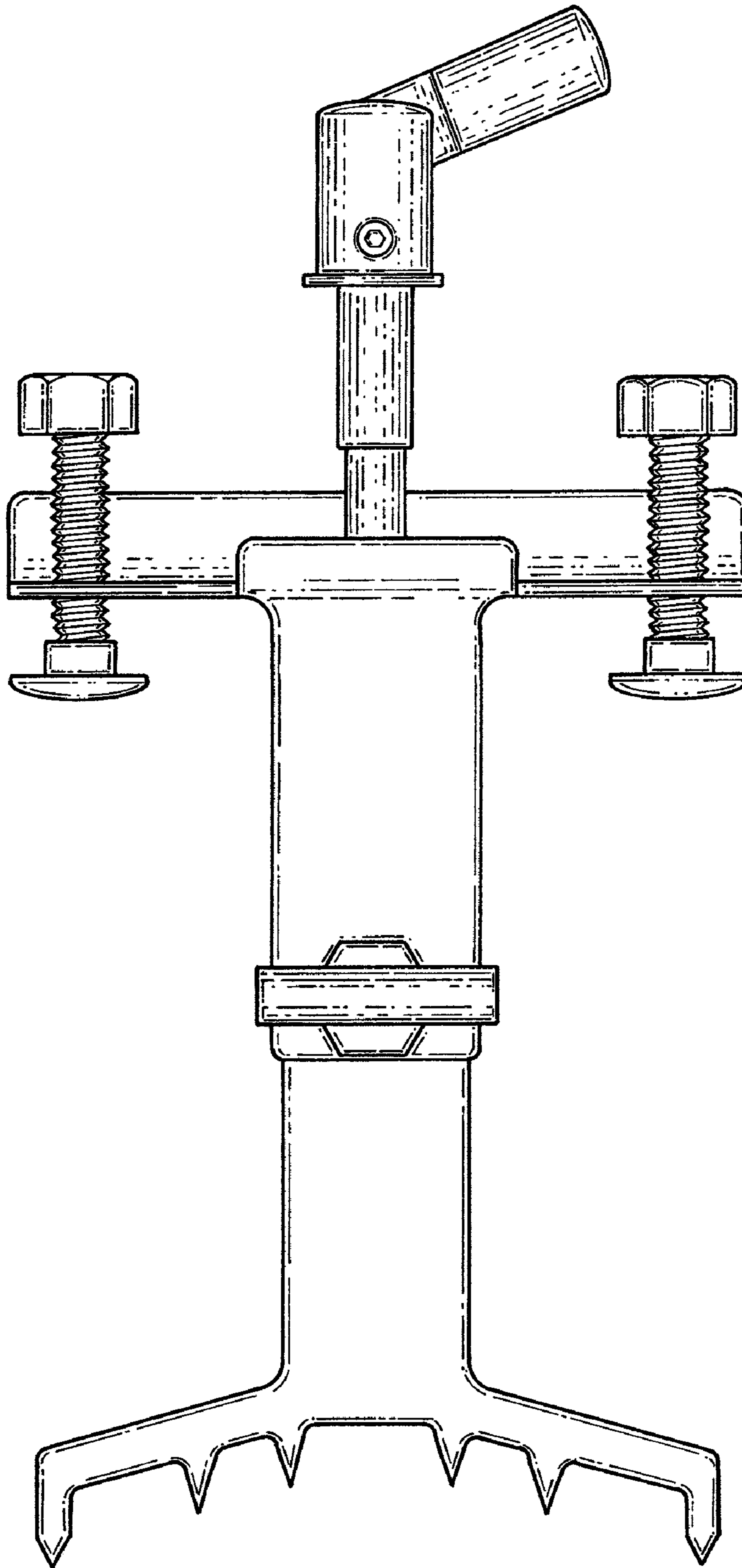


Fig. 2

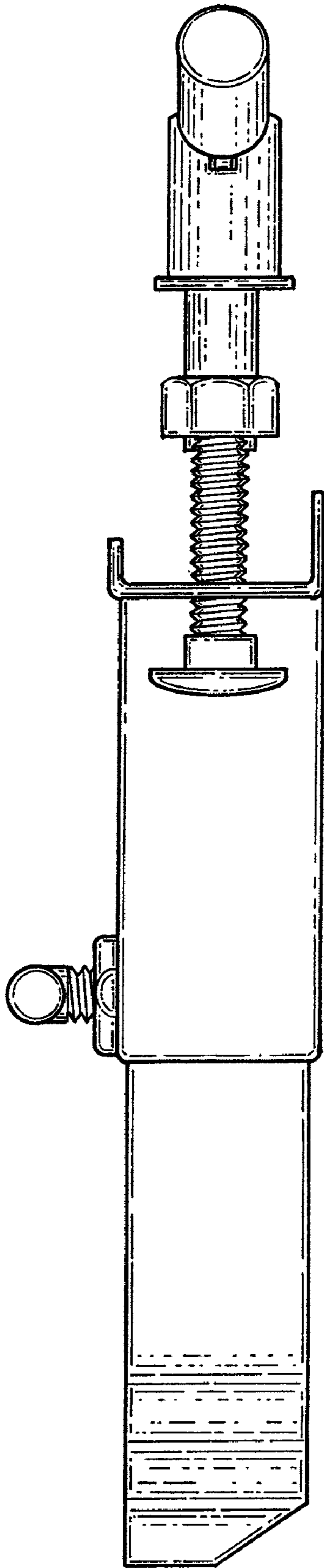


Fig. 3

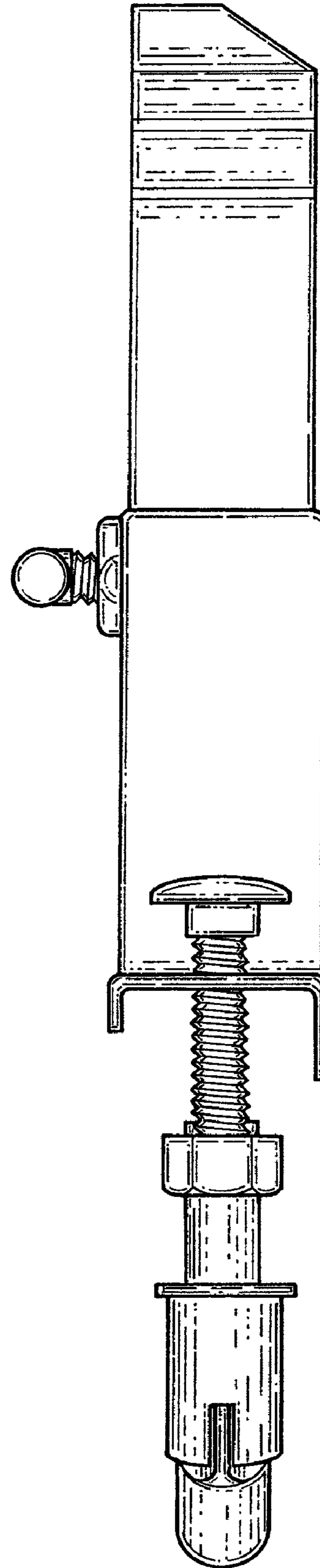


Fig. 4

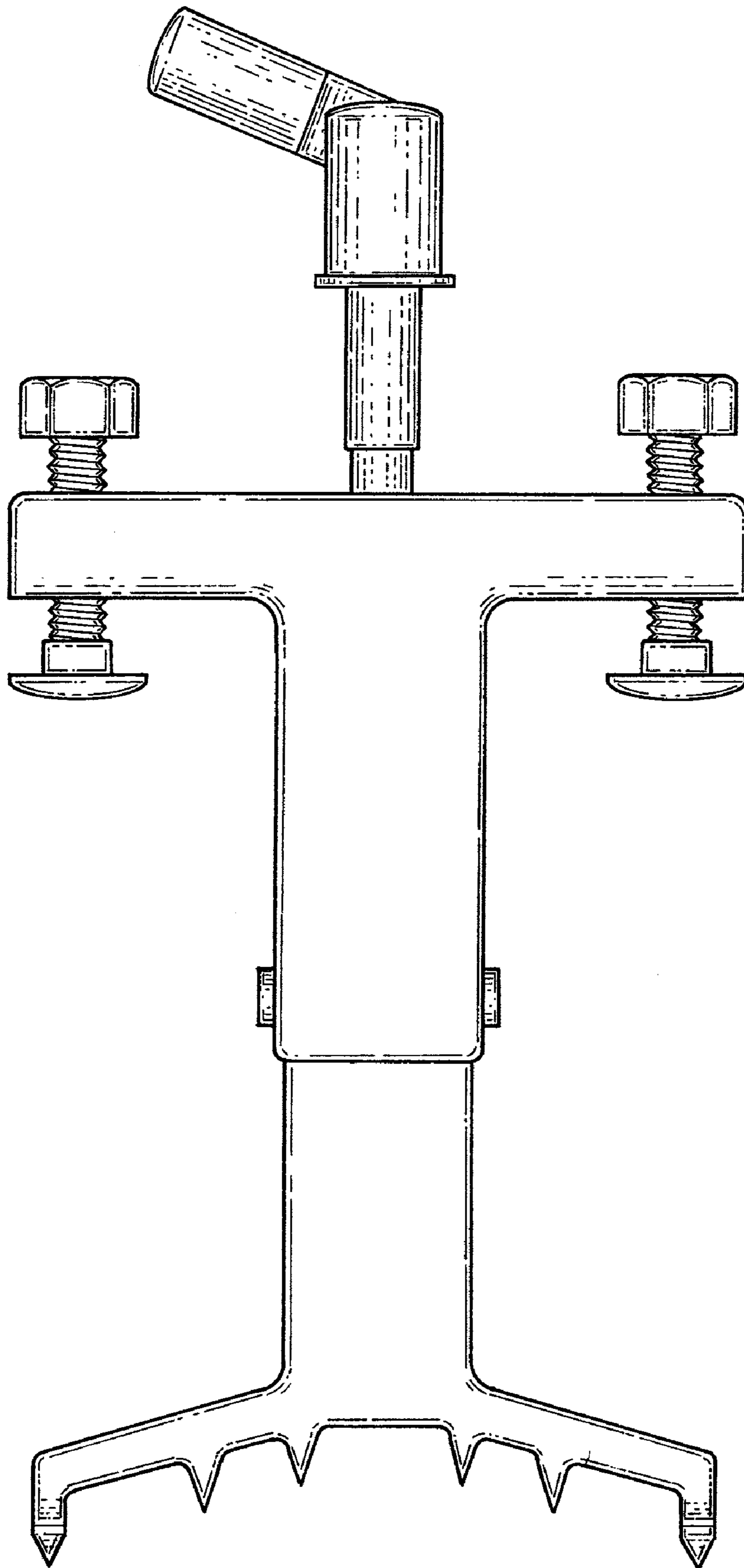


Fig. 5

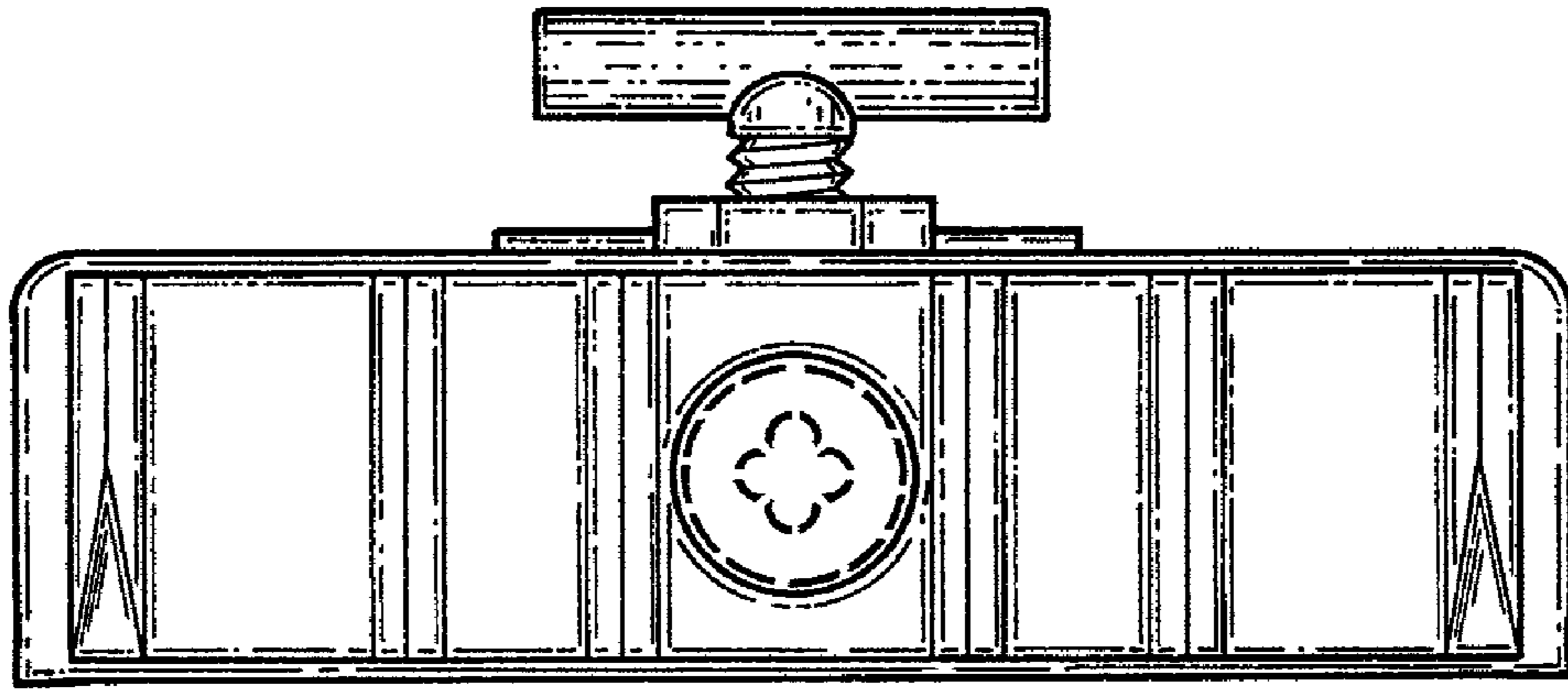


Fig. 6

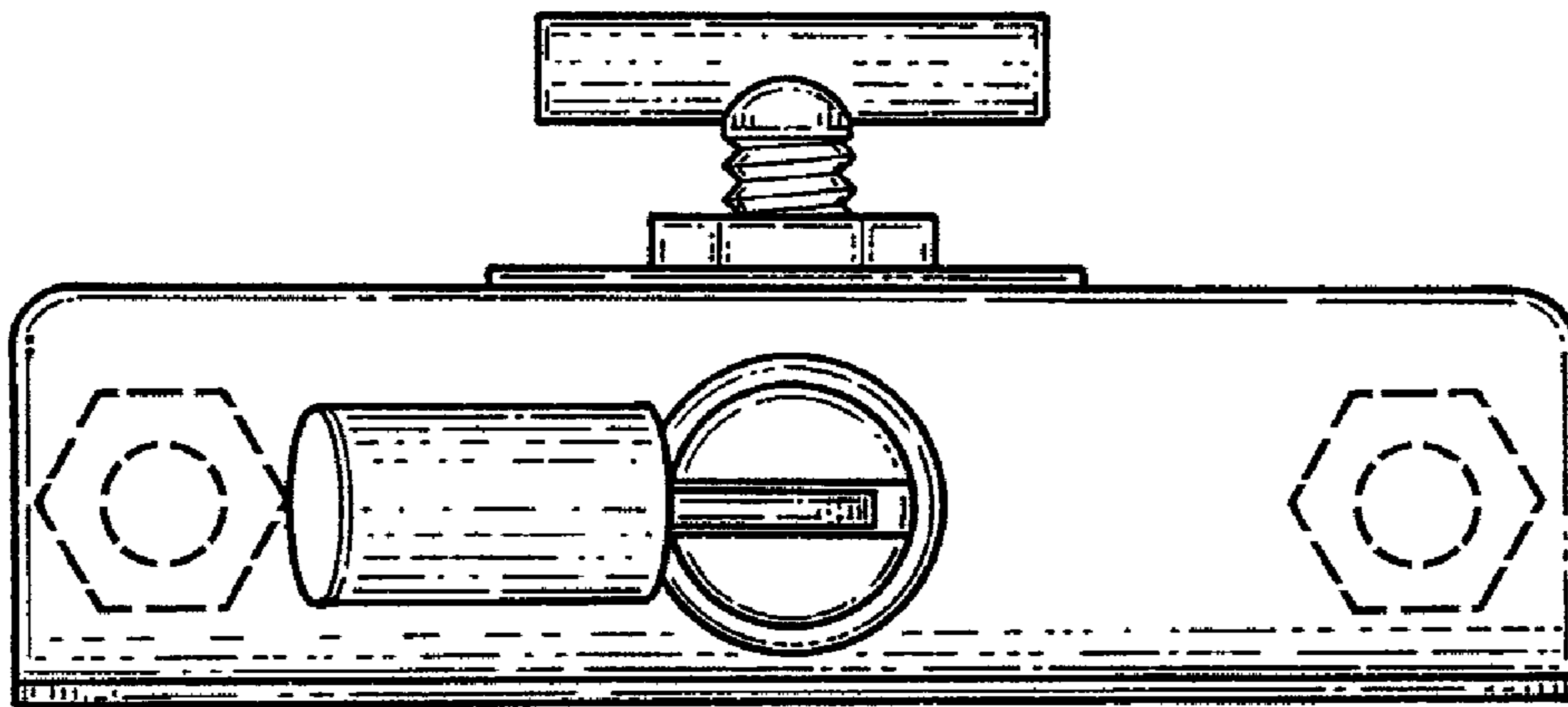


Fig. 7