

US00D564928S

(12) **United States Design Patent** (10) **Patent No.:** **US D564,928 S**
Belitz et al. (45) **Date of Patent:** **** *Mar. 25, 2008**

(54) **LIGHT BAR FOR AN EMERGENCY VEHICLE**

(75) Inventors: **Duane P. Belitz**, Frankfort, IL (US);
Edward J. Stanuch, Frankfort, IL (US)

(73) Assignee: **Federal Signal Corporation**,
University Park, IL (US)

(*) Notice: This patent is subject to a terminal disclaimer.

(**) Term: **14 Years**

(21) Appl. No.: **29/256,908**

(22) Filed: **Mar. 27, 2006**

(51) **LOC (8) Cl.** **10-05**

(52) **U.S. Cl.** **D10/114**

(58) **Field of Classification Search** D10/114;
362/227, 231, 240, 261, 493, 542
See application file for complete search history.

(56) **References Cited**

U.S. PATENT DOCUMENTS

D402,909 S	*	12/1998	Stanuch	D10/114
D410,402 S	*	6/1999	Stein et al.	D10/114
D432,038 S	*	10/2000	Sasaki et al.	D10/114
D469,711 S	*	2/2003	Neufeglise et al.	D10/114
D476,253 S	*	6/2003	Stein et al.	D10/114
D491,482 S	*	6/2004	Chiang	D10/114
D499,976 S	*	12/2004	Richardson et al.	D10/114

OTHER PUBLICATIONS

Federal Signal Corporation, "Highlighter™ Mini-Lightbars," 4119HD, Aug. 2002 (2 pages), prior to Mar. 27, 2006.
AW Direct, "MicroBar 360 LED Lightbars," retrieved from <http://www.awdirect.com/awdirect/catalog.cfm?dest=itempg&itemid=19404&secid=68&link> Mar. 21, 2005 (1 page).

Galls.LB004, "Whelen LED Liberty™ Mini-Bar," retrieved from <http://www.galls.com/style.html?assort=general-catalog&style=LB004&cat=923> Mar. 21, 2005 (2 pages).

Whelen, "Mini Lightbars," No. PL05.OUA Valid:Dec. 23, 2004–Jun. 30, 2005 (3 pages).

Ecco, "Lightbars/Minibars," catalog pages retrieved from www.eccolink.com (3 pages), available in the U.S. prior to Mar. 27, 2006.

Galls, LB121, "Code 3® Six Head Mini LED X™ Lightbar," retrieved from <http://www.galls.com/style.html?assort=general-catalog&style=LB121cat=&923> Mar. 21, 2005 (2 pages).

Code 3, PSEAMBER™, "LED X™ 2100 Mini Bar," retrieved from <http://www.code3pse.com/productdt-l.asp?grp=pse&familyid=204> Apr. 1, 2005 (2 pages).

Code3, PSEAMBER™, LED X™ 2100 Mini Bars, Code 3" (2 pages), available in the U.S. prior to Mar. 27, 2006.

911EP, "Welcome to a New Dimension in LED Light Bar Technology" (1 page), available in the U.S. Prior to Mar. 27, 2006.

911EP, "Millennium LED Light Bar," retrieved from <http://www.911ep.com/millennium.html>, Apr. 1, 2005 (2 pages).

North American Signal Company, "MBLEDFL-C/A, LED Mini-Bars," retrieved from <http://www2.catalognavigator.com/northamericansignalc/print-item/light-bars-mini=light-bars/>, Oct. 4, 2005 (2 pages).

STAR1889, "Model 9200LX 180 & 360 Degree LED Mini-Bars," retrieved from <http://www.star1889.com/192001x.htm>, Oct. 4, 2005, (2 pages).

STAR1889, "9200L 360 Degree LED Flashing Minibar," retrieved from <http://www.star1889.com/92001.htm> Oct. 4, 2005, (1 page).

* cited by examiner

Primary Examiner—Marcus A. Jackson

(74) *Attorney, Agent, or Firm*—Leydig, Voit & Mayer, Ltd.

(57) **CLAIM**

I claim the ornamental design for a light bar for an emergency vehicle, as shown and described.

DESCRIPTION

FIG. 1 is a perspective view of a first embodiment of a light bar for an emergency vehicle according to the present invention.

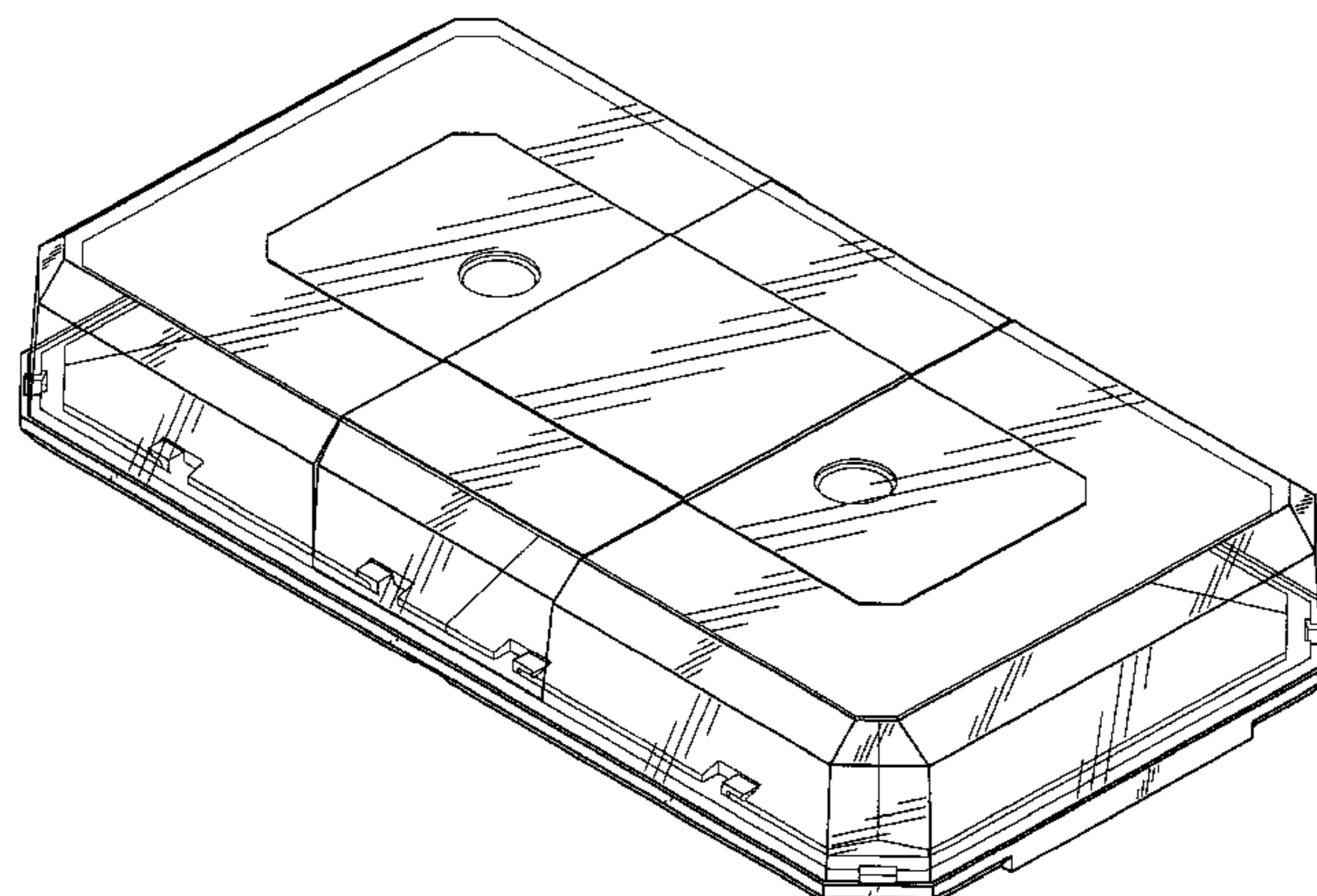


FIG. 2 is a top plan view of the light bar for an emergency vehicle of FIG. 1.

FIG. 3 is a front elevational view of the light bar for an emergency vehicle of FIG. 1, with the rear elevational view thereof being identical to the view of FIG. 3.

FIG. 4 is a side elevational view of the light bar for an emergency vehicle of FIG. 1, with the other side elevational view thereof being identical to the view of FIG. 4.

FIG. 5 is a perspective view of a second embodiment of a light bar for an emergency vehicle according to the present invention.

FIG. 6 is a top plan view of the light bar for an emergency vehicle of FIG. 5.

FIG. 7 is a front elevational view of the light bar for an emergency vehicle of FIG. 5, with the rear elevational view thereof being identical to the view of FIG. 7; and,

FIG. 8 is a side elevational view of the light bar for an emergency vehicle of FIG. 5, with the other side elevational view thereof being identical to the view of FIG. 8.

1 Claim, 6 Drawing Sheets

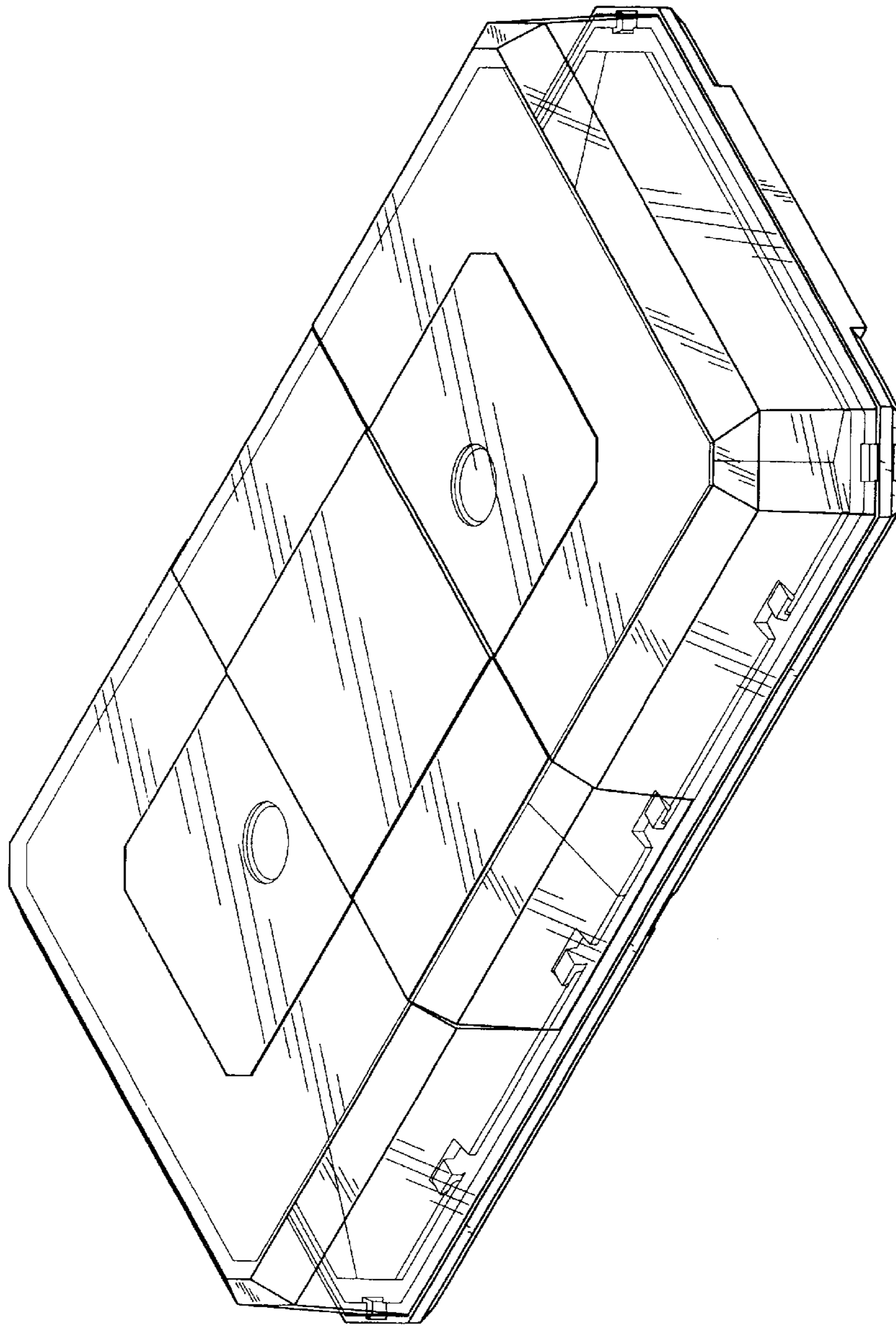


FIG. 1

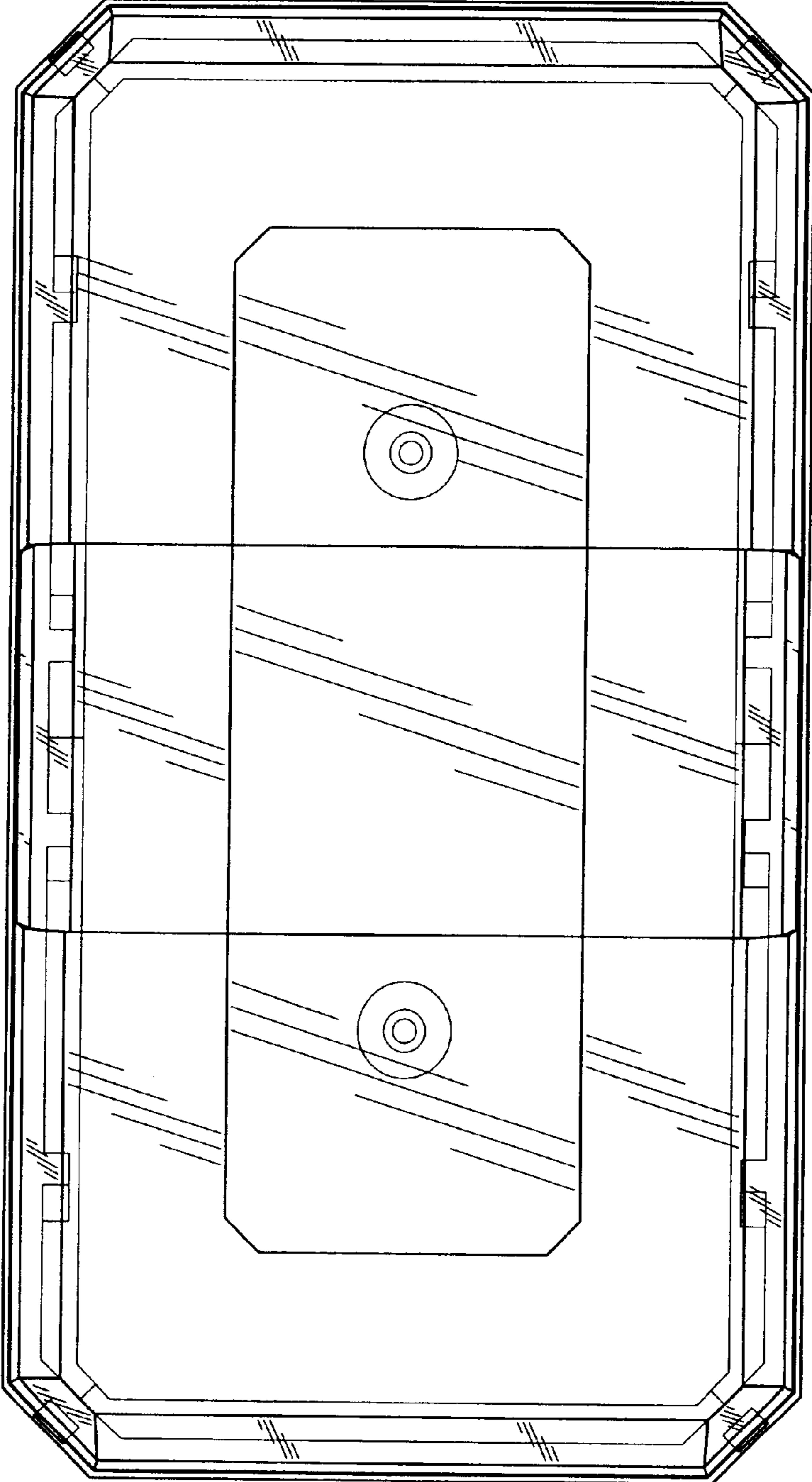


FIG. 2

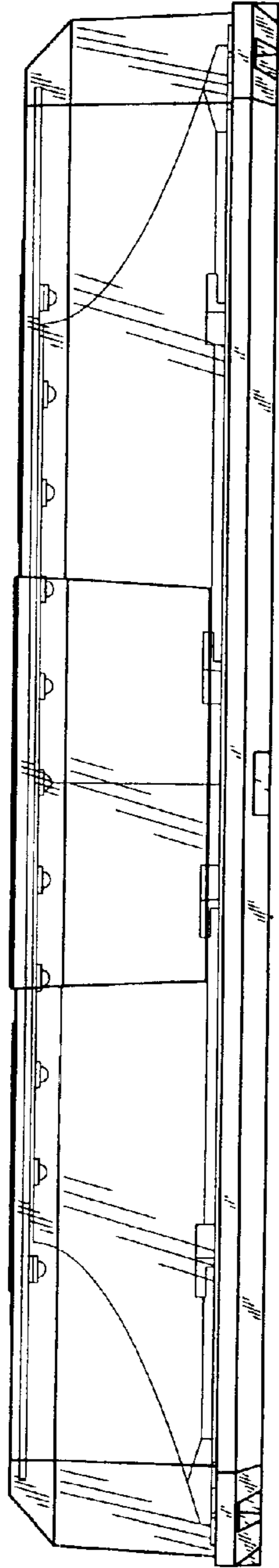


FIG. 3

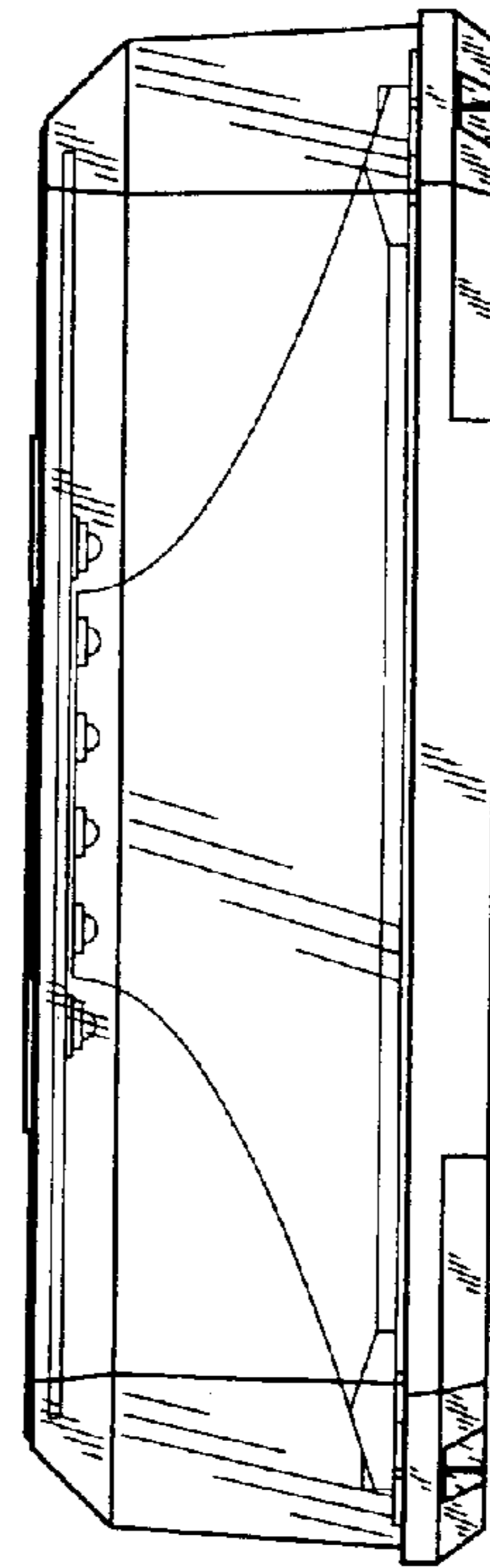


FIG. 4

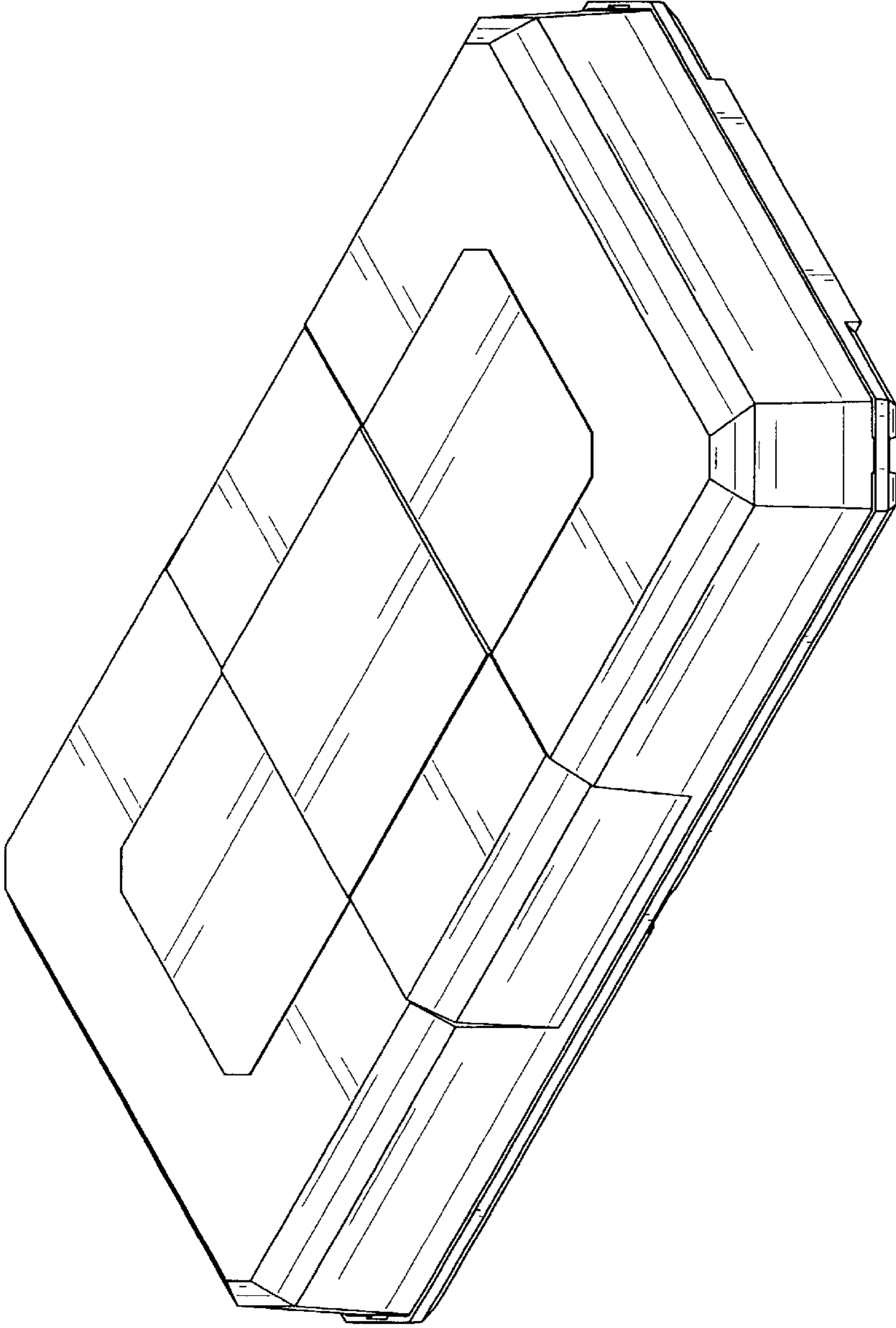


FIG. 5

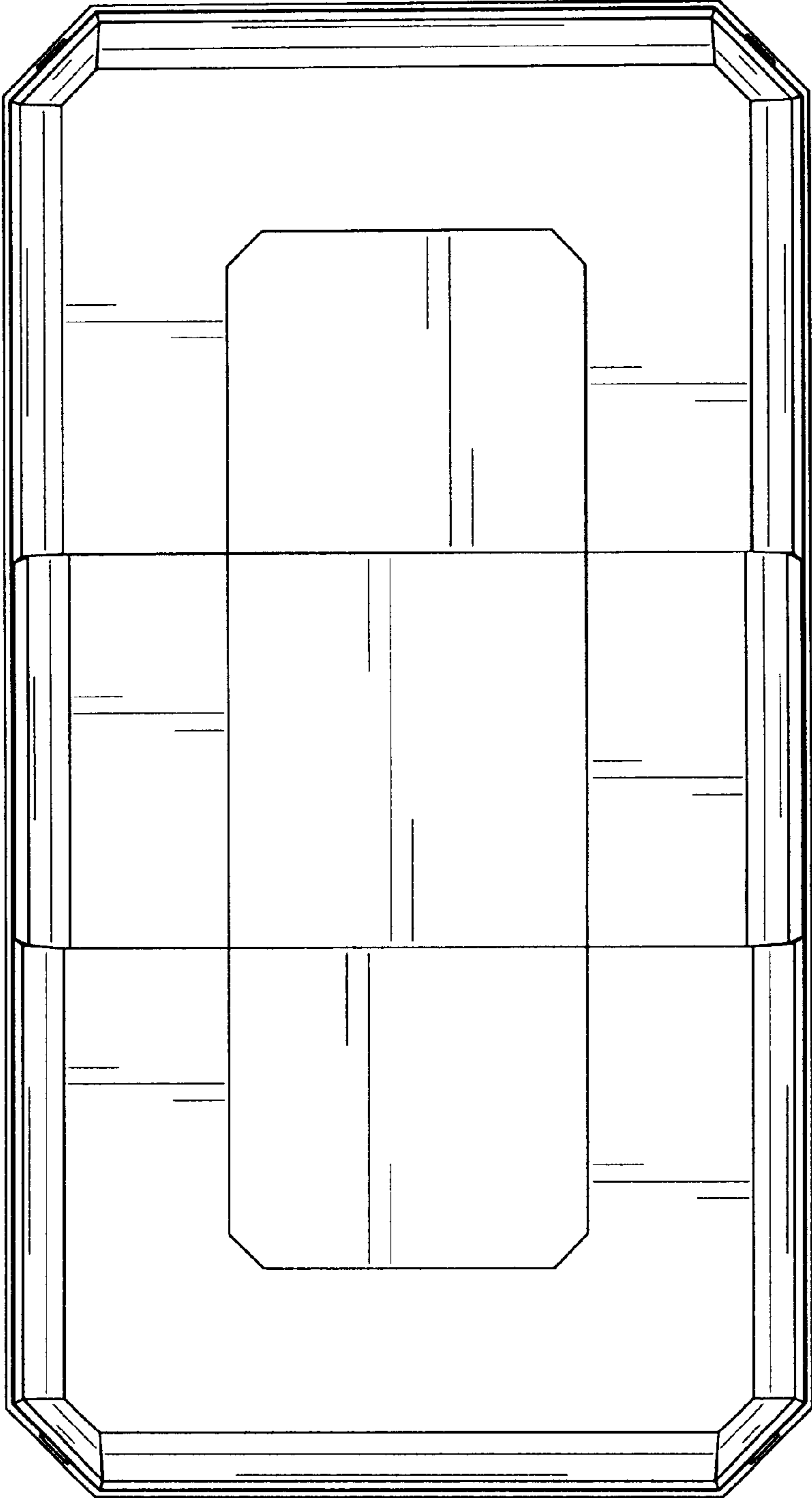


FIG. 6

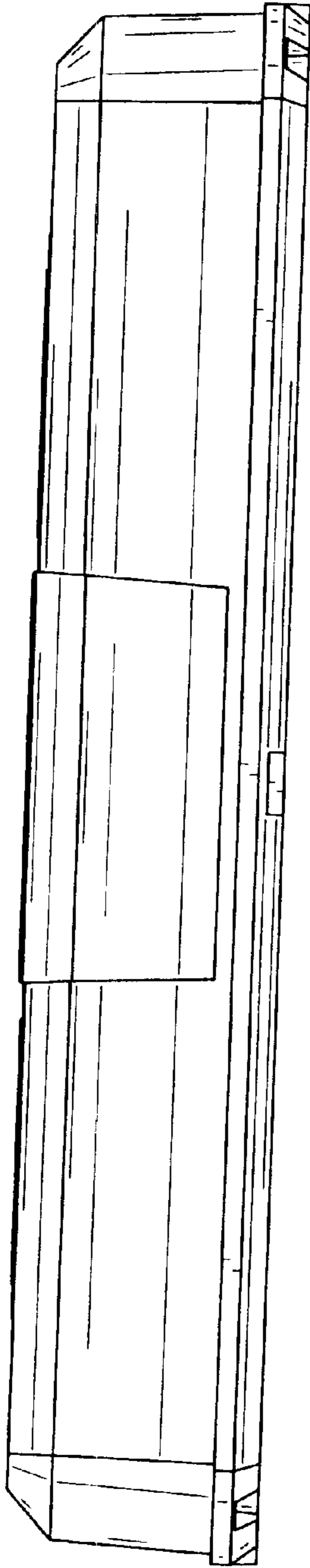


FIG. 7

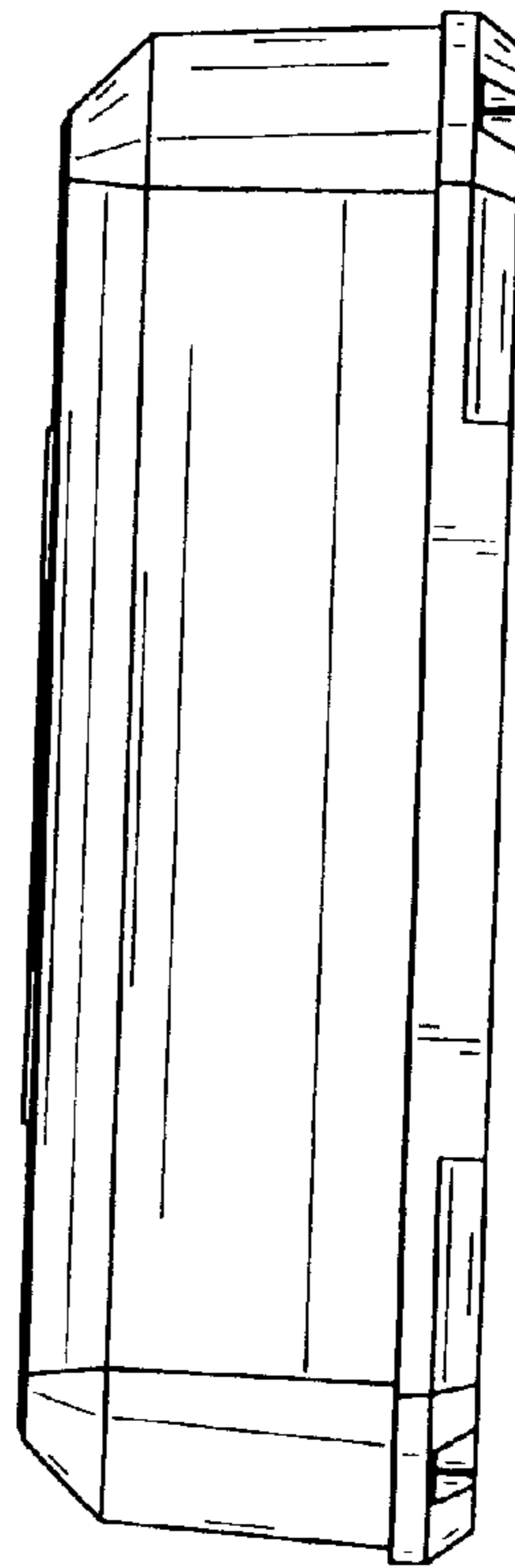


FIG. 8

UNITED STATES PATENT AND TRADEMARK OFFICE
CERTIFICATE OF CORRECTION

PATENT NO. : Des. 564,928 S
APPLICATION NO. : 29/256908
DATED : March 25, 2008
INVENTOR(S) : Belitz et al.

Page 1 of 1

It is certified that error appears in the above-identified patent and that said Letters Patent is hereby corrected as shown below:

On the Title Page, Item (56) "OTHER PUBLICATIONS"

After "Code3, PSEAMBERTM, 'LED XTM 2100 Mini Bars, Code 3' (2 pages), available in the U.S. prior to Mar. 27, 2006." INSERT:

-- Code 3, PSEAMBERTM, "Mounting Kits & Adapters, Code 3" (1 page), available in the U.S. prior to March 27, 2006. --

Signed and Sealed this

Nineteenth Day of August, 2008



JON W. DUDAS

Director of the United States Patent and Trademark Office