



US00D564925S

(12) **United States Design Patent**
Makkonen et al.

(10) **Patent No.:** **US D564,925 S**
(45) **Date of Patent:** **** Mar. 25, 2008**

(54) **FLOWMETER**

6,481,293 B1 11/2002 Walczak et al.
D483,276 S 12/2003 Schabbach
6,952,960 B2 10/2005 Nozoe et al.

(75) Inventors: **Harri Makkonen**, Muurame (FI);
Hannu Trygg, Jyväskylä (FI)

Primary Examiner—Antoine D. Davis
(74) *Attorney, Agent, or Firm*—Ladas and Parry LLP

(73) Assignee: **John Crane Safematic Oy**

(**) Term: **14 Years**

(57) **CLAIM**

(21) Appl. No.: **29/289,120**

We claim the ornamental design for a flowmeter, as shown.

(22) Filed: **Jul. 6, 2007**

DESCRIPTION

Related U.S. Application Data

(62) Division of application No. 29/237,172, filed on Aug. 26, 2005, now Pat. No. Des. 551,999.

FIG. 1 is a perspective view as seen from the top and front of a first embodiment of a flowmeter showing our new design;

FIG. 2 is a perspective view thereof as seen from the top and rear;

FIG. 3 is a bottom view thereof;

FIG. 4 is a front view thereof;

FIG. 5 is a top view thereof;

FIG. 6 is a right side view thereof;

FIG. 7 is a left side view thereof;

FIG. 8 is a rear view thereof;

FIG. 9 is a perspective view as seen from the top and front of a second embodiment of the flowmeter showing our new design;

FIG. 10 is a perspective view thereof as seen from the top and rear;

FIG. 11 is a bottom view thereof;

FIG. 12 is a front view thereof;

FIG. 13 is a top view thereof;

FIG. 14 is a right side view thereof;

FIG. 15 is a left side view thereof; and,

FIG. 16 is a rear view thereof.

(30) **Foreign Application Priority Data**

Mar. 16, 2005 (FI) M20050045

(51) **LOC (8) Cl.** **10-04**

(52) **U.S. Cl.** **D10/96**

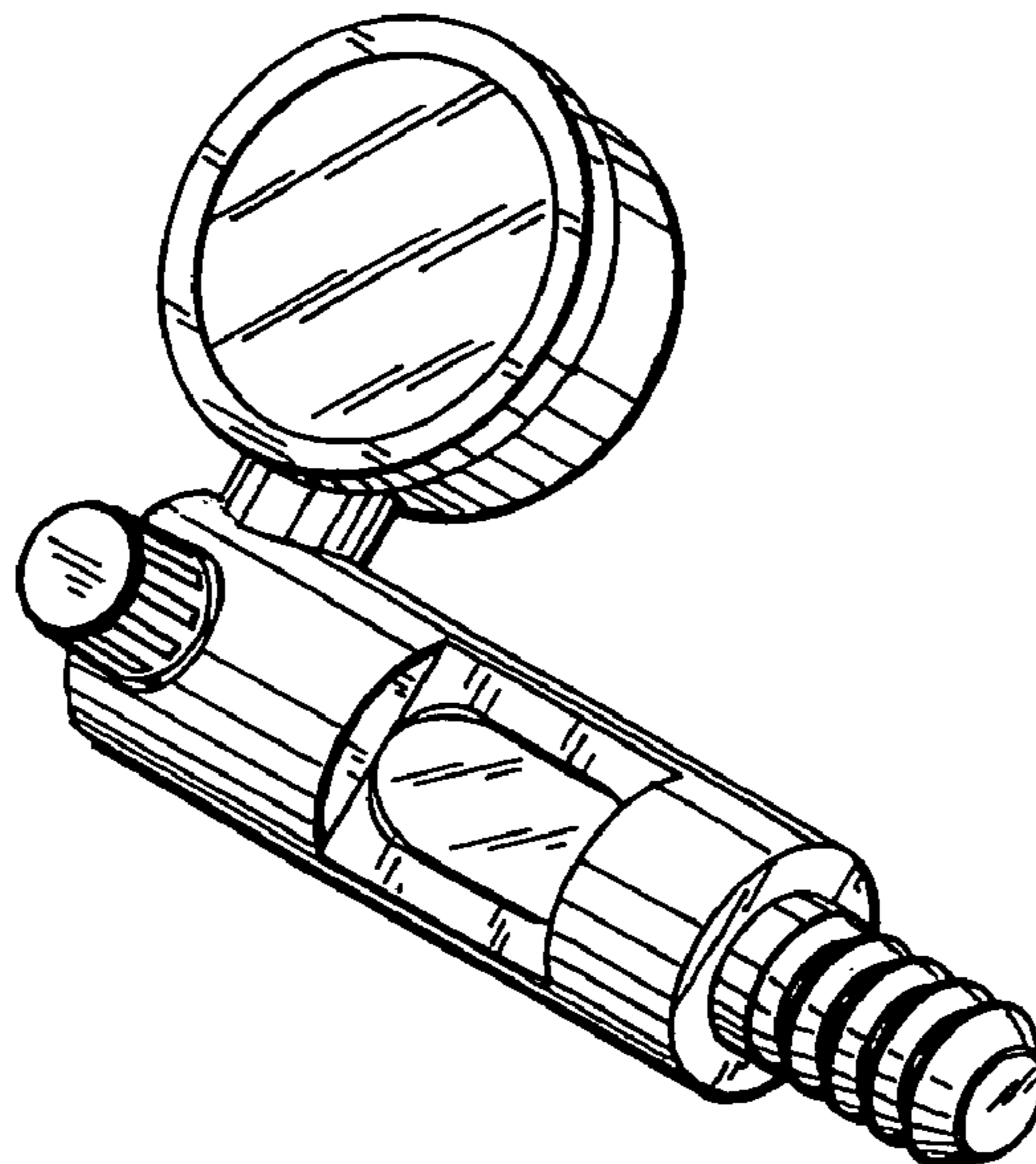
(58) **Field of Classification Search** D10/96;
73/861.78, 431, 204.21, 1, 223, 323, 325;
116/274, 273, 276, 264; 310/75 A, 78
See application file for complete search history.

(56) **References Cited**

U.S. PATENT DOCUMENTS

D255,999 S	7/1980	Molijn
D256,000 S	7/1980	Molijn
4,421,417 A	12/1983	McQuade
4,700,579 A	10/1987	Hall
D297,716 S	9/1988	Rosaen
D305,209 S	12/1989	Esau
D315,526 S	3/1991	Esau
5,199,307 A	4/1993	Onoda et al.
D348,616 S	7/1994	Apigian et al.
5,645,011 A	7/1997	Winkler et al.
5,661,461 A	8/1997	Wiseman

1 Claim, 2 Drawing Sheets



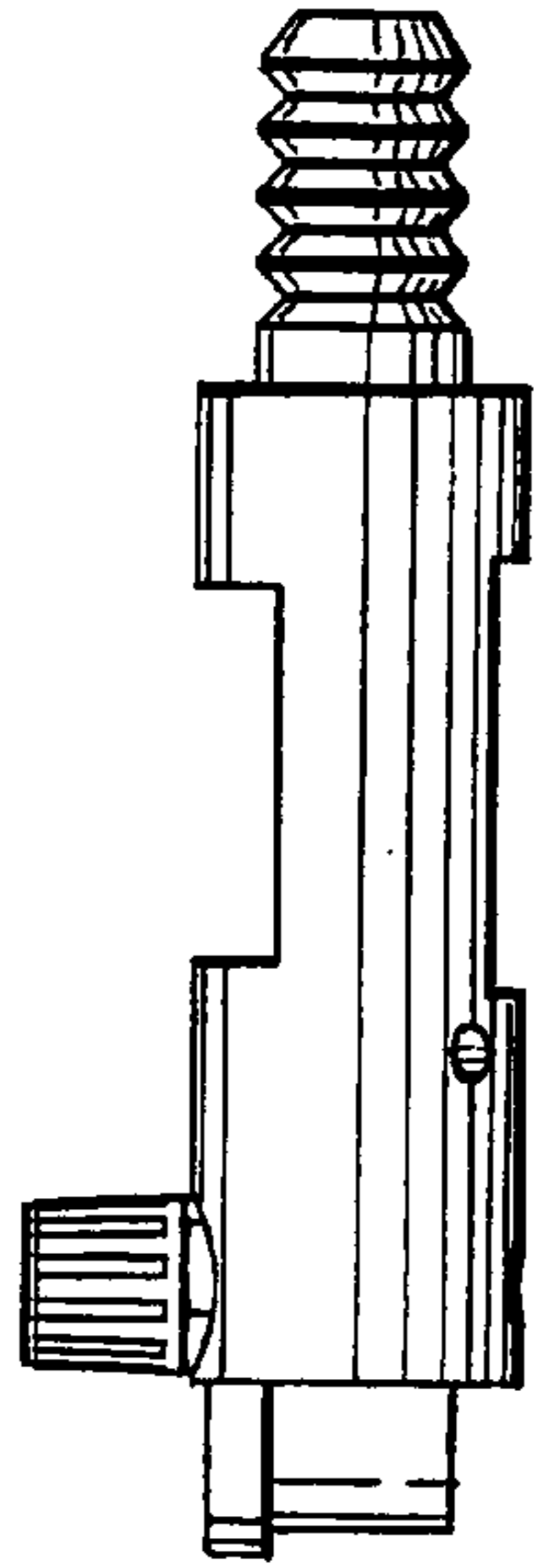


Fig. 3

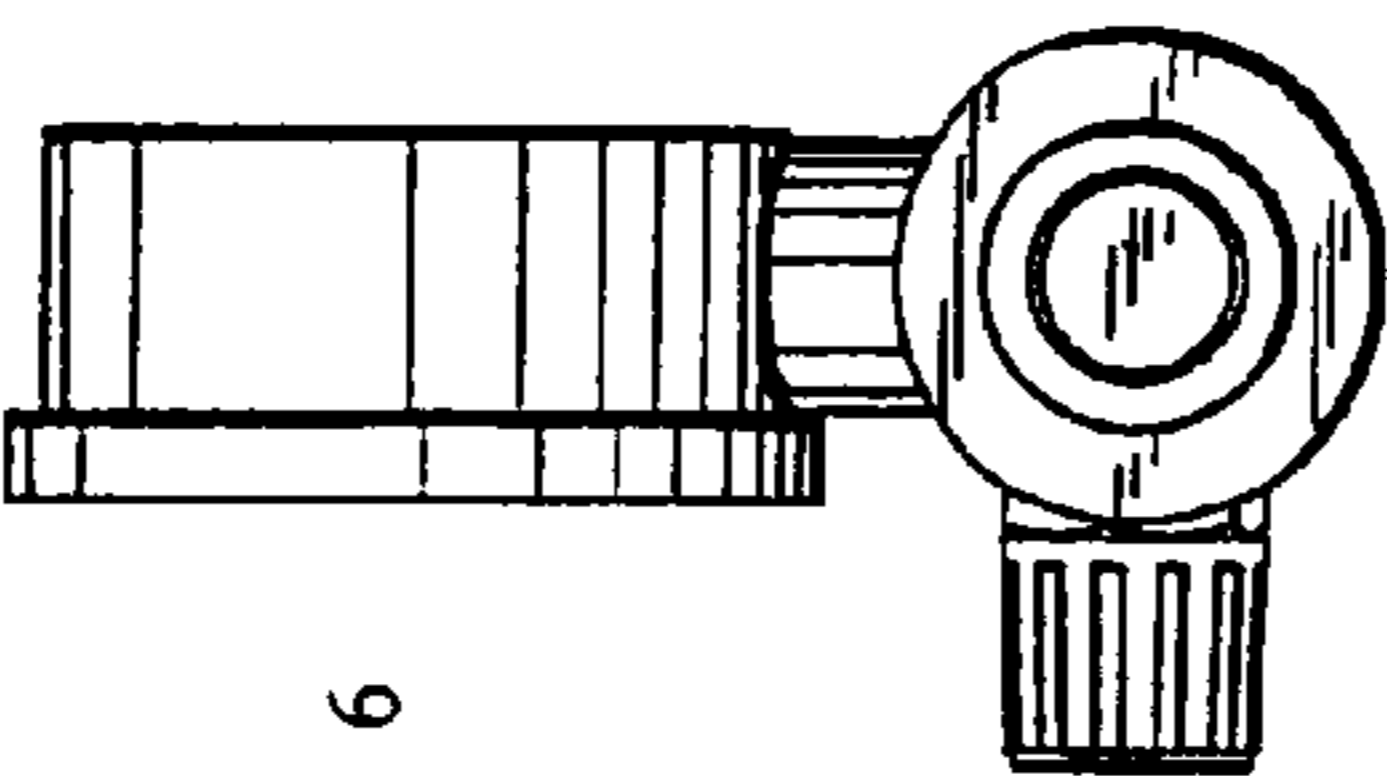


Fig. 6

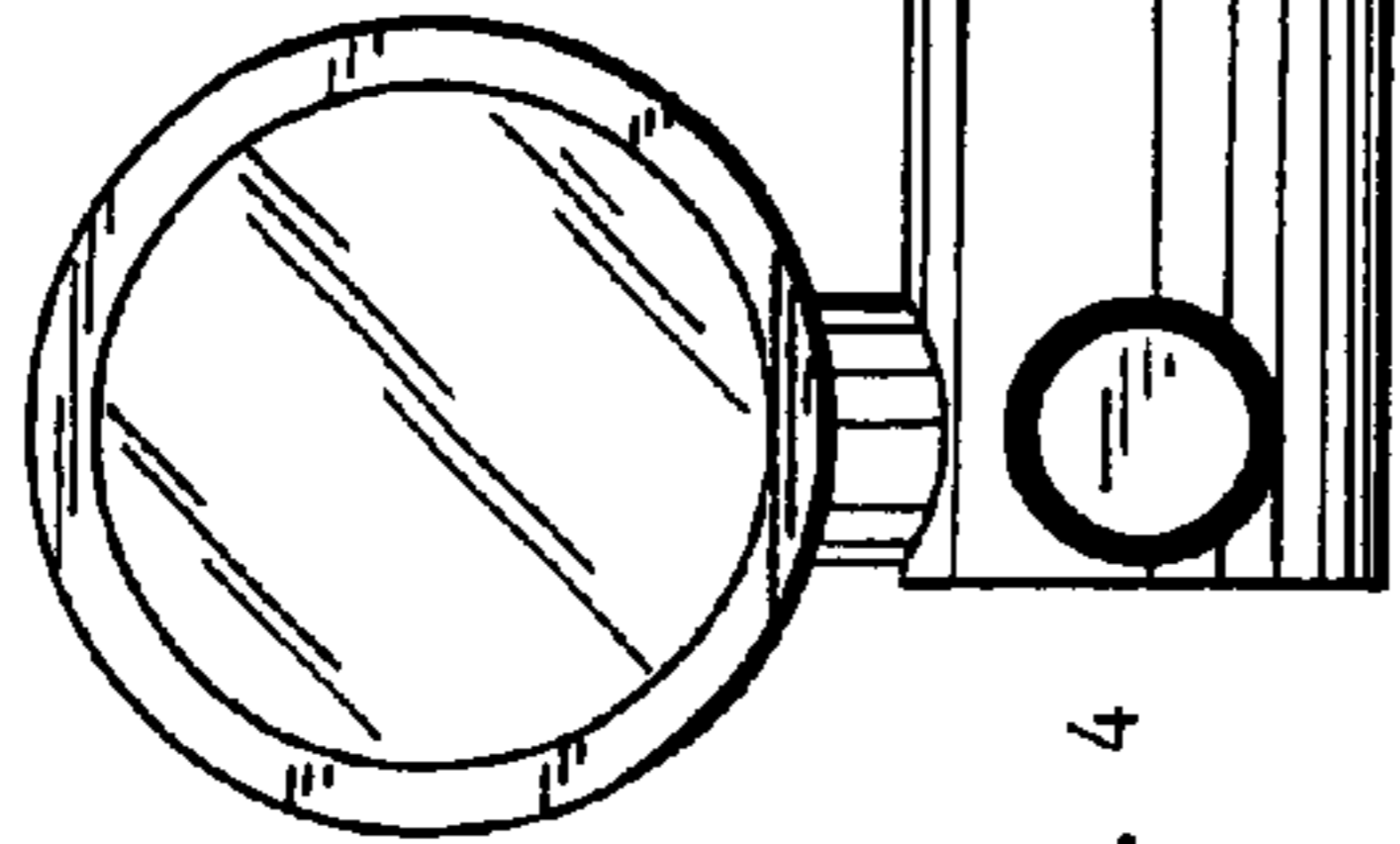


Fig. 4

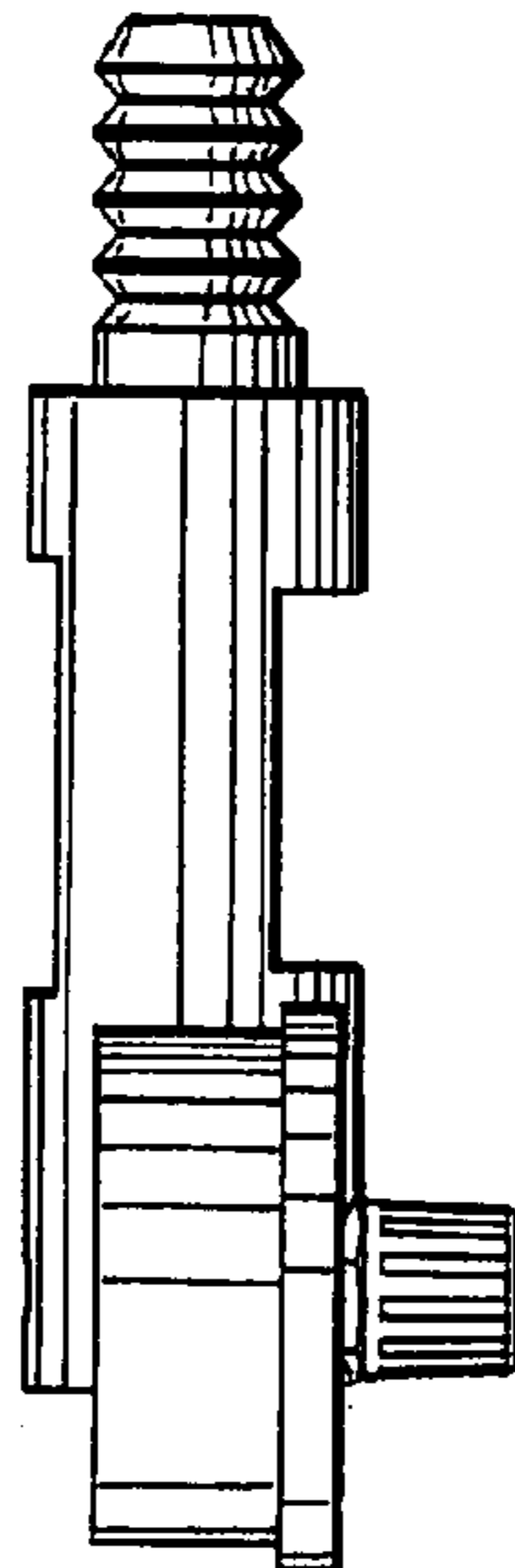


Fig. 5

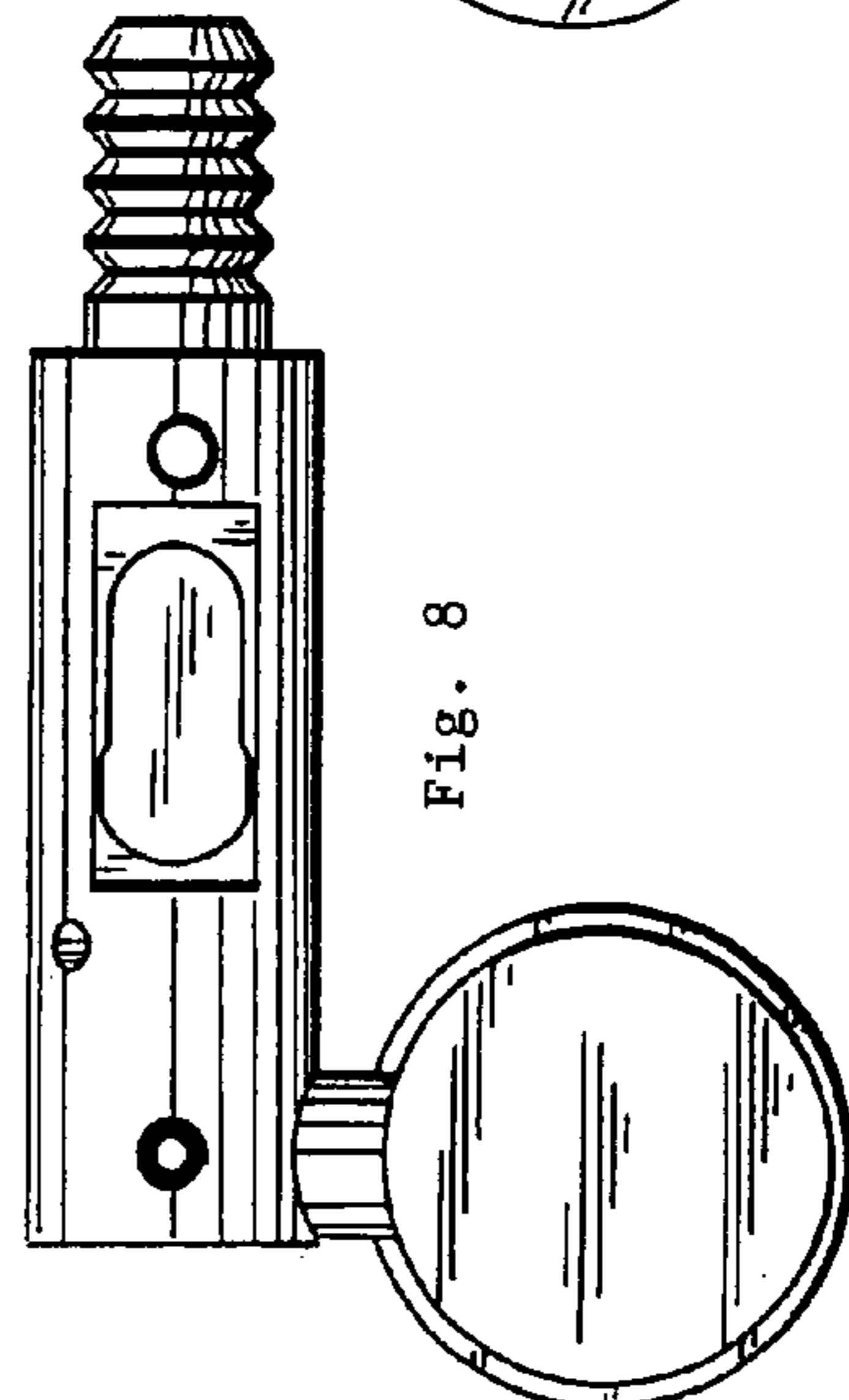


Fig. 8

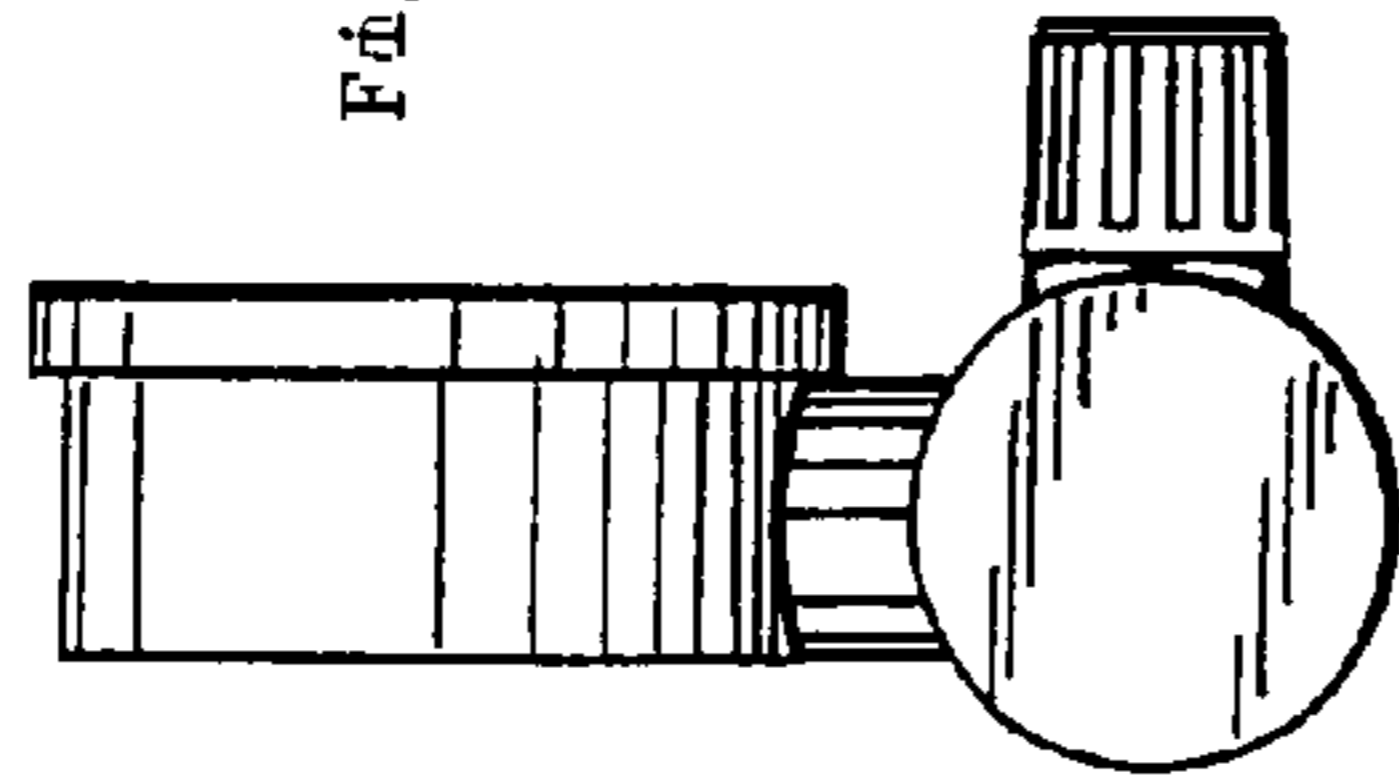


Fig. 7

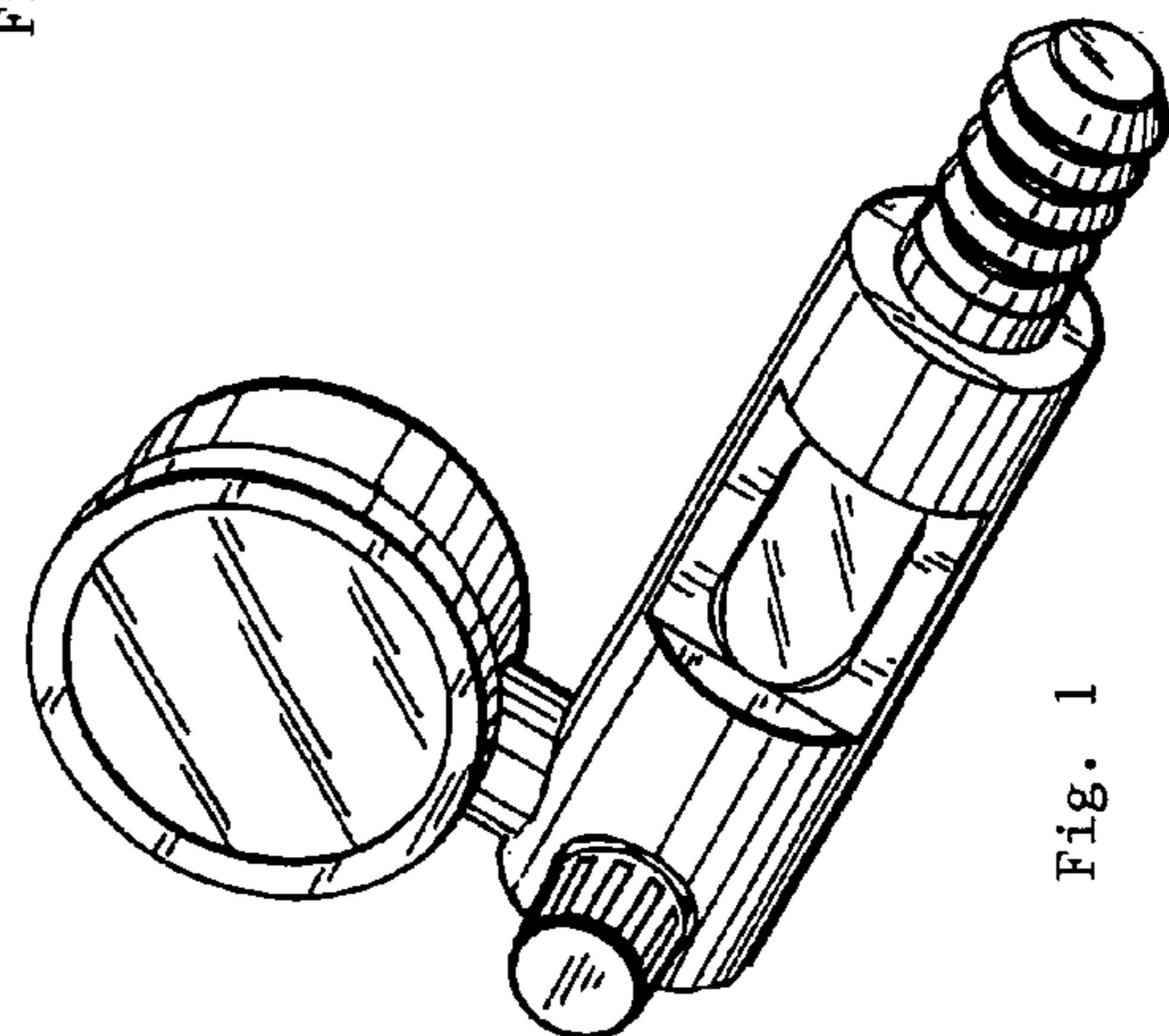


Fig. 1

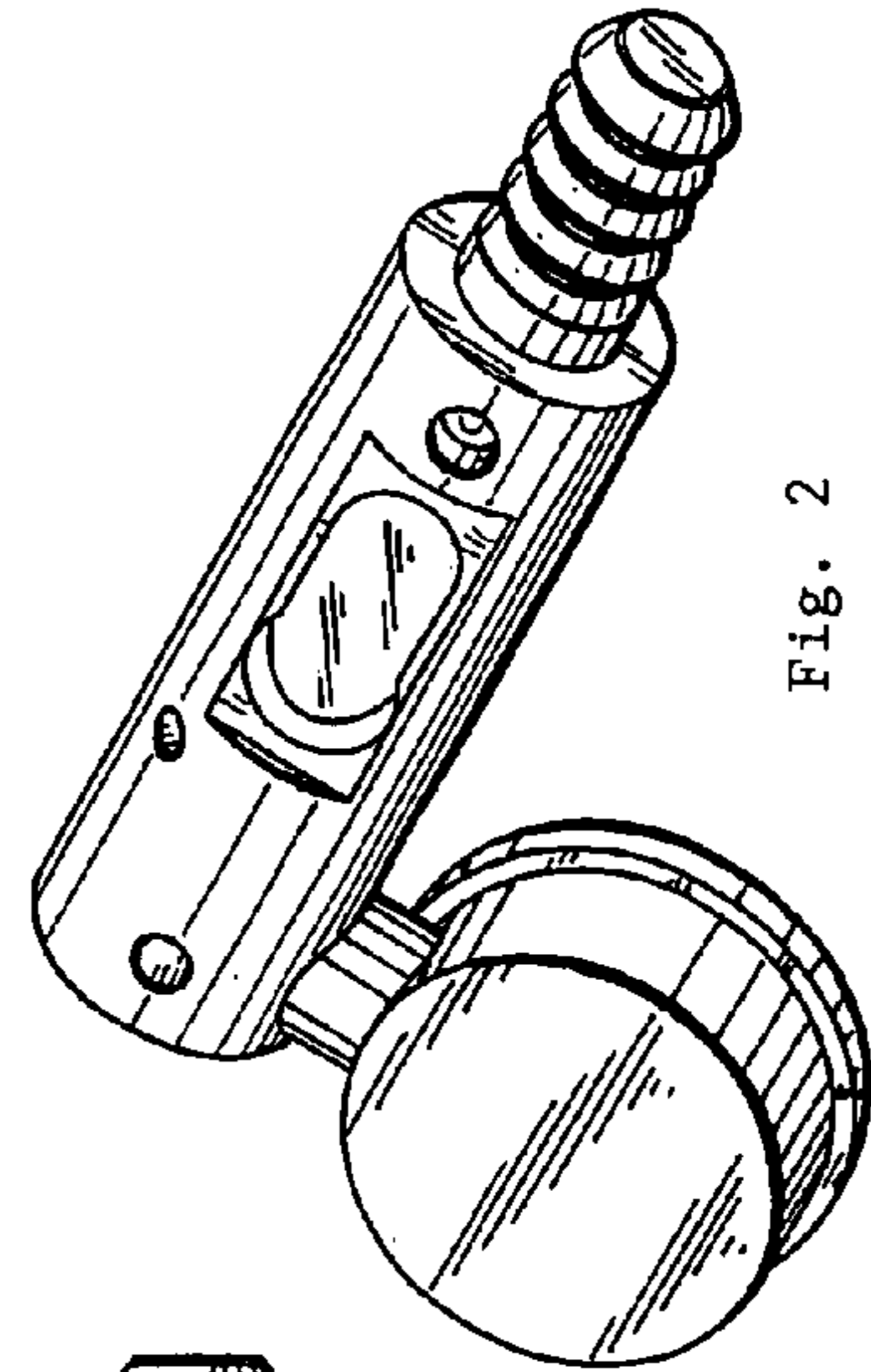


Fig. 2

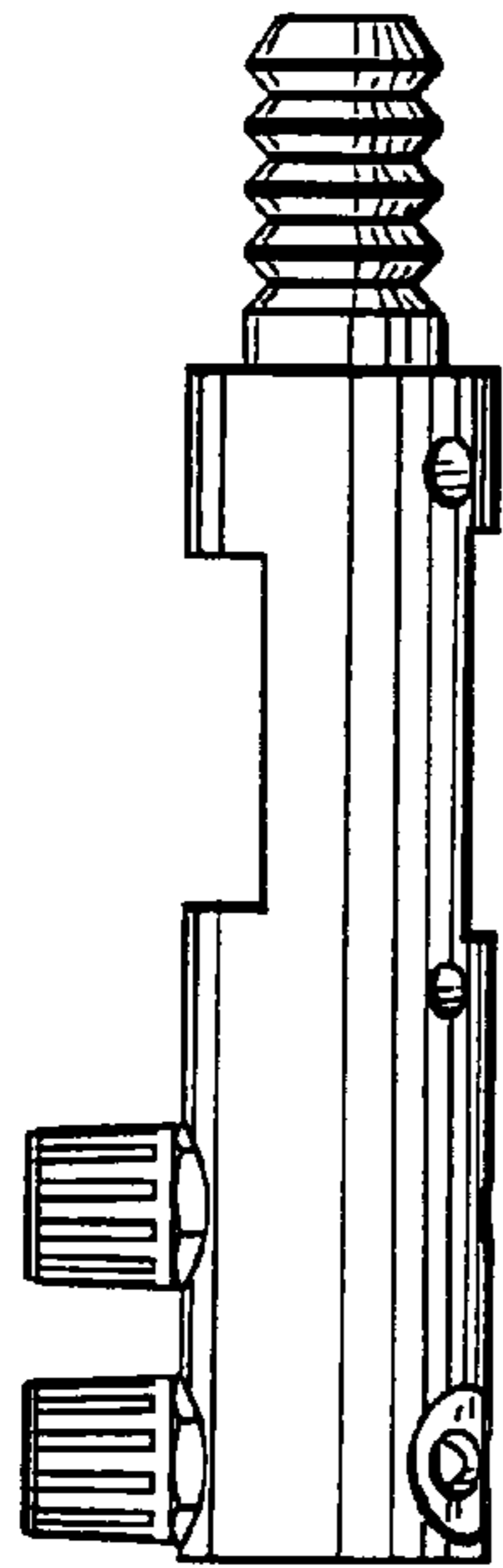


Fig. 11

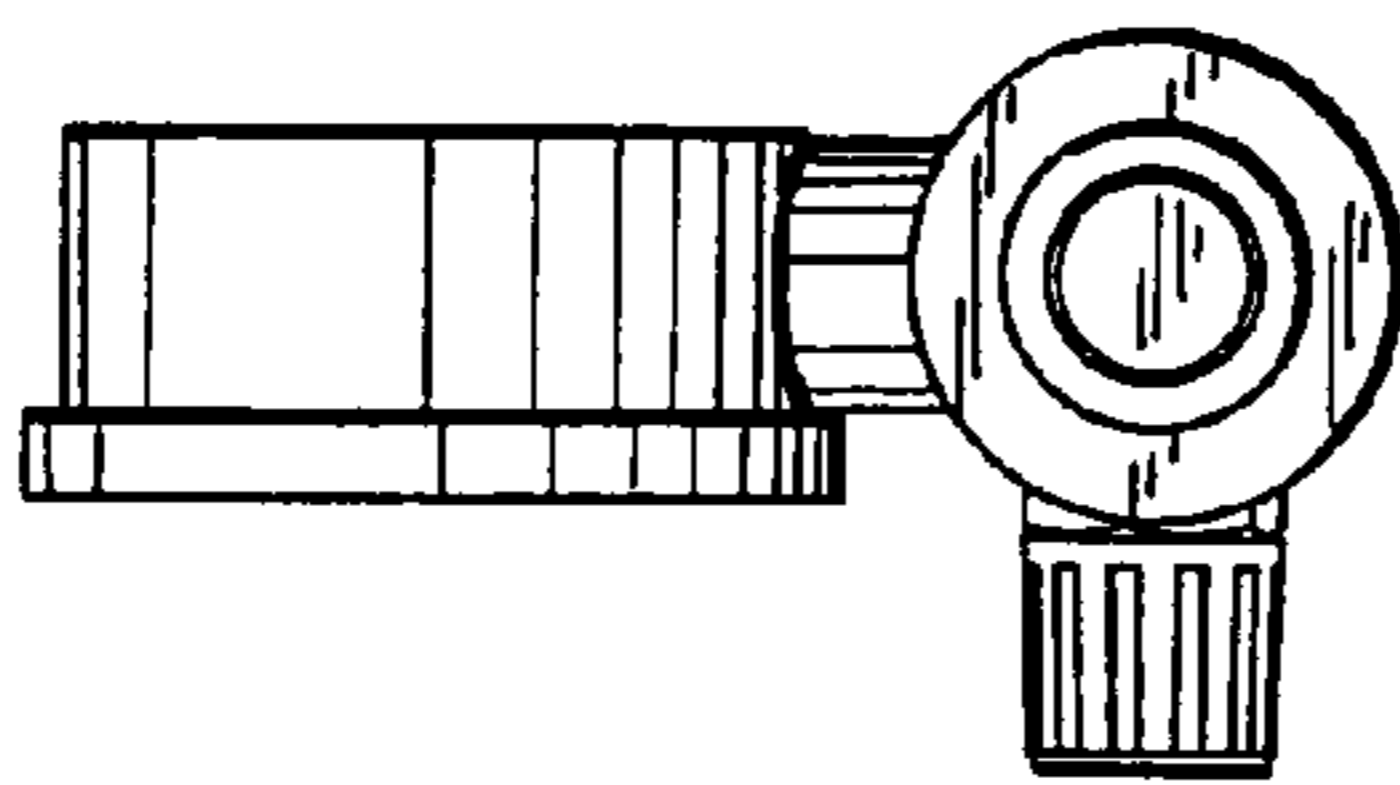


Fig. 14

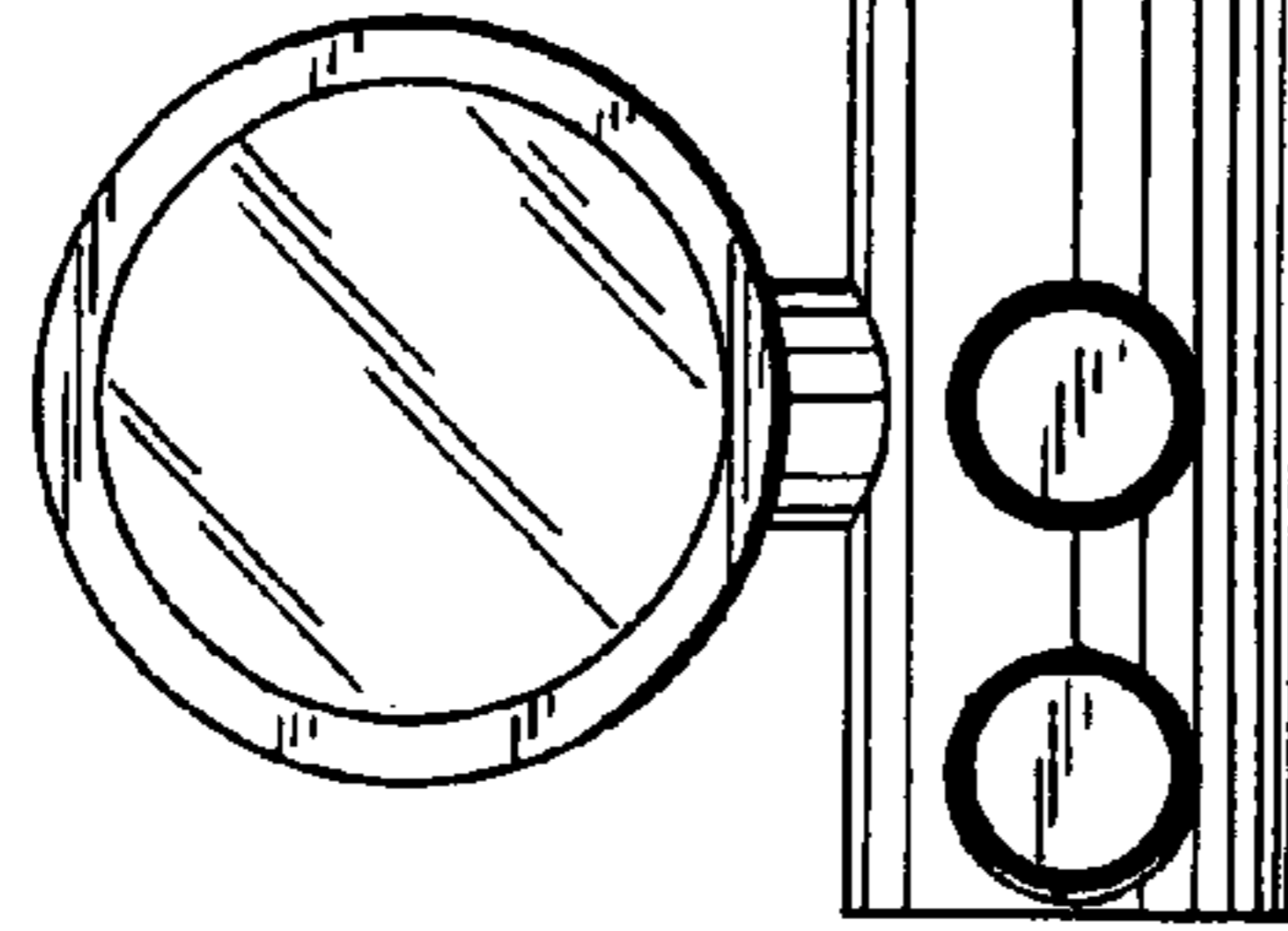


Fig. 12

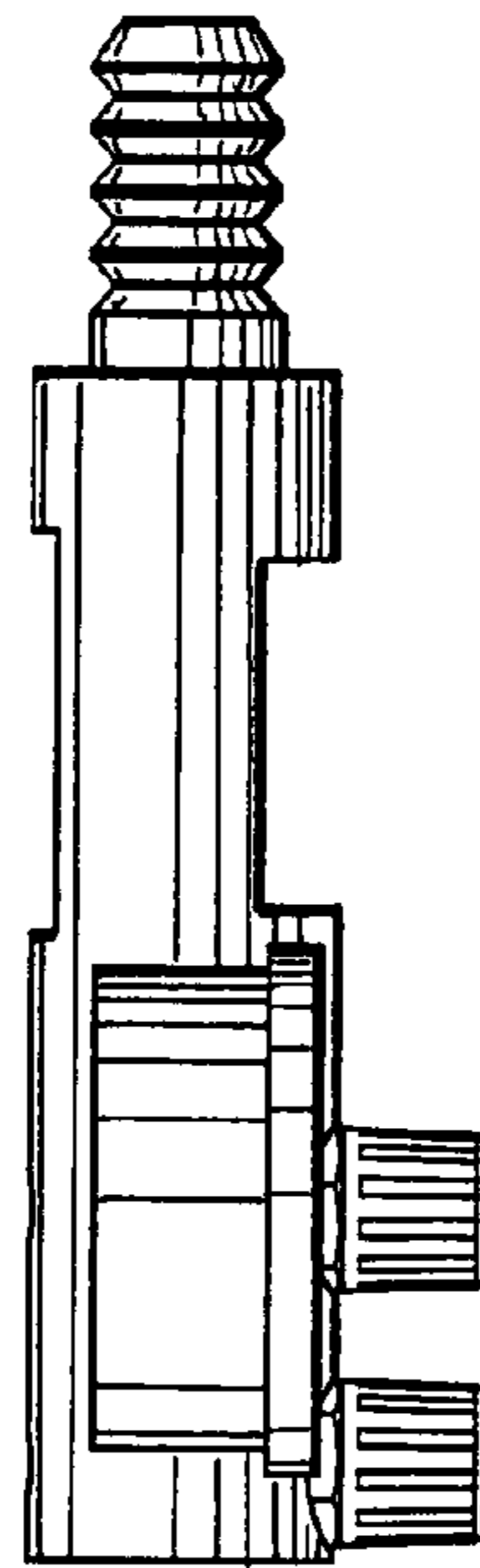


Fig. 13

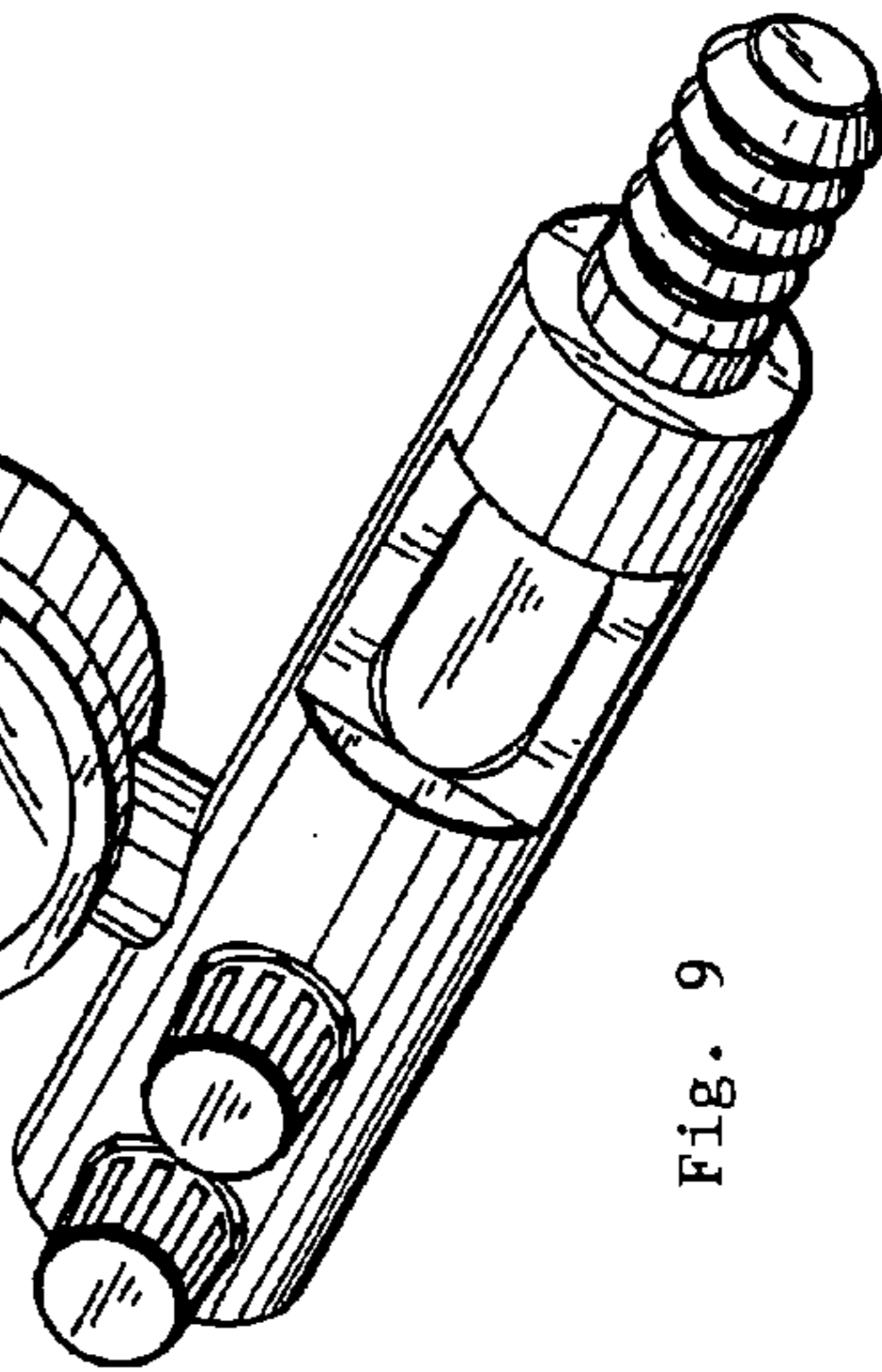


Fig. 9

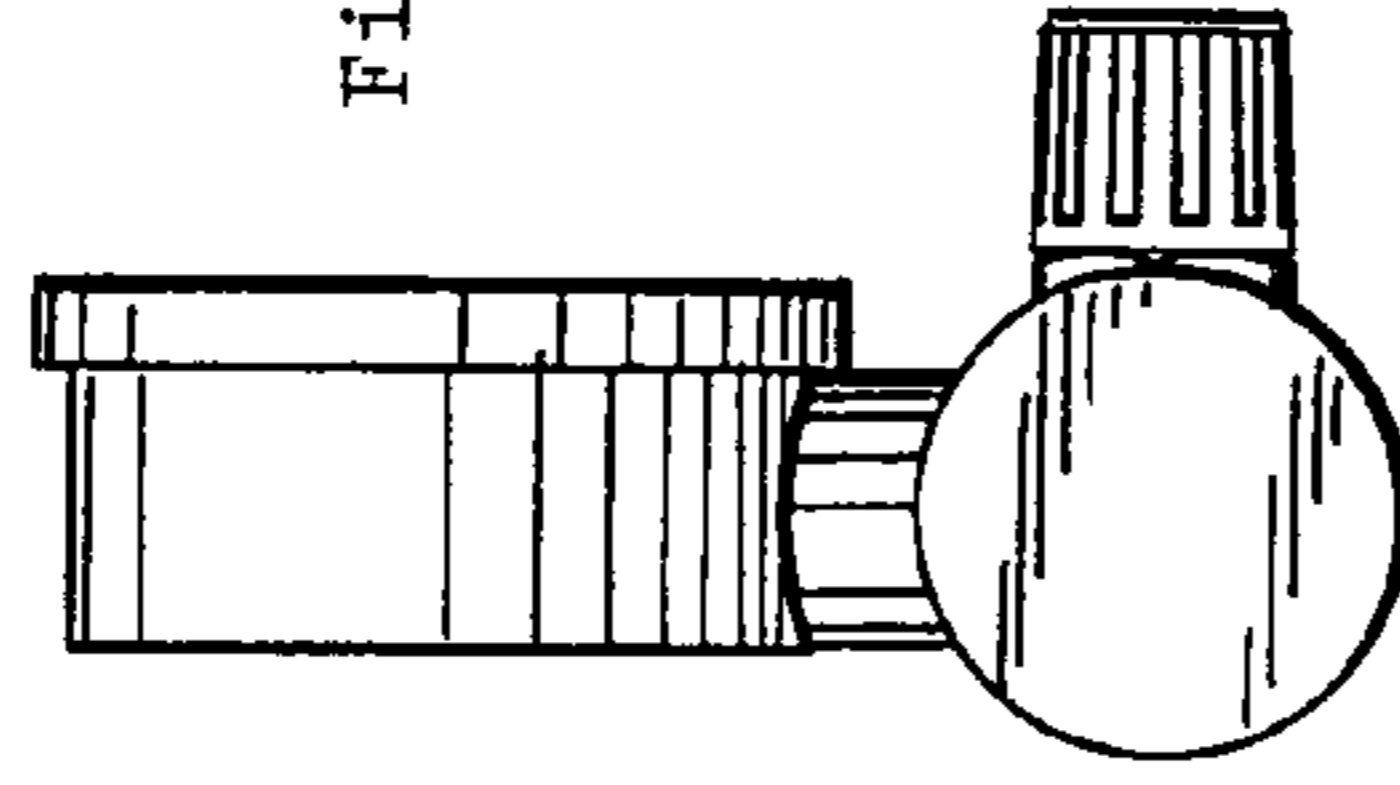


Fig. 15

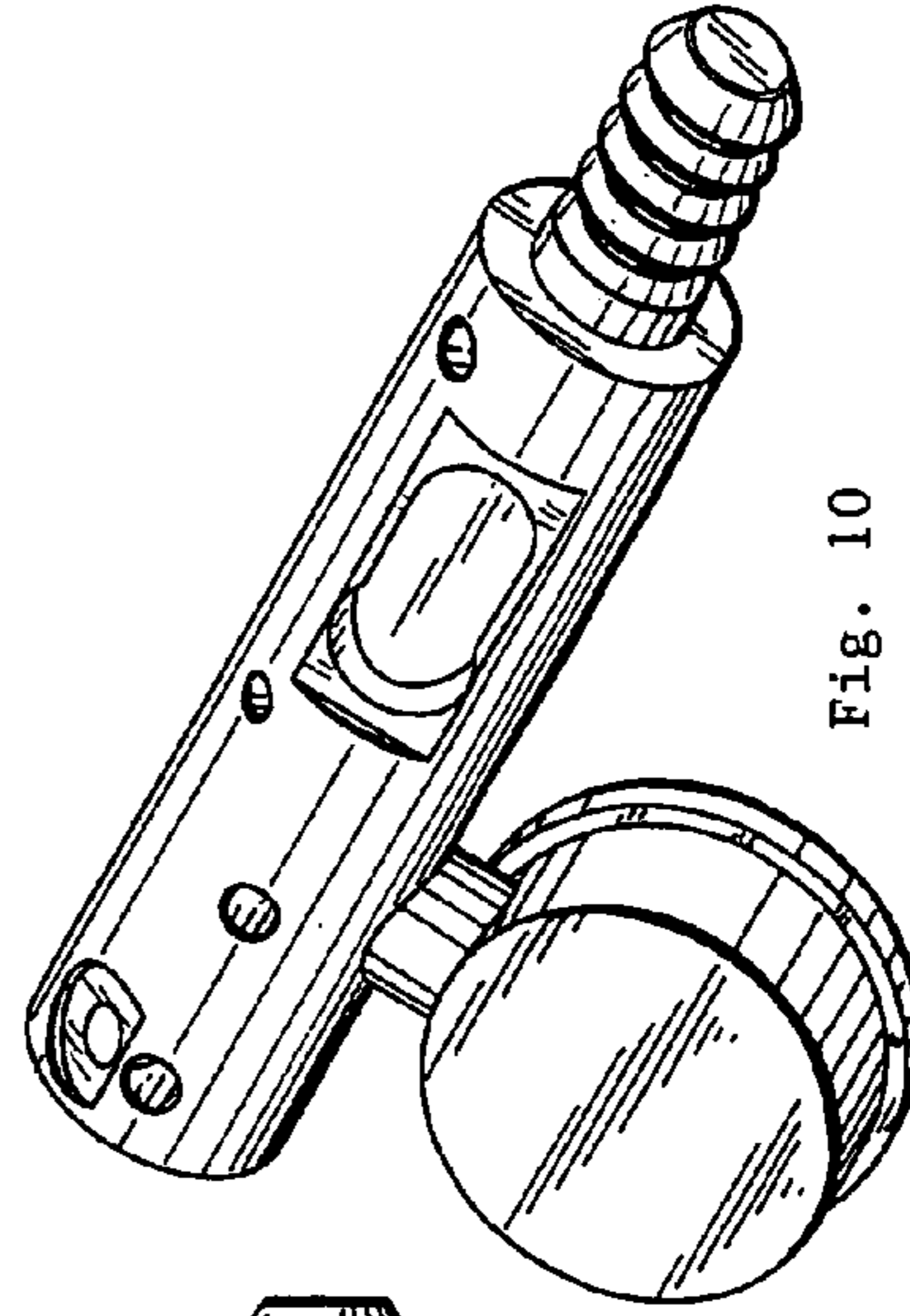


Fig. 10

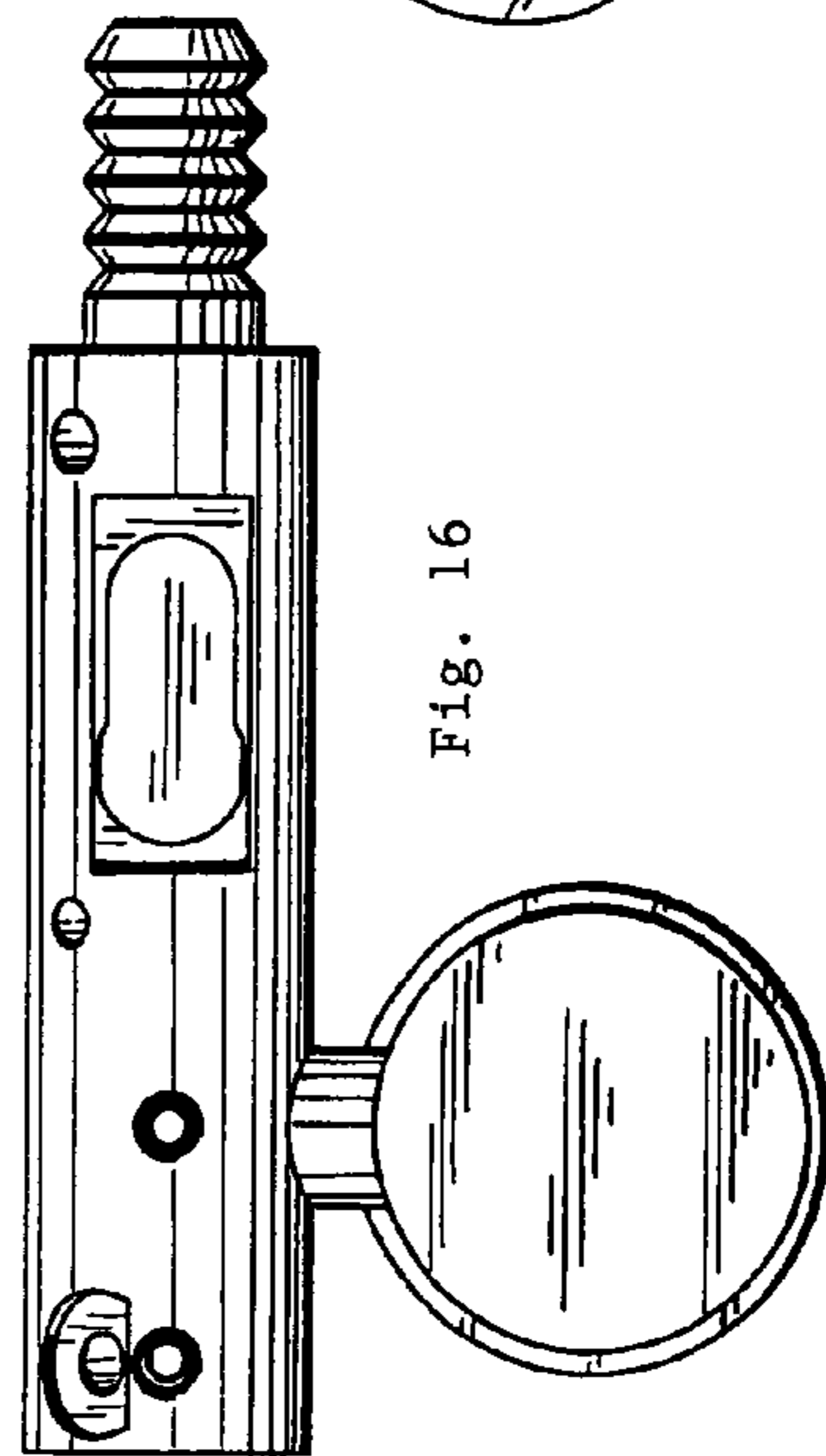


Fig. 16