



US00D564923S

(12) **United States Design Patent**  
**Levinson**

(10) **Patent No.:** **US D564,923 S**

(45) **Date of Patent:** **\*\* Mar. 25, 2008**

(54) **SPIRIT LEVEL END CAP**

7,150,106 B2 \* 12/2006 Kallabis et al. .... 33/379  
7,204,029 B2 \* 4/2007 Tran et al. .... 33/379

(75) Inventor: **Amy Levinson, Amiad (IL)**

\* cited by examiner

(73) Assignee: **Kapro Industries, Ltd., Hakarem (IL)**

*Primary Examiner*—Antoine D. Davis

(\*\*) Term: **14 Years**

(74) *Attorney, Agent, or Firm*—Harold L. Novick; The Nath Law Group

(21) Appl. No.: **29/270,573**

(57) **CLAIM**

(22) Filed: **Dec. 28, 2006**

The ornamental design for a spirit level end cap, as shown and described.

(51) **LOC (8) Cl.** ..... **10-04**

(52) **U.S. Cl.** ..... **D10/69**

(58) **Field of Classification Search** ..... D10/69;  
33/365, 366.11–366.27, 367–391

**DESCRIPTION**

See application file for complete search history.

FIG. 1 is a top perspective view of a spirit level including a spirit level end cap of the present invention, the spirit level is shown in dashed lines for illustrative purposes only and forms no part of the design;

(56) **References Cited**

U.S. PATENT DOCUMENTS

D222,722 S	12/1971	Ostrager
4,463,501 A	8/1984	Wright et al.
D311,341 S	10/1990	Lewis et al.
4,979,310 A	12/1990	Wright
5,001,838 A	3/1991	Huxley et al.
5,412,876 A	5/1995	Scheyer
5,433,011 A	7/1995	Scarborough et al.
D388,719 S	1/1998	Kohner
5,709,034 A	1/1998	Kohner
D440,507 S	4/2001	Krehel et al.
D459,251 S	6/2002	Scheyer
D470,388 S	2/2003	Levinson
6,675,490 B1	1/2004	Krehel et al.
D506,691 S	6/2005	Levinson
D519,393 S	4/2006	Levinson

FIG. 2 is a top perspective view of the spirit level end cap of FIG. 1;

FIG. 3 is a front or rear view thereof;

FIG. 4 is a top view thereof;

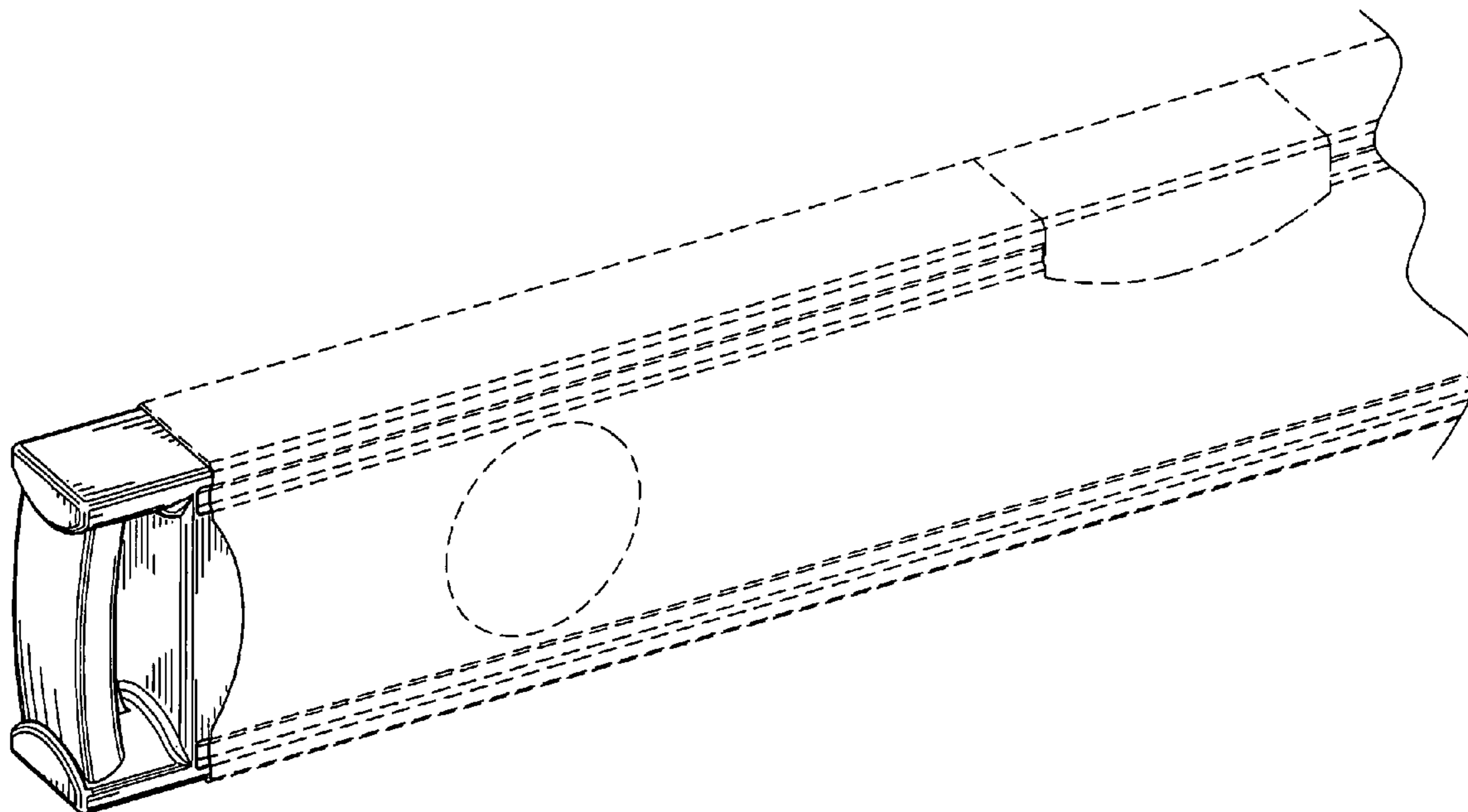
FIG. 5 is a bottom view thereof;

FIG. 6 is left view thereof;

FIG. 7 is a right view thereof; and,

FIG. 8 is a top perspective view of a spirit level including a pair of spirit level end caps of the present invention, the spirit level is shown in dashed lines for illustrative purposes only and forms no part of the design.

**1 Claim, 5 Drawing Sheets**



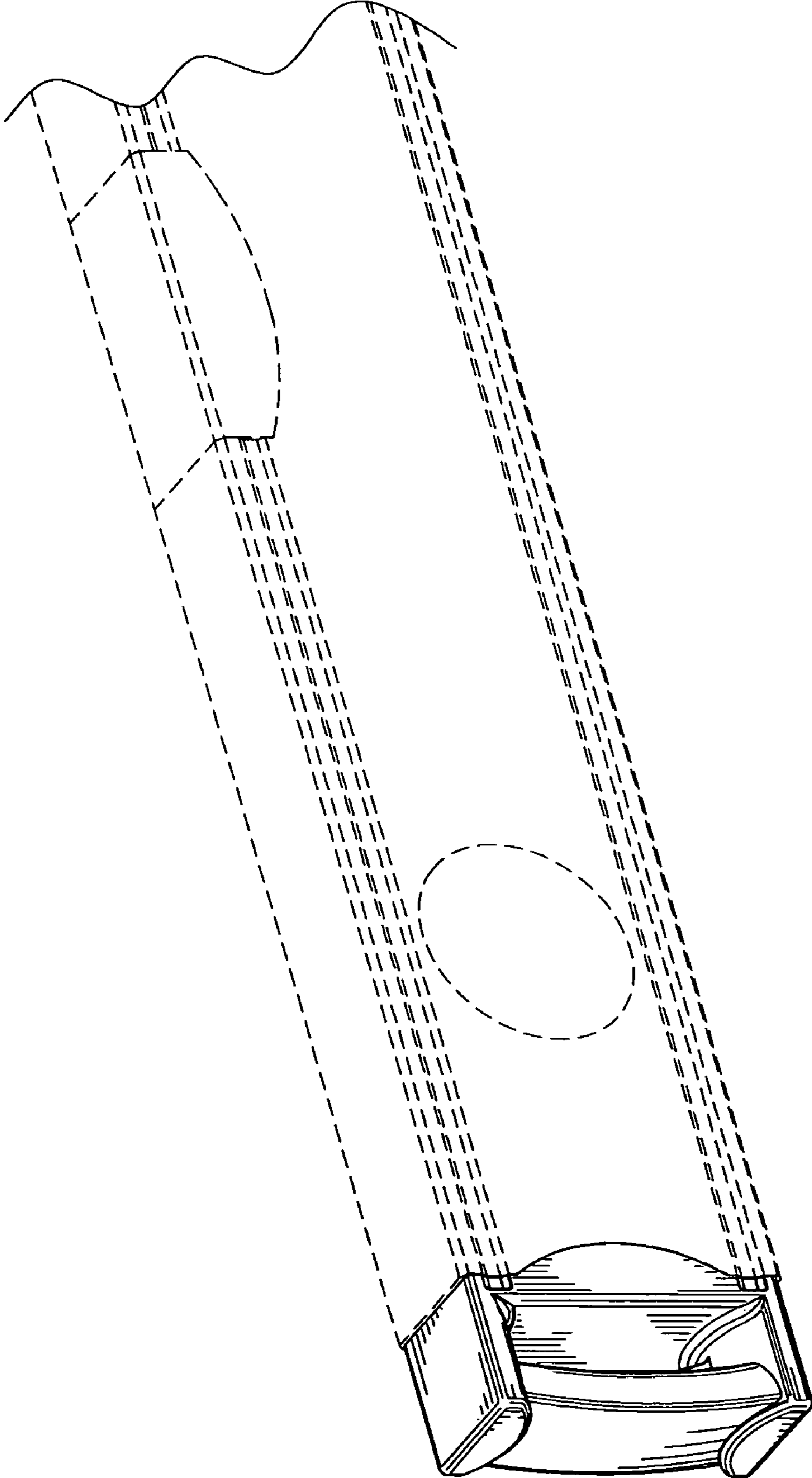


FIG.1

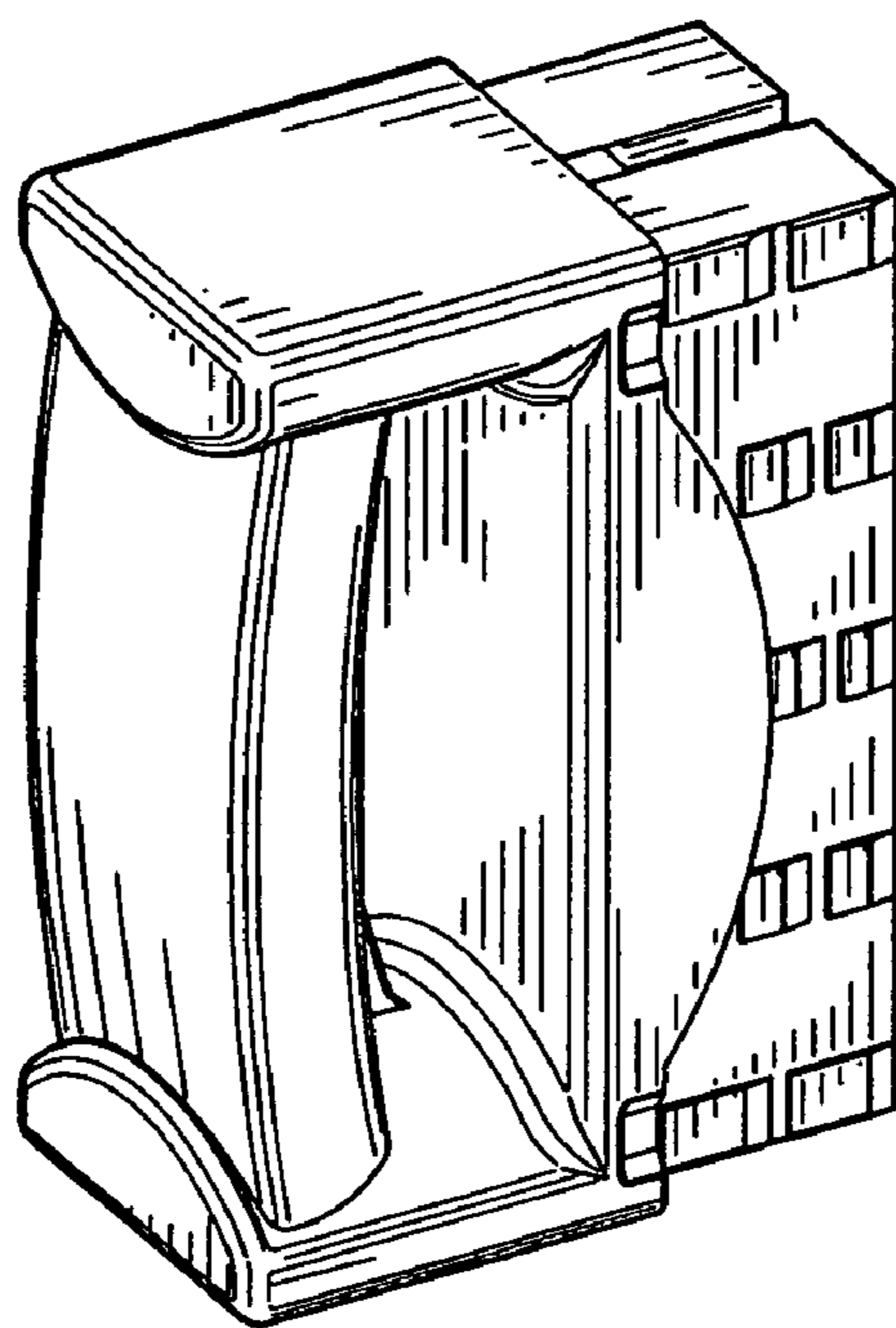


FIG. 2

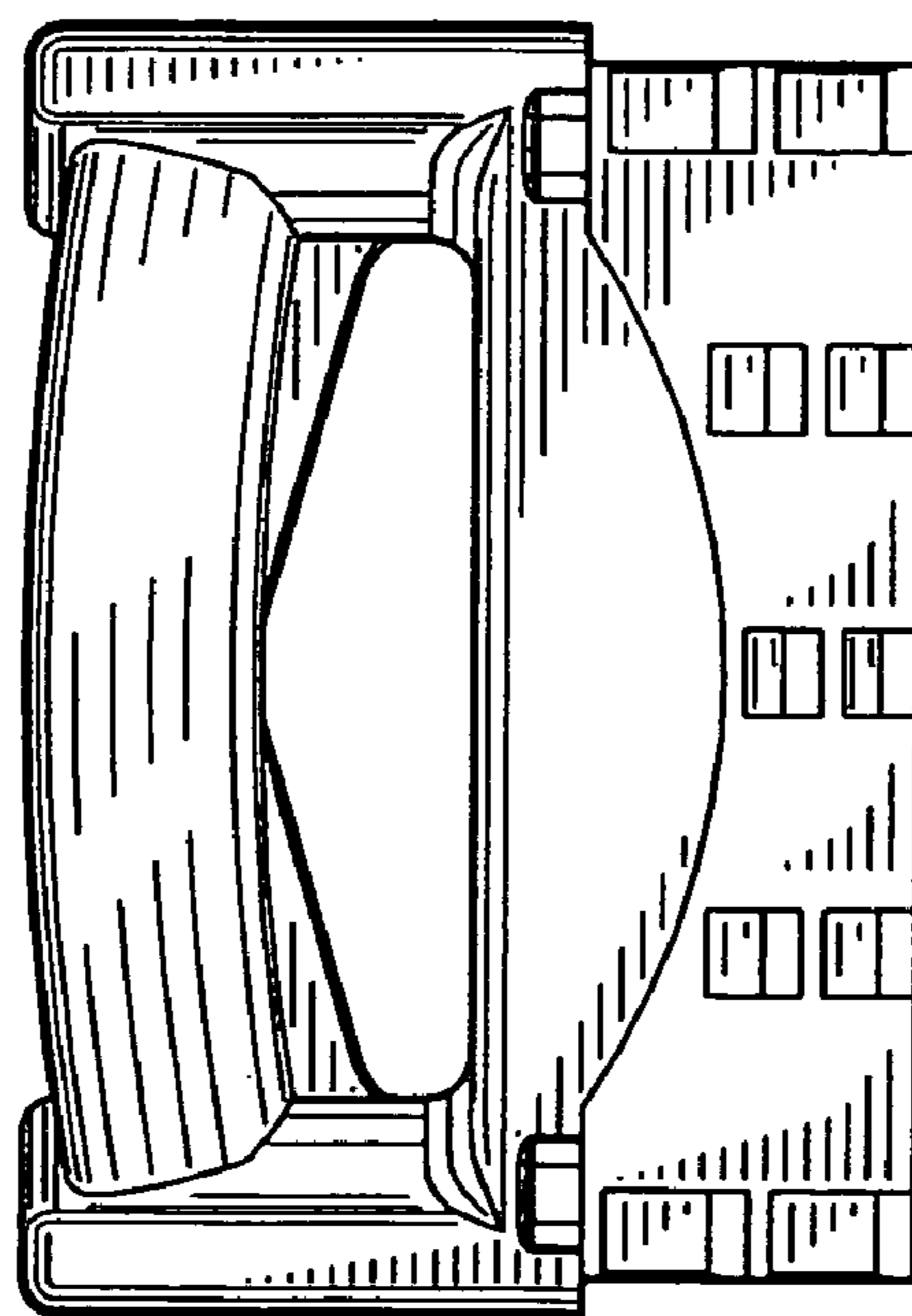


FIG. 3

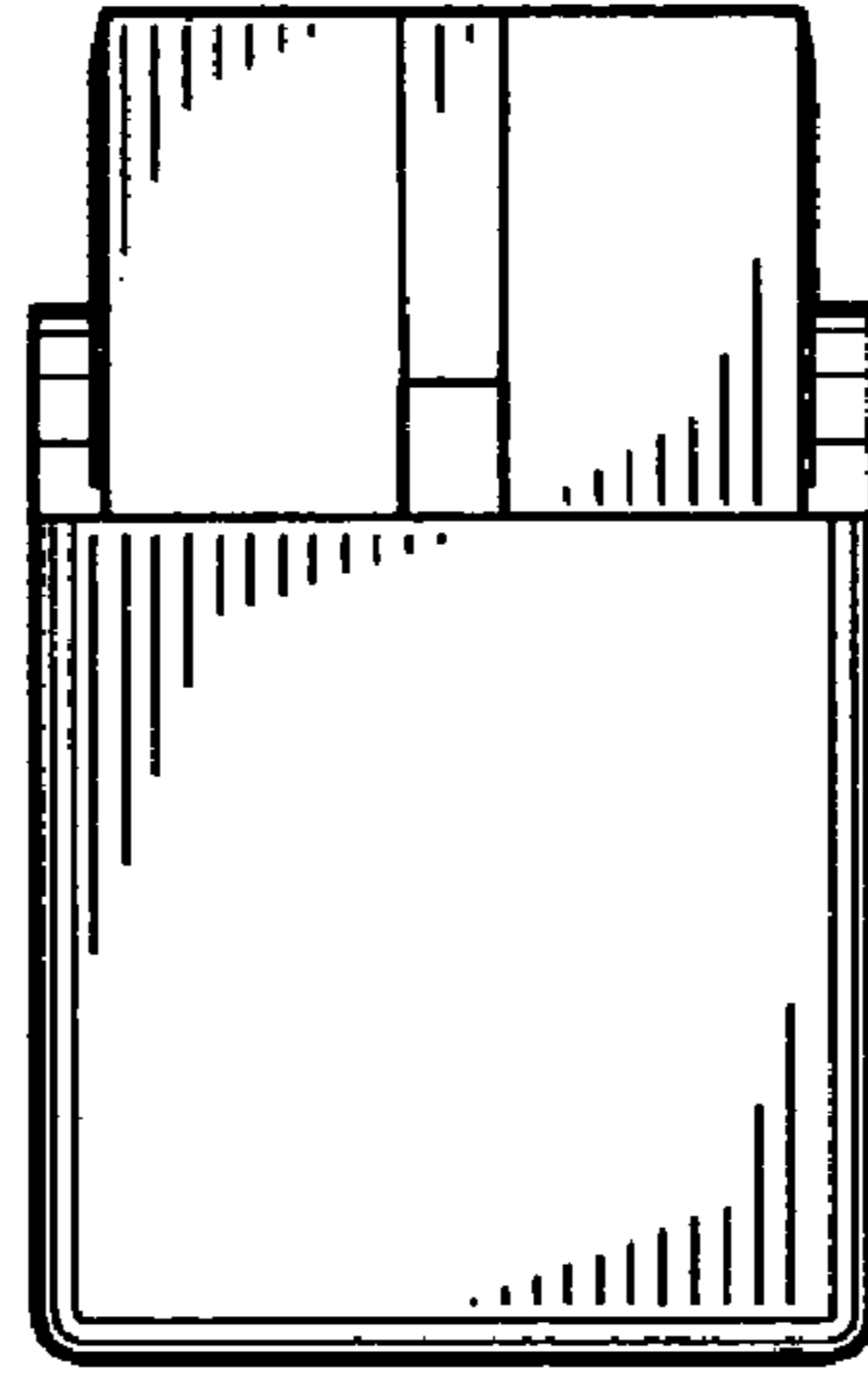


FIG. 4

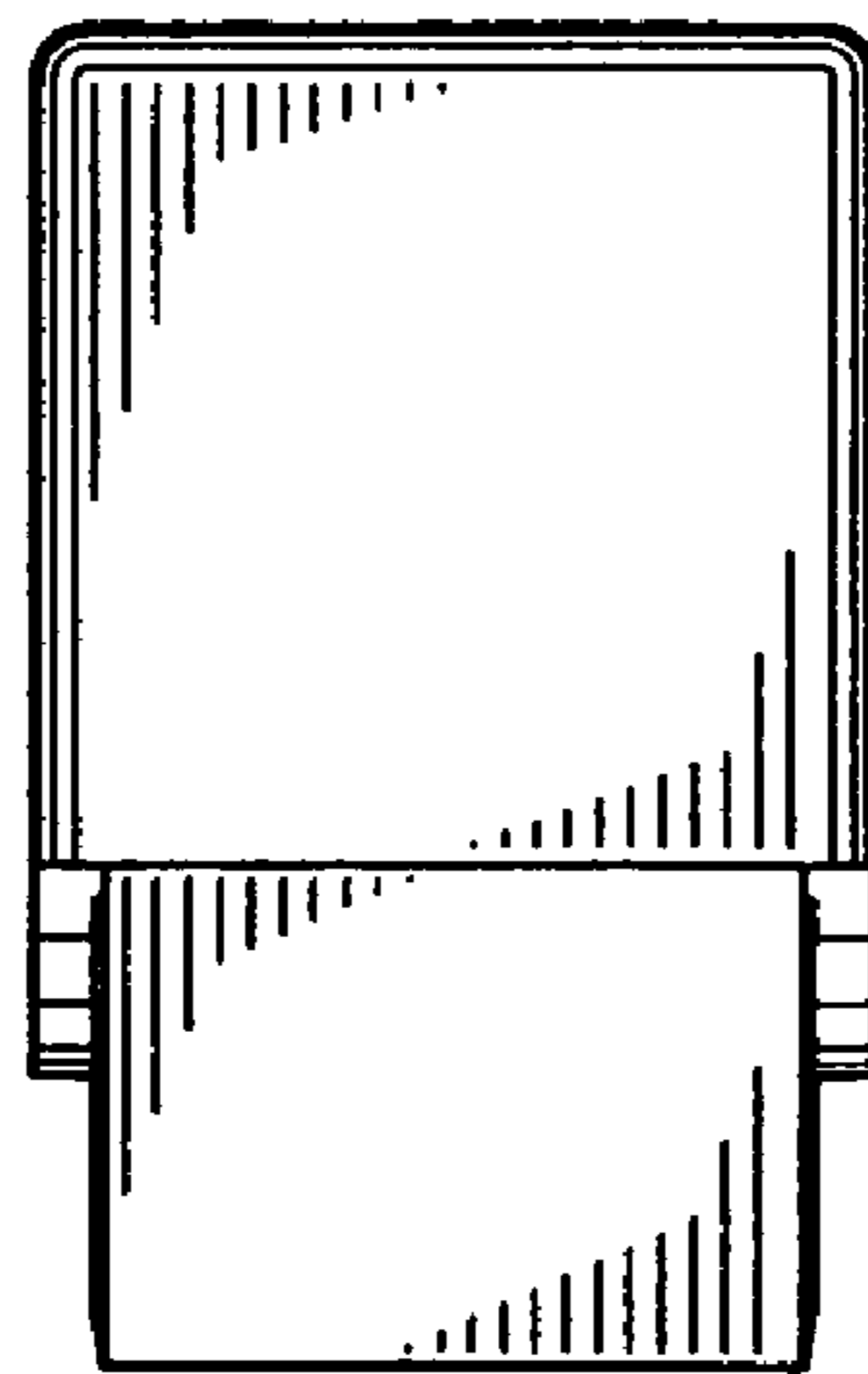


FIG. 5

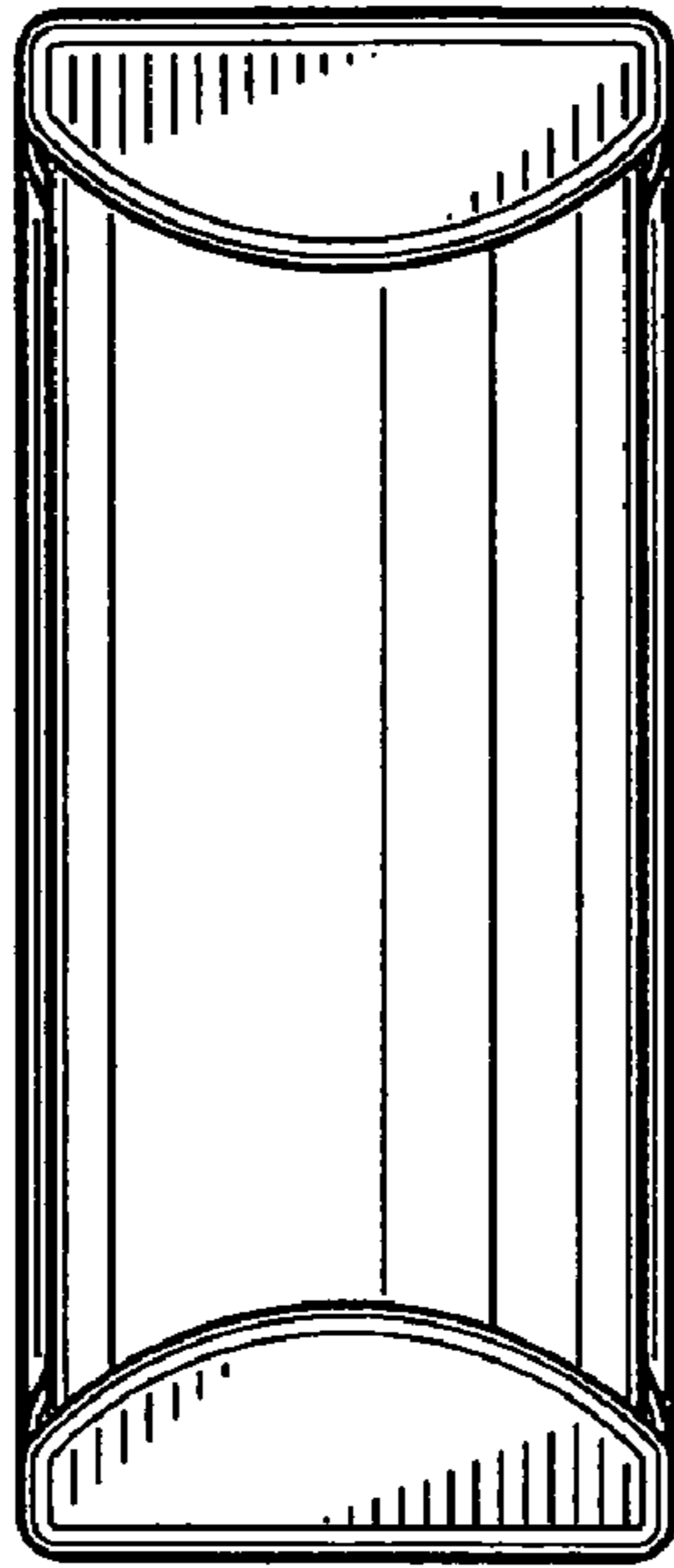


FIG. 6

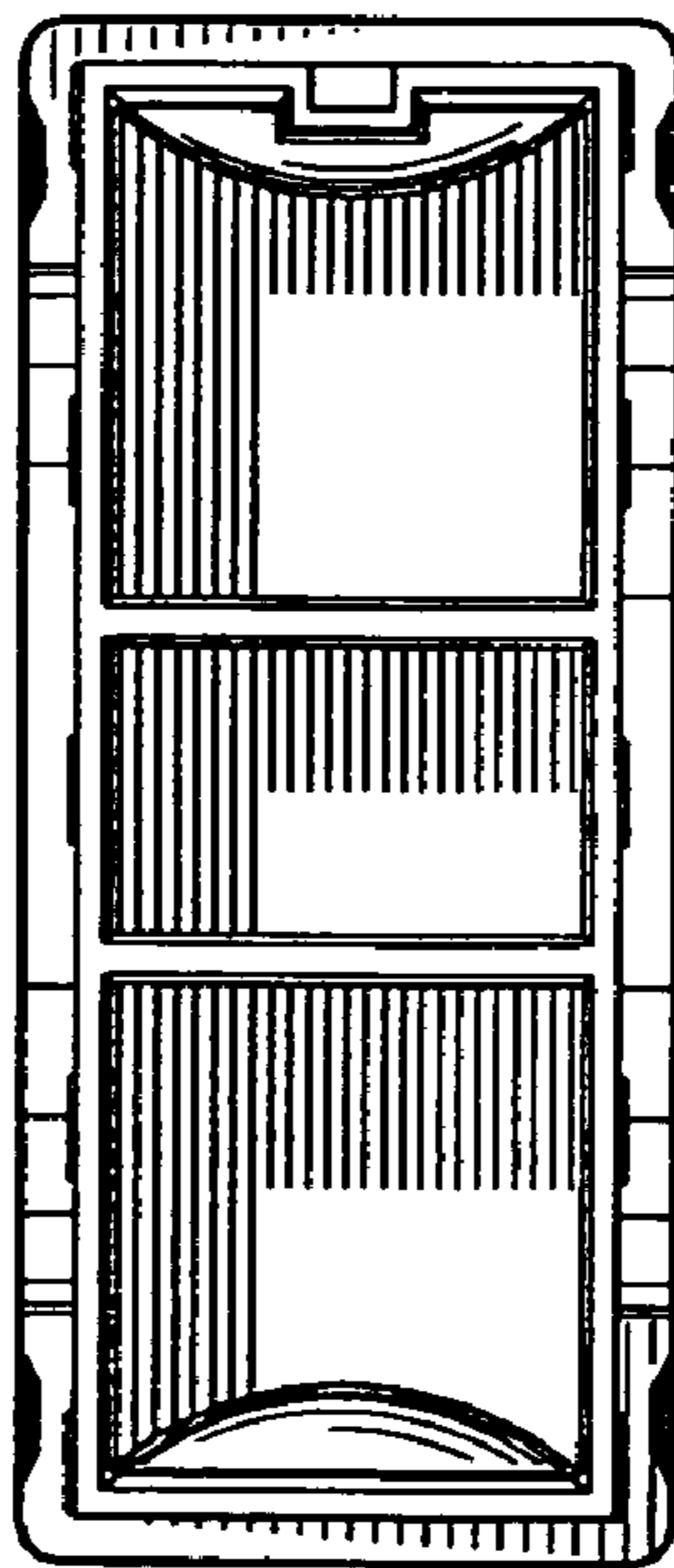


FIG. 7

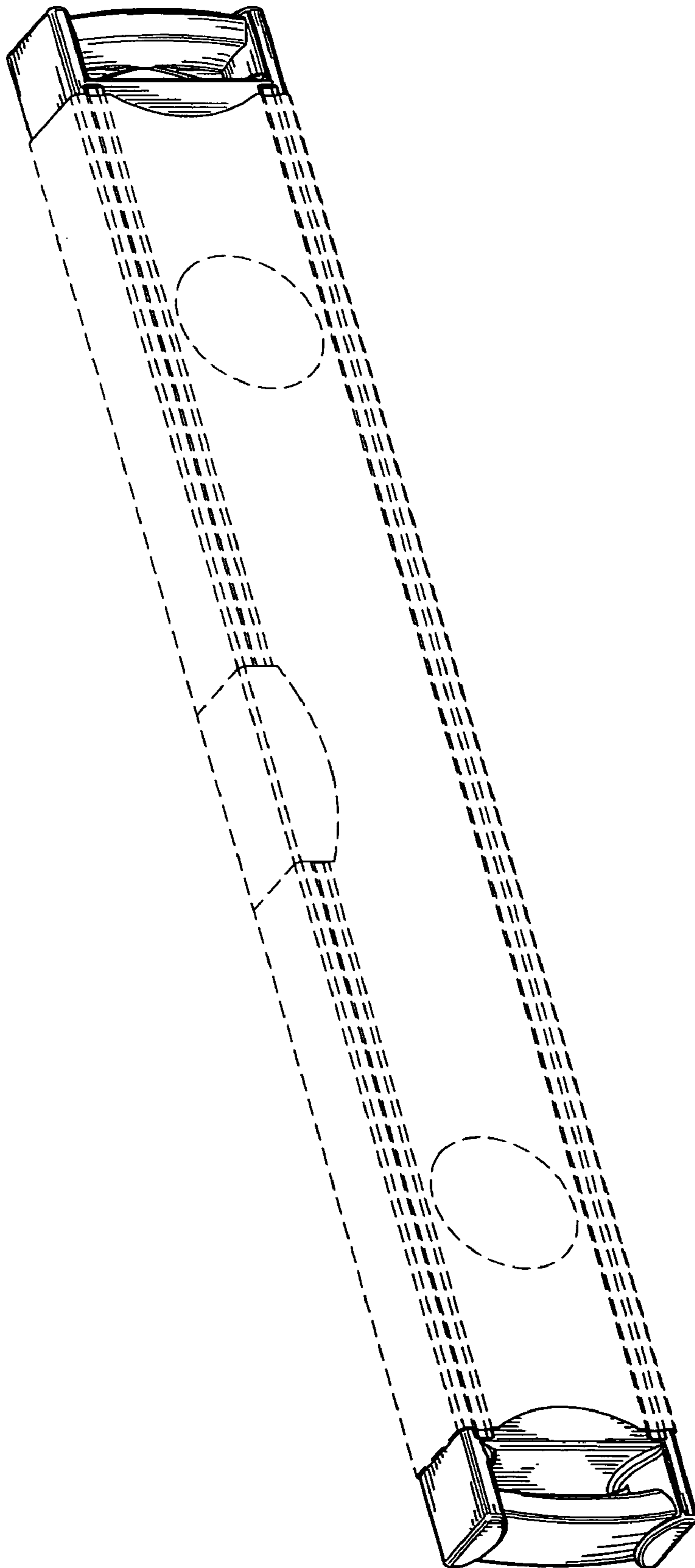


FIG. 8