



US00D564922S

(12) **United States Design Patent**
Ishii

(10) **Patent No.:** **US D564,922 S**
(45) **Date of Patent:** **** Mar. 25, 2008**

(54) **LASER IRRADIATOR**

Primary Examiner—Antoine D. Davis
(74) *Attorney, Agent, or Firm*—Jacobson Holman PLLC

(75) Inventor: **Mitsuo Ishii**, Tokyo (JP)

(57) **CLAIM**

(73) Assignee: **Kabushiki Kaisha Topcon**, Tokyo (JP)

The ornamental design for laser irradiator, as shown and described.

(**) Term: **14 Years**

DESCRIPTION

(21) Appl. No.: **29/263,634**

FIG. 1 is a perspective view of the subject laser irradiator; FIG. 2 is a front view of the subject laser irradiator as shown in FIG. 1;

(22) Filed: **Jul. 27, 2006**

FIG. 3 is a rear view of the subject laser irradiator as shown in FIG. 1;

(30) **Foreign Application Priority Data**

Jun. 29, 2006 (JP) 2006-017041

FIG. 4 is a left side view of the subject laser irradiator as shown in FIG. 1;

(51) **LOC (8) Cl.** **10-04**

FIG. 5 is a right view of the subject laser irradiator as shown in FIG. 1;

(52) **U.S. Cl.** **D10/66**

FIG. 6 is a plan view of the subject laser irradiator as shown in FIG. 1;

(58) **Field of Classification Search** D10/66;
D16/130; 33/281, 285, 286, 290–299; 356/138–155
See application file for complete search history.

FIG. 7 is a bottom view of the subject laser irradiator as shown in FIG. 1;

(56) **References Cited**

U.S. PATENT DOCUMENTS

D383,075 S * 9/1997 Sawaguchi et al. D10/66
D411,809 S * 7/1999 Wakabayashi D10/66
6,195,901 B1 * 3/2001 Falb 33/286
D469,738 S * 2/2003 Ishii D10/66
7,152,334 B2 * 12/2006 Gamal et al. 33/290

FIG. 8 is a reference perspective view of the subject laser irradiator as shown in FIG. 1 for showing mounting construction thereof; and,

FIG. 9 is a reference perspective view of the subject laser irradiator as shown in FIG. 1 for showing mounting construction thereof.

The broken line showing of the lower transit housing is included for the purpose of illustrating non-claimed subject matter and forms no part of the claimed design.

* cited by examiner

1 Claim, 9 Drawing Sheets

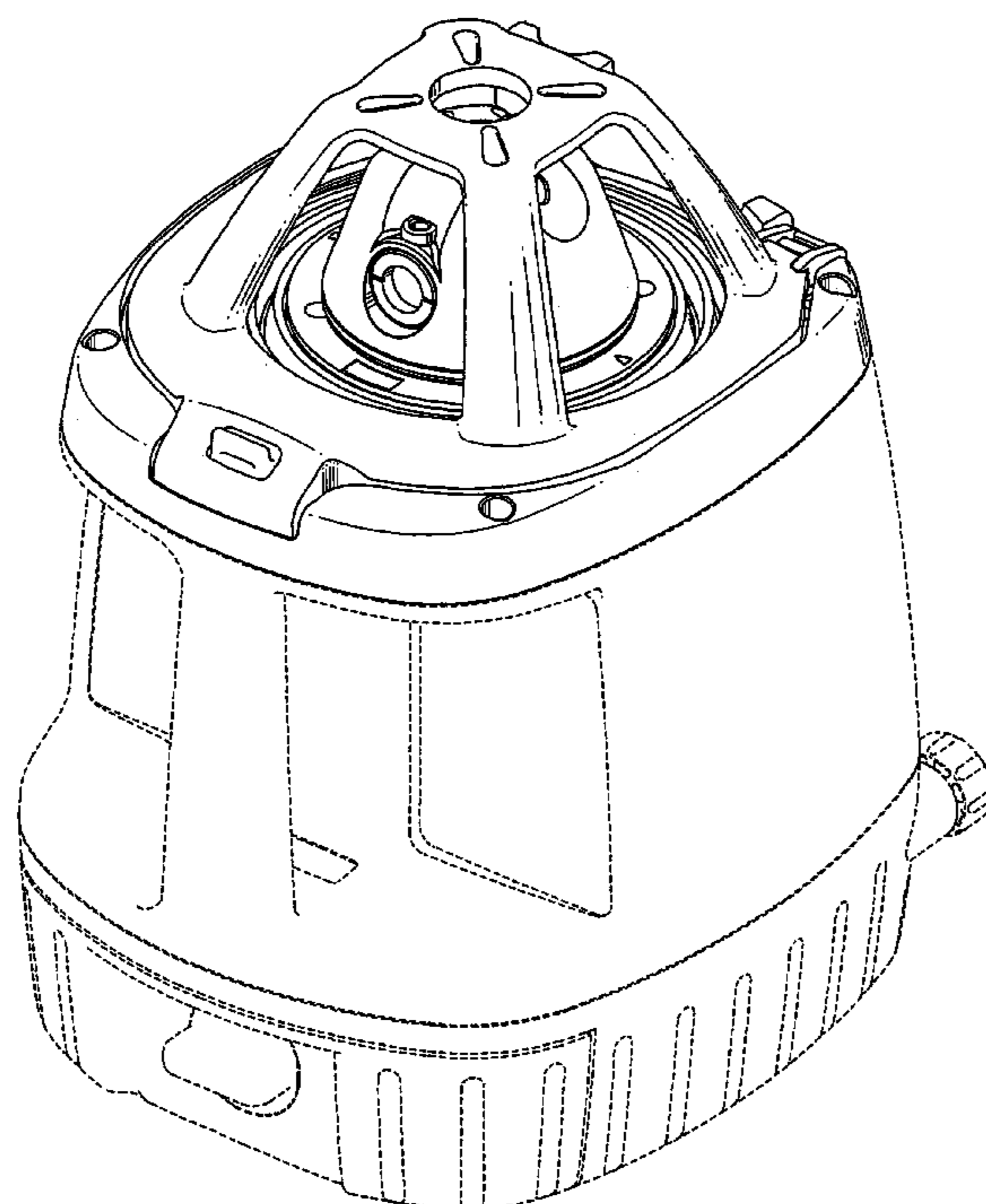


FIG.1

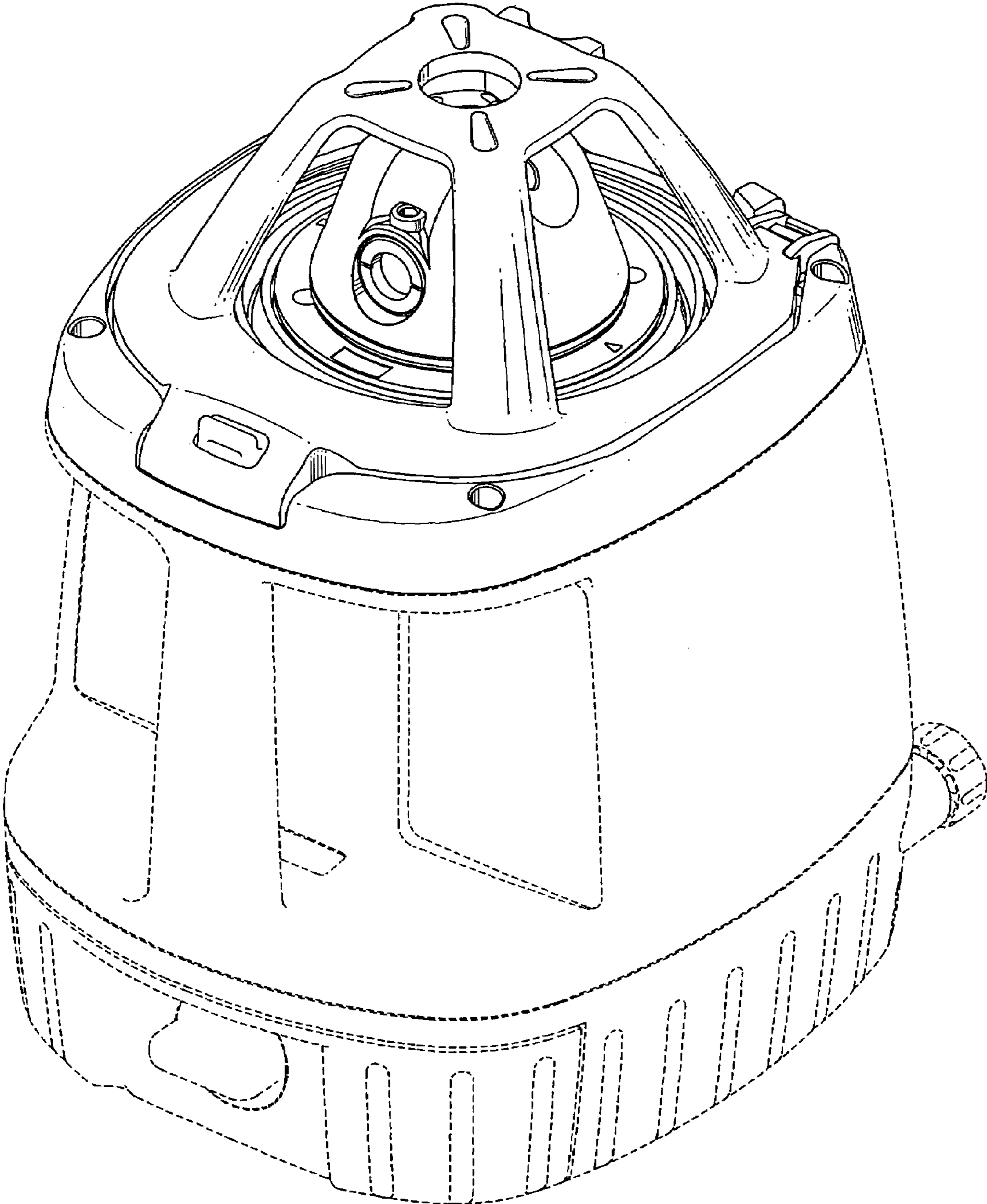


FIG.2

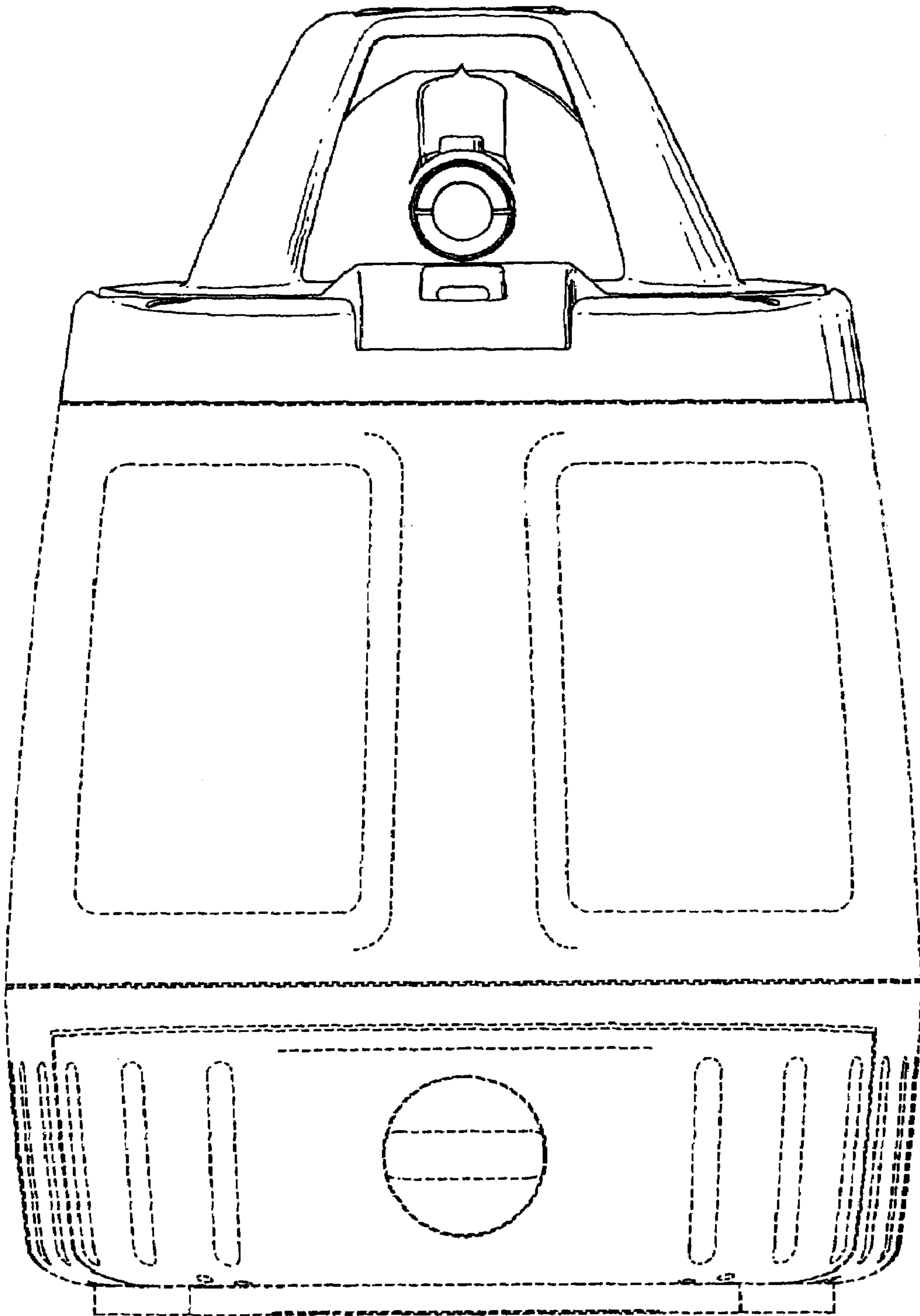


FIG.3

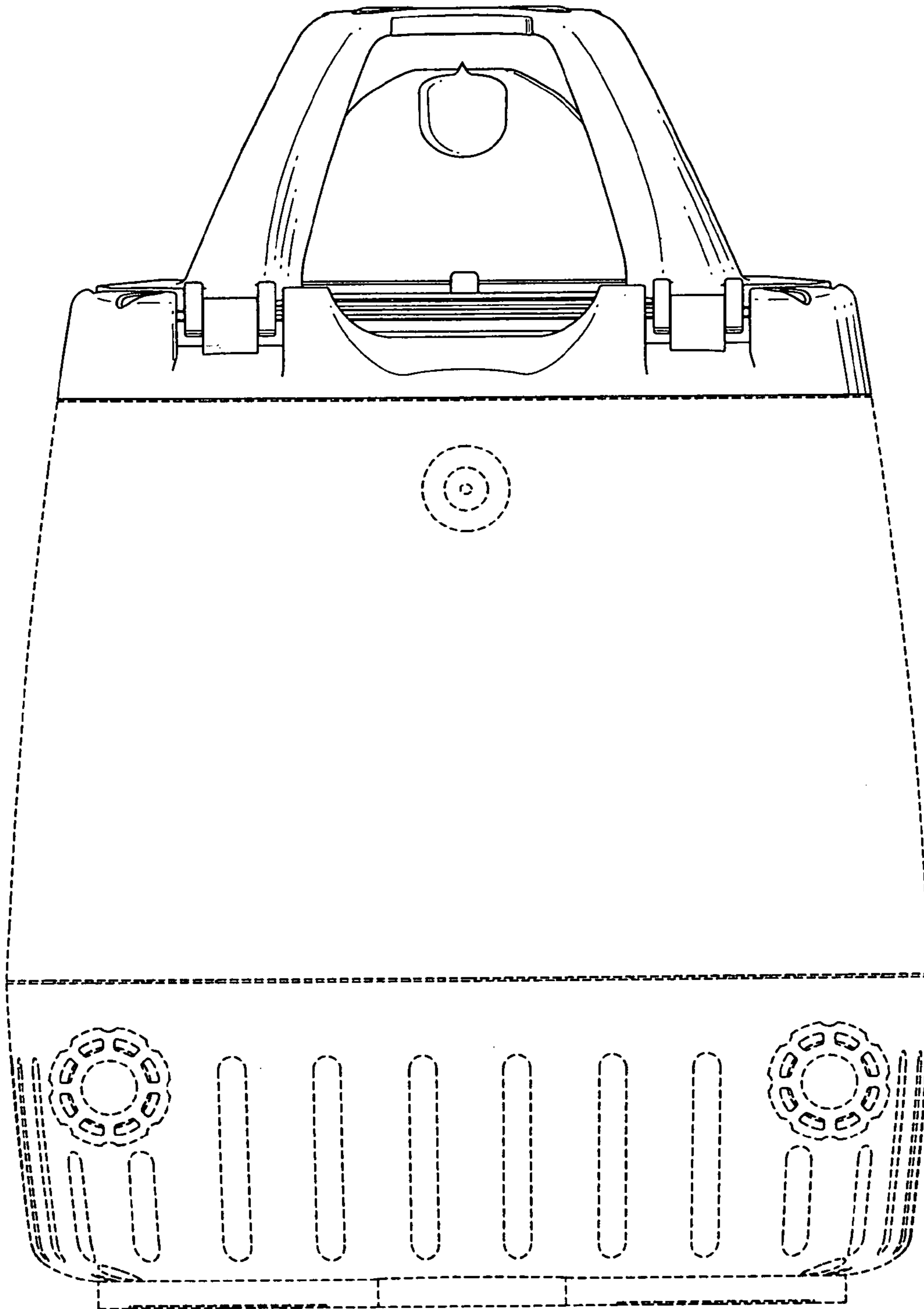


FIG.4

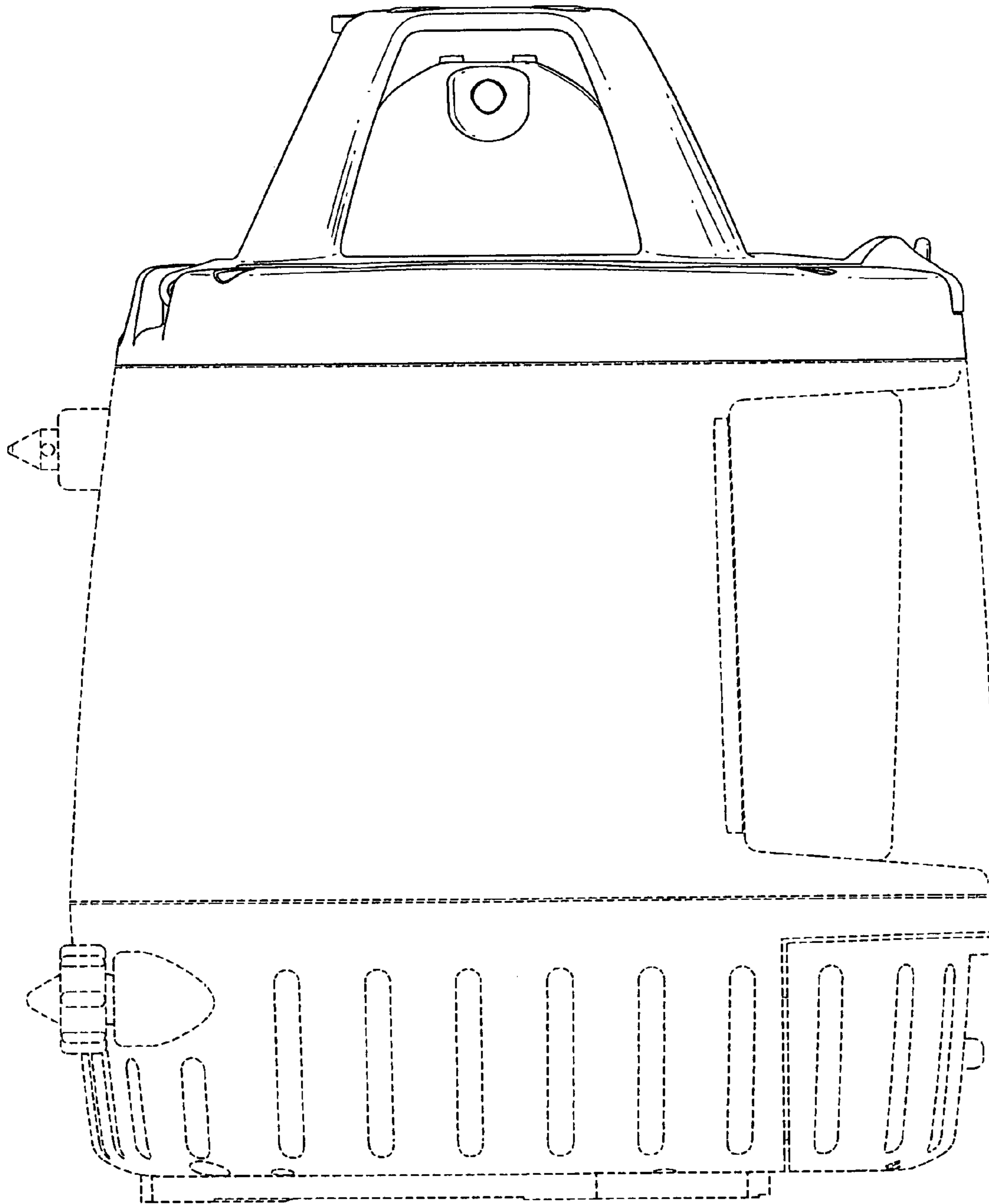


FIG.5

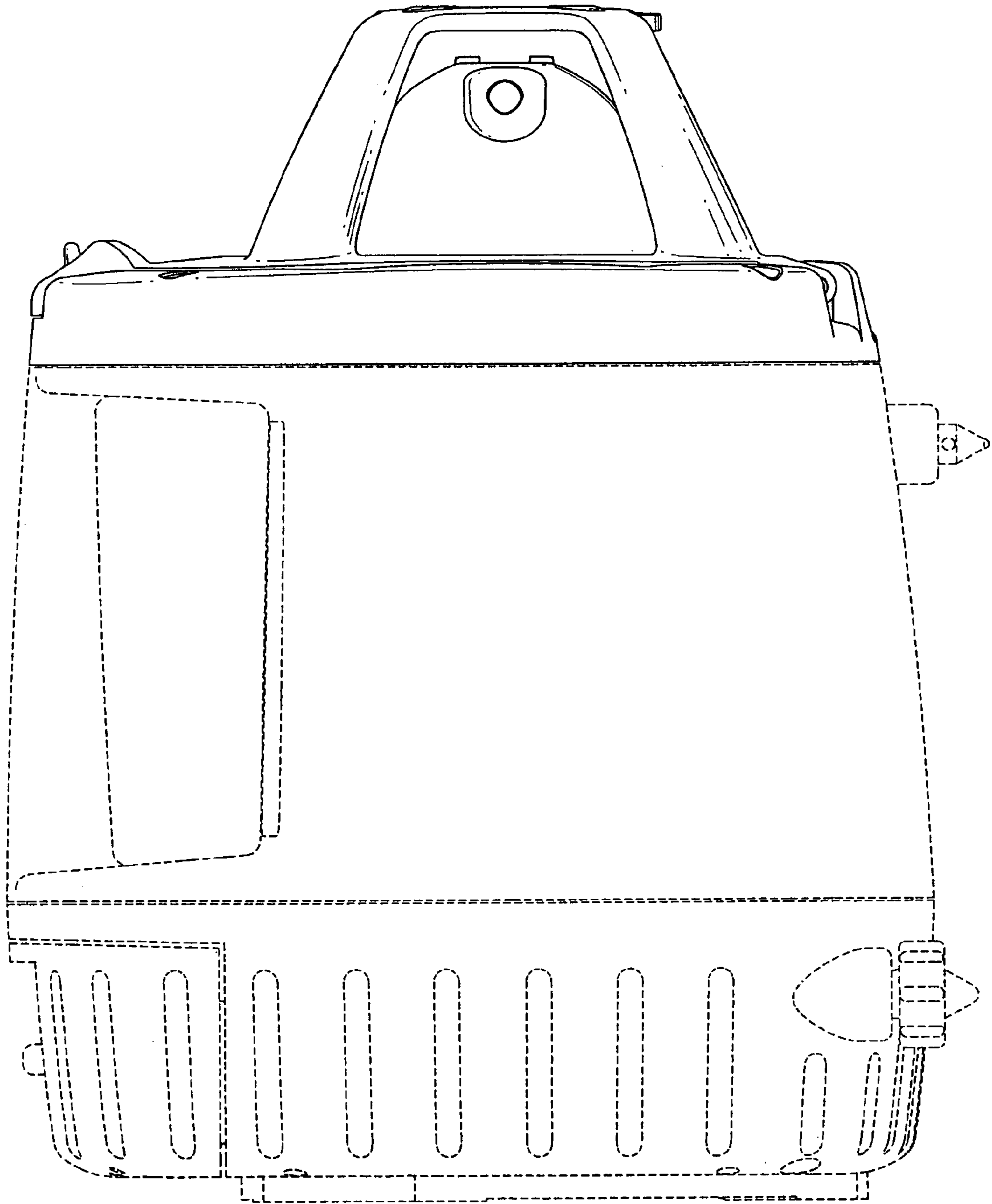


FIG.6

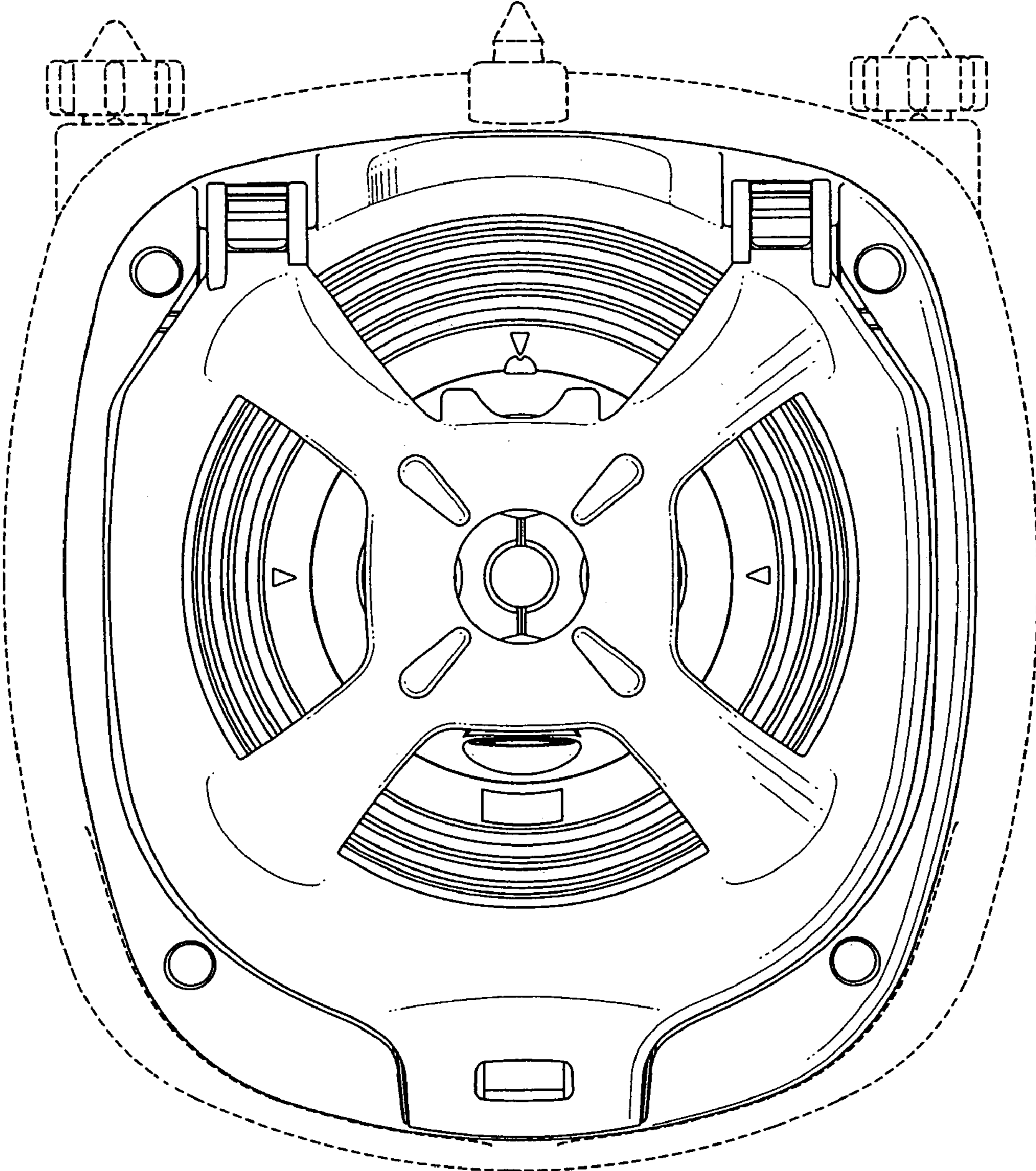


FIG. 7

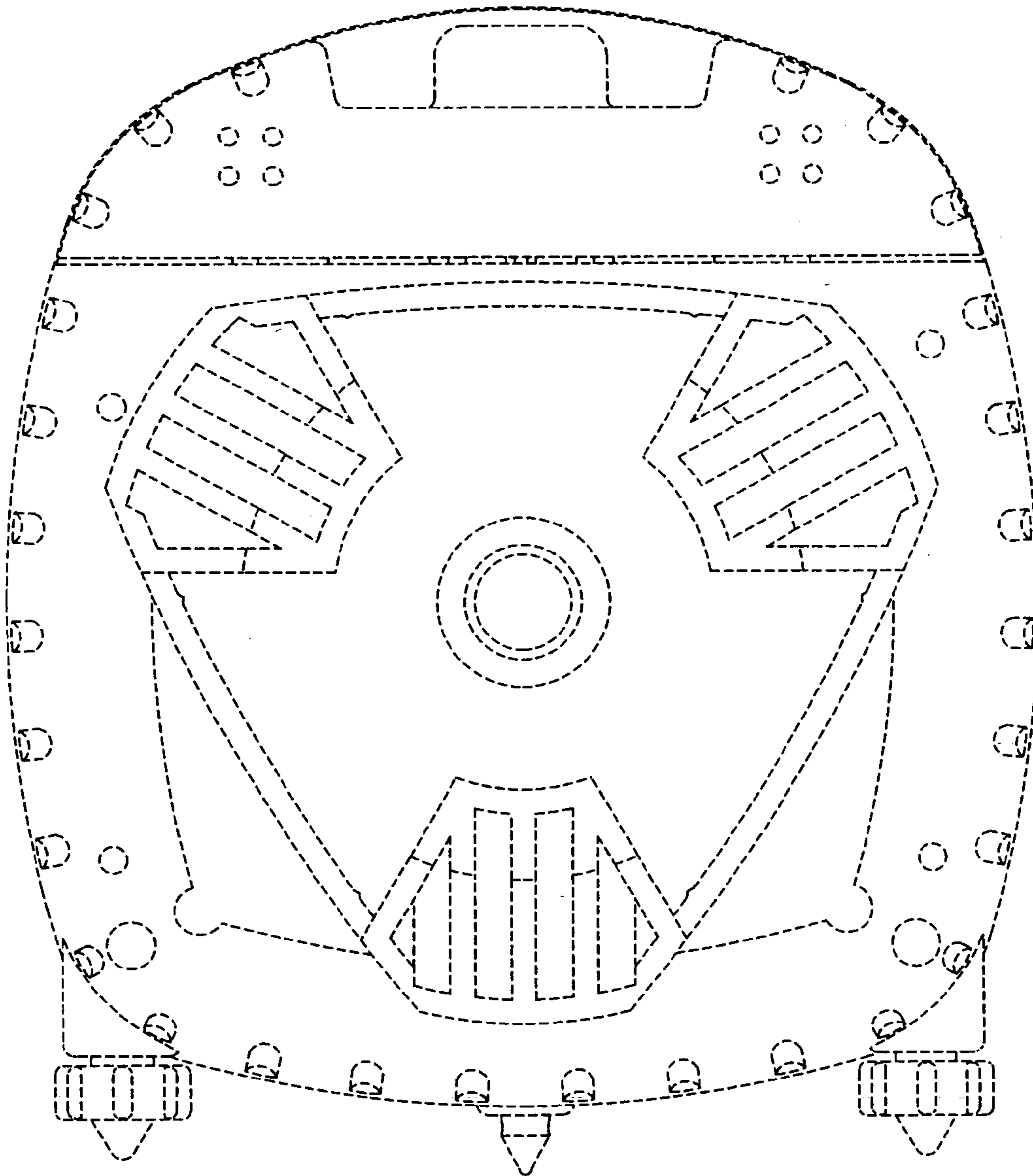


FIG.8

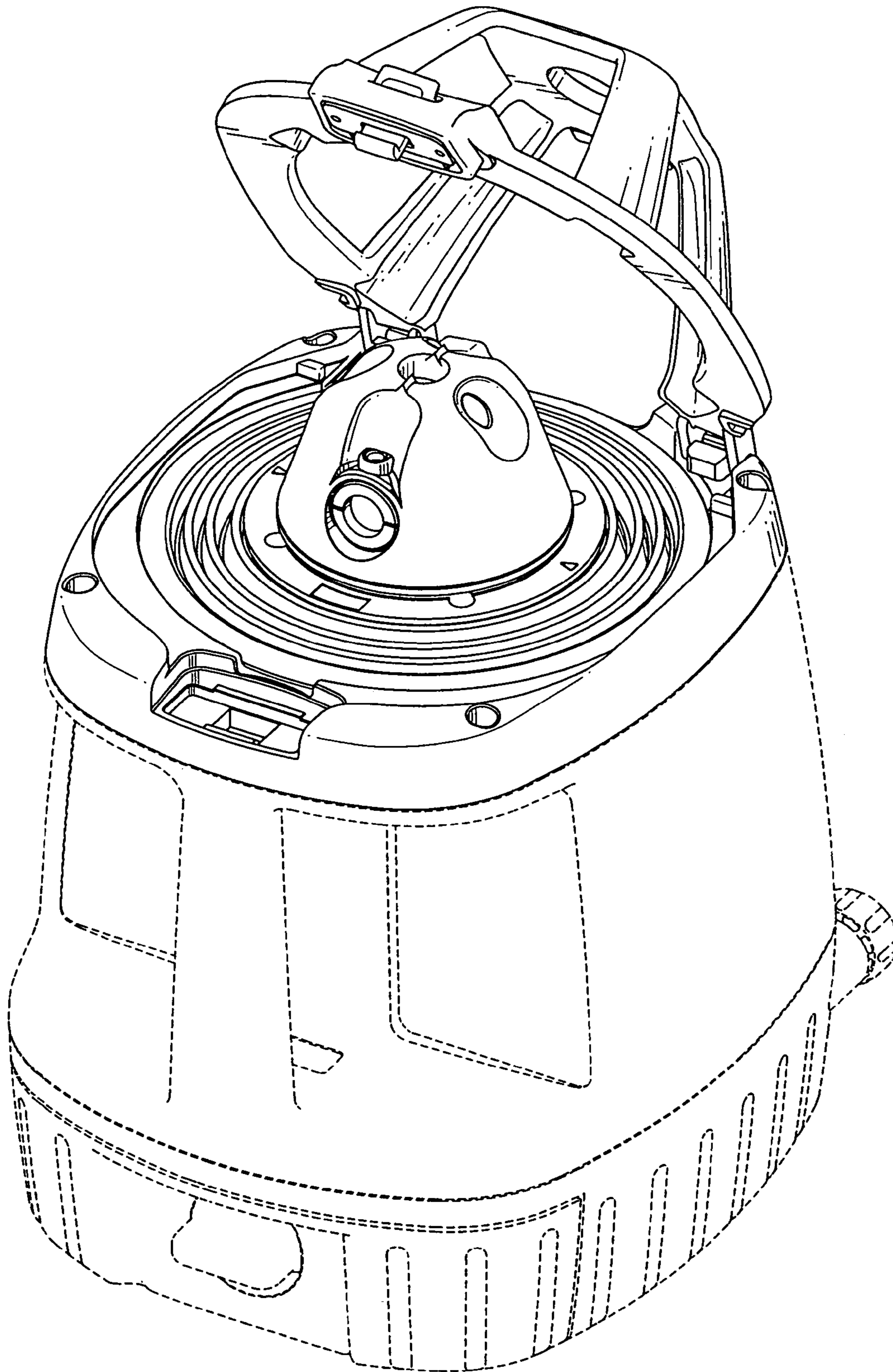


FIG. 9

