



US00D564919S

(12) **United States Design Patent**
Yu et al.

(10) **Patent No.:** **US D564,919 S**
(45) **Date of Patent:** **** Mar. 25, 2008**

(54) **ELECTRONIC CLINICAL THERMOMETER**
(75) Inventors: **Chu-Yih Yu**, San Chung (TW); **Li Ping Chen**, San Chung (TW)
(73) Assignee: **Mesure Technology Co., Ltd.**, San Chung, Taipei Hsien (TW)

Primary Examiner—Antoine D. Davis
(74) *Attorney, Agent, or Firm*—Thomas, Kayden, Horstemeyer & Risley

(**) Term: **14 Years**
(21) Appl. No.: **29/280,709**
(22) Filed: **Jun. 5, 2007**

(57) **CLAIM**

The ornamental design for an electronic clinical thermometer, as shown and described.

(51) **LOC (8) Cl.** **10-04**
(52) **U.S. Cl.** **D10/57**
(58) **Field of Classification Search** D10/57;
374/1-210
See application file for complete search history.

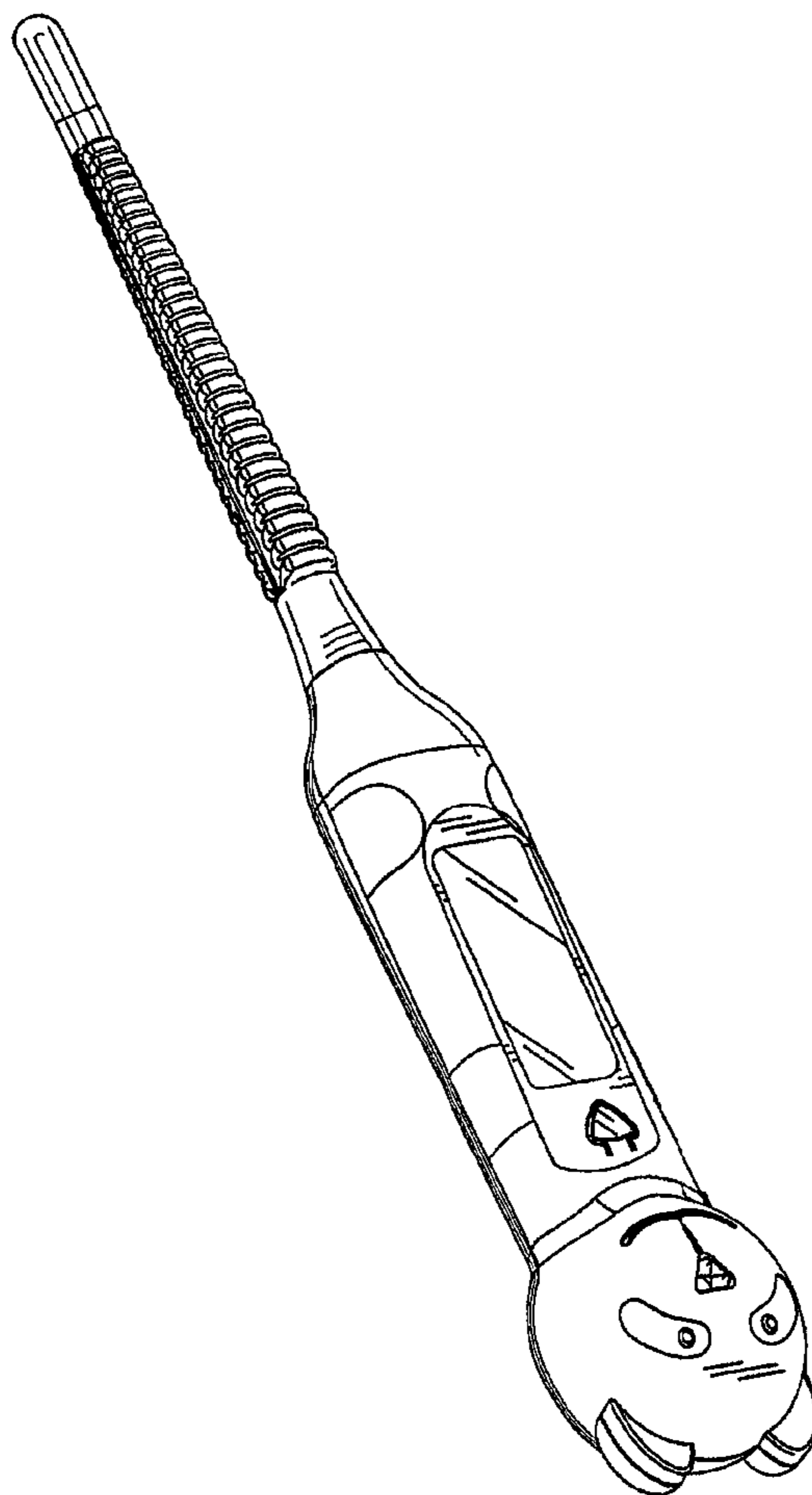
DESCRIPTION

FIG. 1 is a perspective view of an electronic clinical thermometer showing my new design;
FIG. 2 is a front elevational view thereof;
FIG. 3 is a rear elevational view thereof;
FIG. 4 is a left side elevational view thereof;
FIG. 5 is a right side elevational view thereof;
FIG. 6 is a top plane view thereof; and,
FIG. 7 is a bottom plane view thereof.

(56) **References Cited**
U.S. PATENT DOCUMENTS
D449,239 S * 10/2001 Kern D10/57
D522,388 S * 6/2006 Vu D10/57

* cited by examiner

1 Claim, 6 Drawing Sheets



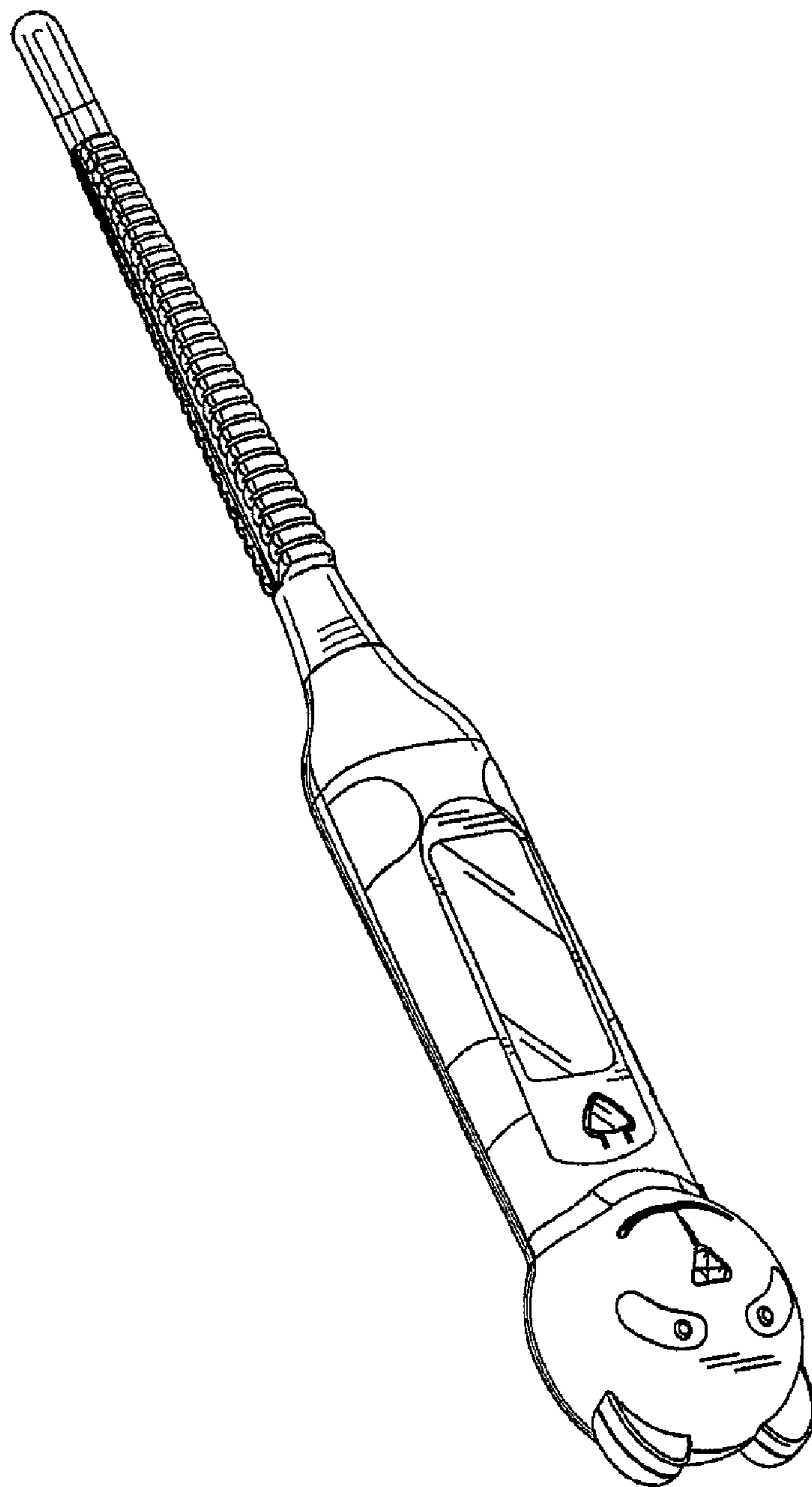


FIG. 1

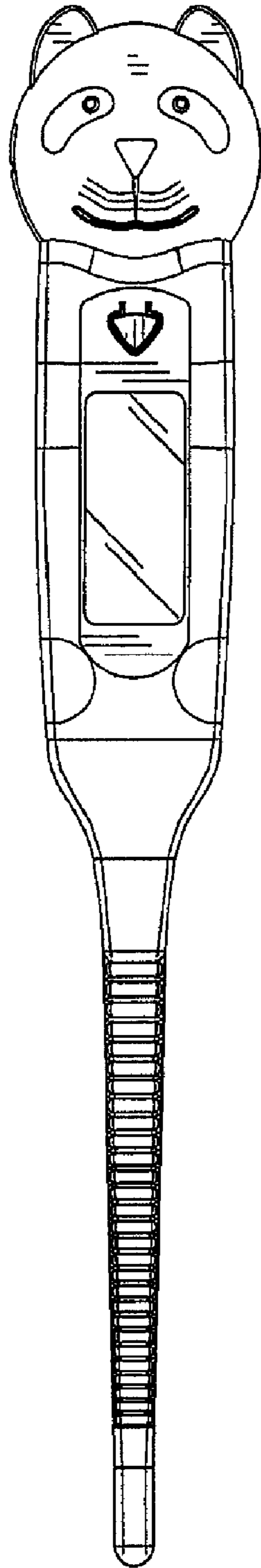


FIG. 2

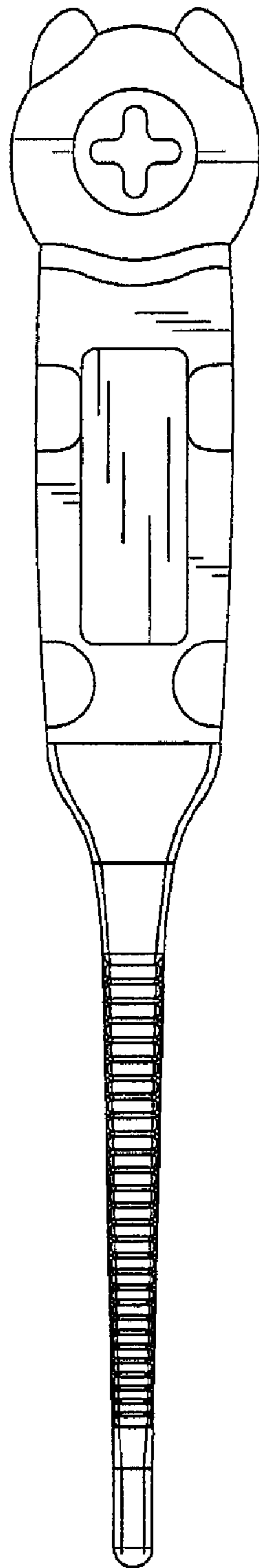


FIG. 3

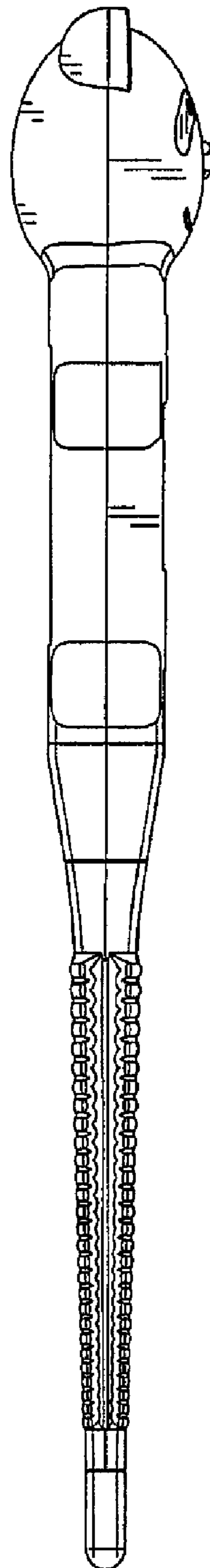


FIG. 4

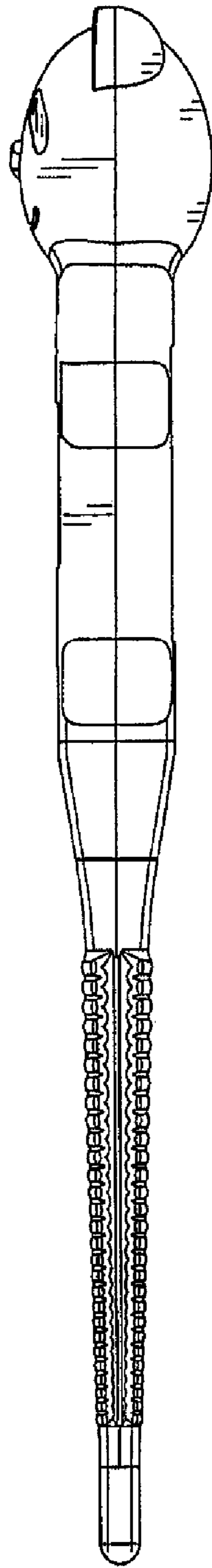


FIG. 5

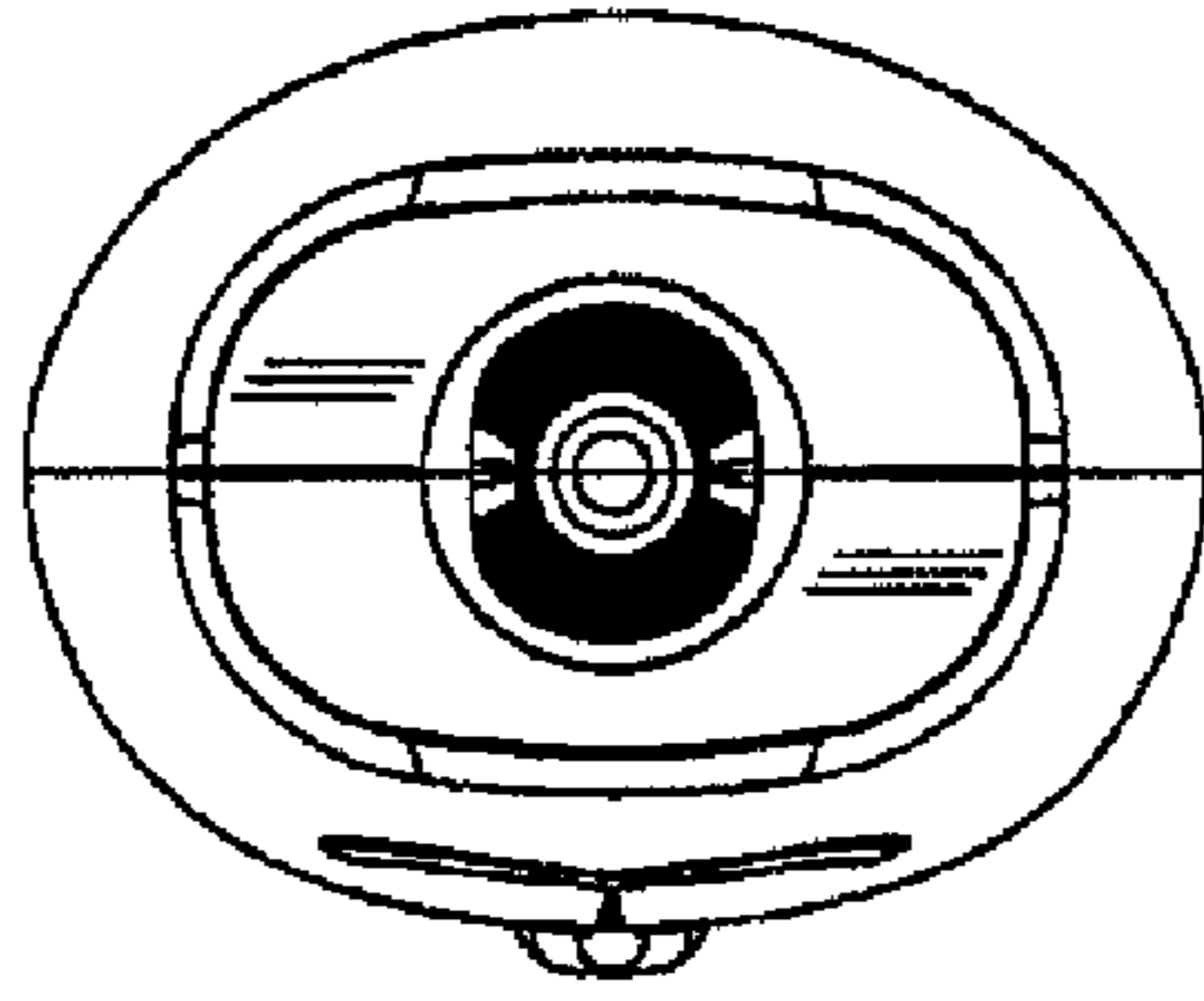


FIG. 6

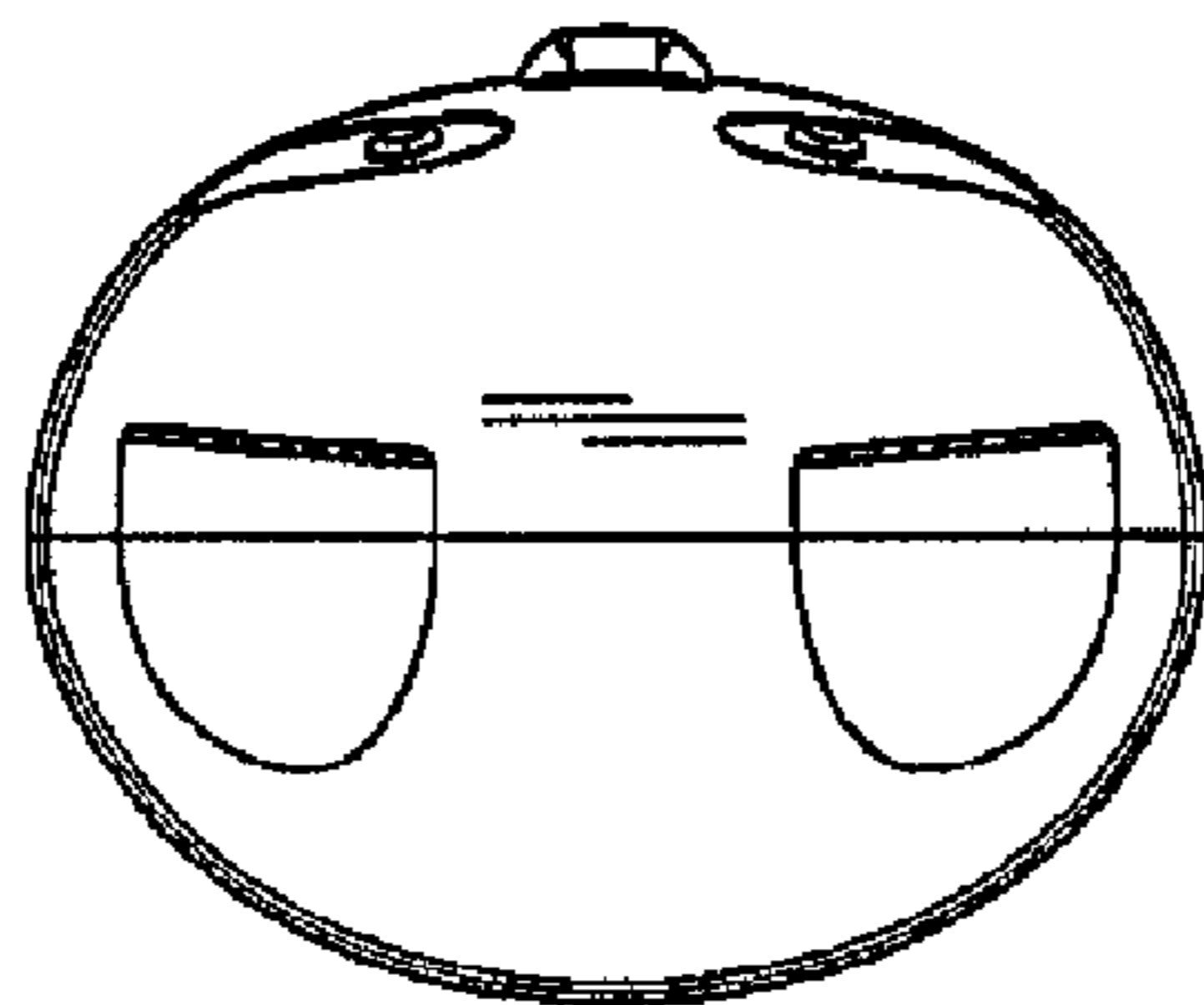


FIG. 7

UNITED STATES PATENT AND TRADEMARK OFFICE
CERTIFICATE OF CORRECTION

PATENT NO. : Des. 564,919 S
APPLICATION NO. : 29/280709
DATED : March 25, 2008
INVENTOR(S) : Yu et al.

Page 1 of 1

It is certified that error appears in the above-identified patent and that said Letters Patent is hereby corrected as shown below:

Title Page item [75]: John Jiannyuh Chen should be added as an inventor

Signed and Sealed this

Sixth Day of July, 2010

A handwritten signature in black ink that reads "David J. Kappos". The signature is written in a cursive, flowing style.

David J. Kappos
Director of the United States Patent and Trademark Office