

US00D564914S

(12) **United States Design Patent**
Smith-Kielland et al.

(10) **Patent No.:** **US D564,914 S**
(45) **Date of Patent:** **** Mar. 25, 2008**

(54) **TIMER**

(75) Inventors: **Ingvald Alain Smith-Kielland**, Los Angeles, CA (US); **Craig Steele**, Santa Monica, CA (US); **Kurt Gregory Botsai**, Thousand Oaks, CA (US); **Lance Gordon Hussey**, Simi Valley, CA (US); **Ravi Sawhney**, Calabasas, CA (US)

(73) Assignee: **DKB Household USA Corp.**, Irvine, CA (US)

(**) Term: **14 Years**

(21) Appl. No.: **29/271,736**

(22) Filed: **Jan. 24, 2007**

(51) **LOC (8) Cl.** **10-03**

(52) **U.S. Cl.** **D10/40**

(58) **Field of Classification Search** D10/40,
D10/15, 23; 368/239–242, 82–84, 285, 276,
368/316, 317, 107–123

See application file for complete search history.

(56) **References Cited**

U.S. PATENT DOCUMENTS

D25,022 S *	12/1895	Luxmore	D10/23
1,136,520 A *	4/1915	Fukami	368/316
D97,453 S *	11/1935	Bars	D10/1
D166,247 S *	3/1952	Dreyfuss	D10/23
D167,318 S *	7/1952	Rodanet	D10/55
D172,914 S *	8/1954	Weisz	D10/23
D233,026 S *	10/1974	Blessing	D10/23
D238,055 S *	12/1975	Shshimo	D10/38
D245,232 S *	8/1977	Quirin	D10/40
D245,582 S *	8/1977	Mox	D10/40
D262,608 S *	1/1982	Drobshoff et al.	D10/15
D276,219 S *	11/1984	Mox	D10/40
D276,416 S *	11/1984	Mox	D10/40
D276,703 S *	12/1984	Au	D10/15
D278,313 S *	4/1985	Progin	D10/23
D282,446 S *	2/1986	Gremonprez et al.	D10/40
D312,578 S *	12/1990	Kumakura	D10/22

D333,099 S *	2/1993	Hiromori	D10/2
D334,347 S *	3/1993	White	D10/37
5,761,157 A *	6/1998	Takeda et al.	368/10
D406,774 S *	3/1999	Sinisi	D10/40
D413,069 S *	8/1999	Kokkinis	D10/15
5,933,391 A *	8/1999	Uptegraph	368/69
D476,240 S *	6/2003	Kuramochi et al.	D10/40
D483,275 S *	12/2003	Chen	D10/15
D484,421 S *	12/2003	Chang et al.	D10/15
6,817,192 B2 *	11/2004	Ector et al.	62/125

OTHER PUBLICATIONS

http://www.amazon.com/s/ref=nb_ss_k/104-5648879-4475939?url=search-alias%3Dgarden&field-keywords=kitchenaid+timer&Go.x=11&Go.y=10, KitchenAid timers, last visited Jun. 28, 2007.
http://ec1.images.amazon.com/images/I/41N9ZPF1XAL._SS500_.jpg, KitchenAid timer, last visited Jun. 28, 2007.
http://ec1.images-amazon.com/images/I/41-HG9otAKL._SS500_.jpg, KitchenAid timer, last visited Jun. 28, 2007.
http://ec1.images-amazon.com/images/I/51FWK2M4G9L._SS500_.jpg, KitchenAid timer, last visited Jun. 28, 2007.

(Continued)

Primary Examiner—Lucy Lieberman

(74) *Attorney, Agent, or Firm*—Brinks Hofer Gilson & Lione

(57) **CLAIM**

The ornamental design for a timer, as shown and described.

DESCRIPTION

FIG. 1 is a perspective view of a timer of the present invention;

FIG. 2 is a front view thereof;

FIG. 3 is a rear view thereof;

FIG. 4 is a left side elevation thereof;

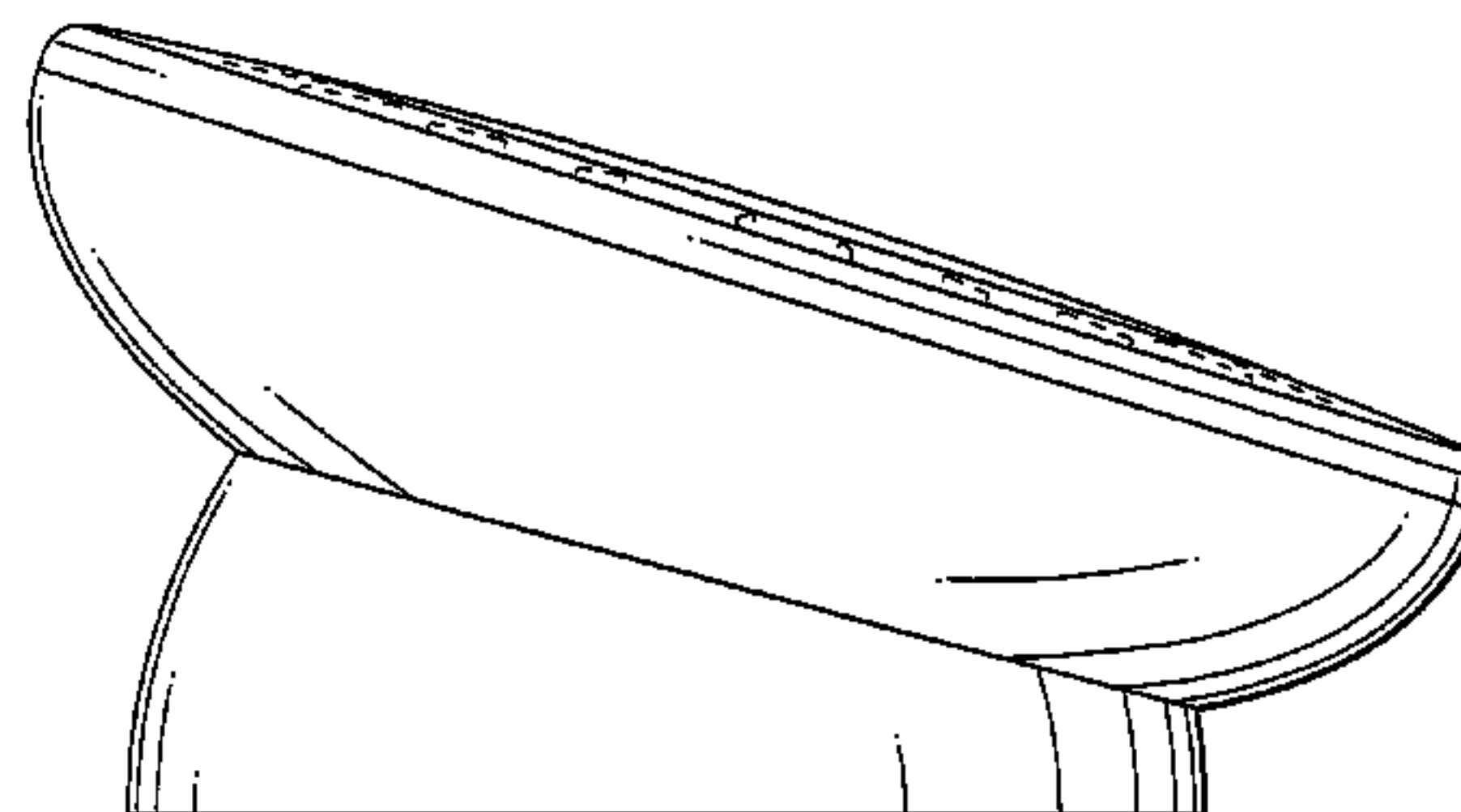
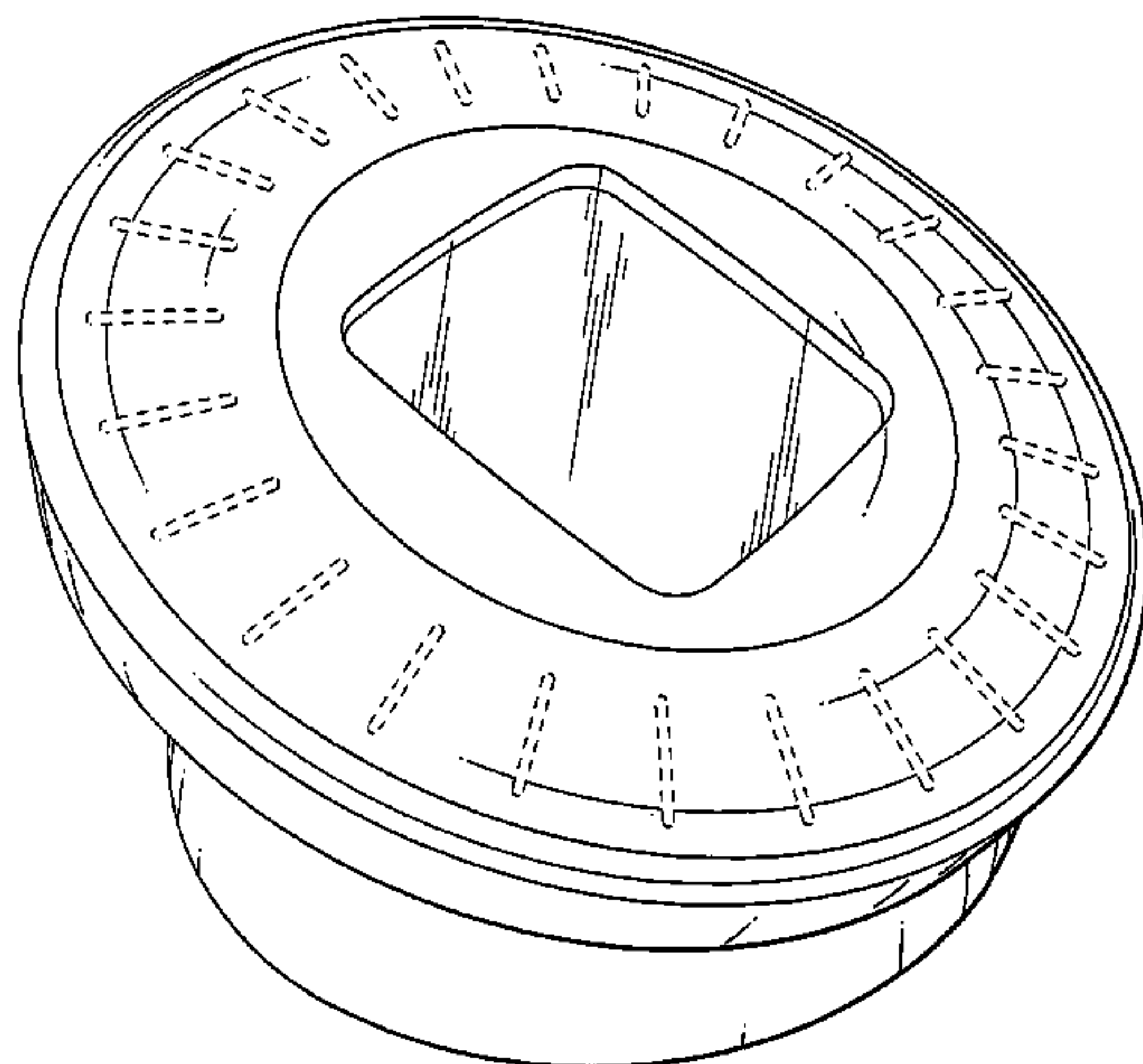
FIG. 5 is a right side elevation thereof;

FIG. 6 is a top view thereof; and,

FIG. 7 is a bottom view thereof.

The broken lines shown in the drawings are for illustrative purposes only and form no part of the claimed design.

1 Claim, 5 Drawing Sheets



OTHER PUBLICATIONS

<http://www.amazon.com/images/B0007YRPAM/sr=1-2/qid=1183040855/ref=1-3>, KitchenAid Digital Kitchen Timer Block KG150OB, last visited Jun. 28, 2007.

http://ec1.images-amazon.com/images/I/51KTVSEA5BL._SS500_.jpg, KitchenAid timer, last visited Jun. 28, 2007.

<http://www.salterhousewares.com/tpages/products/index.asp?code=32>, Timers, last visited Jun. 28, 2007.

<http://www.salterhousewares.com/tpages/products/npopup.asp?model=199>, 390 Oval Timer & Clock With See Through Panel, last visited Jun. 28, 2007.

<http://www.salterhousewares.com/tpages/products/npopup.asp?model=301>, 351 Flashing Light Timer, last visited Jun. 28, 2007.

<http://www.salterhousewares.com/tpages/products/npopup.asp?model=69>, 337 Extended Ring Timer, last visited Jun. 28, 2007.

<http://www.salterhousewares.com/tpages/products/npopup.asp?model=66>, 331 Stainless Steel Timer And Clock, last visited Jun. 28, 2007.

<http://www.salterhousewares.com/tpages/products/npopup.asp?model=268>, 331 Stainless Steel Timer And Clock, last visited Jun. 28, 2007.

<http://www.salterhousewares.com/tpages/products/npopup.asp?model=65>, 330 Multi-timer With Clock, last visited Jun. 28, 2007.

<http://www.salterhousewares.com/tpages/products/npopup.asp?model=64>, 329 Chromed Electronic Timer, last visited Jun. 28, 2007.

<http://www.salterhousewares.com/tpages/products/npopup.asp?model=62>, 328 Extra Large Digit Electronic Timer, last visited Jun. 28, 2007.

http://www.mastrad.fr/en/page_mastrad_contenu.php?id_article=162, 5-in-1 clock, last visited Jun. 28, 2007.

KitchenAid Timer http://www.amazon.com/s/ref=nb_ss_k/105-8770402-3876465?url=search-alias%3Dgarden&field-keywords=kitchenaid+timer&Go.x=6&Go.y=11, printed from Internet Jan. 23, 2007 & Jan. 24, 2007.

Mastrad Timer <http://www.mastrad.fr/en/index.php> (ranges/electronics/5-in-1 Clock), printed from Internet Jan. 23, 2007.

* cited by examiner

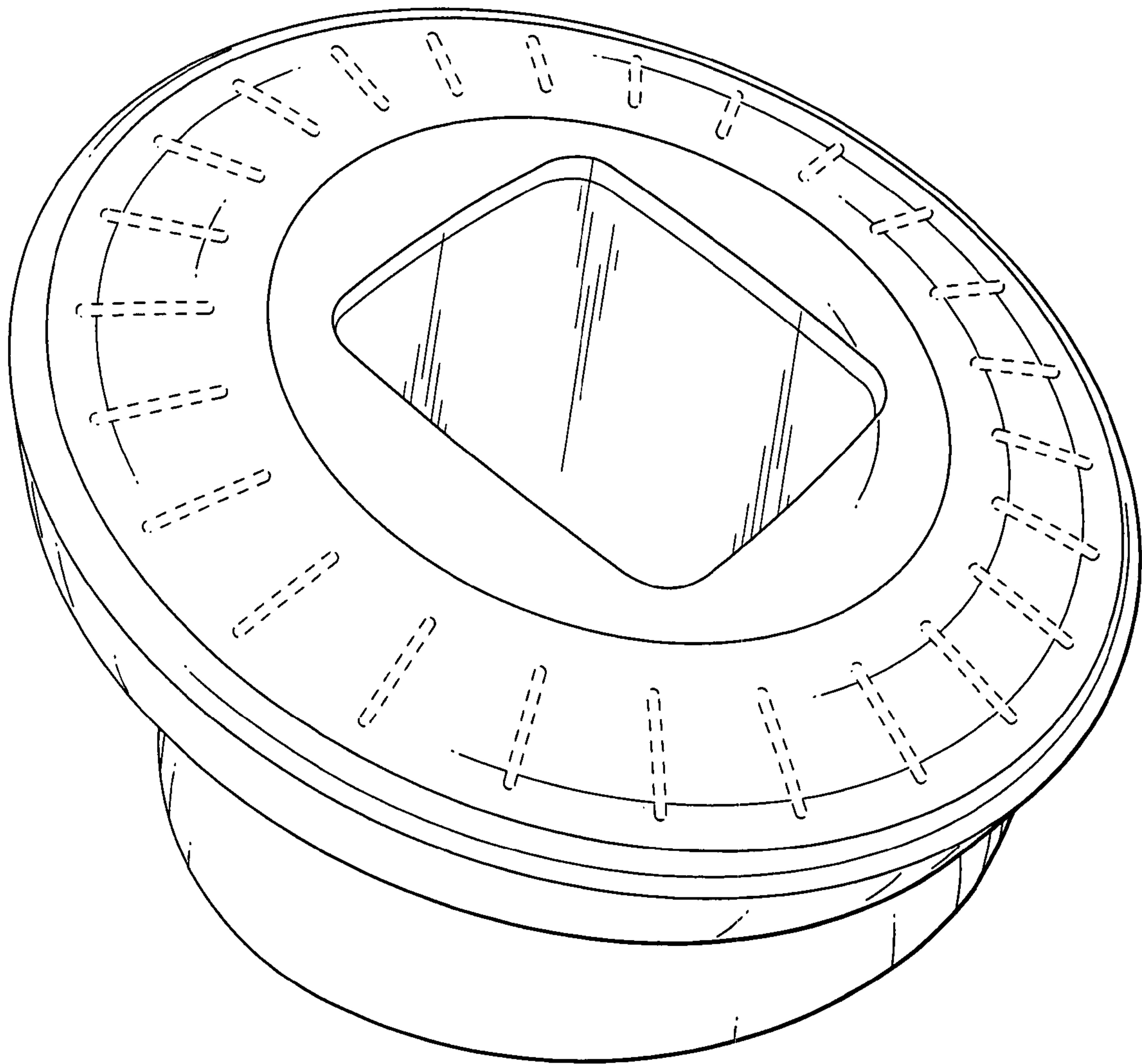


FIG. 1

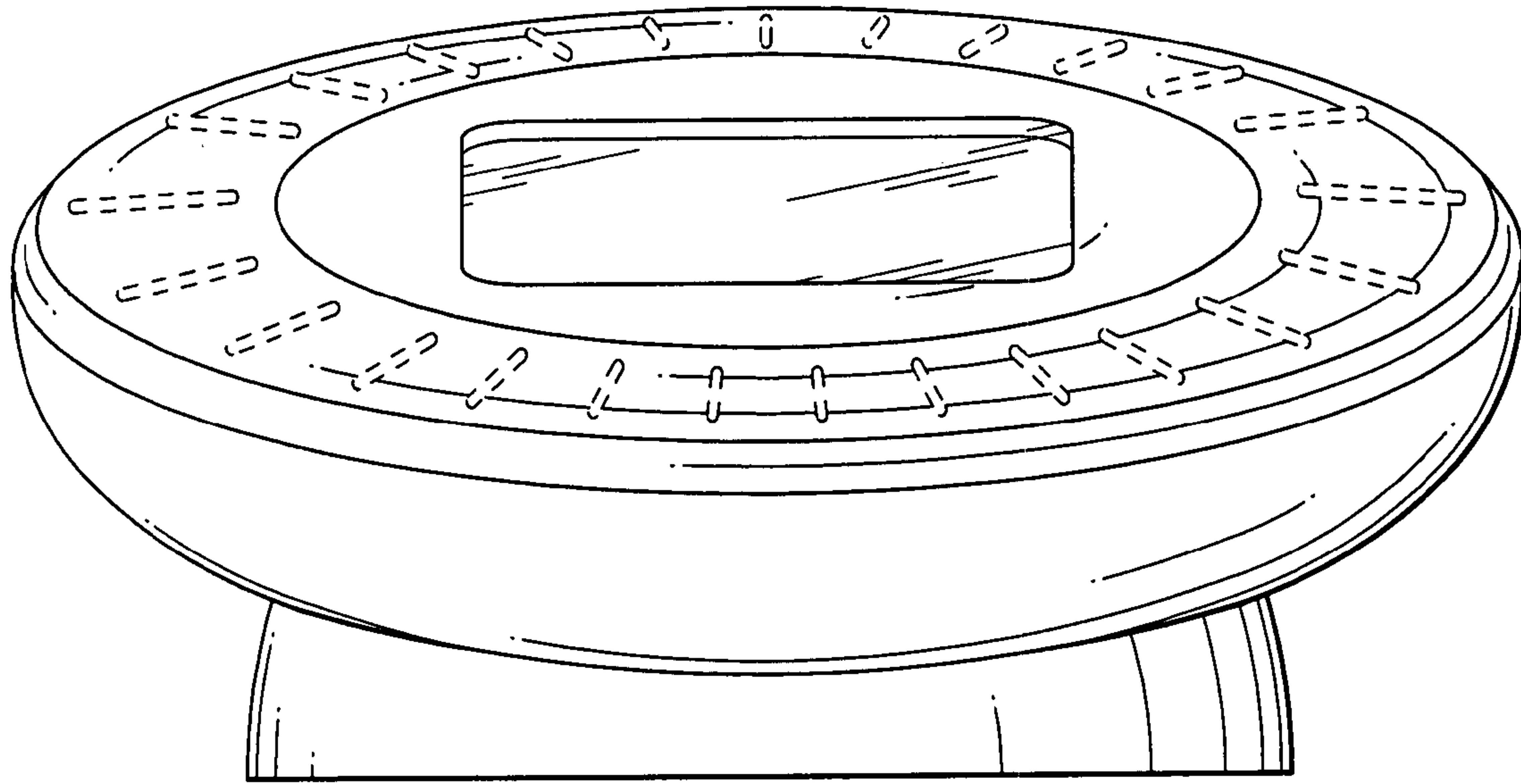


FIG. 2

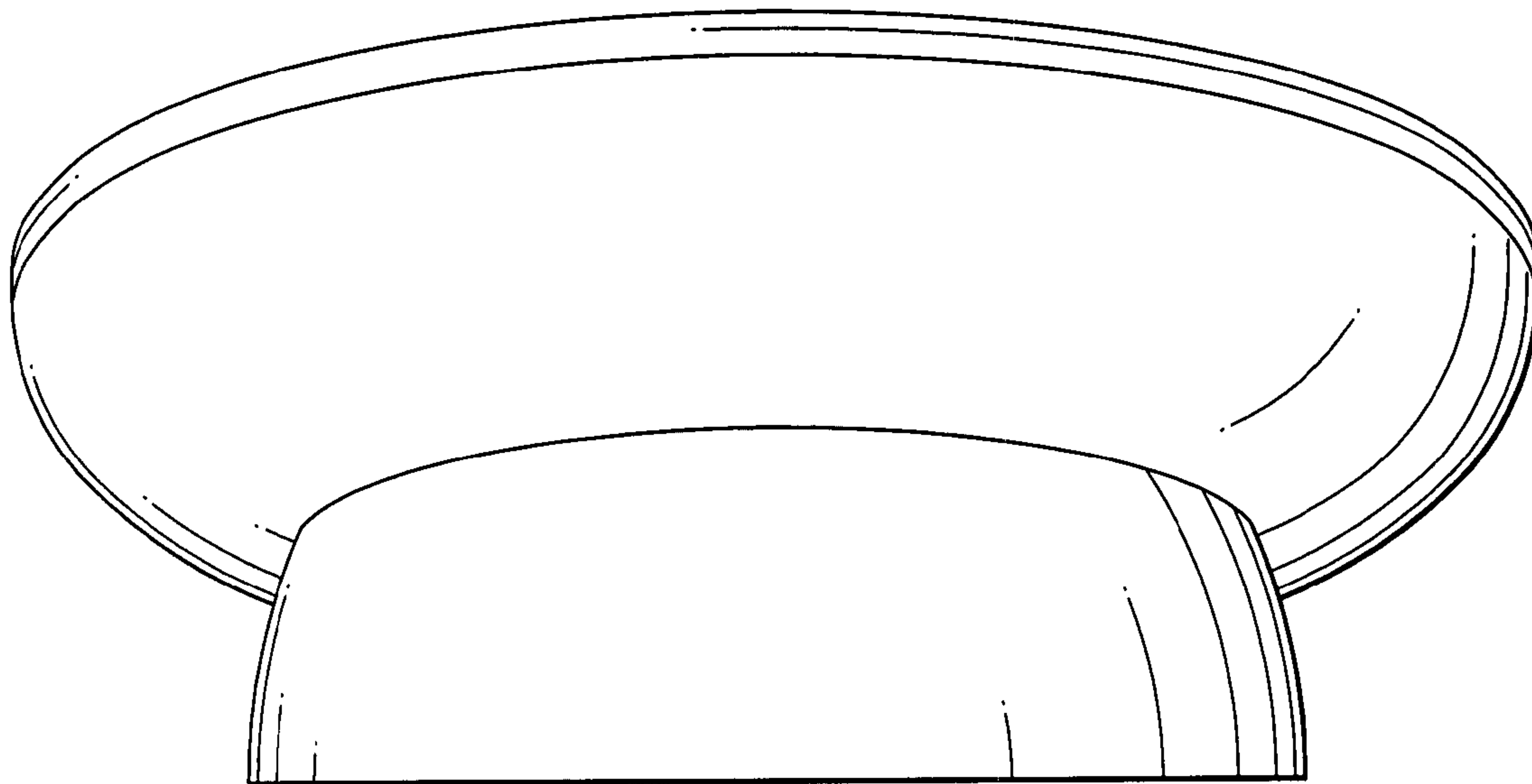


FIG. 3

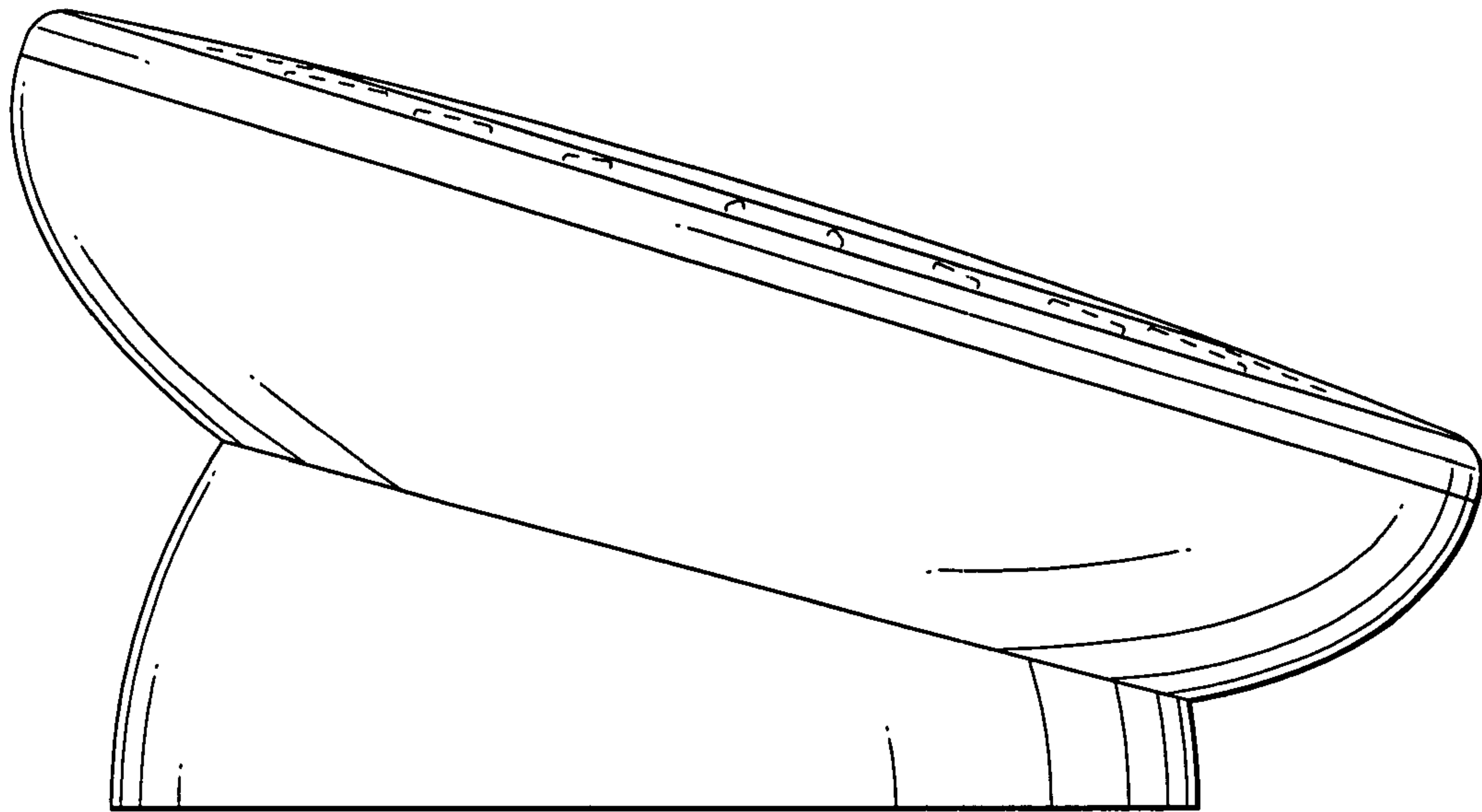


FIG. 4

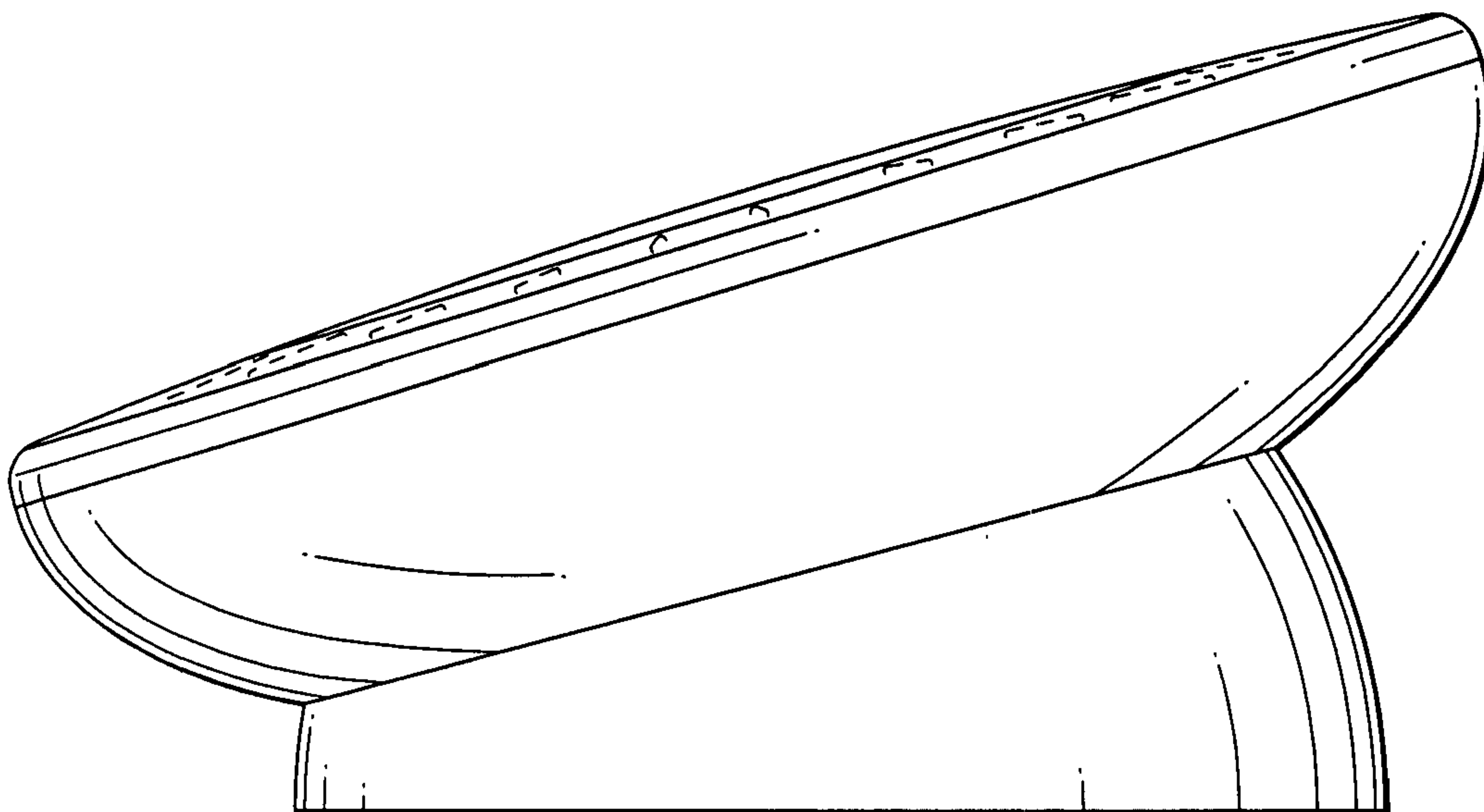


FIG. 5

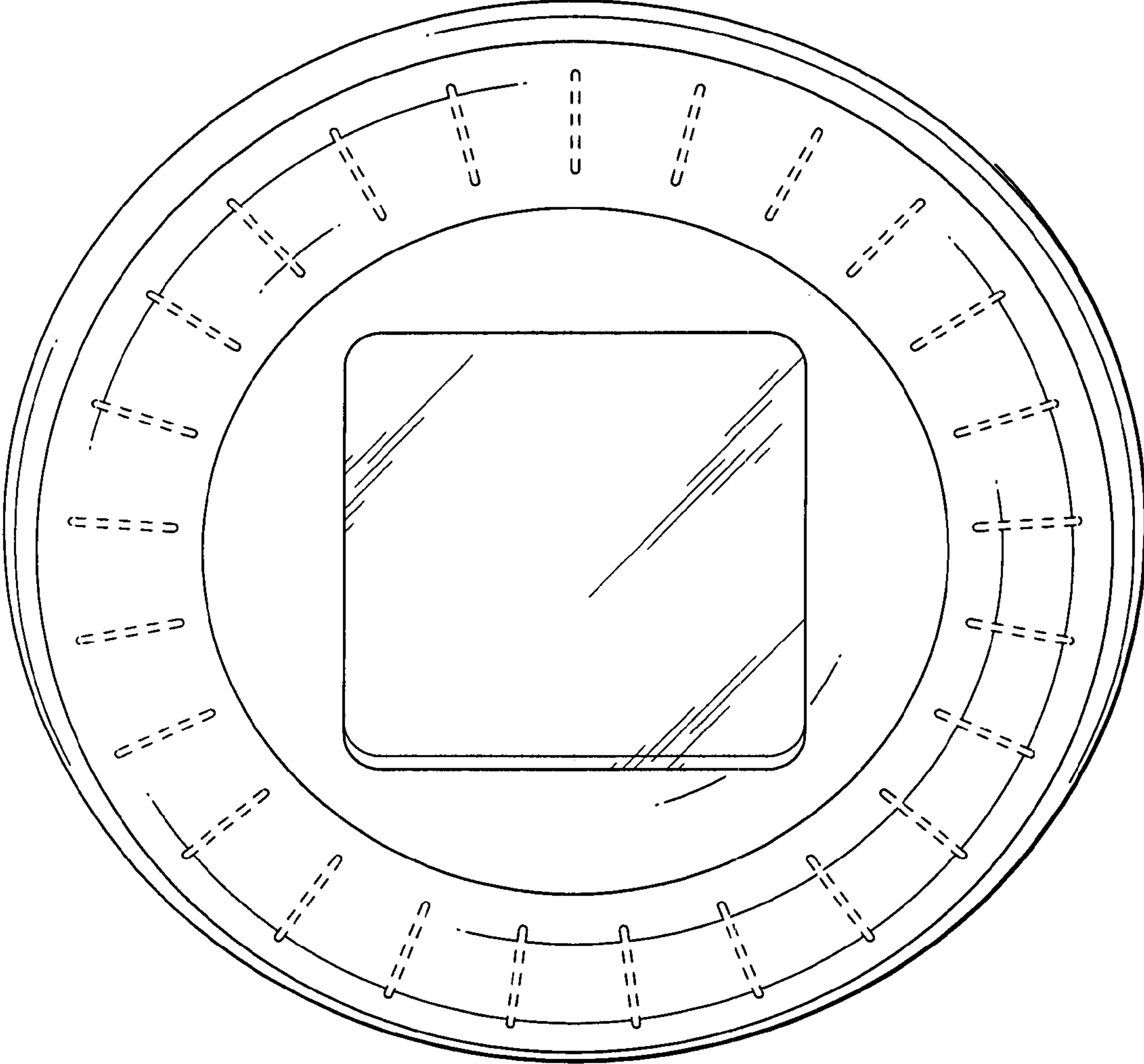


FIG. 6

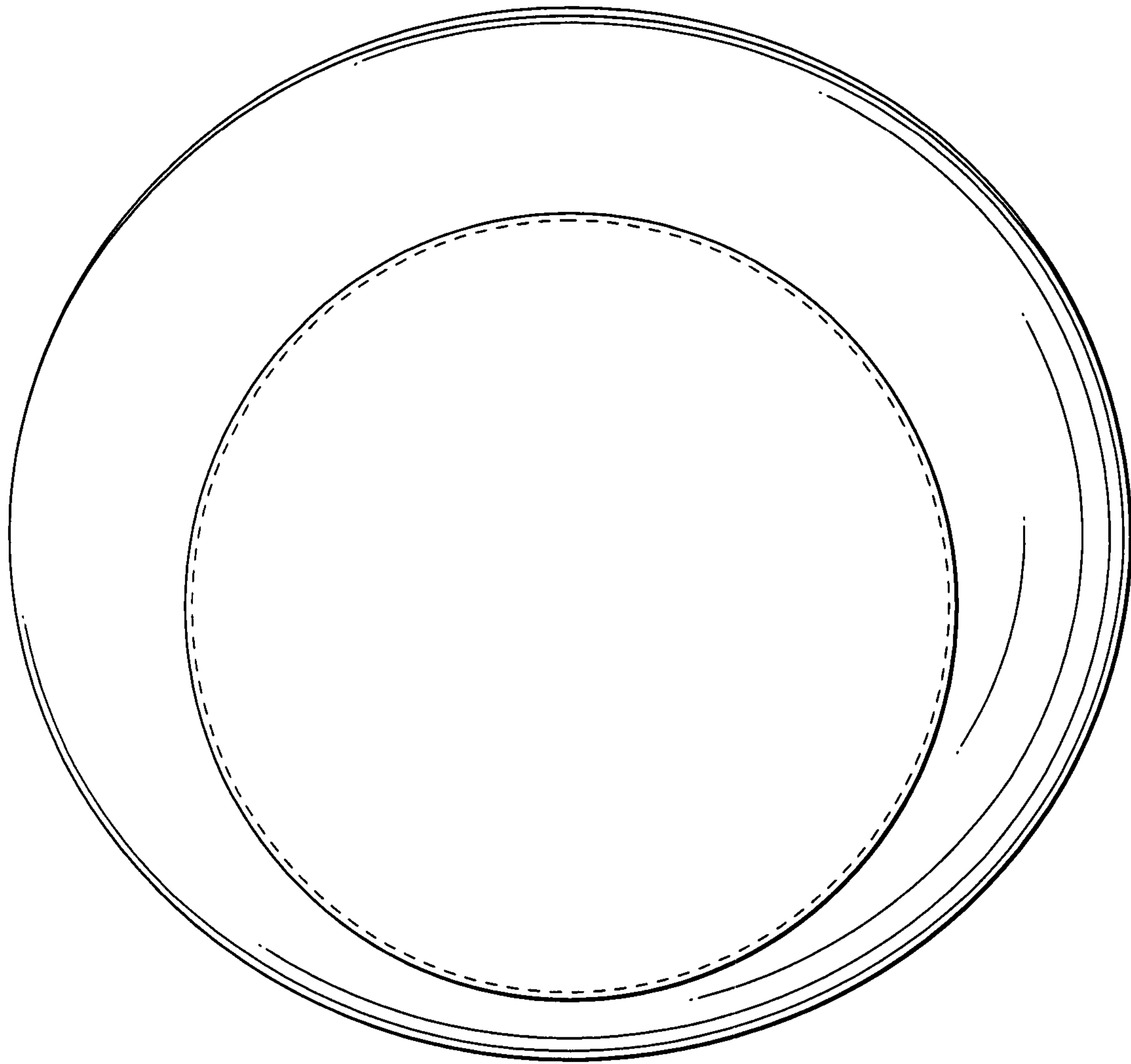


FIG. 7