



US00D564912S

(12) **United States Design Patent**  
**Holtzman**

(10) **Patent No.:** **US D564,912 S**  
(45) **Date of Patent:** **\*\* Mar. 25, 2008**

(54) **WATCH**

(75) **Inventor:** **Steven M. Holtzman**, Wilkes-Barre, PA (US)

(73) **Assignee:** **Luxury Watch Distribution, Inc.**, Wilkes-Barre, PA (US)

(\*\*) **Term:** **14 Years**

(21) **Appl. No.:** **29/282,518**

(22) **Filed:** **Jul. 23, 2007**

(51) **LOC (8) Cl.** ..... **10-02**

(52) **U.S. Cl.** ..... **D10/39**

(58) **Field of Classification Search** ..... D10/30-39;  
368/276, 281, 282, 285, 223, 228, 232, 80,  
368/277

See application file for complete search history.

(56) **References Cited**

**U.S. PATENT DOCUMENTS**

2,629,981	A *	3/1953	Melik-Minassiantz	.....	368/281
3,039,263	A *	6/1962	Wylter et al.	.....	368/282
D286,754	S *	11/1986	Manfredi	.....	D10/39
D286,755	S *	11/1986	Manfredi	.....	D10/39
D312,793	S *	12/1990	Fujiwara	.....	D10/39
D348,010	S *	6/1994	Riley	.....	D10/30
D352,466	S *	11/1994	Ventrella	.....	D10/32
D368,433	S *	4/1996	Schulze	.....	D10/39
D400,802	S *	11/1998	Galli	.....	D10/30

D401,513	S *	11/1998	Coquerel	.....	D10/39
D416,206	S *	11/1999	Aellen	.....	D10/32
D423,949	S *	5/2000	Stoll	.....	D10/32
D434,987	S *	12/2000	Versace	.....	D10/30
D473,474	S *	4/2003	Wunderman	.....	D10/32
D508,418	S *	8/2005	Kraft	.....	D10/38
D508,859	S *	8/2005	Ho	.....	D10/30
D521,394	S *	5/2006	Tang	.....	D10/30
D543,123	S *	5/2007	Min	.....	D10/38

\* cited by examiner

*Primary Examiner*—Lucy Lieberman

(74) *Attorney, Agent, or Firm*—Galbreath Law Offices, P.C.;  
John A. Galbreath

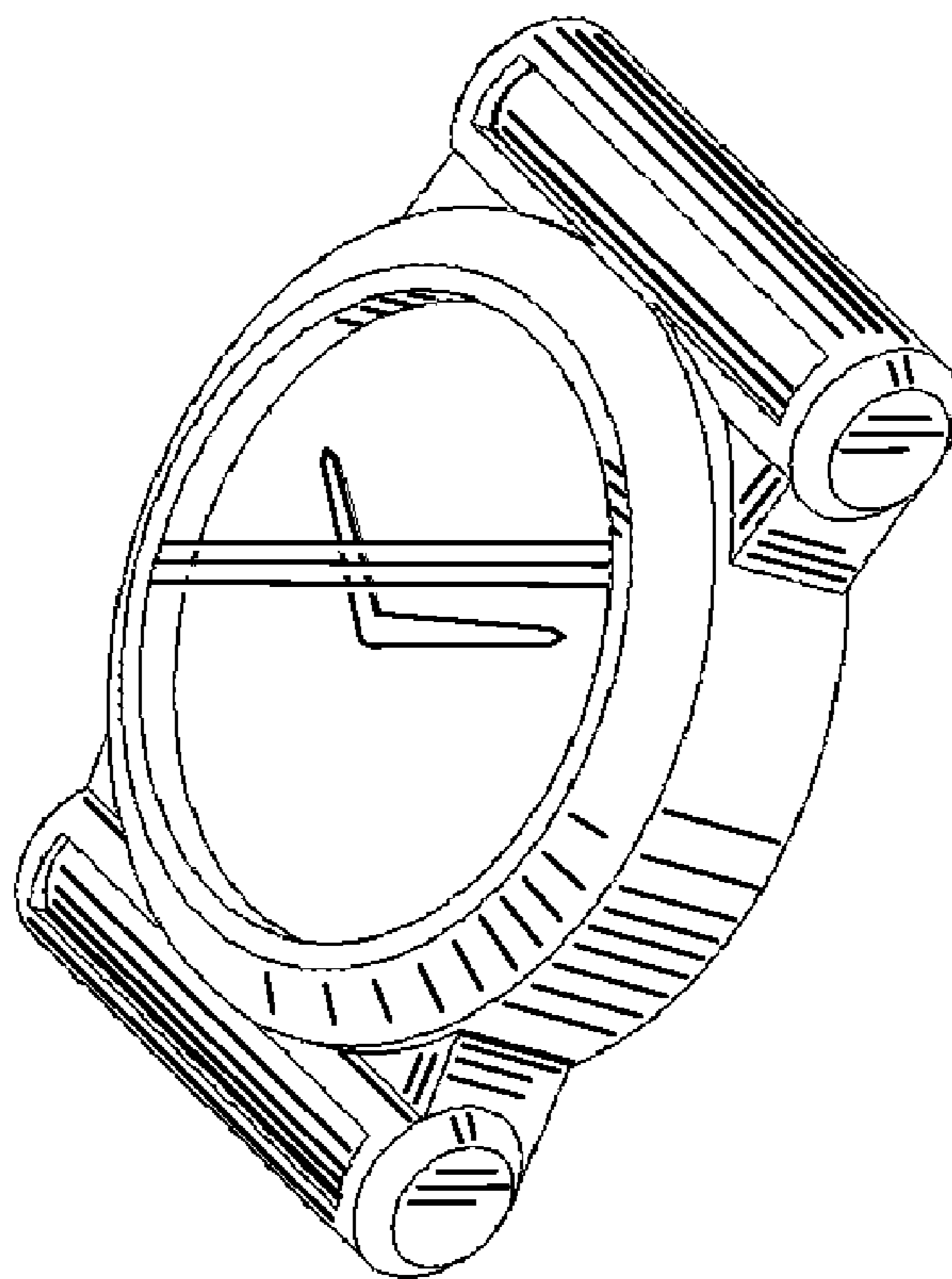
(57) **CLAIM**

The ornamental design for a watch, as shown and described.

**DESCRIPTION**

FIG. 1 is a front view of the invention;  
FIG. 2 is a back view of the invention;  
FIG. 3 is a side view of the invention;  
FIG. 4 is a side view of the invention, showing the side opposite that shown in FIG. 3;  
FIG. 5 is a top view of the invention;  
FIG. 6 is a bottom view of the invention; and,  
FIG. 7 is a perspective view of the invention.

**1 Claim, 1 Drawing Sheet**



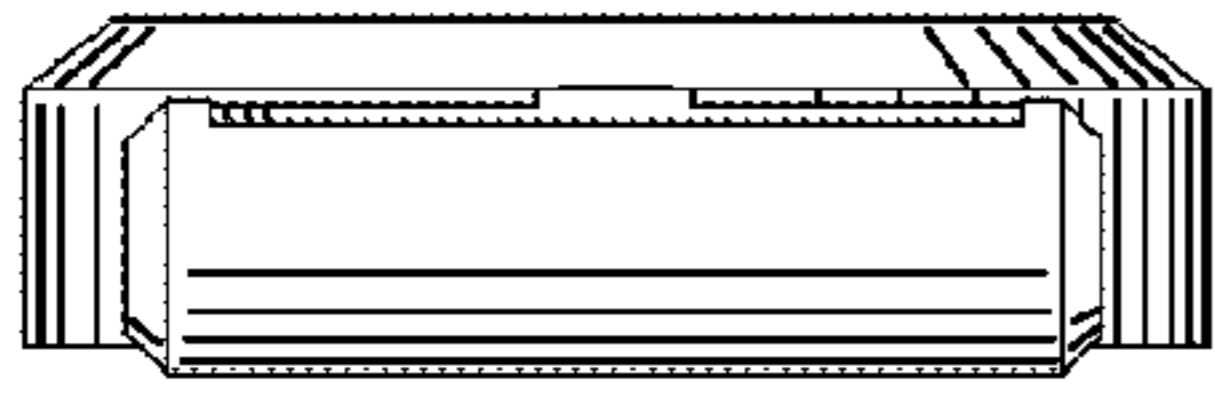


Fig. 1

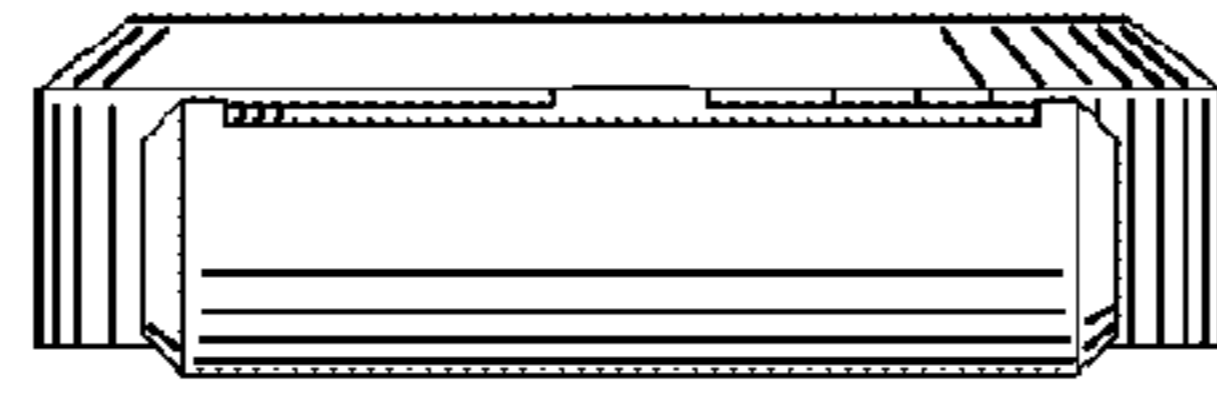


Fig. 2

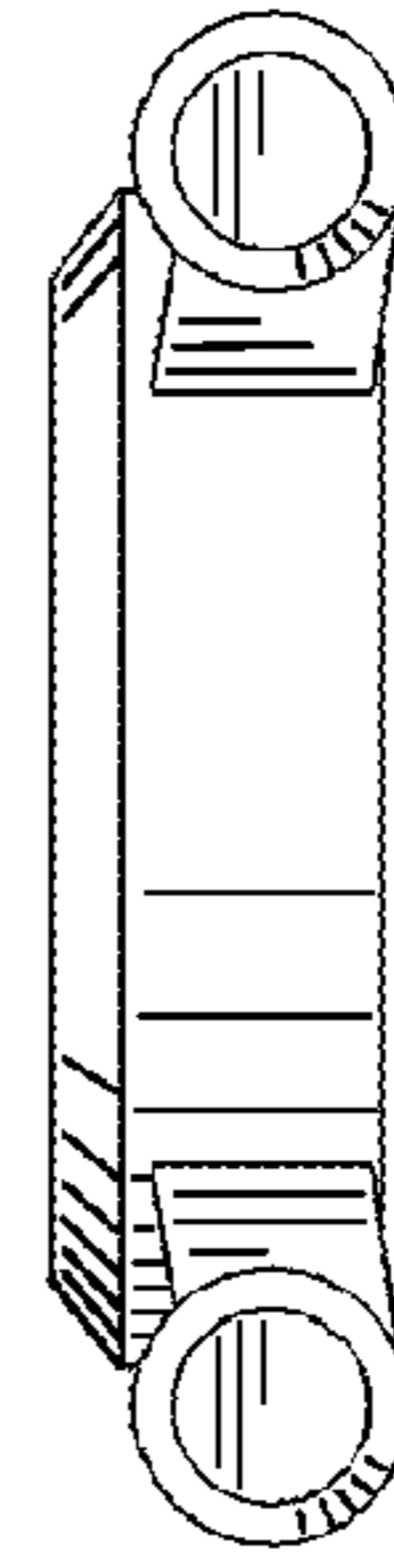


Fig. 3



Fig. 4

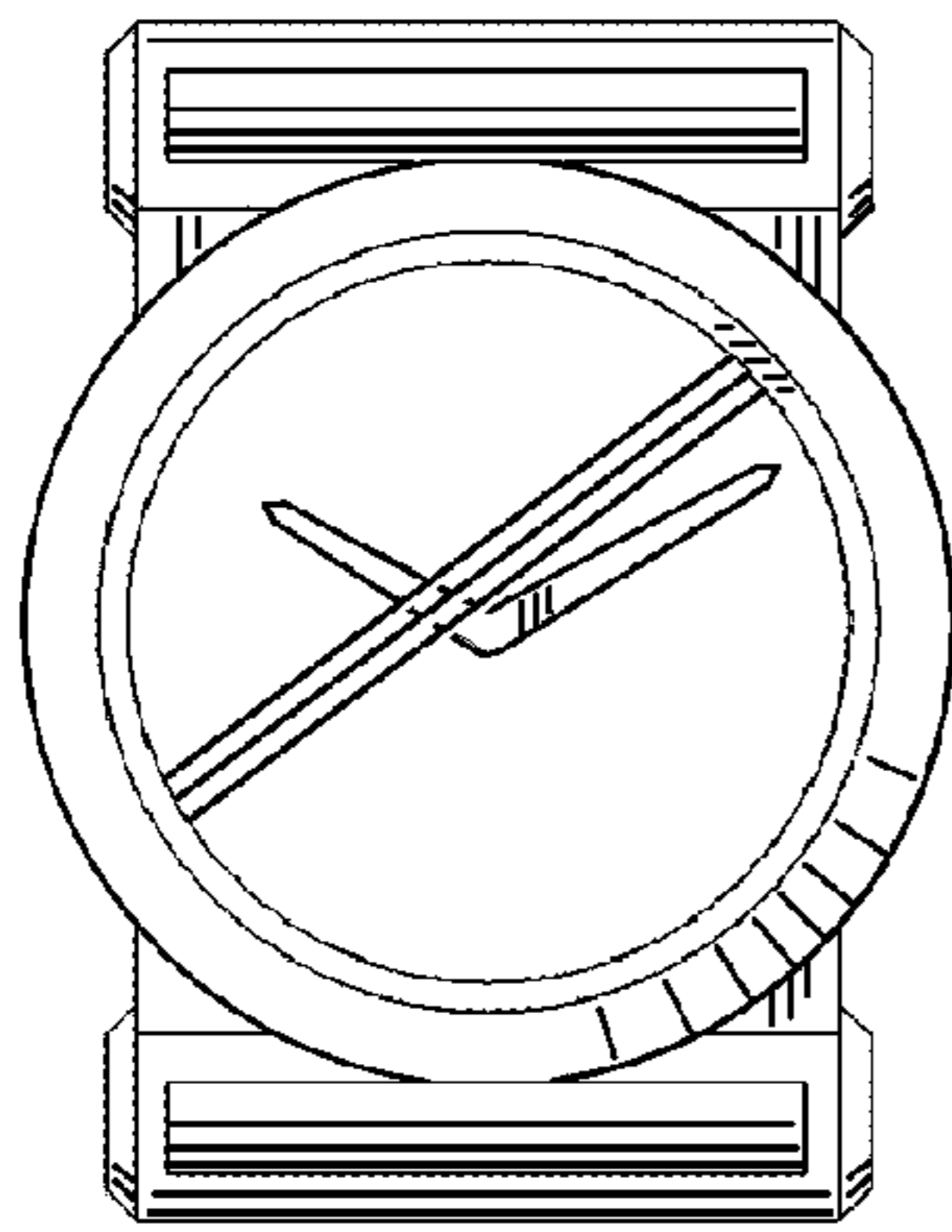


Fig. 5

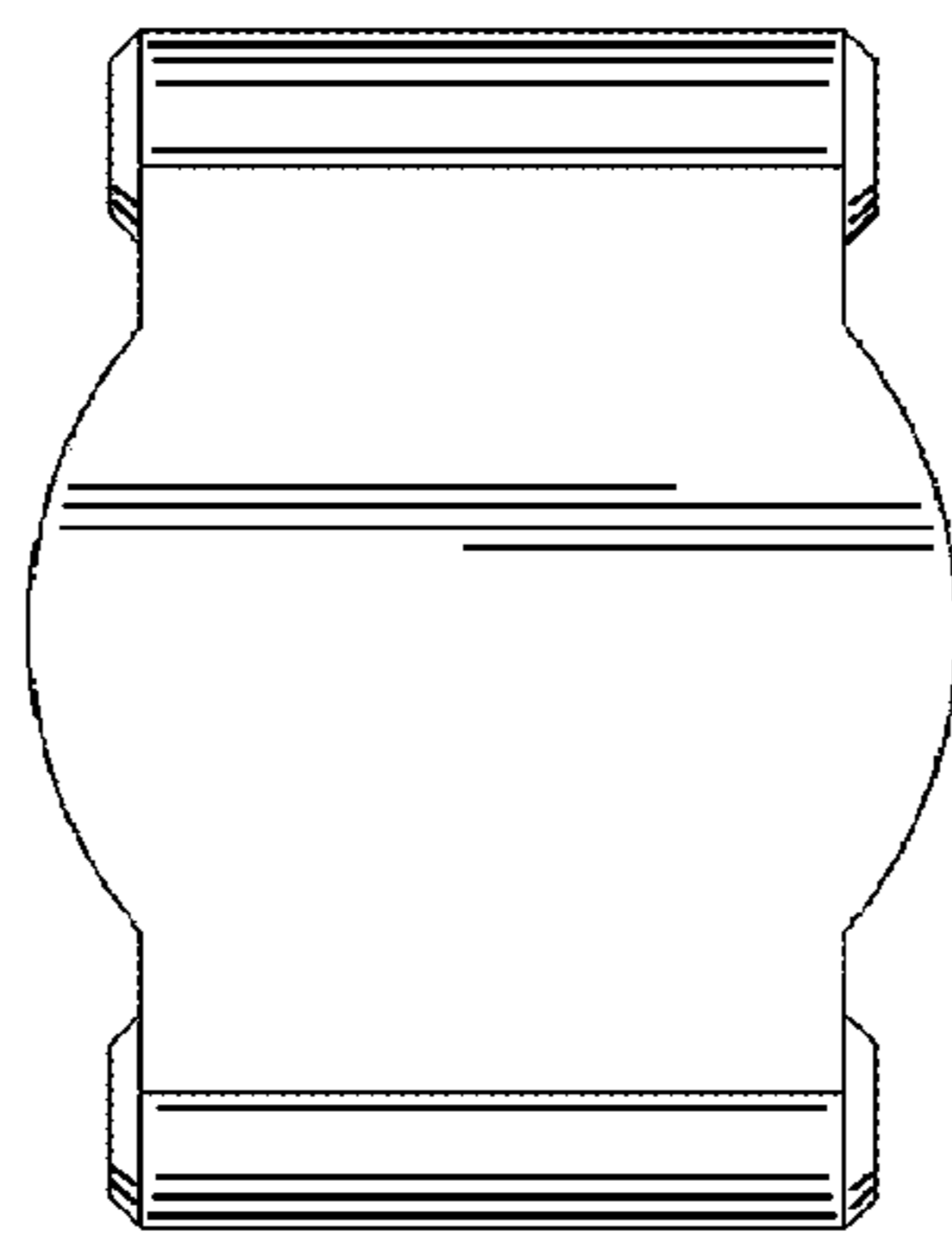


Fig. 6

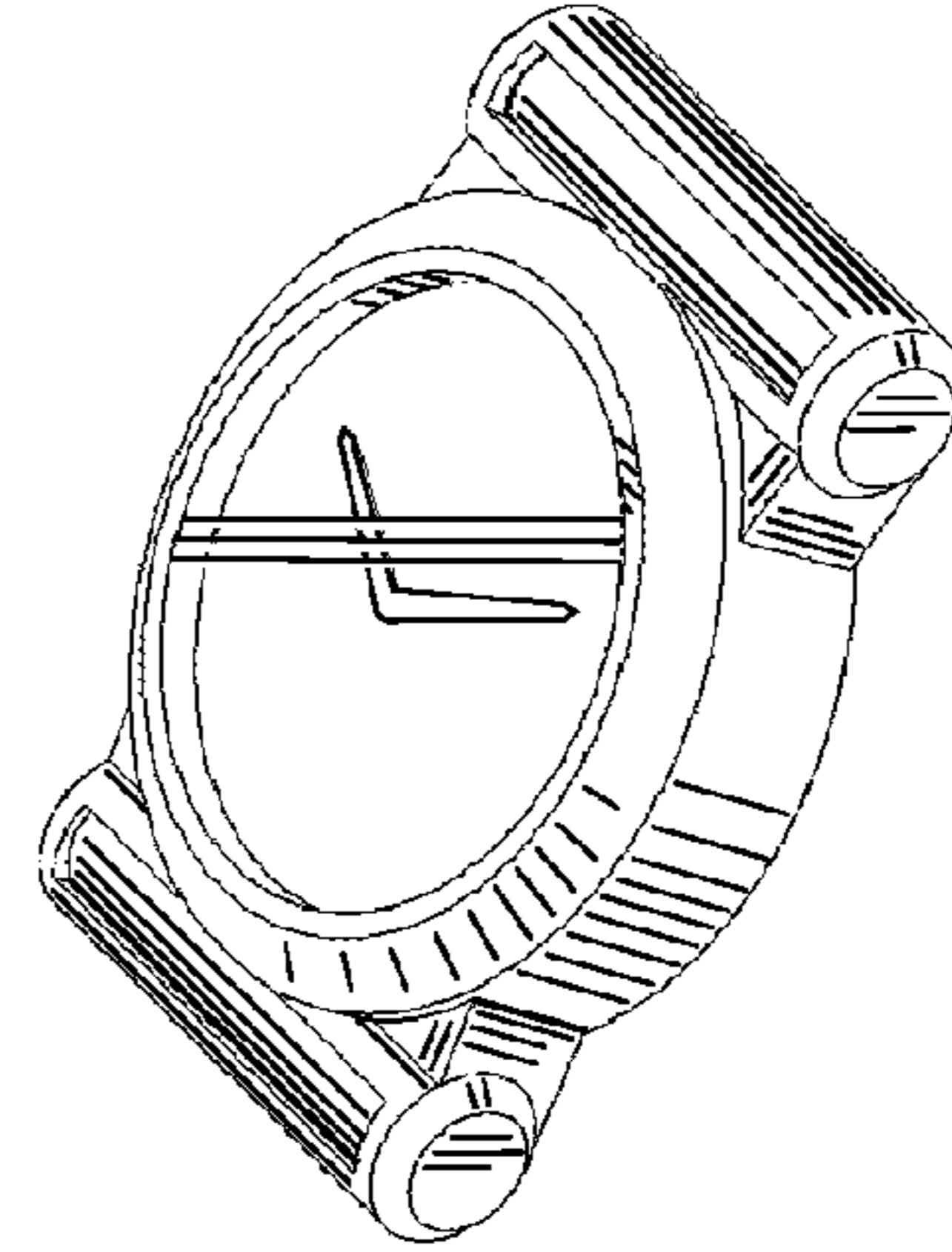


Fig. 7