



US00D564905S

(12) **United States Design Patent**
Auguanno

(10) **Patent No.:** **US D564,905 S**

(45) **Date of Patent:** **** Mar. 25, 2008**

(54) **WATCH**

(75) **Inventor:** **Fabio Auguanno**, La Chaux-de-Fonds (CH)

(73) **Assignee:** **Movado LLC**, Wilmington, DE (US)

(**) **Term:** **14 Years**

(21) **Appl. No.:** **29/285,664**

(22) **Filed:** **Apr. 4, 2007**

(51) **LOC (8) Cl.** **10-02**

(52) **U.S. Cl.** **D10/32**

(58) **Field of Classification Search** D10/30–39,
D10/123–126, 128; 368/276, 281, 282, 285,
368/223, 228, 232, 80, 294, 295; 224/164;
63/3, 3.1, 4; D11/3, 12
See application file for complete search history.

(56) **References Cited**

U.S. PATENT DOCUMENTS

2,361,563	A *	10/1944	Pellaton	368/80
D220,051	S *	3/1971	Gsell	D10/39
3,665,701	A *	5/1972	Burdet	368/295
3,696,610	A *	10/1972	Charbonnier	368/1
3,740,944	A *	6/1973	Chopard	368/281
3,901,023	A *	8/1975	Uebelhardt	368/281
3,986,335	A *	10/1976	Harper	368/83
4,228,389	A *	10/1980	Vennard	320/127
4,257,115	A *	3/1981	Hatuse et al.	368/69
5,077,708	A *	12/1991	Schneider	368/107
D327,851	S *	7/1992	Besson	D10/39
D330,167	S *	10/1992	Vincent	D10/32

D380,391	S *	7/1997	Osit	D10/30
6,234,668	B1 *	5/2001	Cooper	368/281
D471,482	S *	3/2003	Calvani	D11/3
6,575,618	B1 *	6/2003	Inoue et al.	368/295
D493,729	S *	8/2004	Monachon	D10/32
7,175,340	B1 *	2/2007	Kinney	368/282
D538,182	S *	3/2007	Lalo	D10/32

* cited by examiner

Primary Examiner—Lucy Lieberman

(74) *Attorney, Agent, or Firm*—Fross Zelnick Lehrman & Zissu, P.C.; Lawrence E. Apolzon, Esq.

(57) **CLAIM**

The ornamental design for a watch, as shown and described.

DESCRIPTION

FIG. 1 is a front perspective view of a watch showing my new design;

FIG. 2 is a front view of the watch shown in FIG. 1;

FIG. 3 is a rear view of the watch shown in FIG. 1;

FIG. 4 is a right side view of the watch shown in FIG. 1;

FIG. 5 is a left side view of the watch shown in FIG. 1;

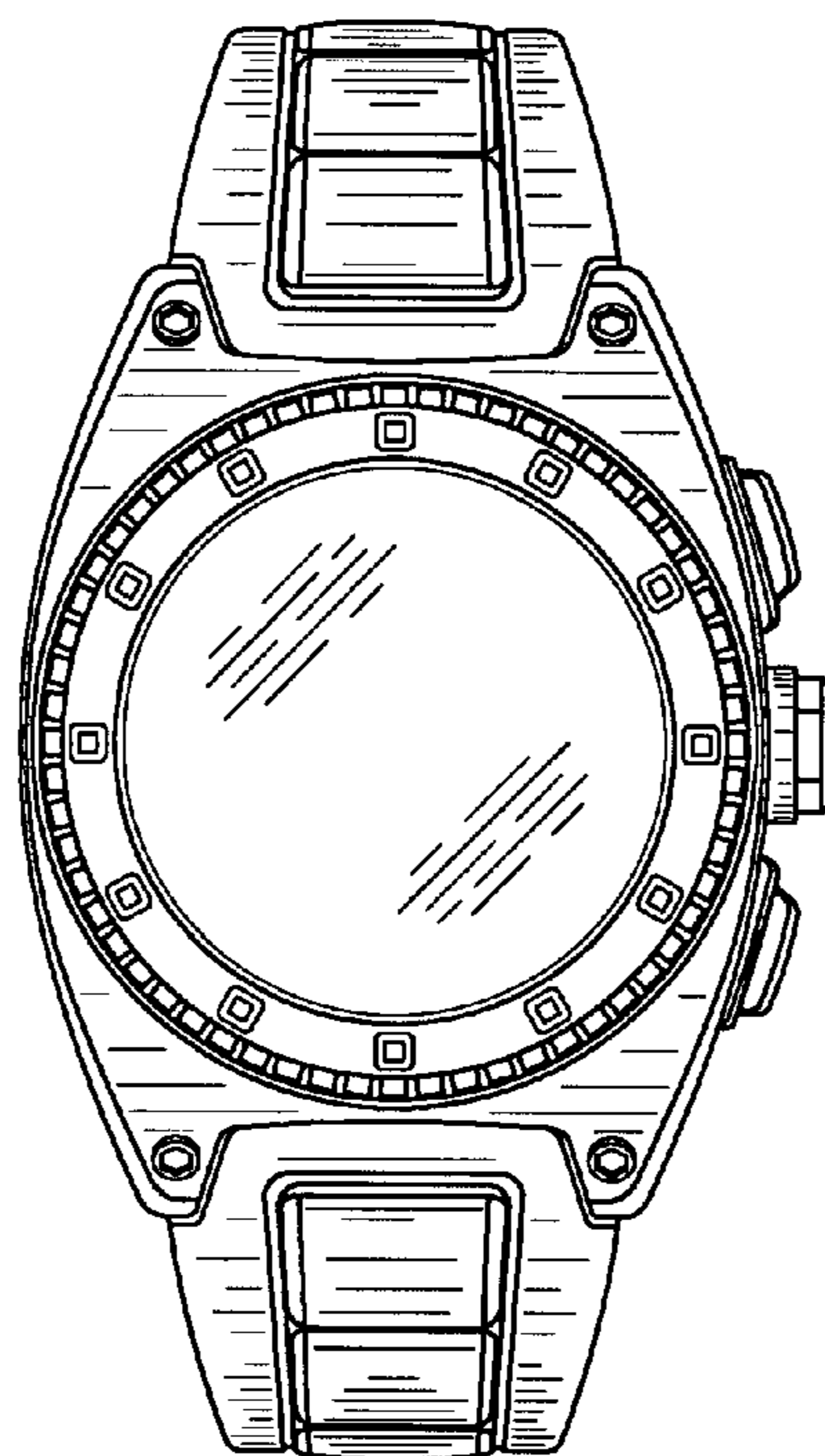
FIG. 6 is a top view of the watch shown in FIG. 1;

FIG. 7 is a bottom view of the watch shown in FIG. 1; and,

FIG. 8 is a front view of a the watch shown in FIG. 1, in an open position.

The broken line showing of the clasp is for illustrative purposes only and forms no part of the claimed design.

1 Claim, 5 Drawing Sheets



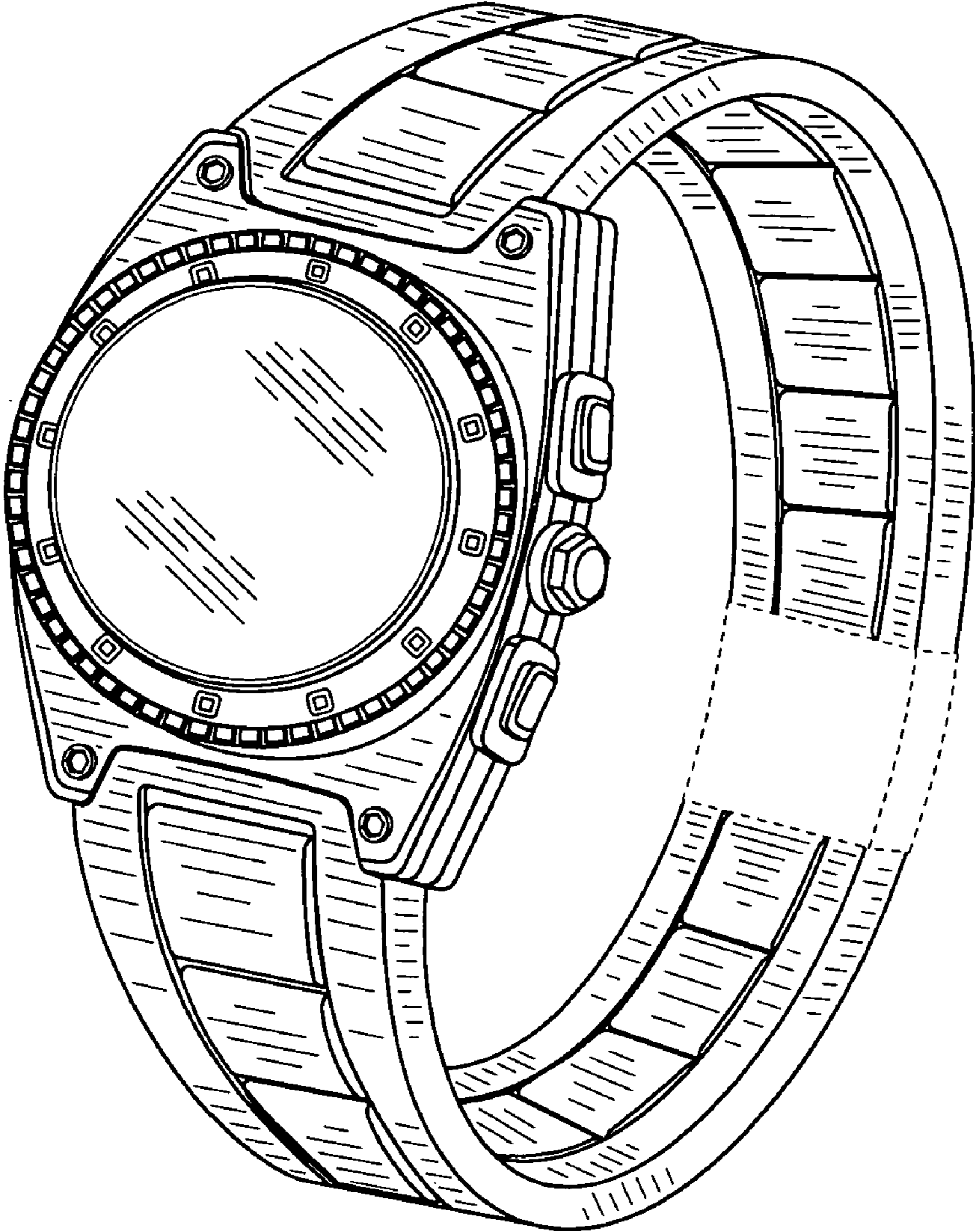


FIG. 1

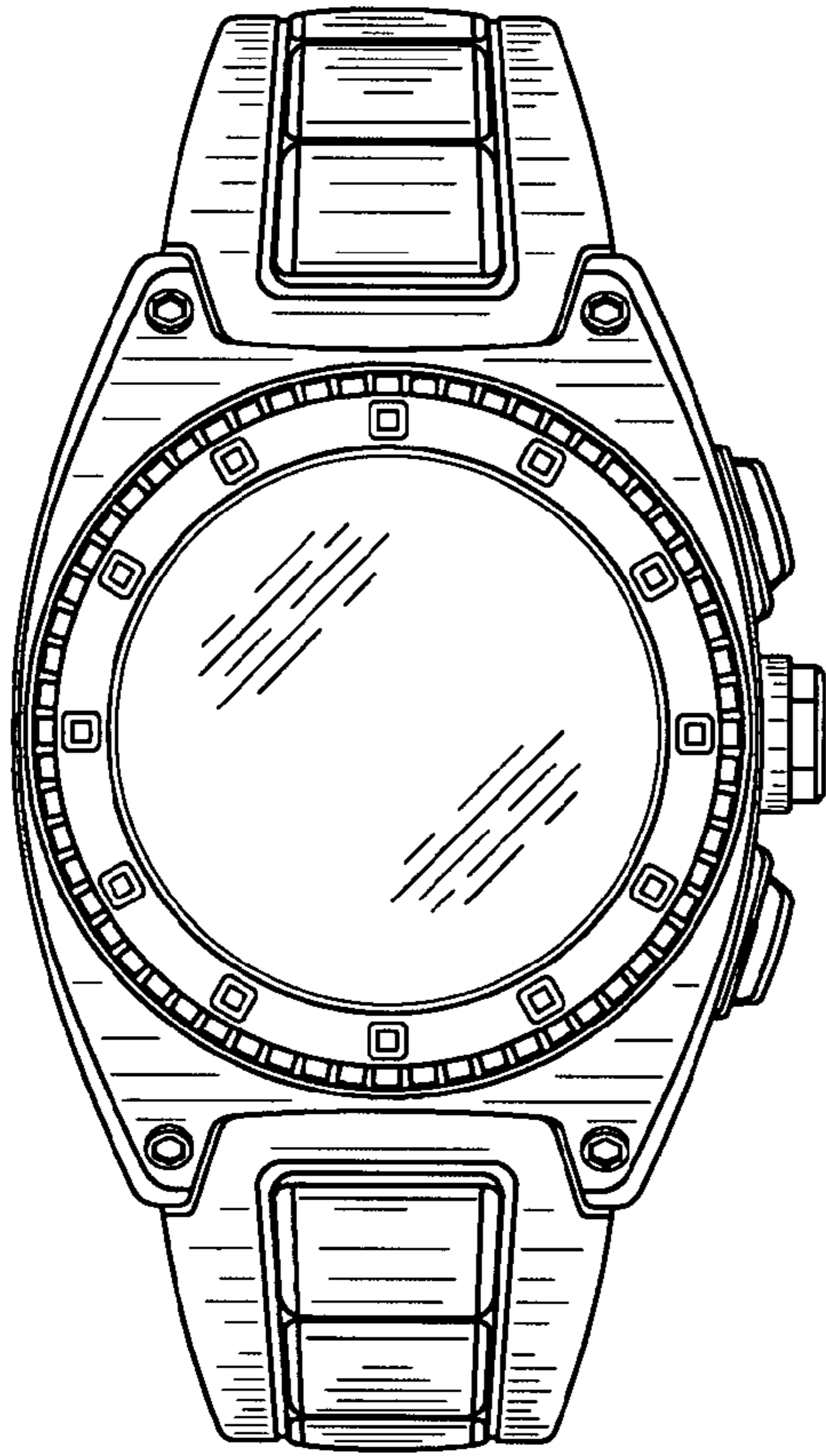


FIG. 2

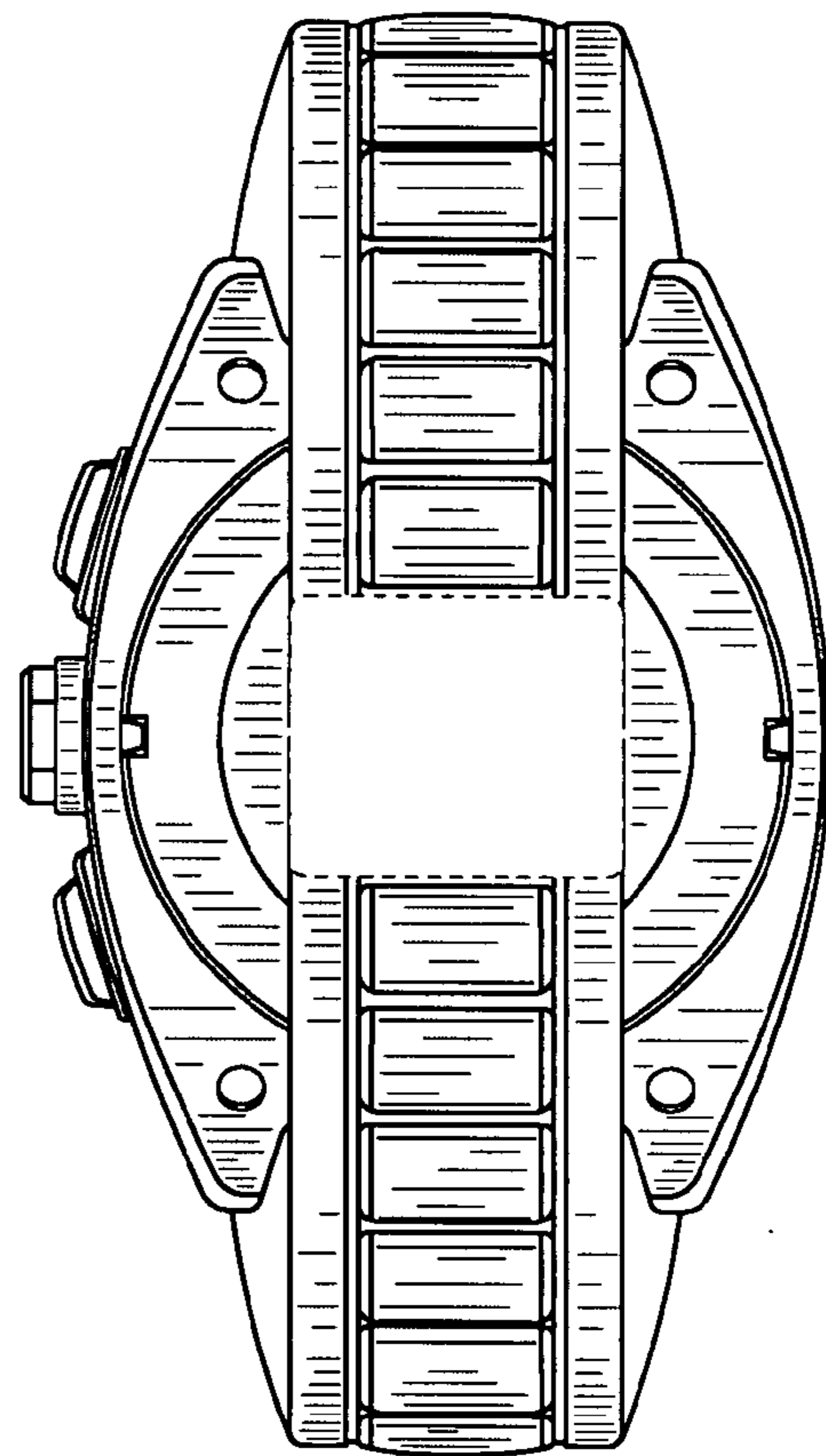


FIG. 3

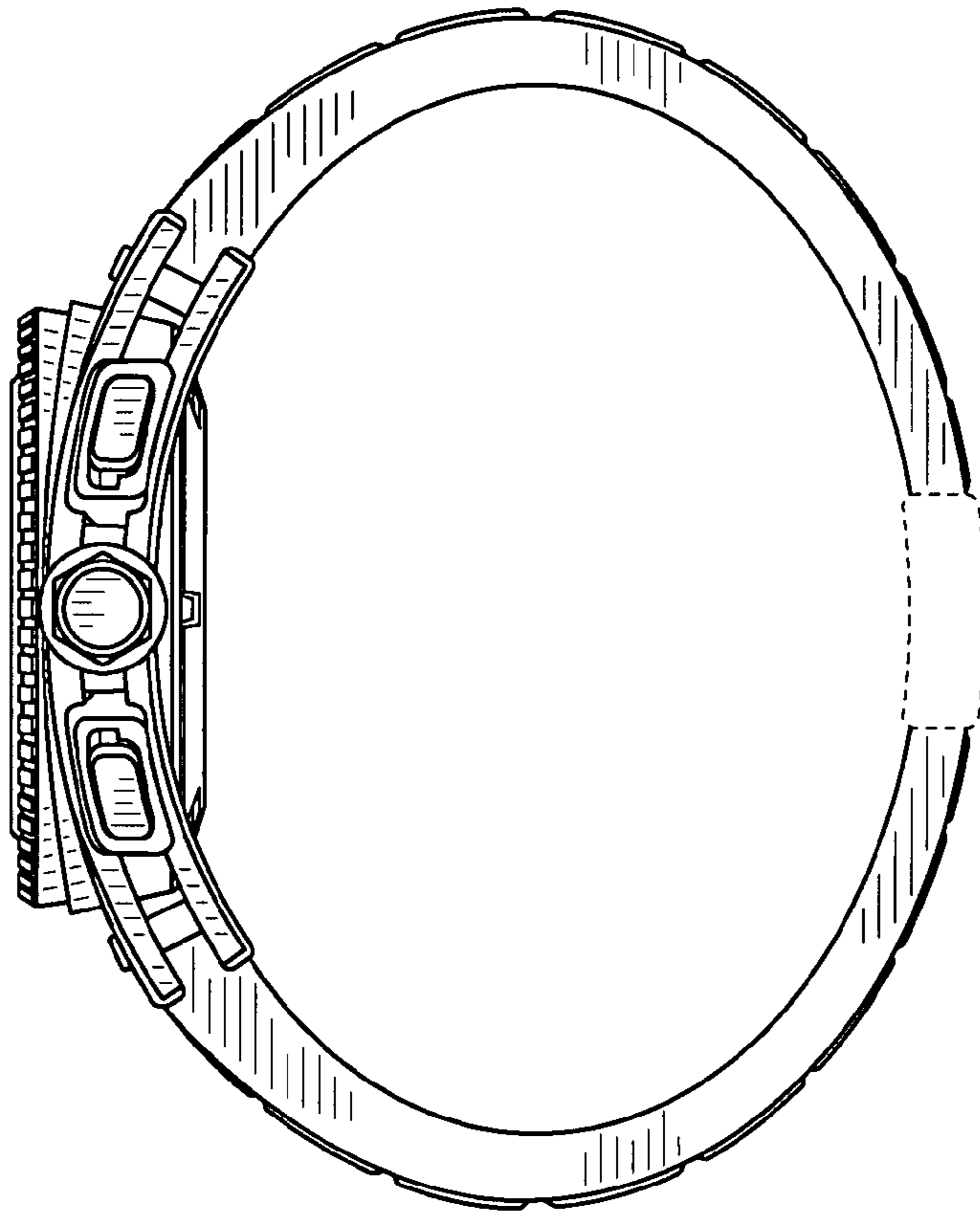


FIG. 4

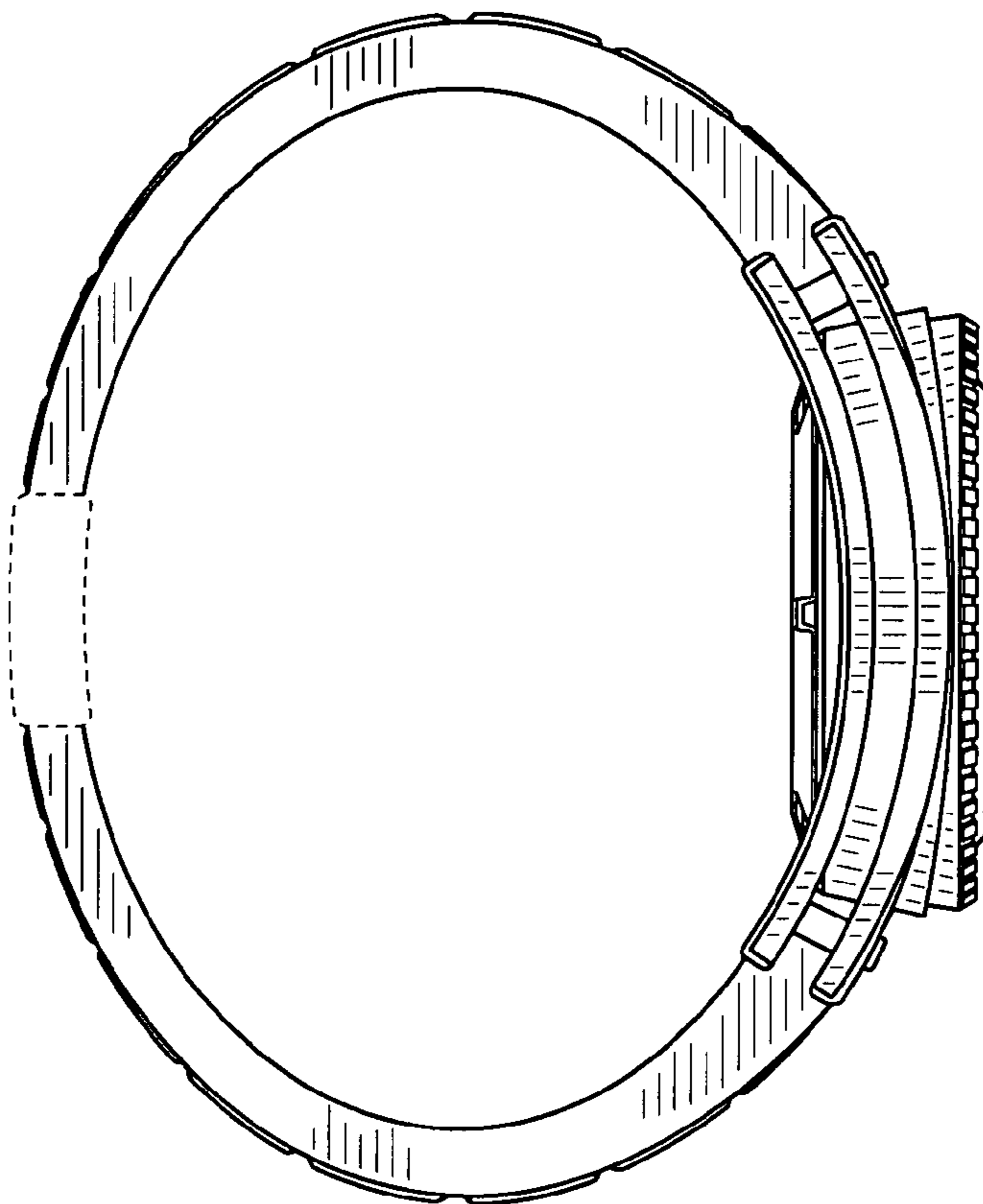


FIG. 5

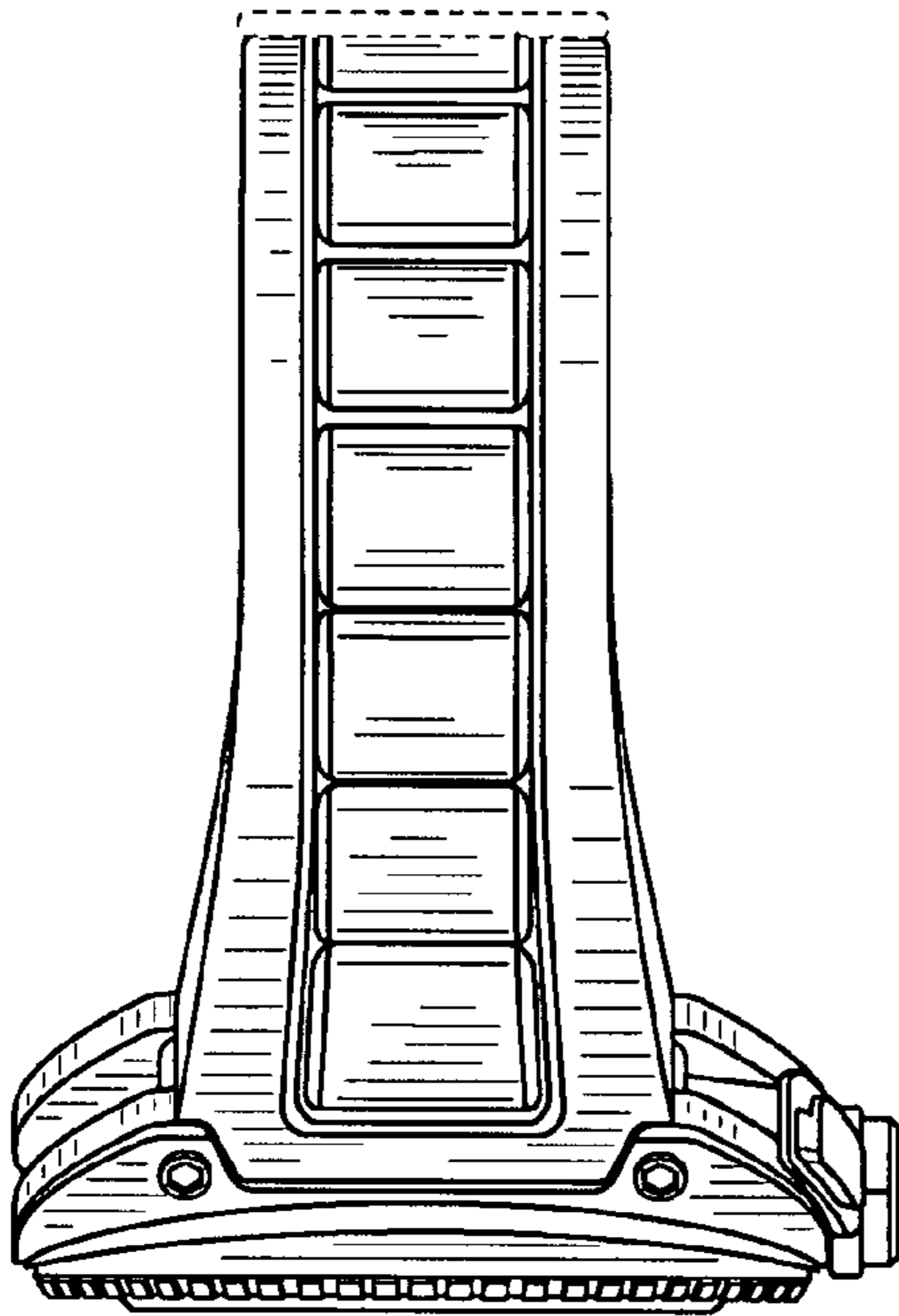


FIG. 6

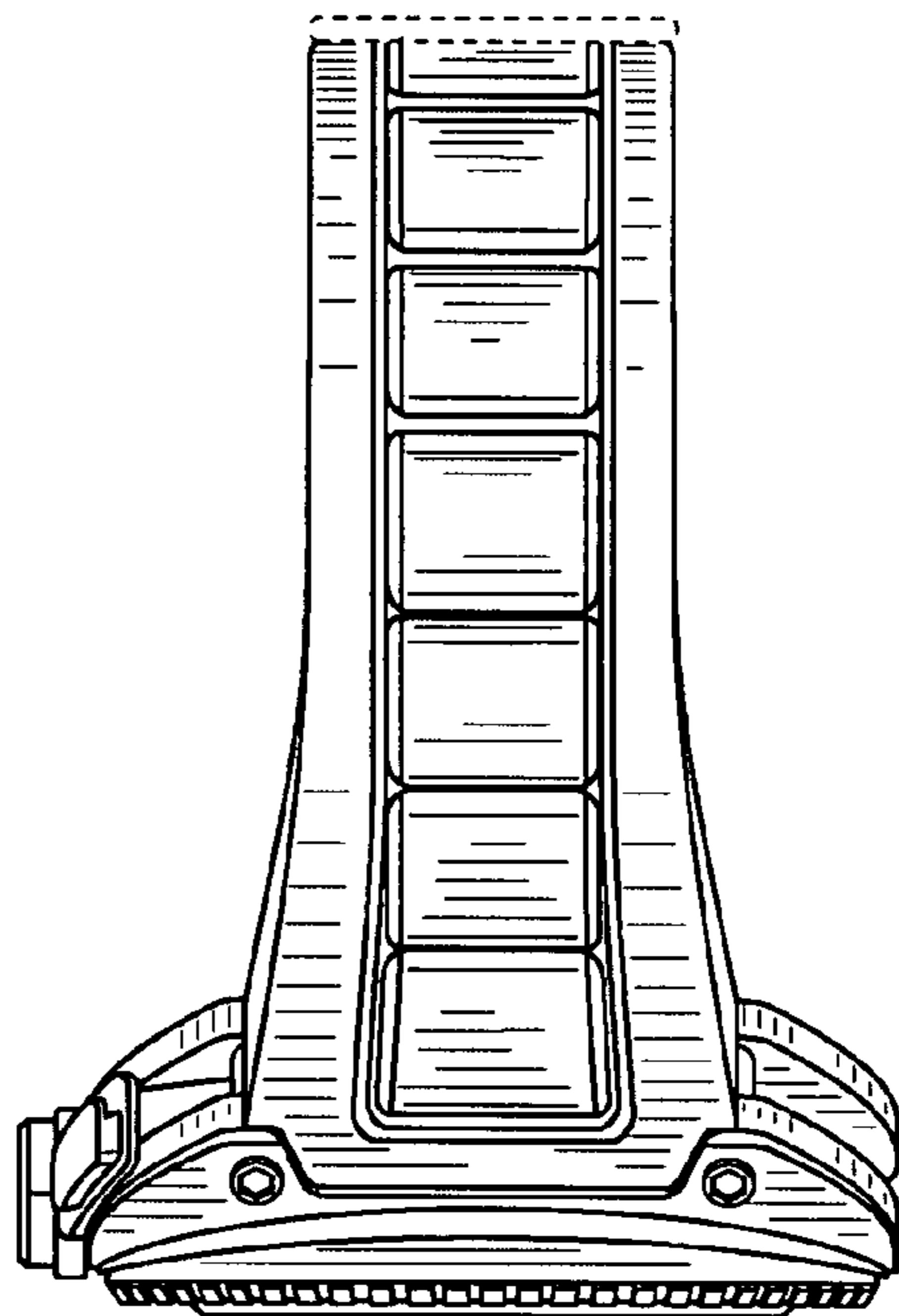


FIG. 7

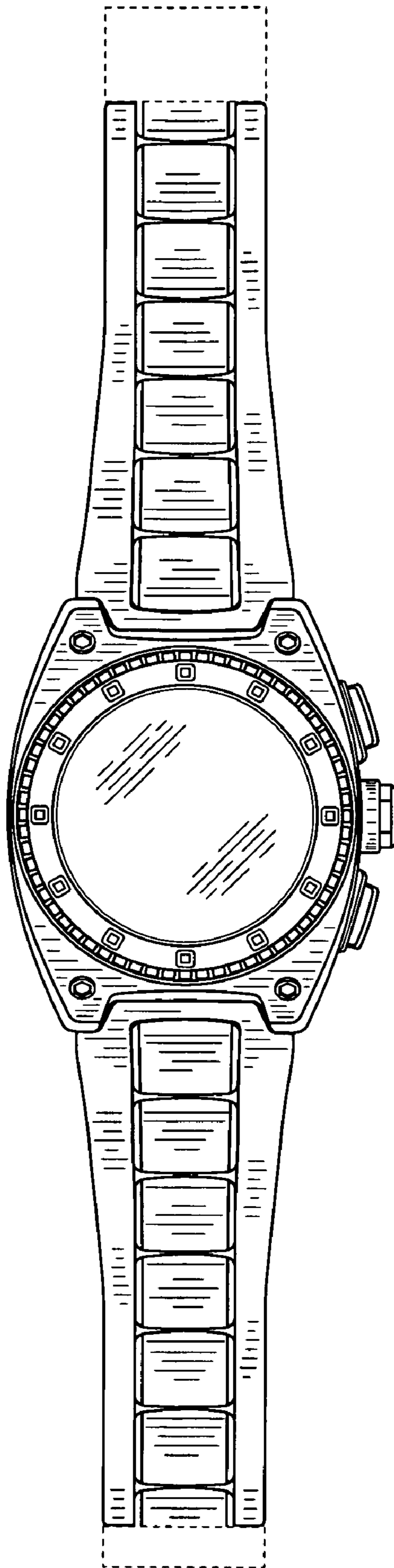


FIG. 8