



US00D564902S

(12) **United States Design Patent**  
**Chin et al.**

(10) **Patent No.:** **US D564,902 S**  
(45) **Date of Patent:** **\*\* Mar. 25, 2008**

(54) **BOX FOR COSMETICS**

D454,015 S \* 3/2002 Okin et al. .... D9/734  
D495,545 S \* 9/2004 Niehues ..... D6/518  
D495,910 S \* 9/2004 Zaidman ..... D6/518

(75) Inventors: **Henry Young Chin**, Portland, OR  
(US); **Niklas Gustavsson**, Portland, OR  
(US); **Michael Remus**, Heidelberg  
(DE); **Martin Zethoff**, Kelkheim (DE)

(73) Assignee: **The Procter & Gamble Company**,  
Cincinnati, OH (US)

\* cited by examiner

*Primary Examiner*—Stella M. Reid

*Assistant Examiner*—Shanda C. Hill

(\*\*) Term: **14 Years**

(74) *Attorney, Agent, or Firm*—Sarah Ann Dressel; Laura L.  
Whitmer; Richard L. Alexander

(21) Appl. No.: **29/288,470**

(22) Filed: **Jun. 11, 2007**

(57) **CLAIM**

The ornamental design for a box for cosmetics, as shown  
and described.

**Related U.S. Application Data**

(63) Continuation of application No. 29/242,799, filed on  
Nov. 15, 2005, now Pat. No. Des. 548,614, which is  
a continuation of application No. 29/219,954, filed on  
Dec. 22, 2004, now Pat. No. Des. 516,437.

**DESCRIPTION**

(30) **Foreign Application Priority Data**

Jun. 23, 2004 (EM) ..... 000193131

(51) **LOC (8) Cl.** ..... **09-01**

(52) **U.S. Cl.** ..... **D9/734**

(58) **Field of Classification Search** ..... D9/730,  
D9/734, 736, 414, 420–425, 430, 432, 512,  
D9/515, 518, 523; D3/903; 206/384, 494;  
221/33, 45, 63, 282, 244; 222/92, 99, 101,  
222/526, 528, 532, 541.1, 542, 564

See application file for complete search history.

FIG. 1 is a perspective view showing our design;

FIG. 2 is a front elevation view thereof;

FIG. 3 is a rear elevation view thereof;

FIG. 4 is a left side elevation view thereof;

FIG. 5 is right side elevation view thereof; and,

FIG. 6 is top plan view thereof.

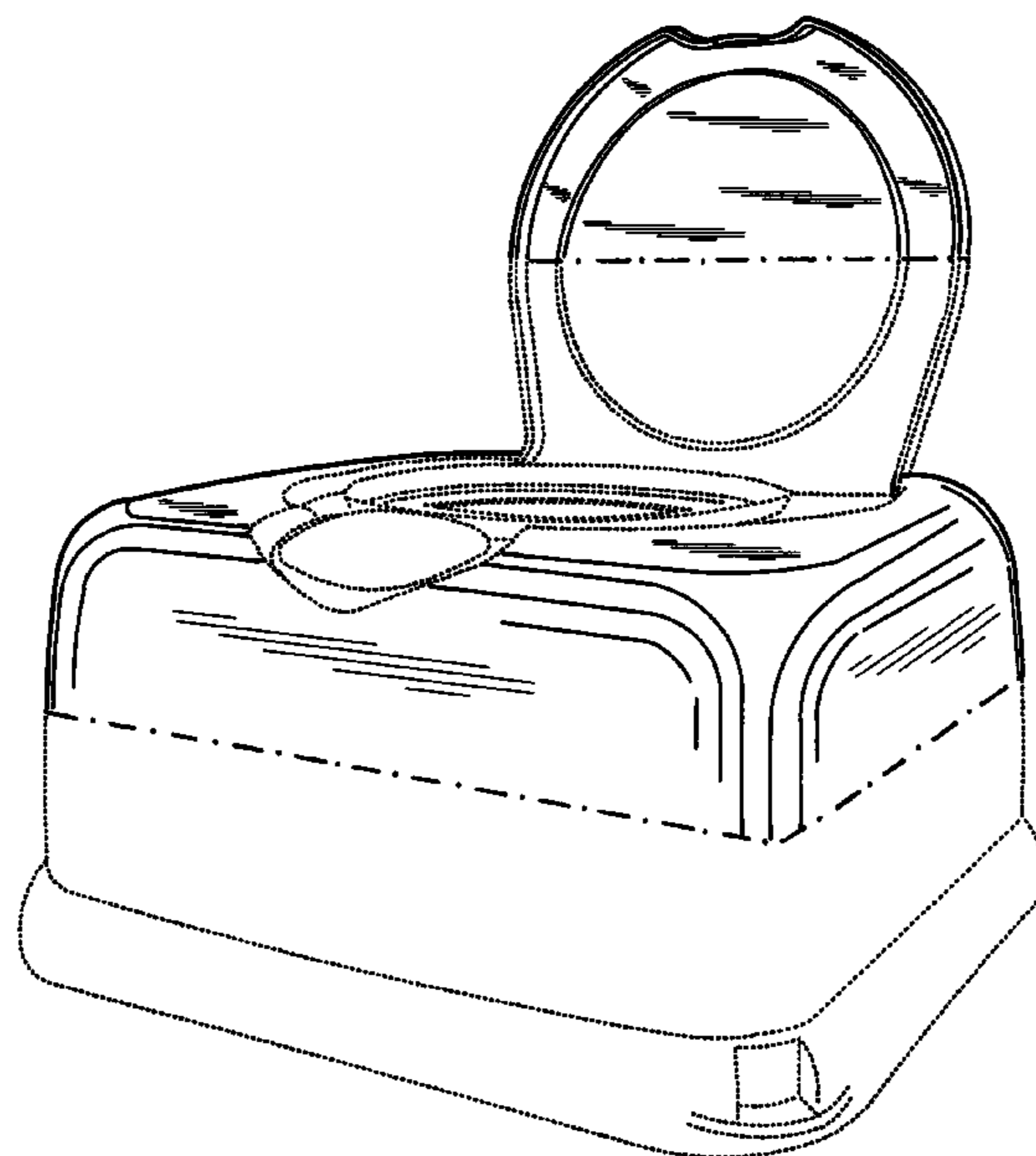
The broken lines shown in the drawing disclosure are for  
illustrative purposes only and form no part of the claimed  
design. The broken lines(s) which define the bounds of the  
claimed design form no part of the claimed design.

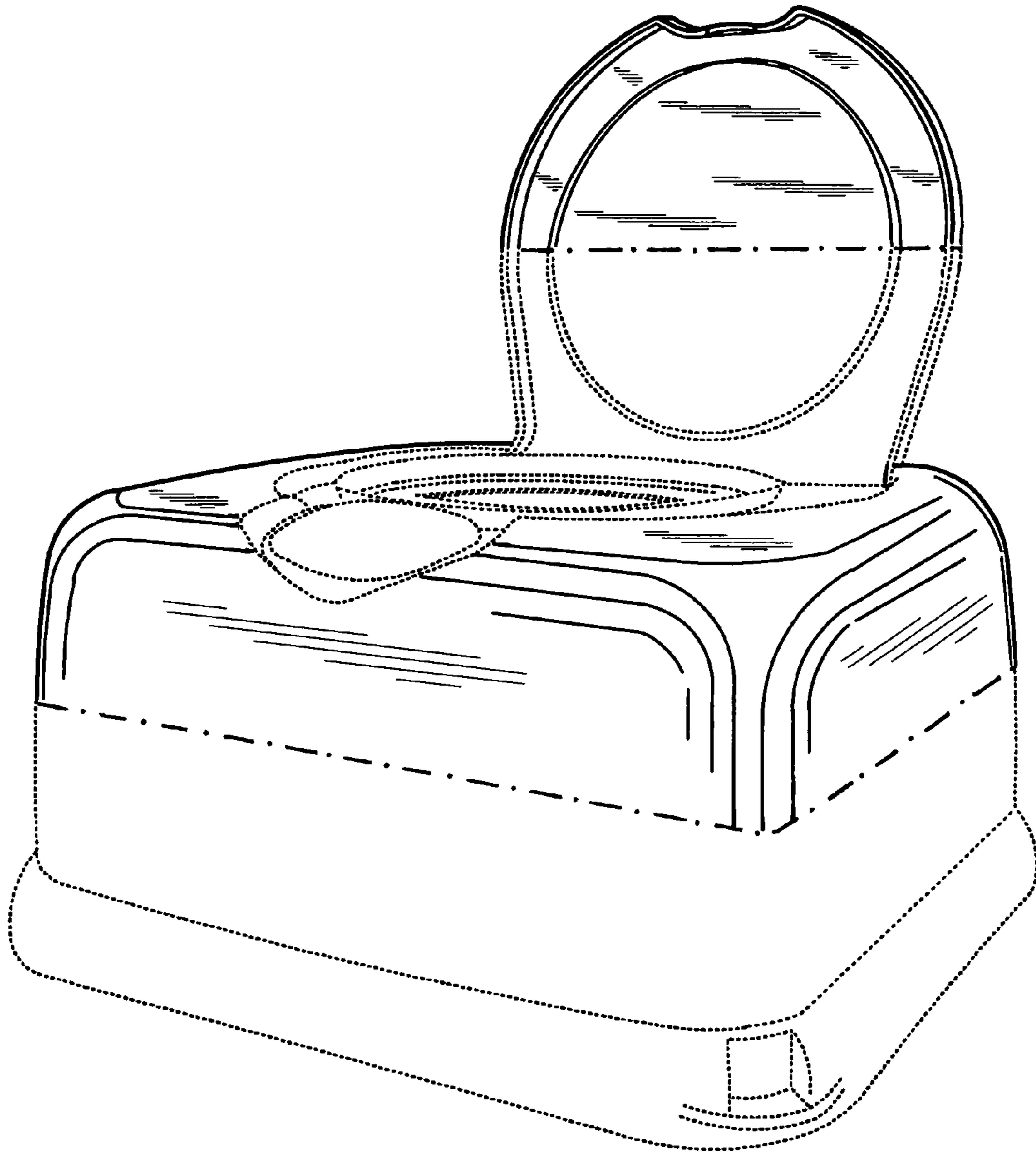
(56) **References Cited**

**U.S. PATENT DOCUMENTS**

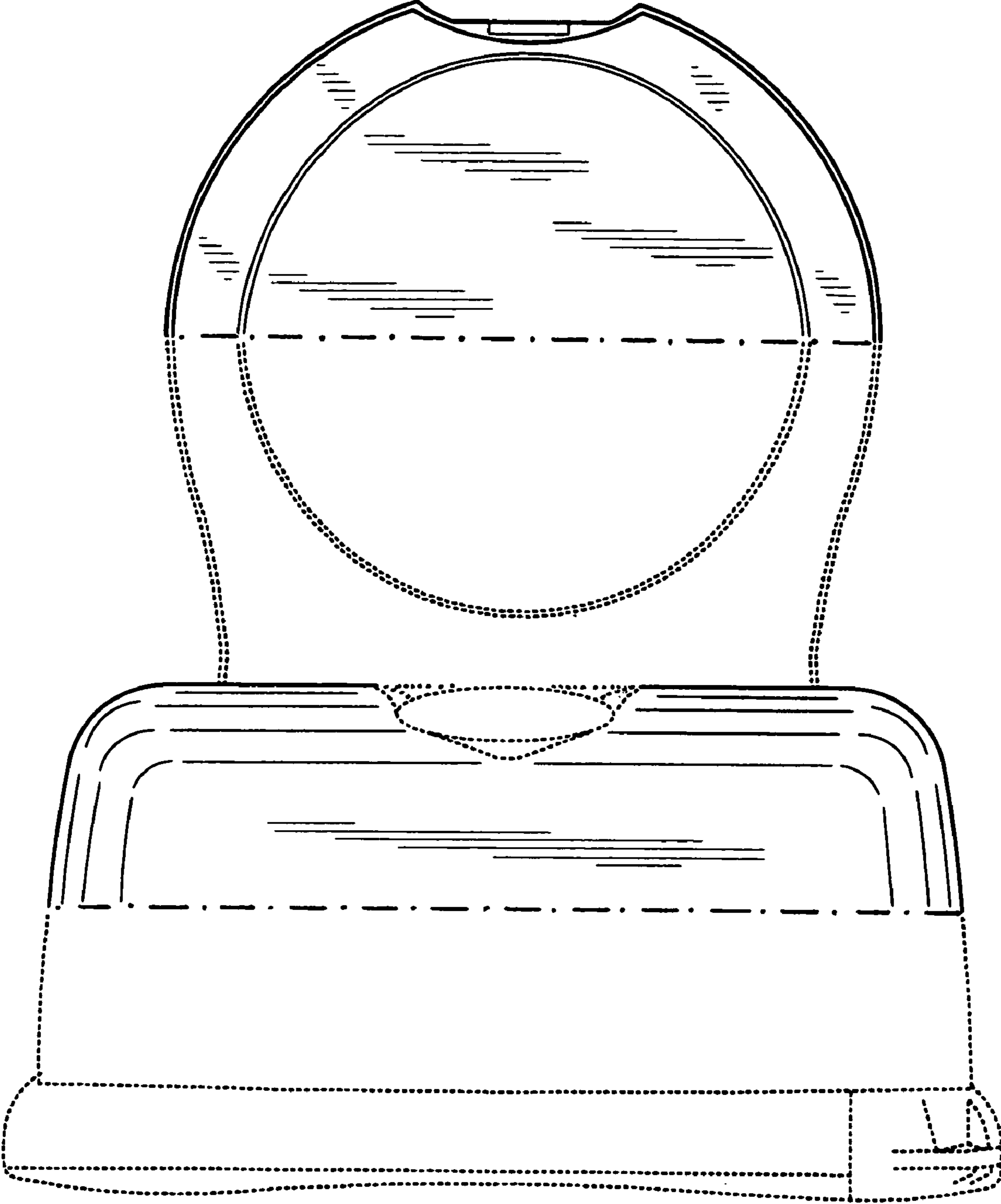
D446,449 S \* 8/2001 Conway ..... D9/420

**1 Claim, 6 Drawing Sheets**

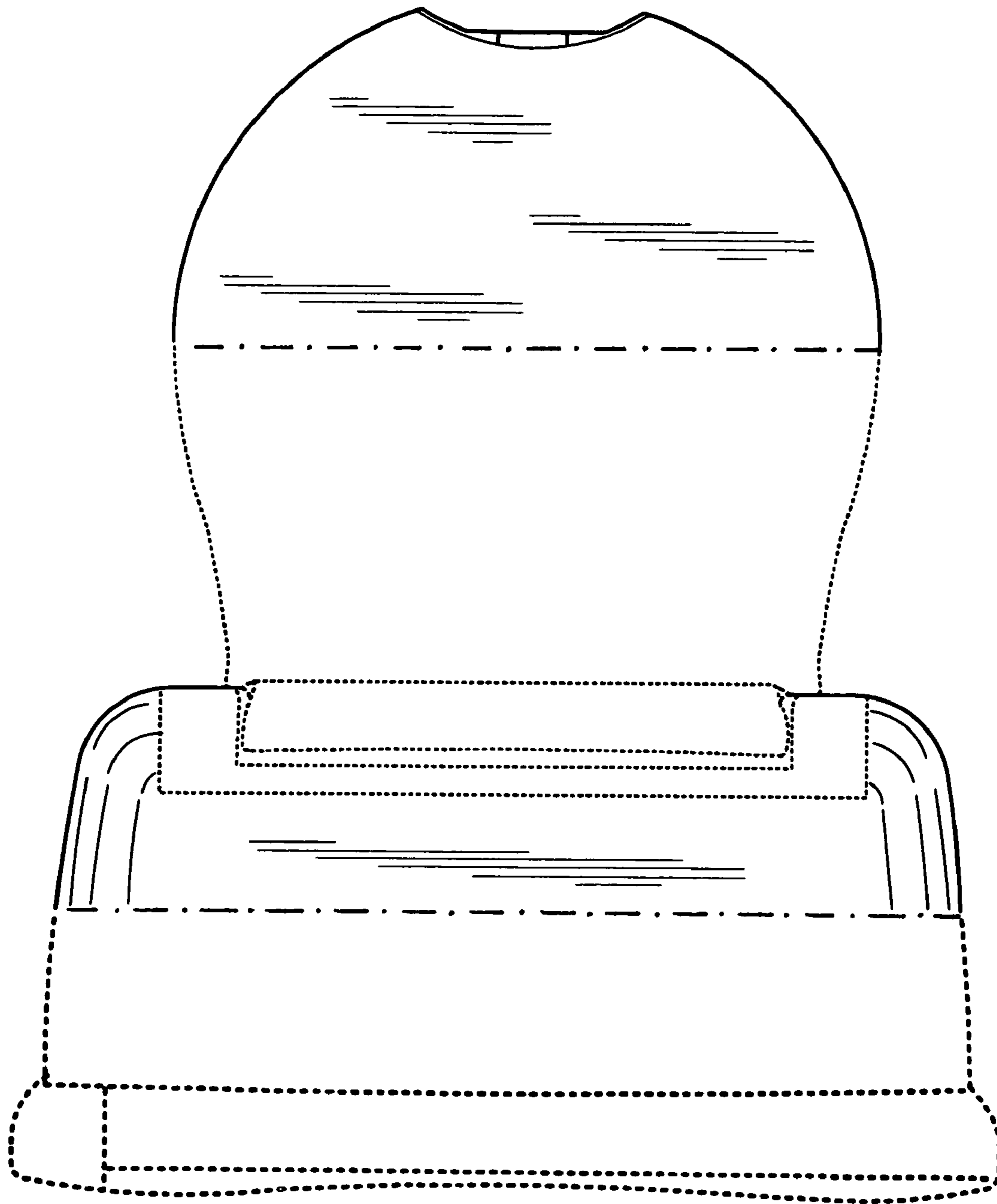




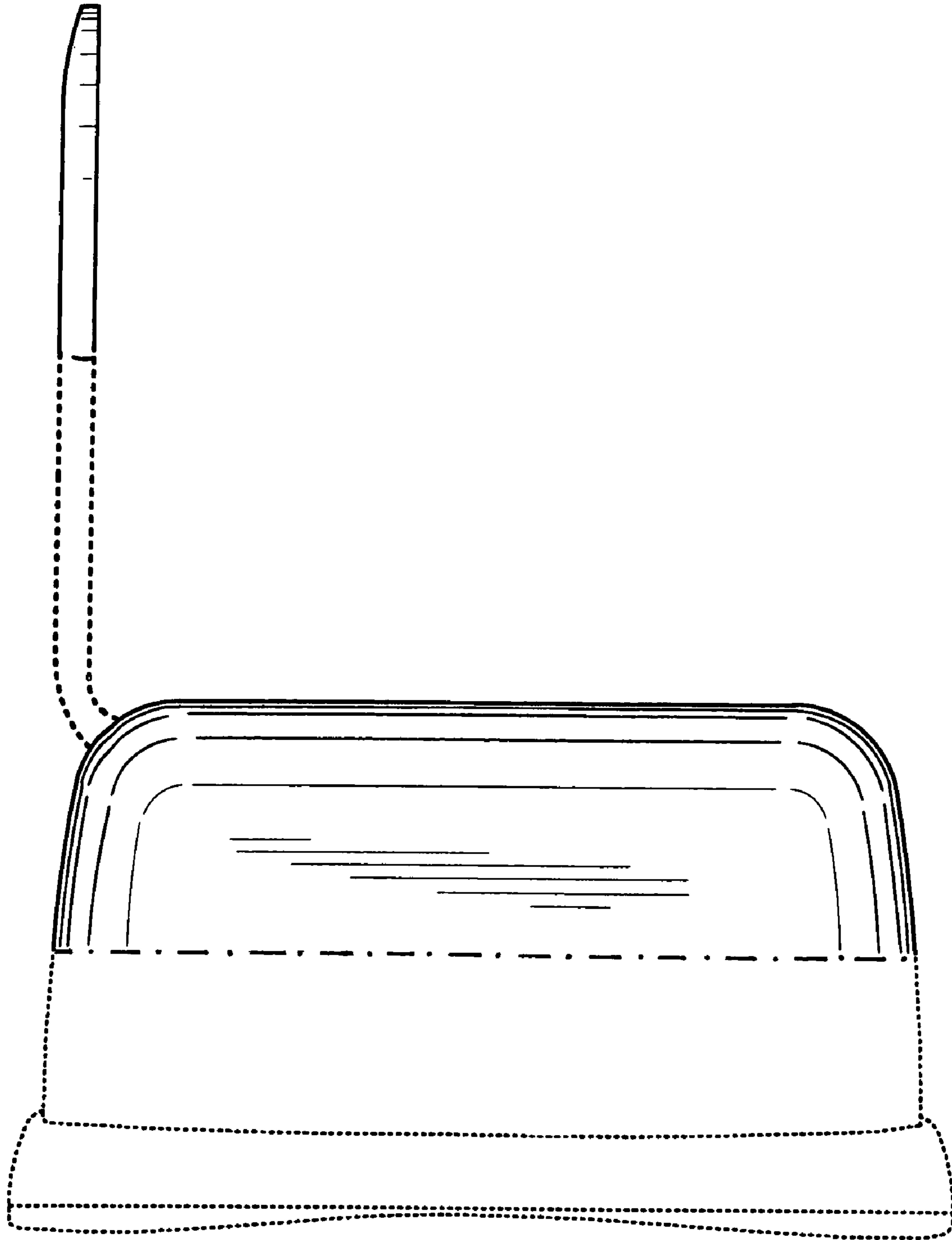
*Fig. 1*



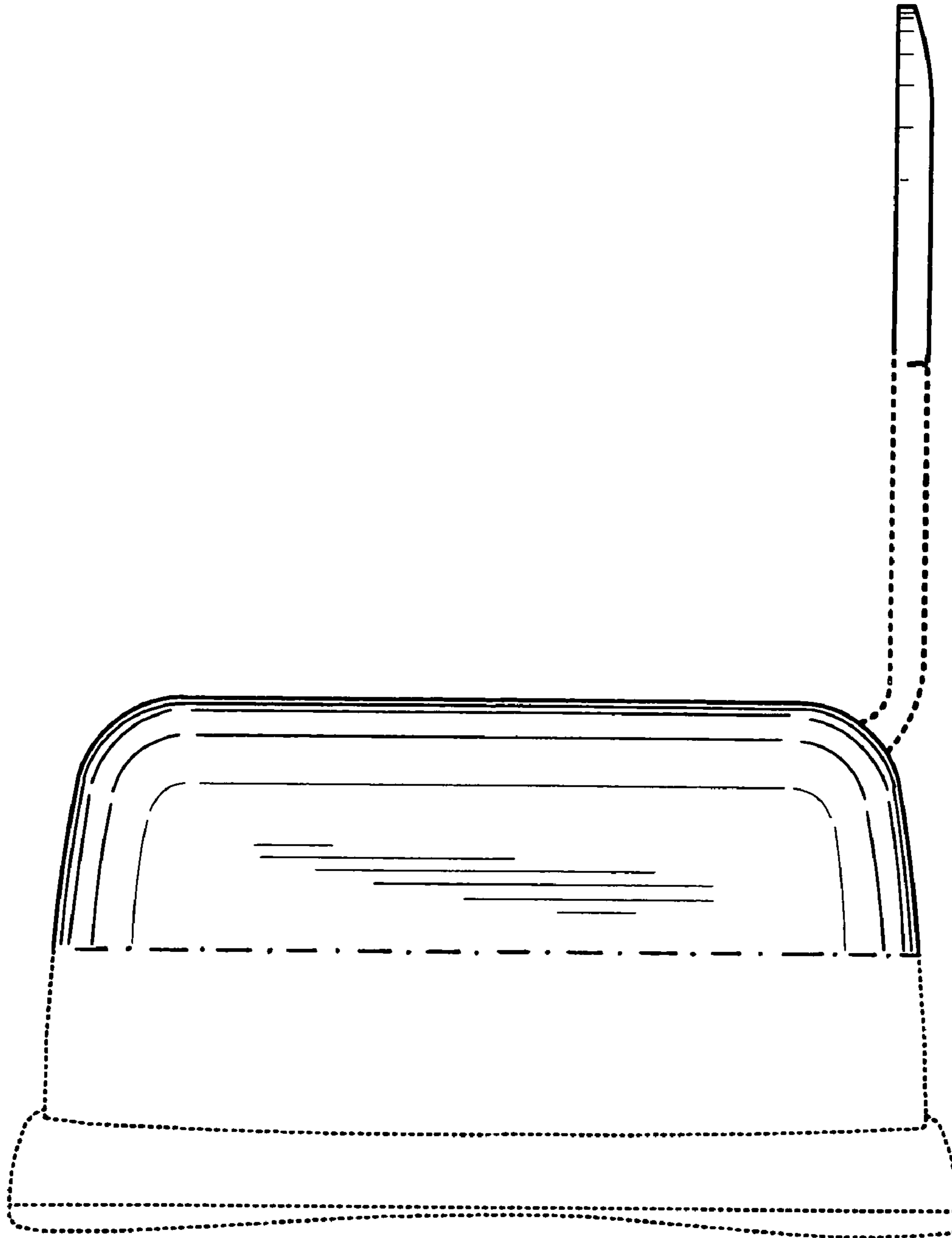
*Fig. 2*



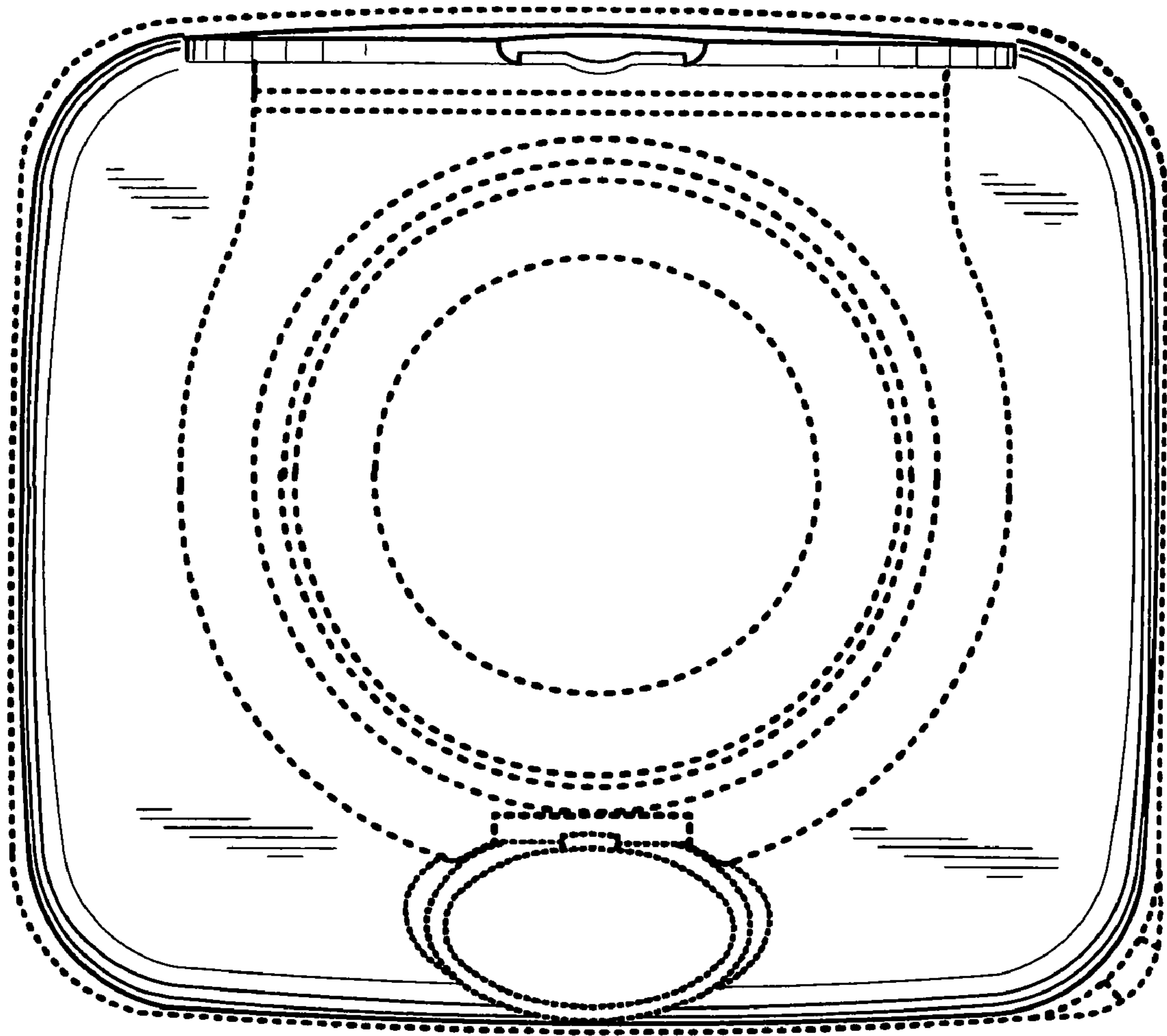
*Fig. 3*



*Fig. 4*



*Fig. 5*



*Fig. 6*