



US00D564901S

(12) **United States Design Patent**
Chin et al.

(10) **Patent No.:** **US D564,901 S**
(45) **Date of Patent:** **** Mar. 25, 2008**

(54) **BOX FOR COSMETICS**

D454,015 S * 3/2002 Okin et al. D9/734
D495,545 S * 9/2004 Niehues D6/518
D495,910 S * 9/2004 Zaidman D6/518

(75) Inventors: **Henry Young Chin**, Portland, OR
(US); **Niklas Gustavsson**, Portland, OR
(US); **Michael Remus**, Heidelberg
(DE); **Martin Zethoff**, Kelkheim (DE)

(73) Assignee: **The Procter & Gamble Company**,
Cincinnati, OH (US)

* cited by examiner

(**) Term: **14 Years**

Primary Examiner—Stella M. Reid
Assistant Examiner—Shanda C. Hill

(21) Appl. No.: **29/288,439**

(74) *Attorney, Agent, or Firm*—Sarah Ann Dressel; Richard
L. Alexander; Matthew P. Fitzpatrick

(22) Filed: **Jun. 11, 2007**

(57) **CLAIM**

Related U.S. Application Data

The ornamental design for a box for cosmetics, as shown
and described.

(63) Continuation of application No. 29/242,799, filed on
Nov. 15, 2005, now Pat. No. Des. 548,614, which is
a continuation of application No. 29/219,954, filed on
Dec. 22, 2004, now Pat. No. Des. 516,437.

DESCRIPTION

(30) **Foreign Application Priority Data**

Jun. 23, 2004 (EM) 000193131

FIG. 1 is a perspective view showing our design;

(51) **LOC (8) Cl.** **09-01**

FIG. 2 is a front elevation view thereof;

(52) **U.S. Cl.** **D9/734**

FIG. 3 is a rear elevation view thereof;

(58) **Field of Classification Search** D9/730,

FIG. 4 is a left side elevation view thereof;

D9/734, 736, 414, 420–425, 430, 432, 512,
D9/515, 518, 523; D3/903; 206/384, 494;
221/33, 45, 63, 282, 244; 222/92, 99, 101,
222/526, 528, 532, 541.1, 542, 564

FIG. 5 is right side elevation view thereof; and,

See application file for complete search history.

FIG. 6 is top plan view thereof.

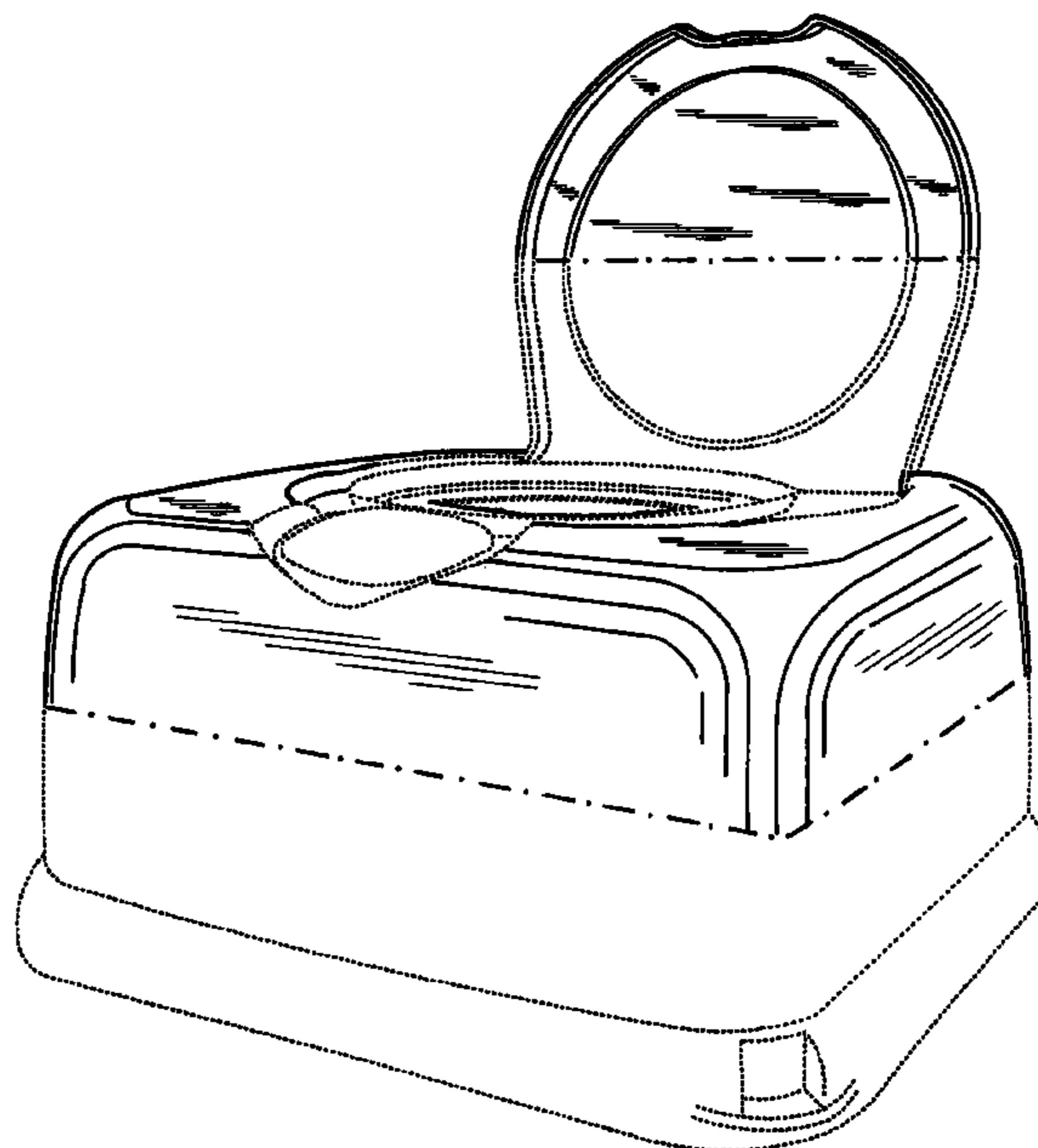
The broken lines shown in the drawing disclosure are for
illustrative purposes only and form no part of the claimed
design. The broken lines(s) which define the bounds of the
claimed design form no part of the claimed design.

(56) **References Cited**

U.S. PATENT DOCUMENTS

D446,449 S * 8/2001 Conway D9/420

1 Claim, 6 Drawing Sheets



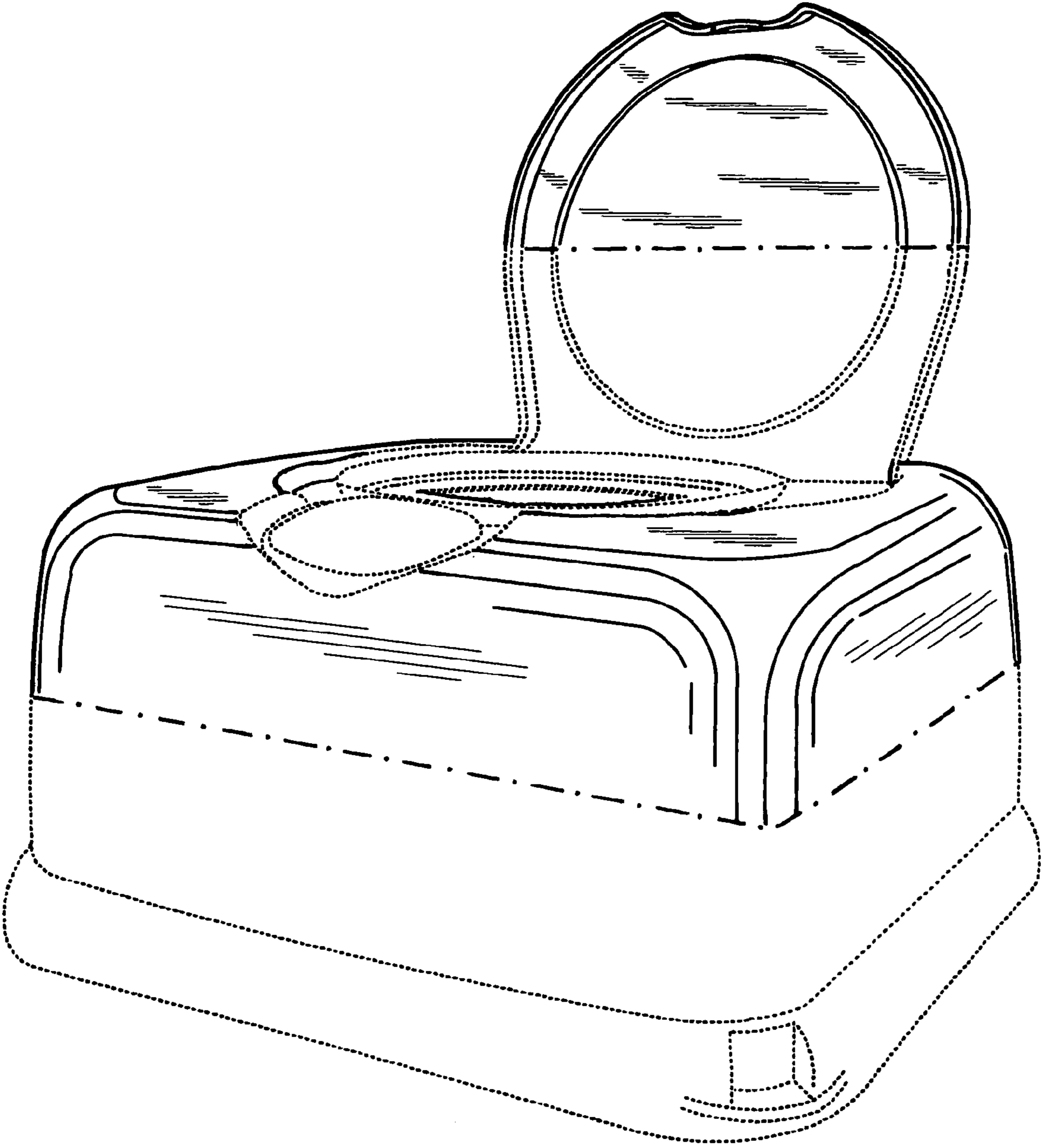


Fig. 1

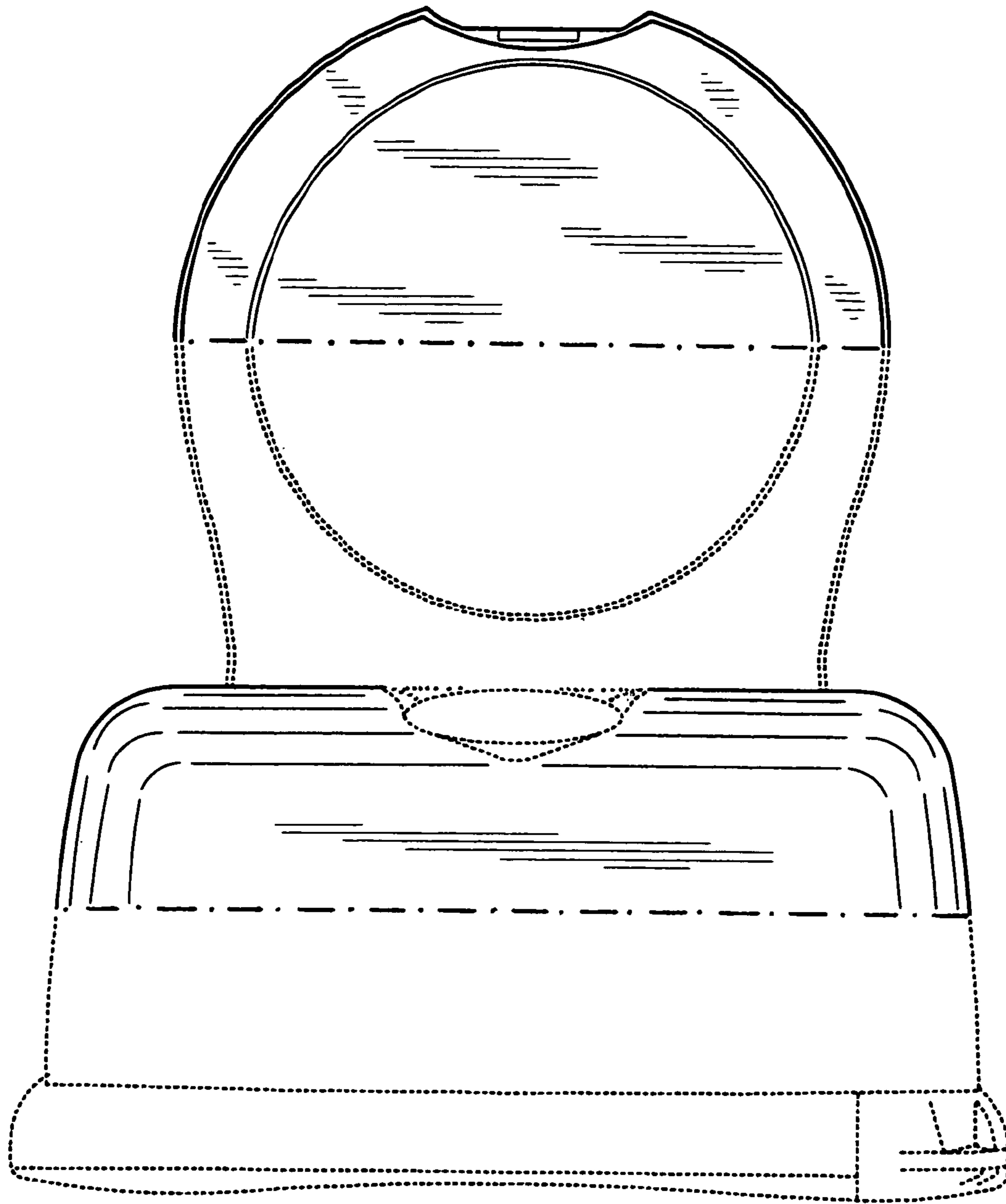


Fig. 2

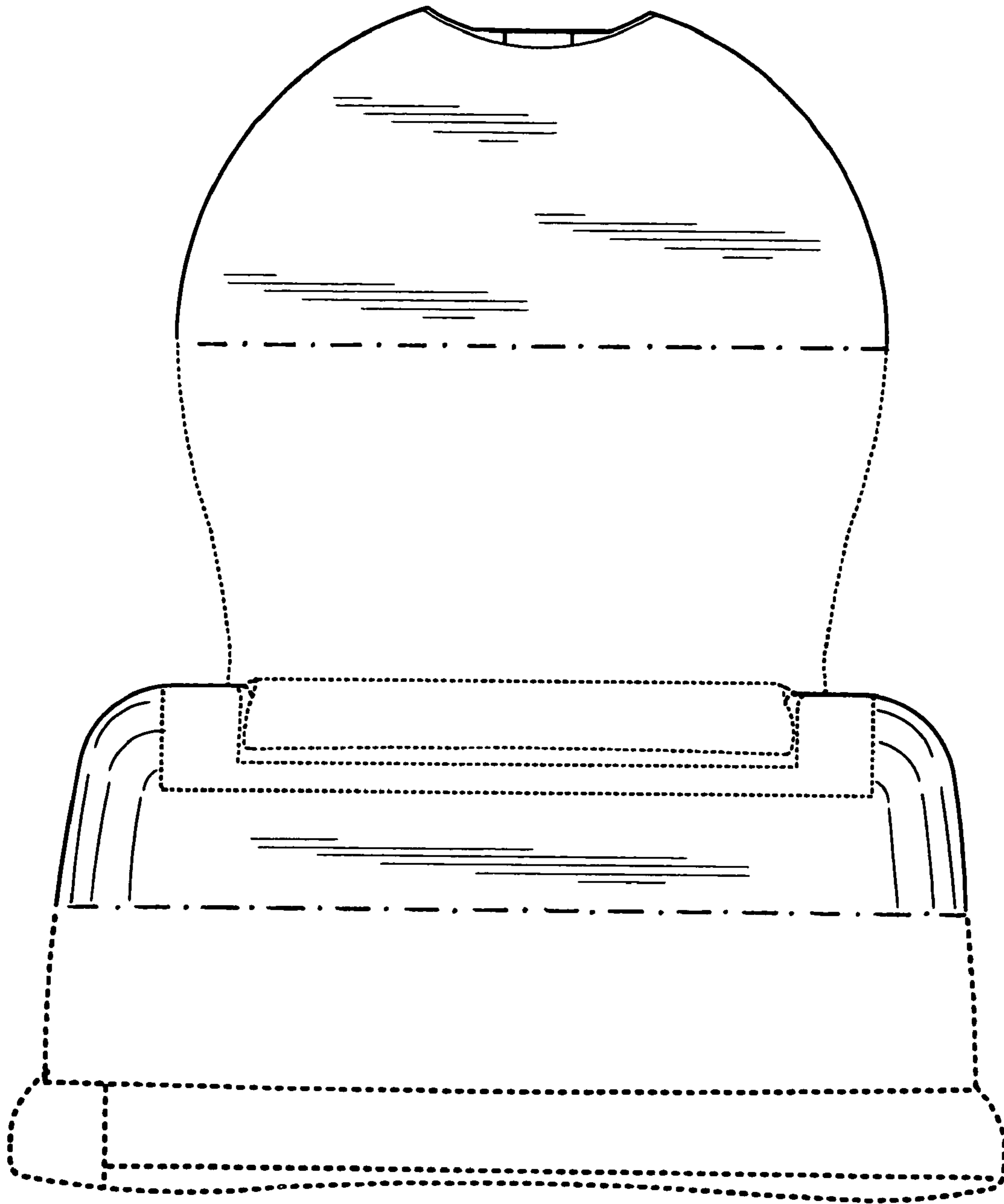


Fig. 3

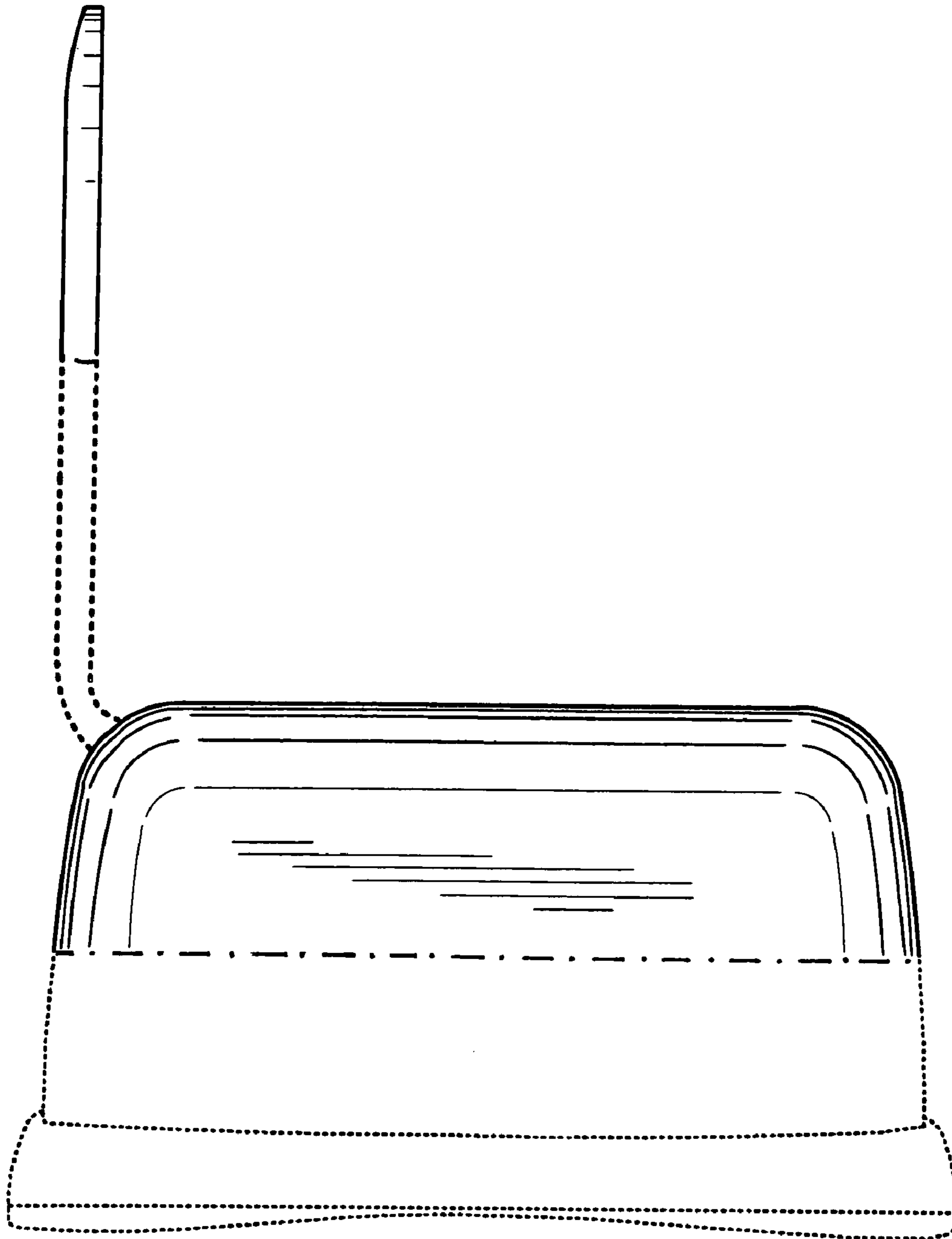


Fig. 4

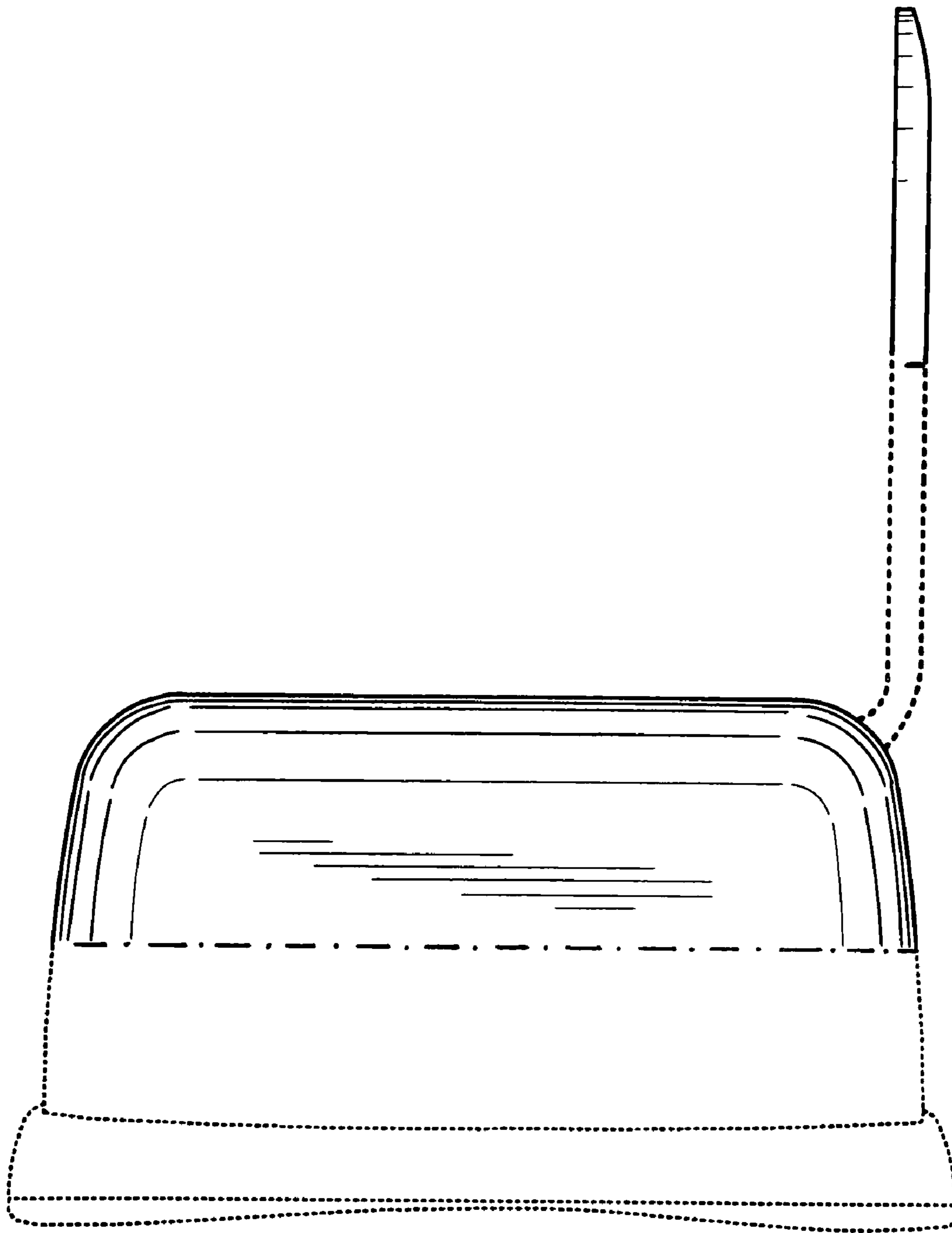


Fig. 5

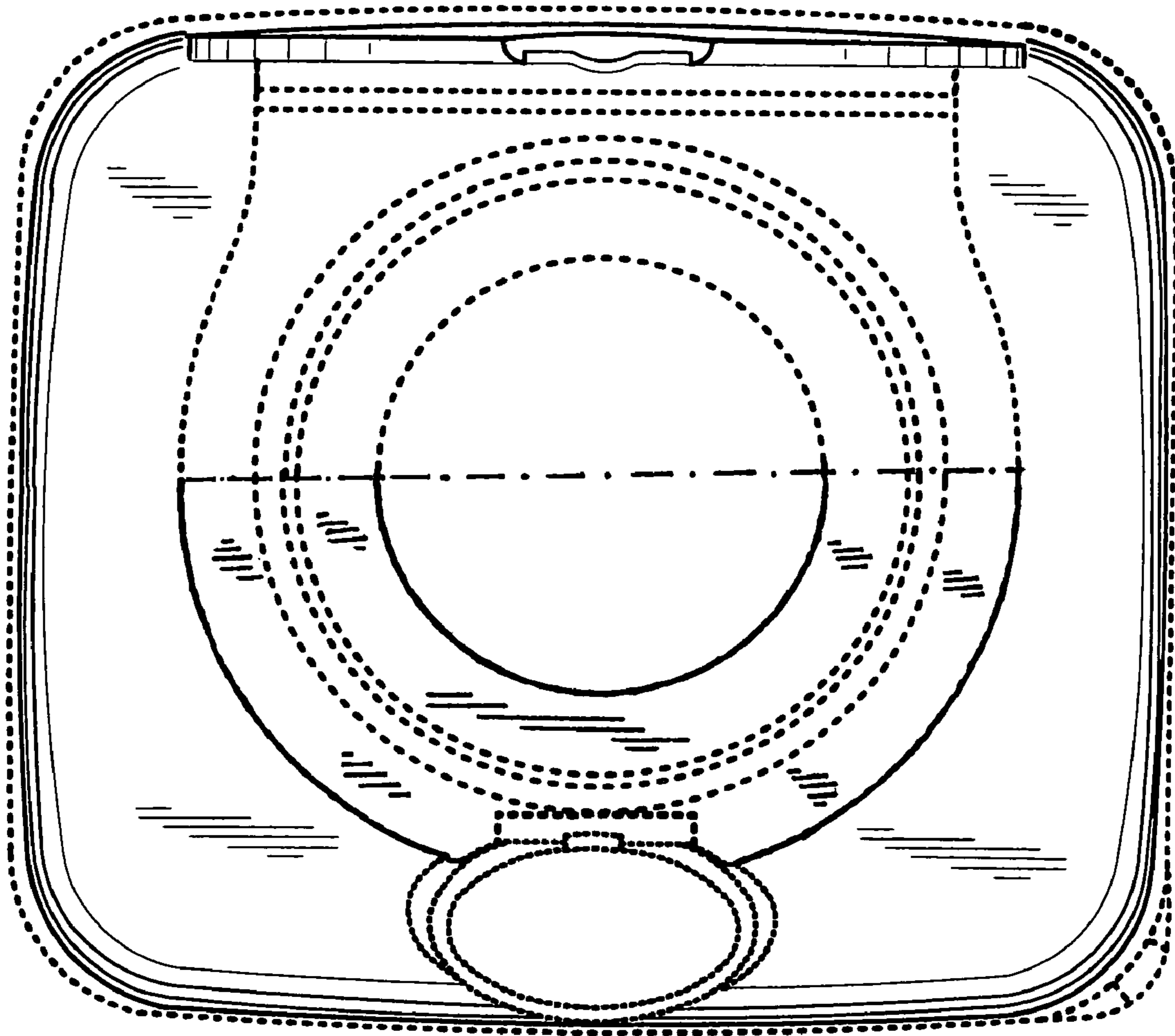


Fig. 6