

US00D564896S

(12) **United States Design Patent**  
**Trollope et al.**

(10) **Patent No.:** **US D564,896 S**  
(45) **Date of Patent:** **\*\* Mar. 25, 2008**

(54) **BOTTLE**  
(75) Inventors: **James D. Trollope**, Frisco, TX (US);  
**Blair C. Dugger**, Frisco, TX (US);  
**Kendall L. Yorn**, Allen, TX (US); **Alan**  
**Flude**, London (GB)  
(73) Assignee: **Dr Pepper/Seven Up, Inc.**, Plano, TX  
(US)  
(\*\*) Term: **14 Years**  
(21) Appl. No.: **29/249,393**  
(22) Filed: **Oct. 4, 2006**

D385,796 S 11/1997 Richardson  
D386,088 S 11/1997 Satoh  
D387,284 S 12/1997 Briggs et al.  
D393,207 S 4/1998 Farlander et al.  
5,735,421 A 4/1998 Deemer et al.  
5,785,197 A 7/1998 Slat  
D398,855 S 9/1998 Ito  
D399,424 S \* 10/1998 Young ..... D9/500  
D401,860 S 12/1998 Mentasti Granelli  
D404,310 S 1/1999 Martin  
D406,065 S 2/1999 Cheng  
5,906,286 A 5/1999 Matsuno et al.  
5,927,533 A 7/1999 Payne et al.  
D412,441 S 8/1999 Cheng et al.  
D412,845 S 8/1999 Miller et al.

(51) **LOC (8) Cl.** ..... **09-01**  
(52) **U.S. Cl.** ..... **D9/652; D9/516**  
(58) **Field of Classification Search** ..... D9/600,  
D9/652, 667, 500-503, 516, 519-520, 537-543,  
D9/549-558; 206/457-458; 215/375, 400,  
215/379-383; 220/890  
See application file for complete search history.

(Continued)

**OTHER PUBLICATIONS**

Beverage World, Jan. 2004. p. 35, Dr. Pepper can.\*  
*Primary Examiner*—Sandra L. Morris  
(74) *Attorney, Agent, or Firm*—Cox Smith Matthews  
Incorporated

(56) **References Cited**

**U.S. PATENT DOCUMENTS**

D101,483 S 10/1936 Mott  
D111,212 S 9/1938 Meyer  
D115,155 S 6/1939 D'Addario  
D217,230 S 4/1970 Kissig  
D218,019 S 7/1970 Lattraye  
D305,984 S 2/1990 Alberghini et al.  
D308,484 S 6/1990 Browton  
D318,799 S \* 8/1991 York ..... D9/500  
D329,170 S 9/1992 Hoffer  
5,320,230 A 6/1994 Hsiung  
D354,000 S 1/1995 Hoyt  
5,398,828 A 3/1995 Valyi  
D357,189 S 4/1995 Daucourt  
D358,547 S 5/1995 Darr  
5,593,056 A 1/1997 Mero et al.  
D379,153 S 5/1997 Richardson  
D379,154 S 5/1997 Cox  
D381,272 S 7/1997 Coons  
D383,677 S 9/1997 Darr

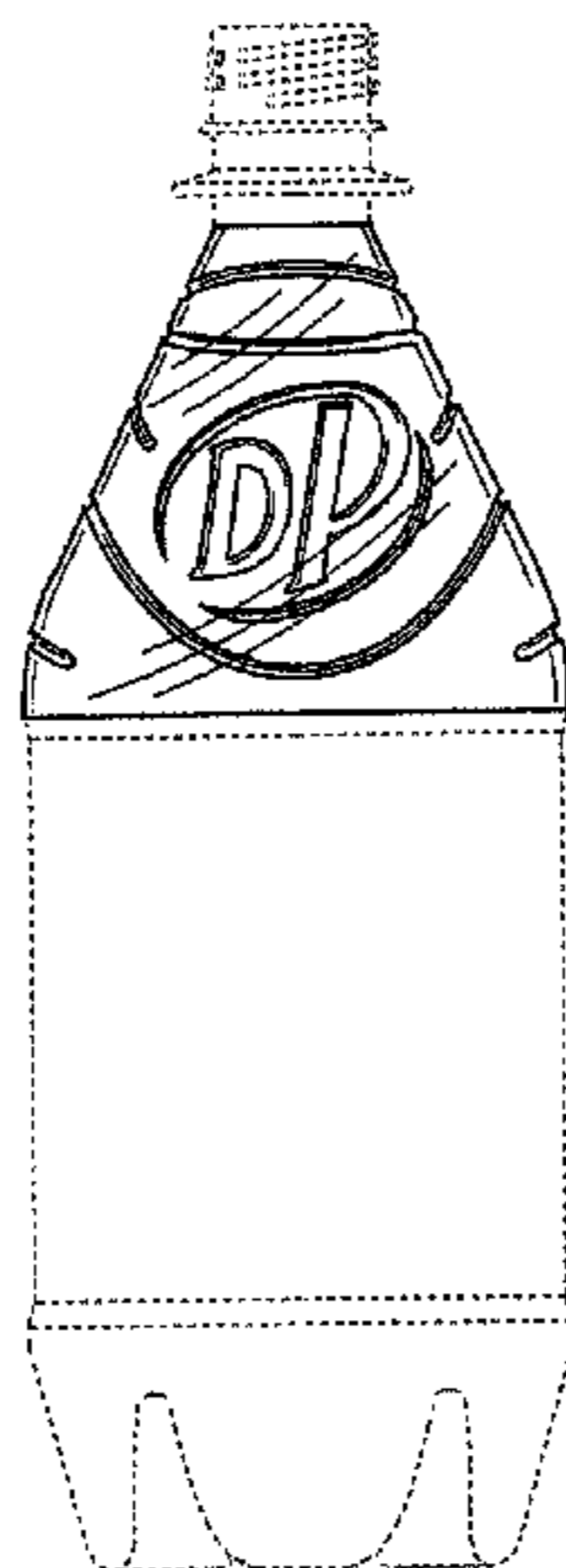
(57) **CLAIM**

The ornamental design for a bottle, as shown and described.

**DESCRIPTION**

FIG. 1 is a top plan view of a bottle showing our new design;  
FIG. 2 is a front elevational view thereof;  
FIG. 3 is a right side elevational view thereof;  
FIG. 4 is a rear elevational view thereof; and,  
FIG. 5 is a left side elevational view thereof.  
The oblique shade lines shown in the drawings represent that  
the bottle is transparent.  
The broken lines showing environment are for illustrative  
purposes only and form no part of the claimed design.

**1 Claim, 2 Drawing Sheets**



# US D564,896 S

Page 2

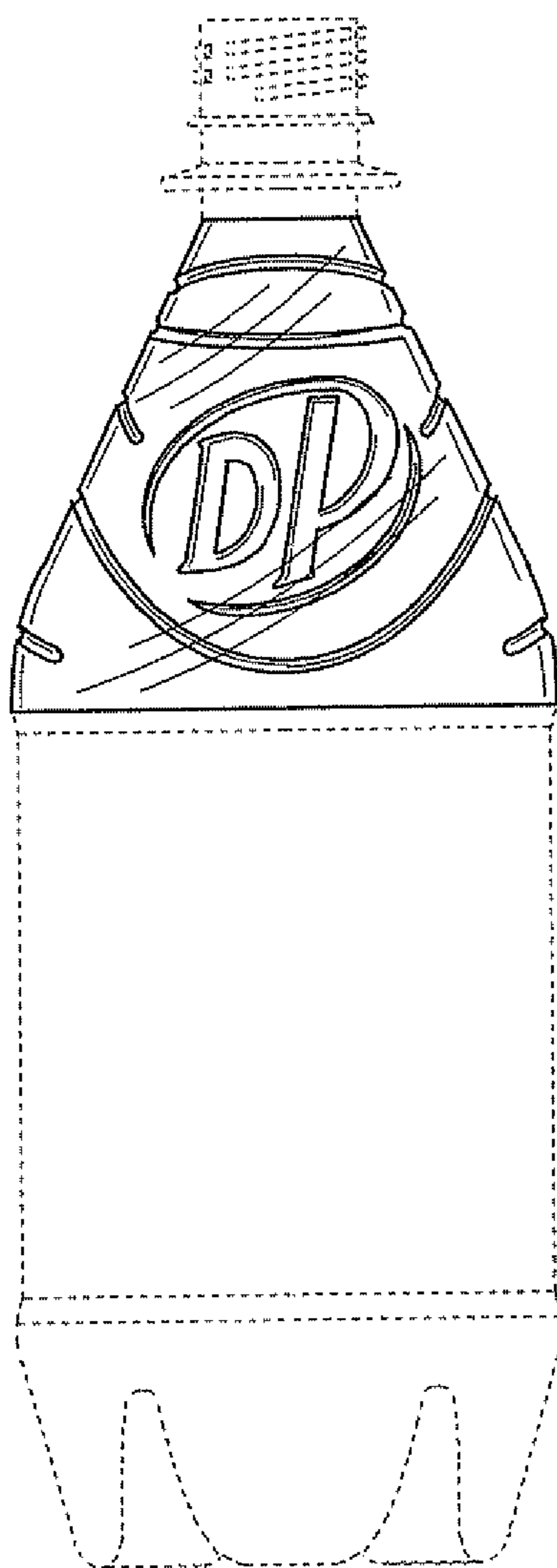
## U.S. PATENT DOCUMENTS

D413,068 S	8/1999	Thouin et al.	D458,849 S	6/2002	Burleson et al.
D415,681 S	10/1999	Yourist	6,398,052 B1	6/2002	Cheng et al.
5,988,417 A	11/1999	Cheng et al.	D462,013 S	8/2002	Iizuka et al.
D420,594 S	2/2000	Weinstein et al.	D466,023 S	11/2002	Eickmeier
D423,939 S	5/2000	Ogg	D466,415 S	12/2002	Reis
D425,431 S	5/2000	Omidian	D468,208 S	1/2003	Yan et al.
6,062,409 A	5/2000	Eberle	D474,977 S	5/2003	Yourist et al.
D426,460 S	6/2000	Krishnakumar et al.	D487,564 S	3/2004	Beck et al.
D427,071 S	6/2000	Williams et al.	D492,201 S	6/2004	Pritchett et al.
D429,166 S	8/2000	Ogg	6,763,969 B1	7/2004	Melrose et al.
D430,036 S	8/2000	Steward et al.	D496,280 S	9/2004	Mero et al.
D431,780 S	10/2000	DeSwarte et al.	D497,312 S	10/2004	Anderson et al.
D432,018 S	10/2000	Steward	6,827,228 B2	12/2004	Headen et al.
D432,019 S	10/2000	Steward	D501,400 S *	2/2005	Bretz et al. .... D9/667
D432,020 S	10/2000	Steward et al.	D503,341 S	3/2005	Delmotte
D433,322 S *	11/2000	Krishnakumar et al. .... D9/667	D506,931 S	7/2005	Delmotte
6,149,024 A	11/2000	Deemer et al.	D507,746 S	7/2005	Sasaki et al.
D435,219 S	12/2000	Williams et al.	D509,436 S	9/2005	Mero et al.
D443,519 S	6/2001	Warner et al.	D509,740 S	9/2005	Collins et al.
D443,826 S	6/2001	Gnann et al.	D509,741 S	9/2005	Collins et al.
D447,061 S	8/2001	Peek	D509,746 S	9/2005	Mero et al.
D449,538 S	10/2001	Burleson et al.	D510,025 S	9/2005	Venkataraman et al.
D450,250 S	11/2001	Burleson et al.	D510,271 S	10/2005	Mero et al.
6,347,717 B1	2/2002	Eberle	D515,933 S	2/2006	Mero et al.
D455,964 S	4/2002	Patterson	D526,903 S	8/2006	Duranthon
D457,056 S	5/2002	Ranchetti	2006/0283832 A1	12/2006	De Cleir et al.
D458,543 S	6/2002	Burleson et al.			

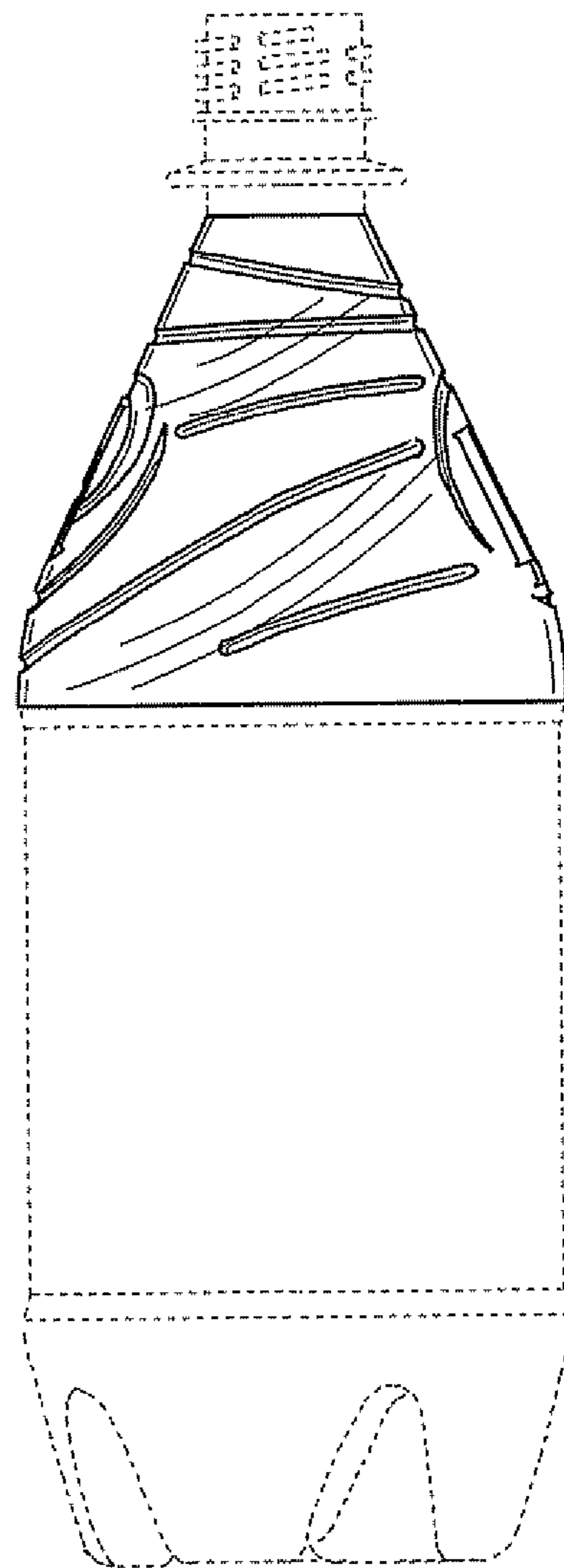
\* cited by examiner



*Fig. 1*



*Fig. 2*



*Fig. 3*

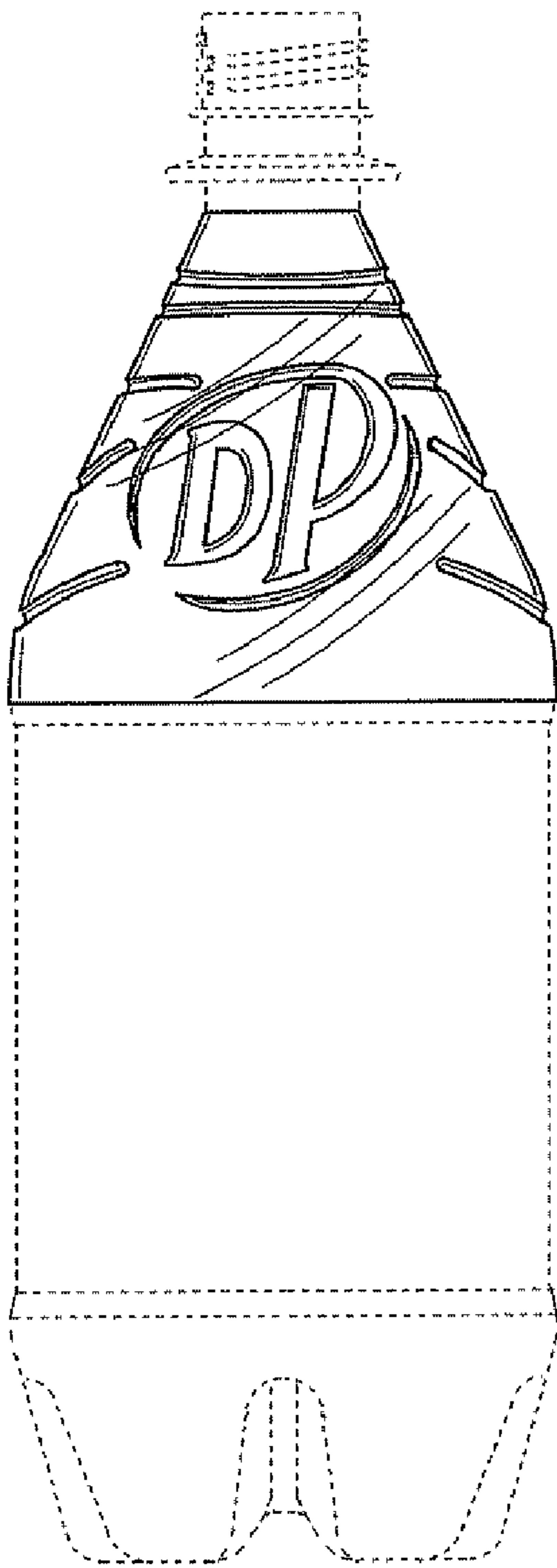


Fig. 4

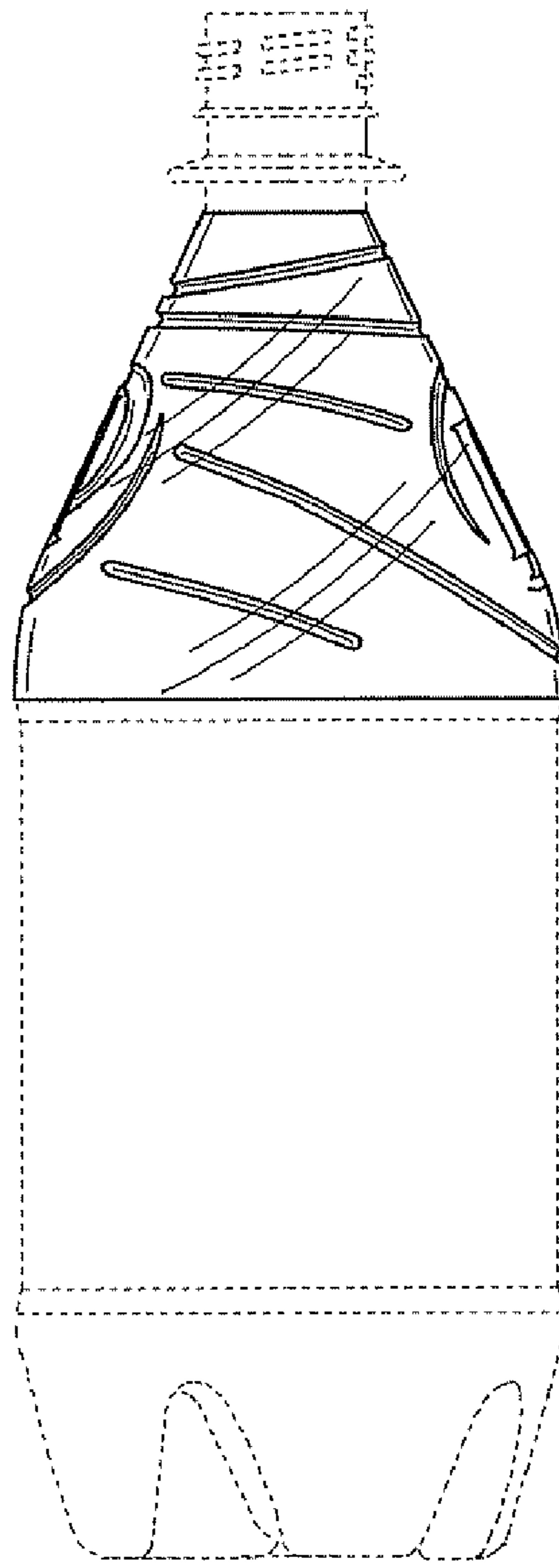


Fig. 5