



US00D564886S

(12) **United States Design Patent**
Ghalebi

(10) **Patent No.:** **US D564,886 S**

(45) **Date of Patent:** **** Mar. 25, 2008**

(54) **CONTAINER**

(76) **Inventor:** **Mehrtosh Ghalebi**, 33 Calle Maria,
Rancho Santa Margarita, CA (US)
92688

(**) **Term:** **14 Years**

(21) **Appl. No.:** **29/291,363**

(22) **Filed:** **Aug. 24, 2007**

Related U.S. Application Data

(62) Division of application No. 29/253,912, filed on Feb.
14, 2006, now Pat. No. Des. 554,509.

(51) **LOC (8) Cl.** **09-01**

(52) **U.S. Cl.** **D9/523; D9/520; D9/560;**
D9/575

(58) **Field of Classification Search** **D9/682-694,**
D9/516, 520, 523-528, 530, 543, 560, 563-564,
D9/570-575, 430-432; 215/381-385, 396,
215/398, 400

See application file for complete search history.

(56) **References Cited**

U.S. PATENT DOCUMENTS

2,067,998	A *	1/1937	Williamson	229/116.1
D387,669	S *	12/1997	Beaver	D9/523
D391,847	S *	3/1998	Seo et al.	D9/417
D395,603	S *	6/1998	Harris	D9/523 X
5,915,578	A *	6/1999	Burt	215/250
5,938,107	A *	8/1999	Anchor et al.	229/109
5,988,460	A *	11/1999	Brecheisen et al.	222/572

6,027,016	A *	2/2000	Ljungstrom et al.	229/109
D424,429	S *	5/2000	Anchor et al.	D9/417
6,070,753	A *	6/2000	Hirst et al.	220/674
D439,519	S *	3/2001	Ruble et al.	D9/523
D454,308	S *	3/2002	Scheidt	D9/523
D473,464	S *	4/2003	Anchor et al.	D9/432
D480,966	S *	10/2003	Iwano	D9/432
D494,861	S *	8/2004	Guidotti et al.	D9/431
D518,371	S *	4/2006	Franic	D9/431

* cited by examiner

Primary Examiner—Carol Rademaker

(74) *Attorney, Agent, or Firm*—Stetina Brunda Garred &
Brucker

(57) **CLAIM**

The ornamental design for a container, as shown and
described.

DESCRIPTION

FIG. 1 is a top, front, and left side perspective view of a
container showing the new design;

FIG. 2 is a front elevational view thereof;

FIG. 3 is a right side elevational view thereof;

FIG. 4 is a left side elevational view thereof;

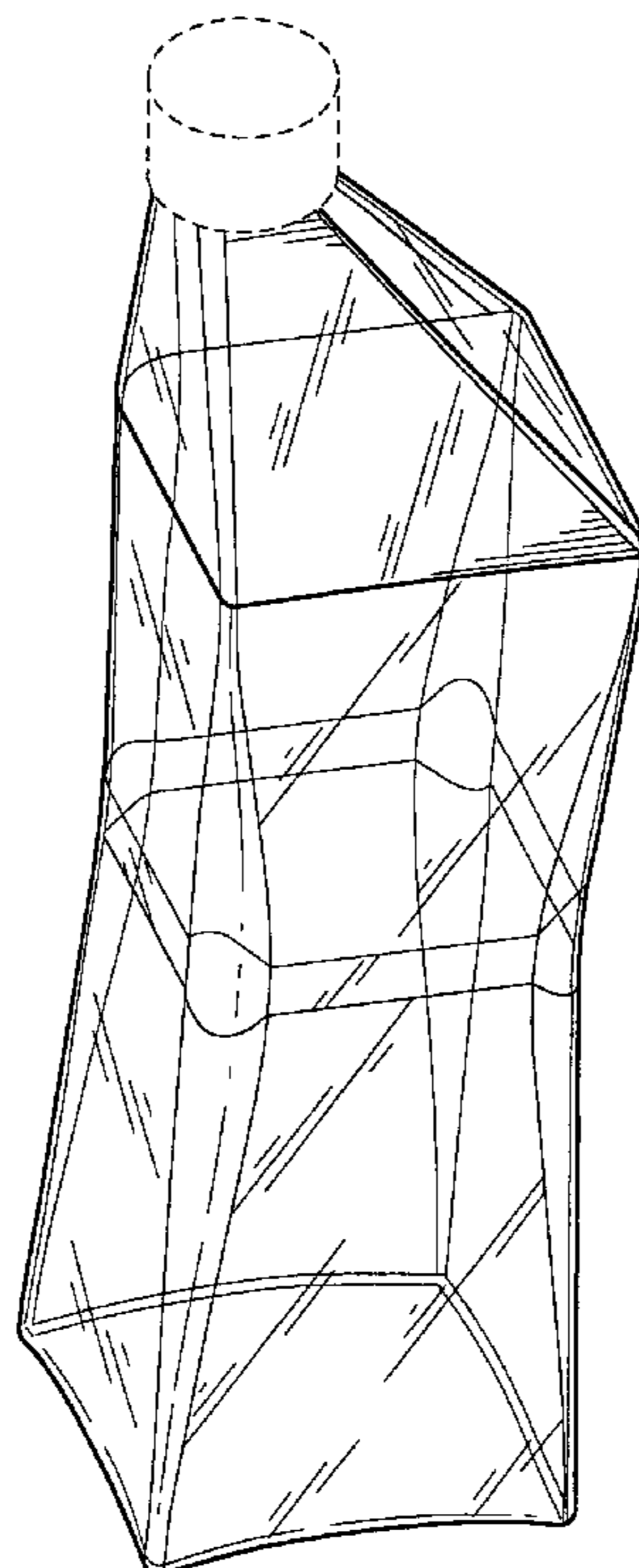
FIG. 5 is a back elevational view thereof; and

FIG. 6 is a top plan view thereof; and,

FIG. 7 is a bottom plan view thereof.

The broken lines shown in the drawings are for illustrative
purposes only and form no part of the claimed design.

1 Claim, 4 Drawing Sheets



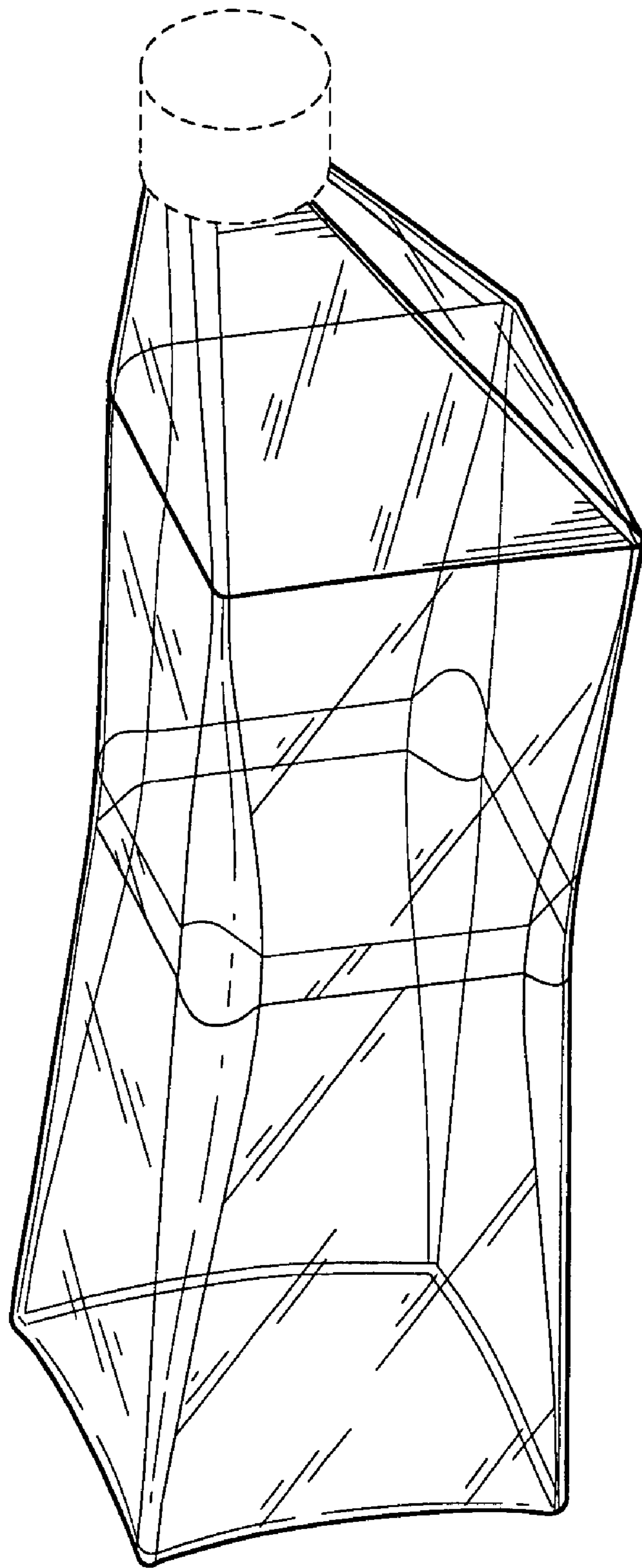


FIG. 1

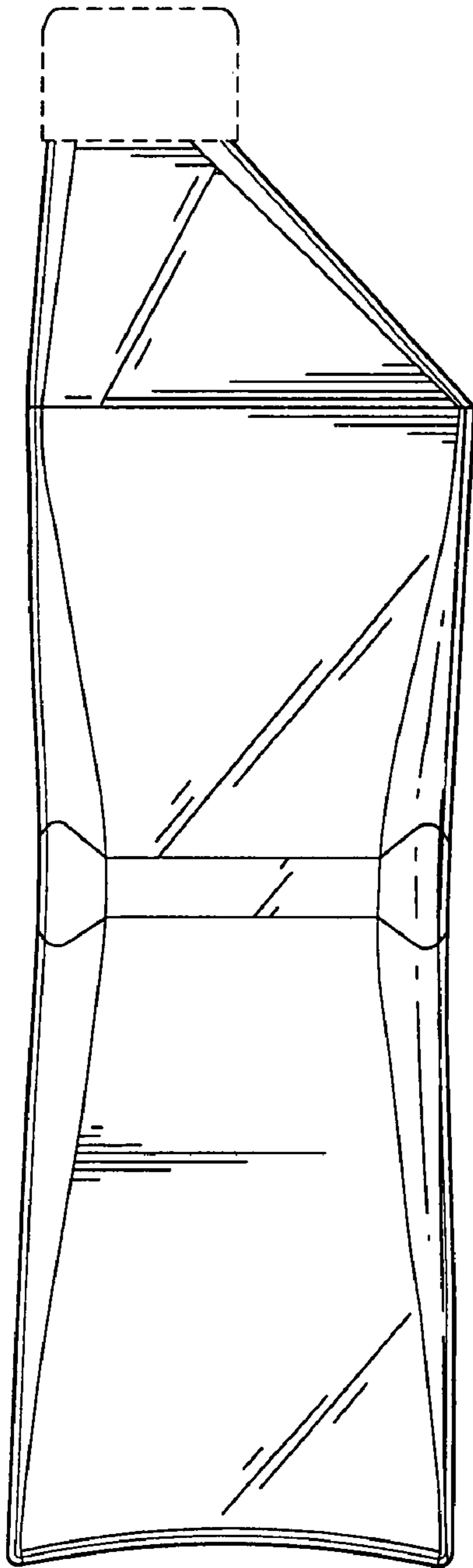


FIG. 2

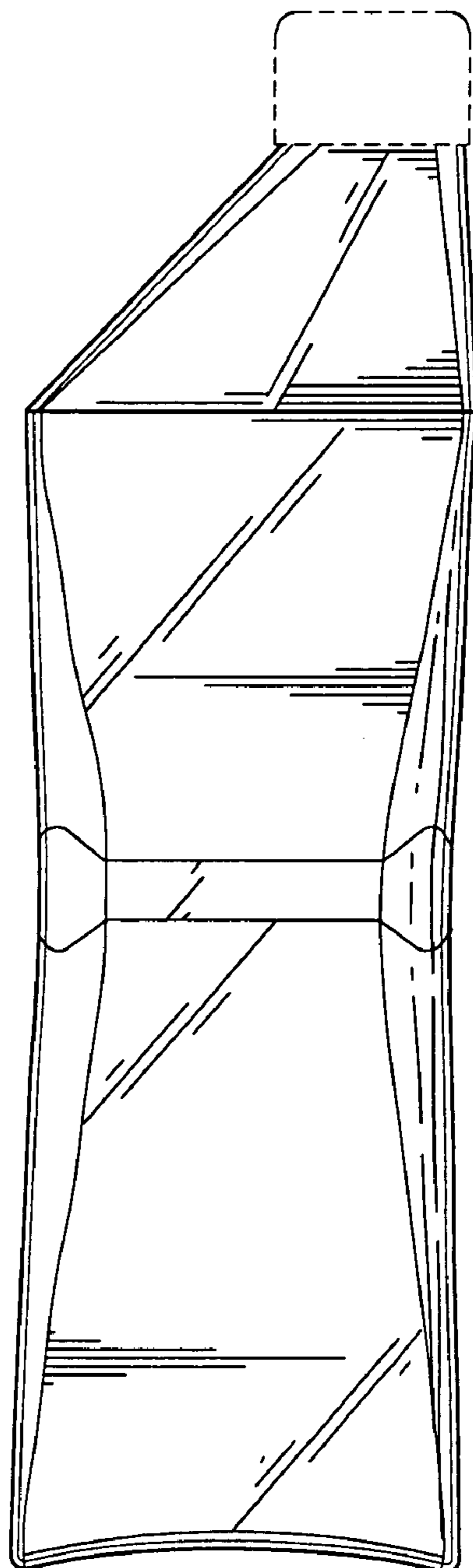


FIG. 3

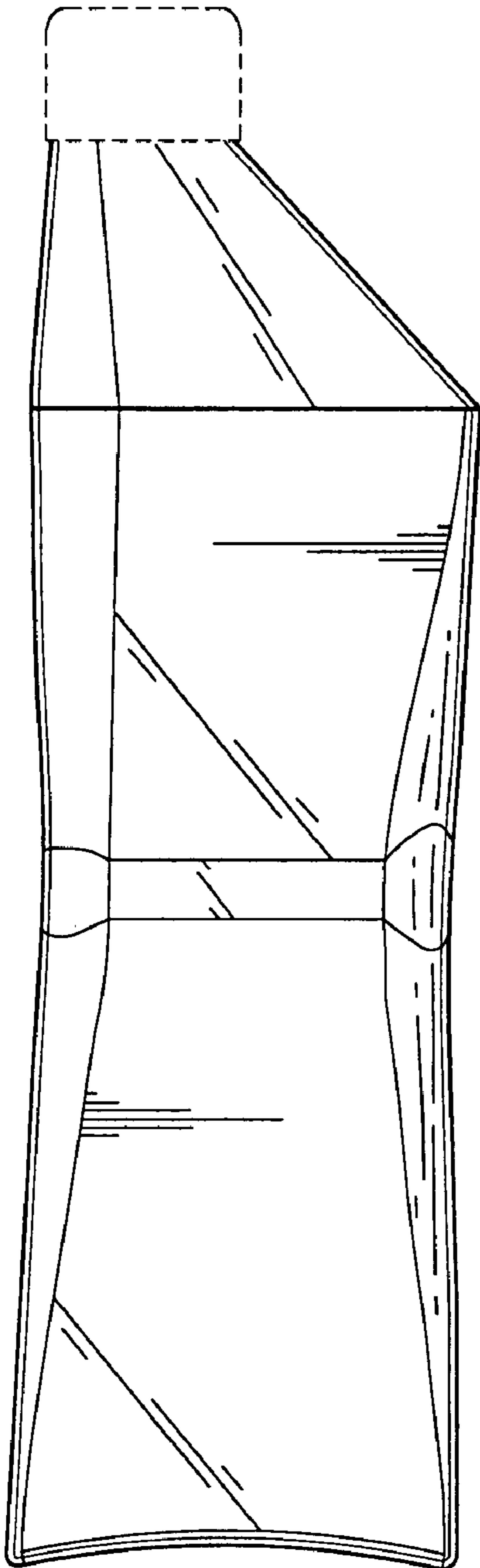


FIG. 4

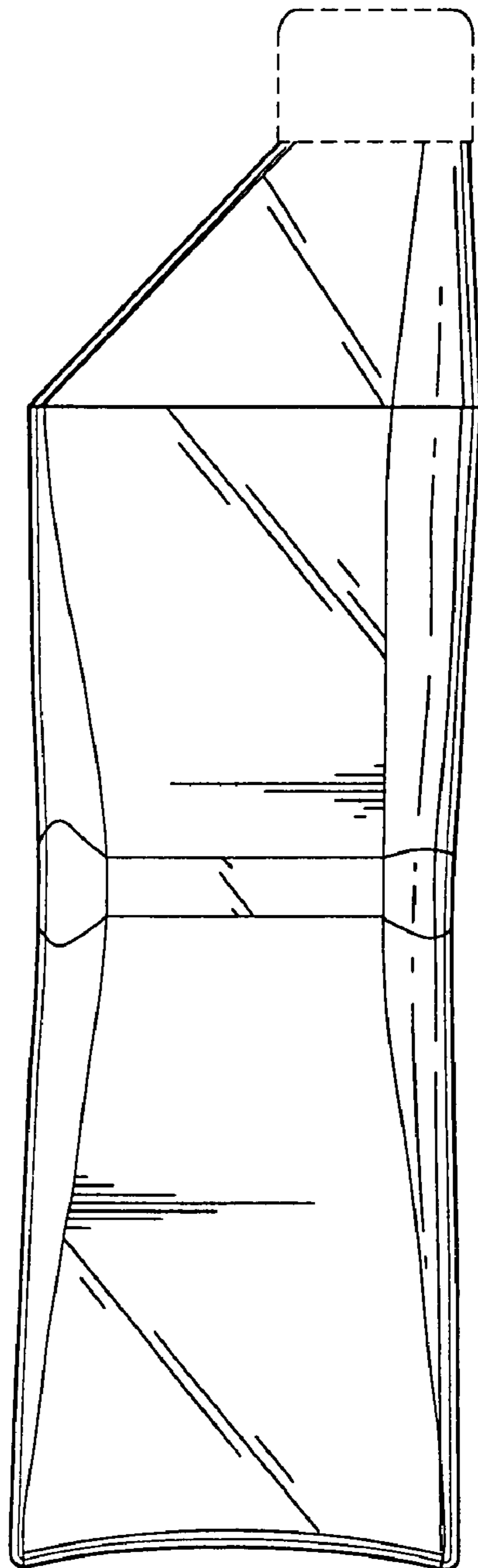


FIG. 5

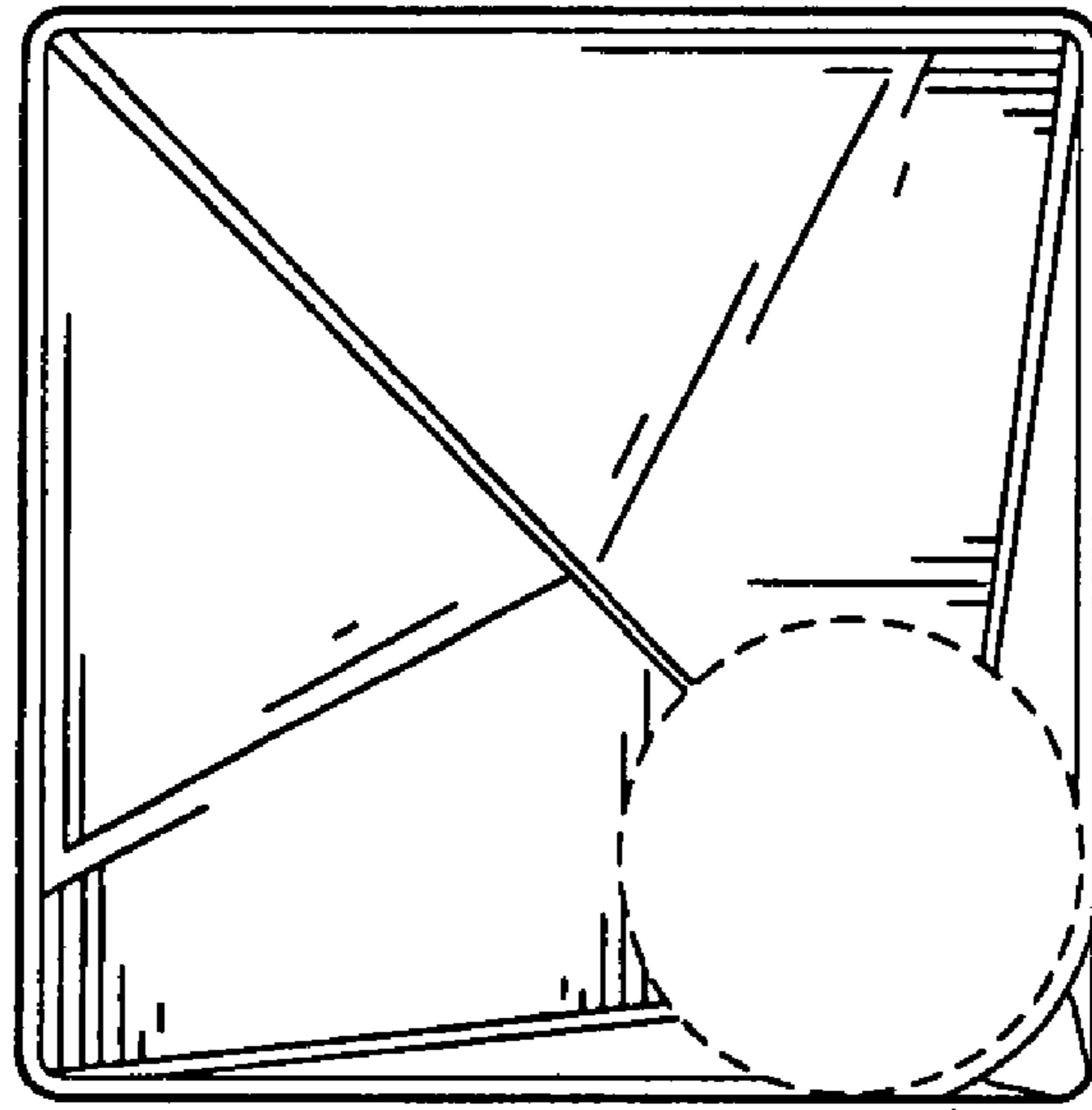


FIG. 6

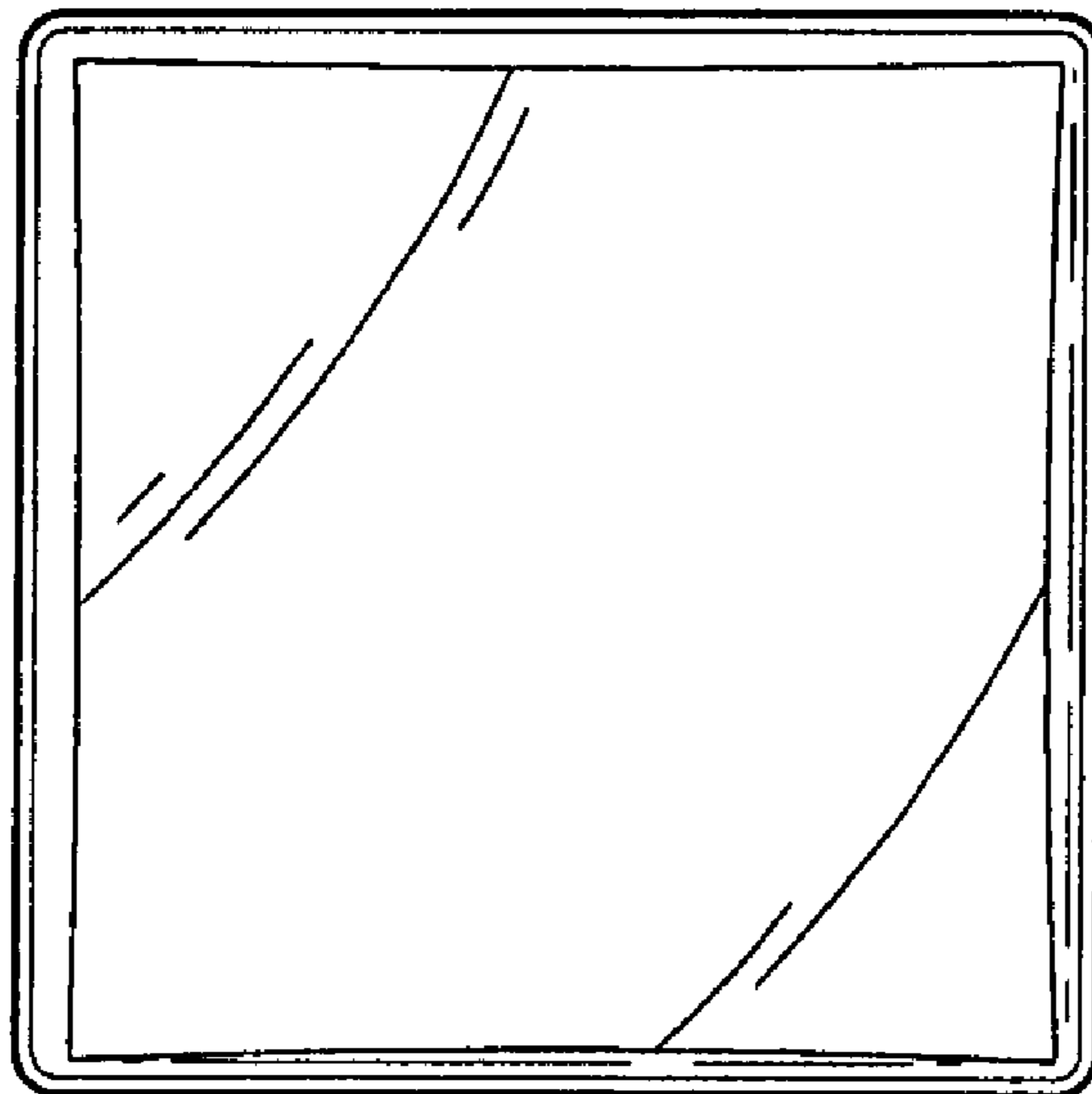


FIG. 7