

US00D564885S

(12) **United States Design Patent**
Rittman

(10) **Patent No.:** **US D564,885 S**

(45) **Date of Patent:** **** Mar. 25, 2008**

(54) **BOTTLE**

(75) Inventor: **Gerd Rittman**, Karlsruhe (DE)

(73) Assignee: **Nobel Biocare Services AG**,
Zurich-Flughaven (CH)

(**) Term: **14 Years**

(21) Appl. No.: **29/277,373**

(22) Filed: **Feb. 22, 2007**

D362,624 S	9/1995	Vignot	
D372,872 S *	8/1996	Crawford	D9/529
D388,331 S *	12/1997	Haner et al.	D9/571
D413,269 S	8/1999	Hebert	
D443,980 S	6/2001	Stewart	
D467,808 S	12/2002	Hagemann et al.	
D480,975 S *	10/2003	de Baschmakoff	D9/563
D487,702 S	3/2004	Sironi	
D503,621 S	4/2005	Heater	
D506,391 S *	6/2005	Busch et al.	D9/522
D516,433 S *	3/2006	De Aguiar	D9/522
D518,730 S	4/2006	Caserta et al.	

Related U.S. Application Data

(62) Division of application No. 29/207,764, filed on Jun. 17, 2004, now Pat. No. Des. 538,165.

(51) **LOC (8) Cl.** **09-01**

(52) **U.S. Cl.** **D9/522; D9/452**

(58) **Field of Classification Search** D9/434,
D9/452, 516, 521-523, 526, 529, 537, 549,
D9/545, 551-552, 558, 564-565, 571-575,
D9/682, 686-694; 220/660, 669, 675; D3/202
See application file for complete search history.

(56) **References Cited**

U.S. PATENT DOCUMENTS

D51,560 S	12/1917	Reizenstein
D205,736 S	9/1966	Jordan
3,285,450 A	11/1966	Piker
D256,885 S	9/1980	DiScala
D273,563 S	4/1984	Jeans et al.
D284,166 S	6/1986	Buchholz et al.
D285,535 S	9/1986	Buchholz et al.
D314,334 S	2/1991	Desgrippes
D359,453 S	6/1995	Gavin

* cited by examiner

Primary Examiner—Ian Simmons

Assistant Examiner—Anna J. Burmeister

(74) *Attorney, Agent, or Firm*—Knobbe, Martens, Olson & Bear, LLP

(57) **CLAIM**

The ornamental design for a bottle, as shown and described.

DESCRIPTION

FIG. 1 is a top, front, left side perspective of a bottle embodying my new design;

FIG. 2 is a top, rear, left side perspective view thereof;

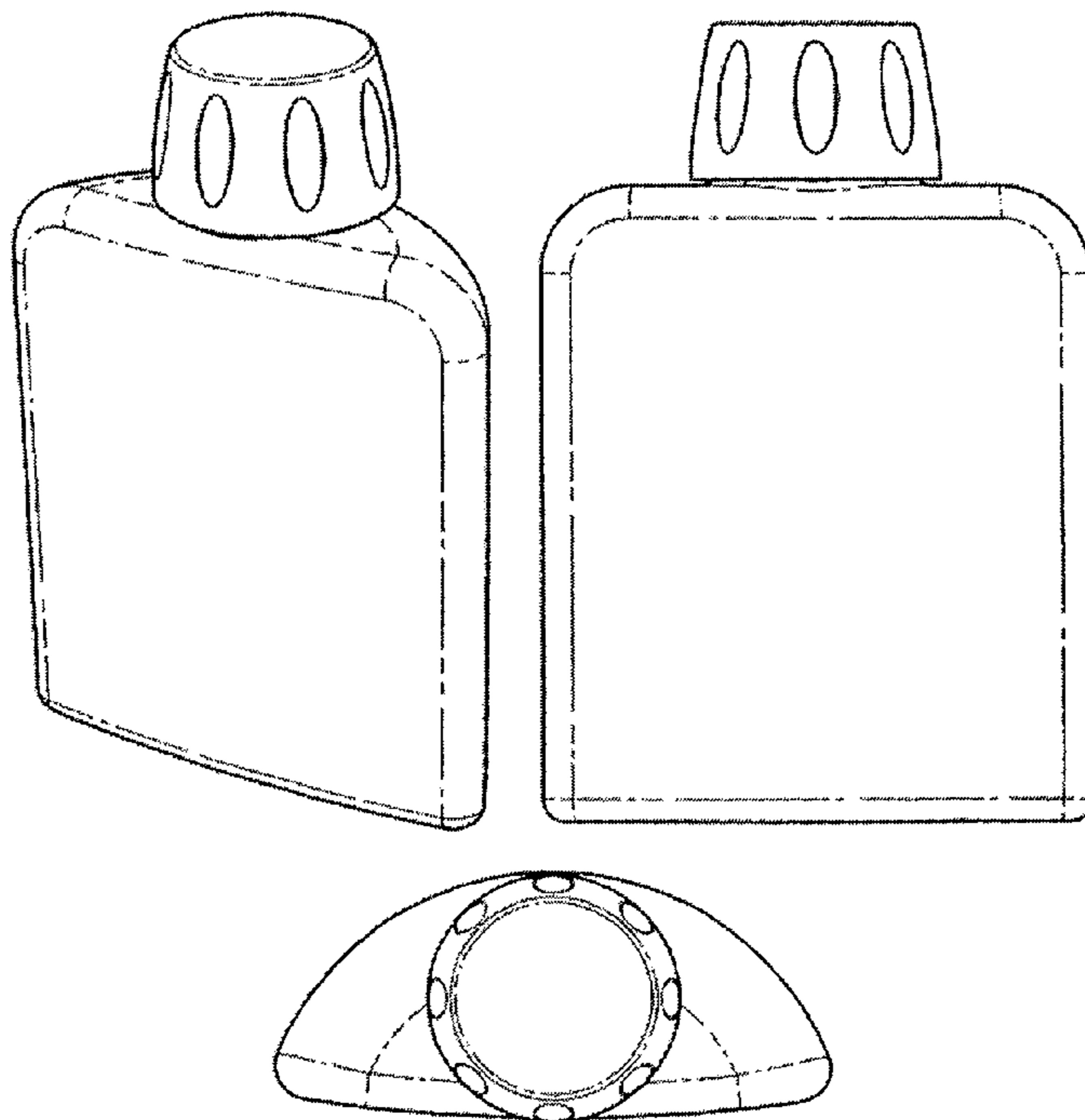
FIG. 3 is a front elevational view thereof;

FIG. 4 is a right side elevation view, the left side elevational view being a mirror image thereof;

FIG. 5 is a top plan view thereof; and,

FIG. 6 is a bottom, front, left side perspective view thereof.

1 Claim, 6 Drawing Sheets



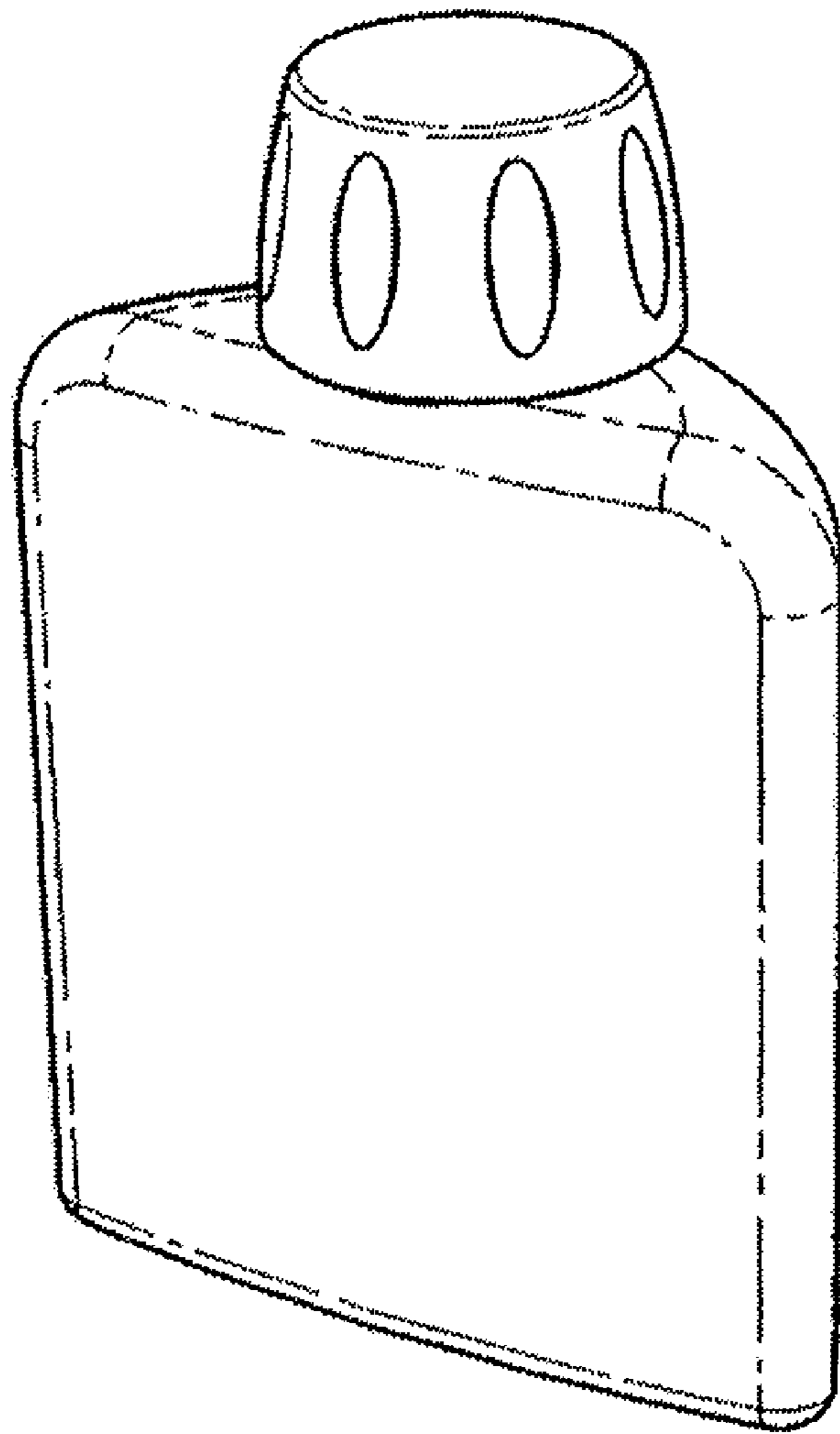


FIG. 1

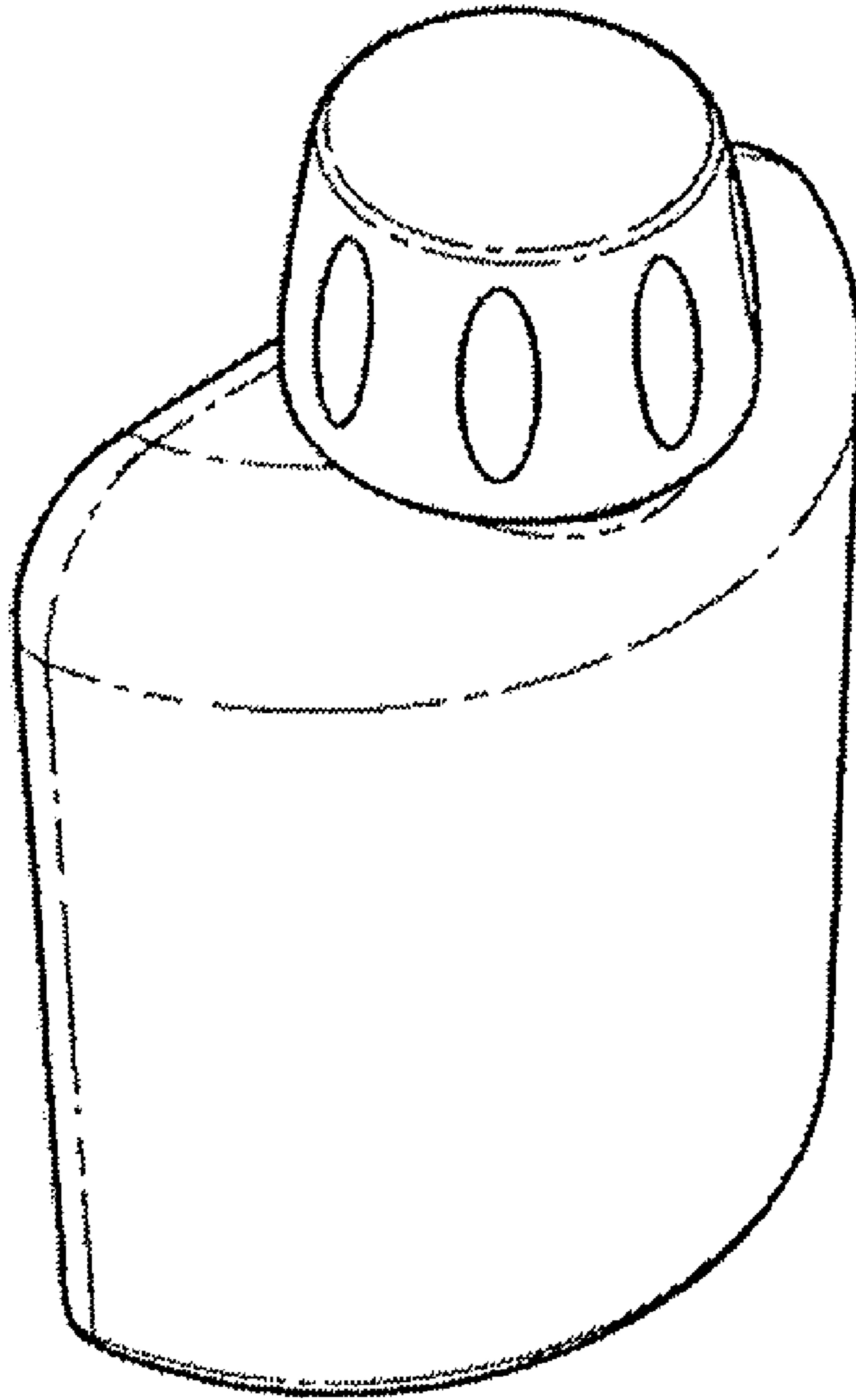


FIG. 2

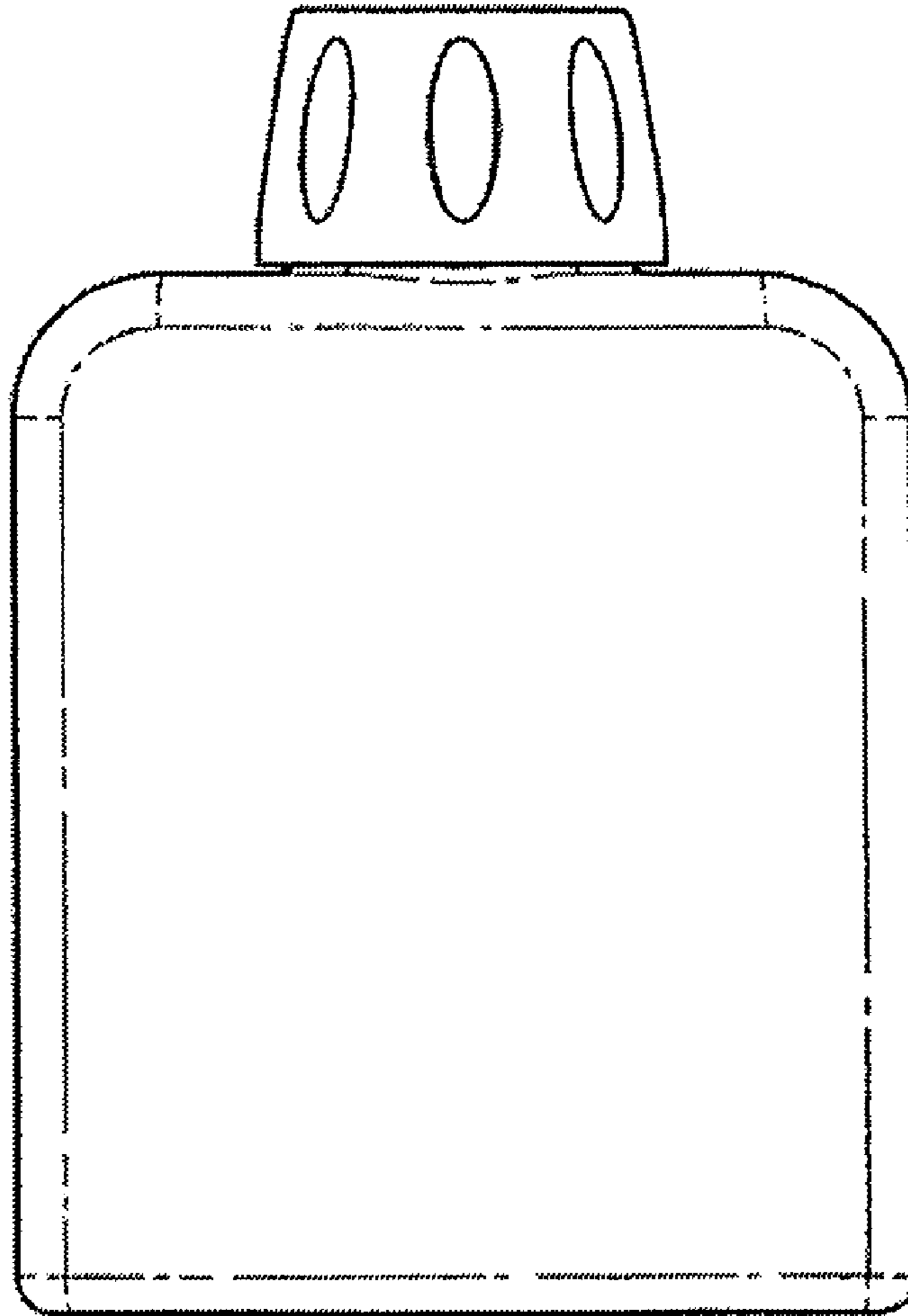


FIG. 3

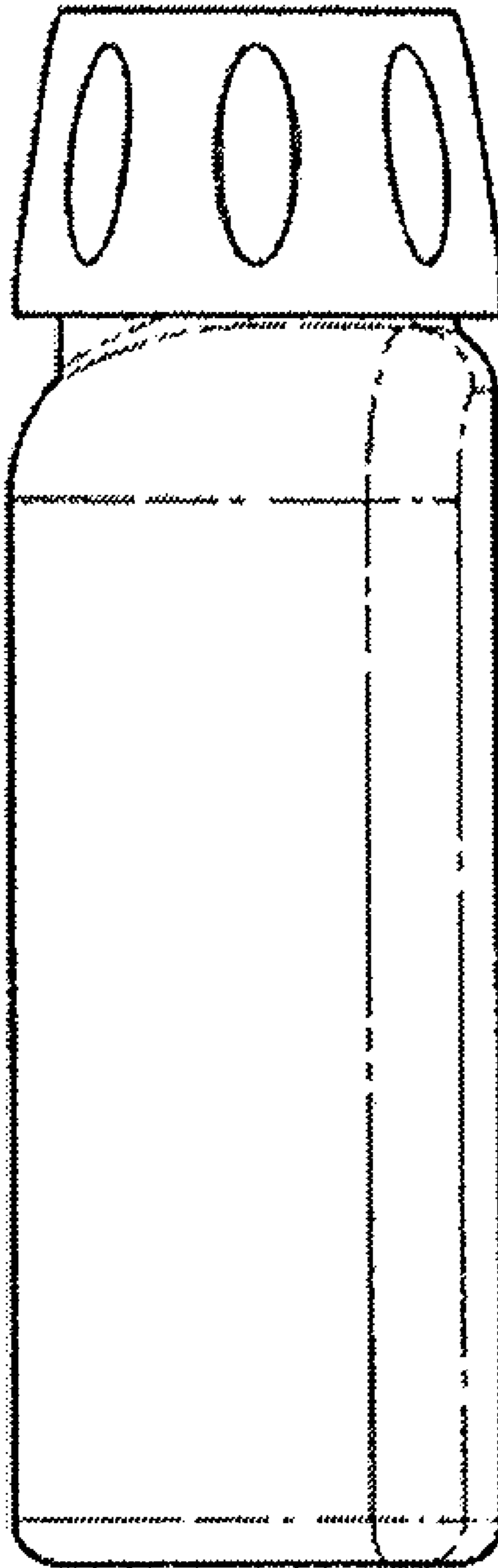


FIG. 4

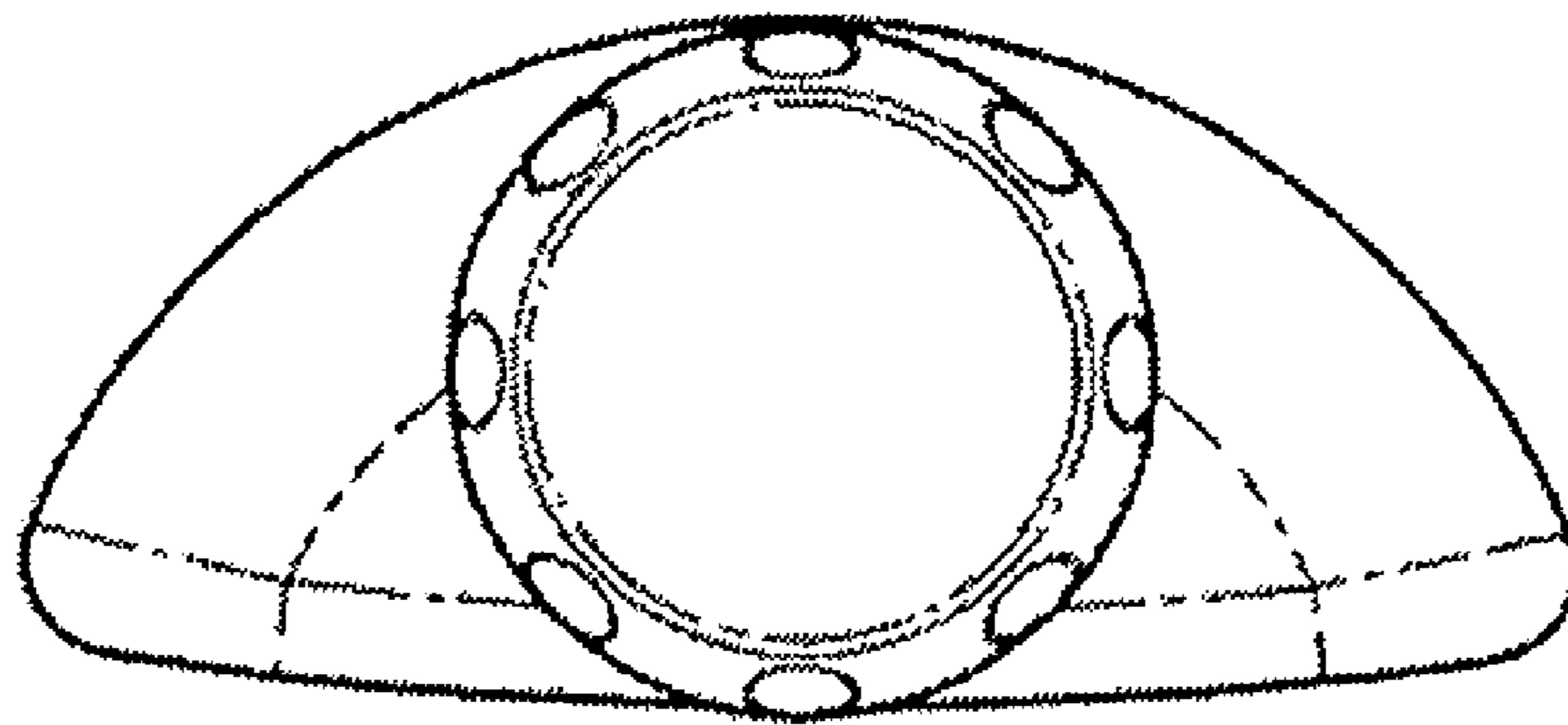


FIG. 5

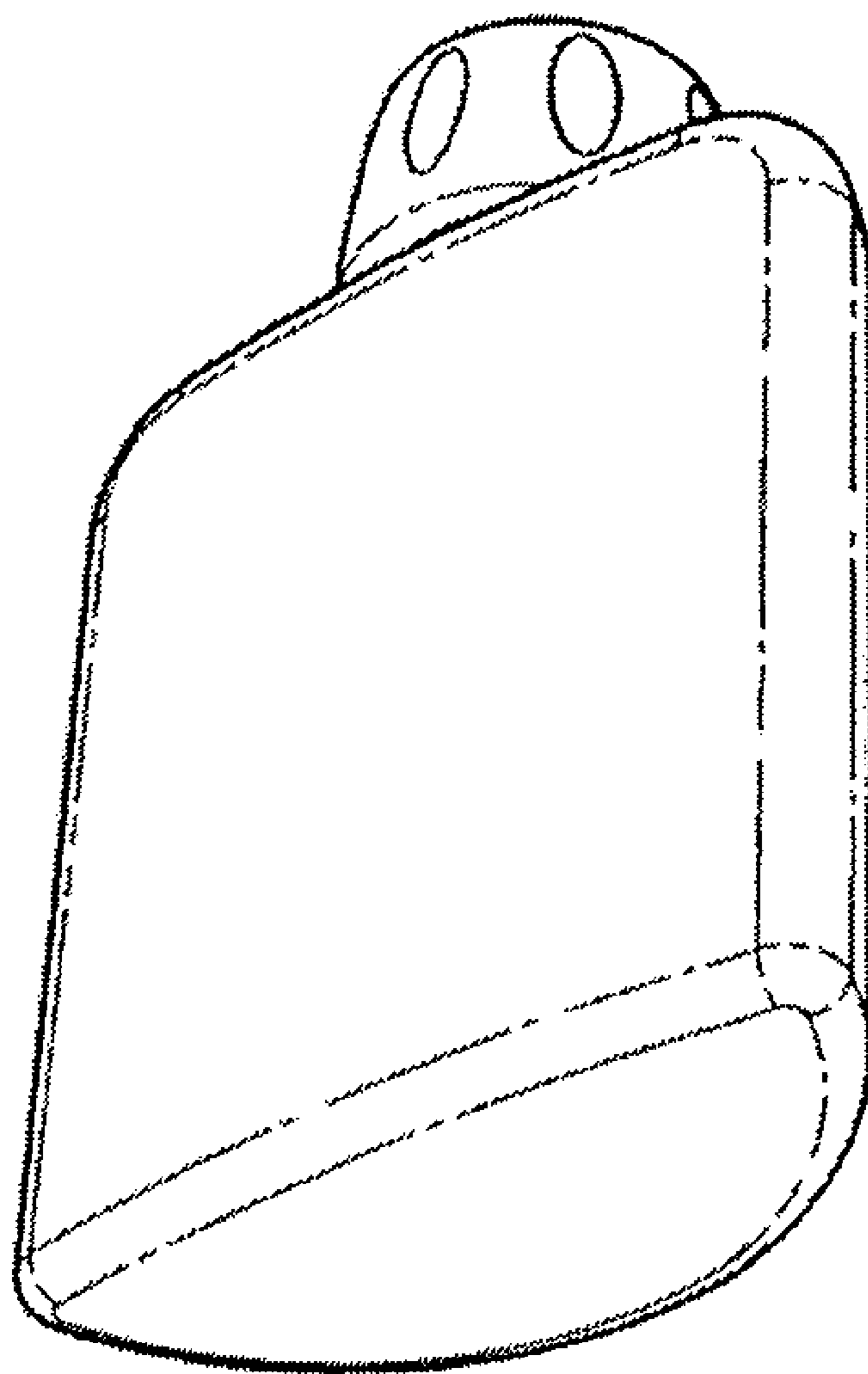


FIG. 6