

US00D564878S

(12) **United States Design Patent**
Baughman et al.

(10) **Patent No.:** **US D564,878 S**
(45) **Date of Patent:** **** Mar. 25, 2008**

(54) **CLOSING CAP FOR A CONTAINER CLOSURE**

(75) Inventors: **Gary M. Baughman**, Fremond, IN (US); **Lynn A. Brooks**, Auburn, IN (US)

(73) Assignee: **Rieke Corporation**, Auburn, IN (US)

(**) Term: **14 Years**

(21) Appl. No.: **29/288,147**

(22) Filed: **May 31, 2007**

(51) **LOC (8) Cl.** **09-07**

(52) **U.S. Cl.** **D9/454**; D9/439; D9/438

(58) **Field of Classification Search** D9/780, D9/763, 539, 516, 454, 453, 449, 447, 440, D9/439, 438, 436, 435, 452; D34/39; 222/570, 222/569, 547, 464.1, 185.1, 565, 153.06, 222/529, 527; 220/257.1; 215/341, 216, 215/228; 137/845, 844; D7/392, 392.1, D7/505; D32/54

See application file for complete search history.

(56) **References Cited**

U.S. PATENT DOCUMENTS

2,895,654 A	7/1959	Rieke	222/529
2,935,223 A *	5/1960	Crowley	220/761
4,413,743 A	11/1983	Summers	215/216
5,244,113 A *	9/1993	Stymiest	215/228
D362,389 S *	9/1995	Frye	D9/454

5,678,735 A *	10/1997	Guglielmini	222/527
D396,380 S	7/1998	Lai et al.	D7/392
5,950,876 A	9/1999	McLelland et al.	222/153.06
D427,021 S	6/2000	Moran	D7/608
D511,457 S	11/2005	Biesecker et al.	D9/443
D522,860 S *	6/2006	LaFortune	D9/449

* cited by examiner

Primary Examiner—Gary D. Watson

Assistant Examiner—Susan Benett Hattan

(74) *Attorney, Agent, or Firm*—Woodard, Emhardt, Moriarty, McNett & Henry LLP

(57) **CLAIM**

The ornamental design for a closing cap for a container closure, as shown and described.

DESCRIPTION

FIG. 1 is a front elevational view of a closing cap for a container closure showing my new design, the rear elevational view being identical thereto;

FIG. 2 is a left side elevational view thereof, the right side elevational view being identical thereto;

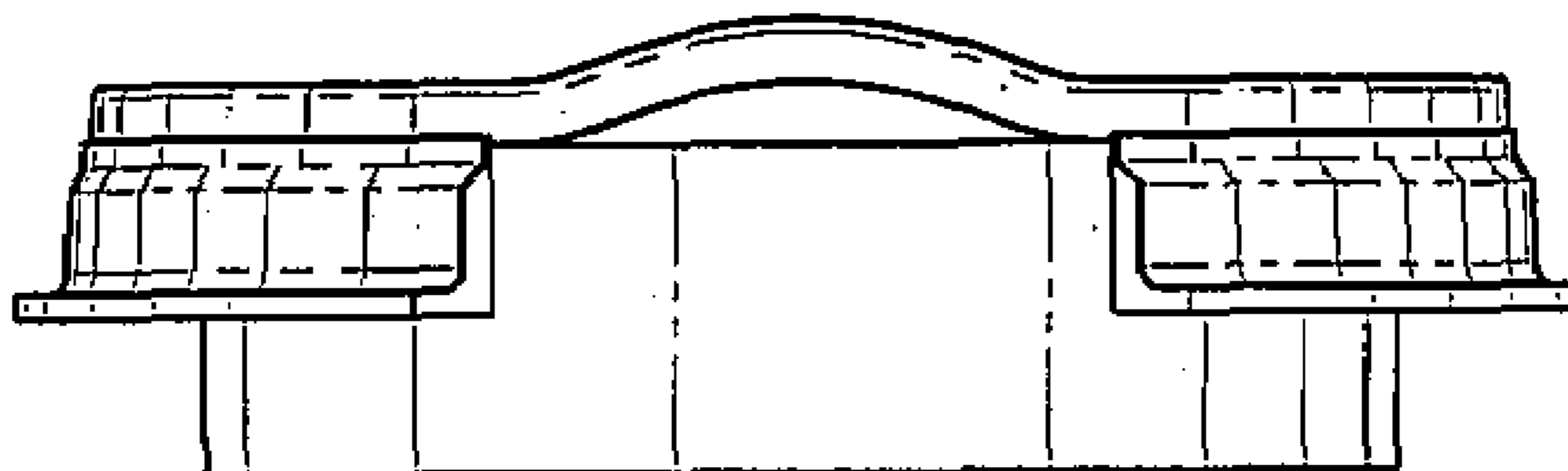
FIG. 3 is a top plan view thereof;

FIG. 4 is a bottom plan view thereof; and,

FIG. 5 is a perspective view thereof.

The broken lines in FIG. 4 showing the underside of the central portion of the cap depict environmental subject matter only and form no part of the claimed design.

1 Claim, 2 Drawing Sheets



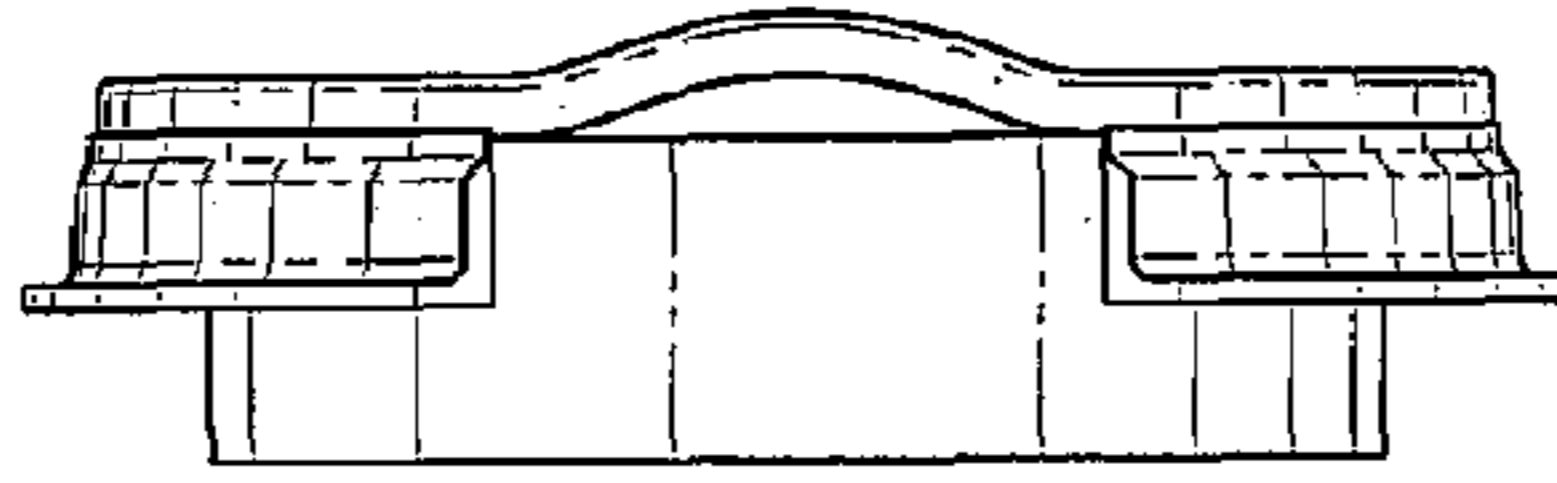


Fig. 1

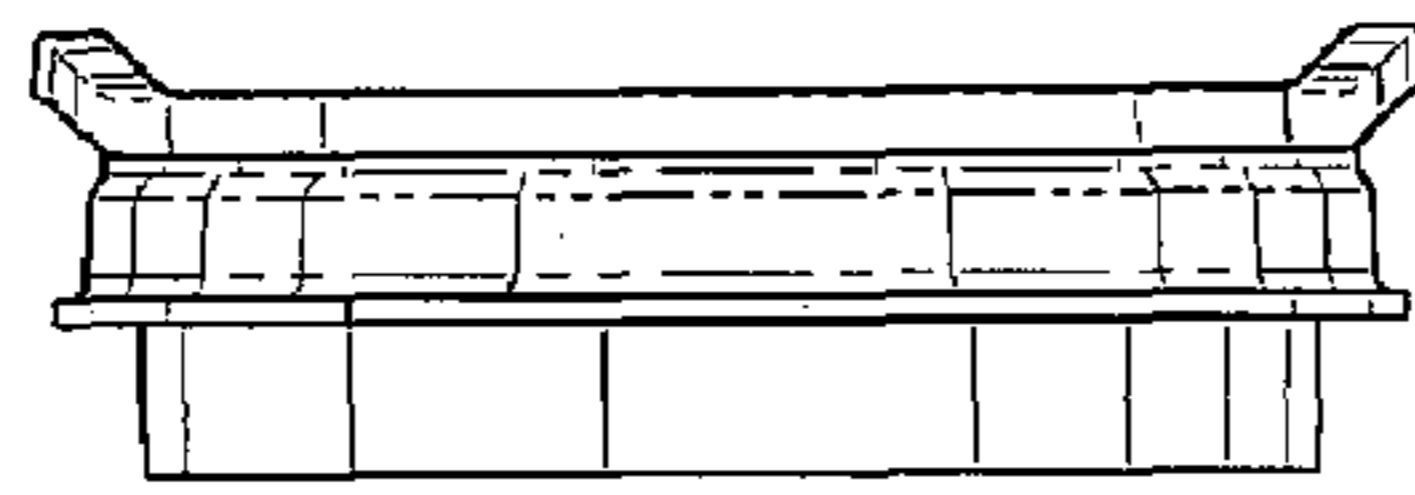


Fig. 2

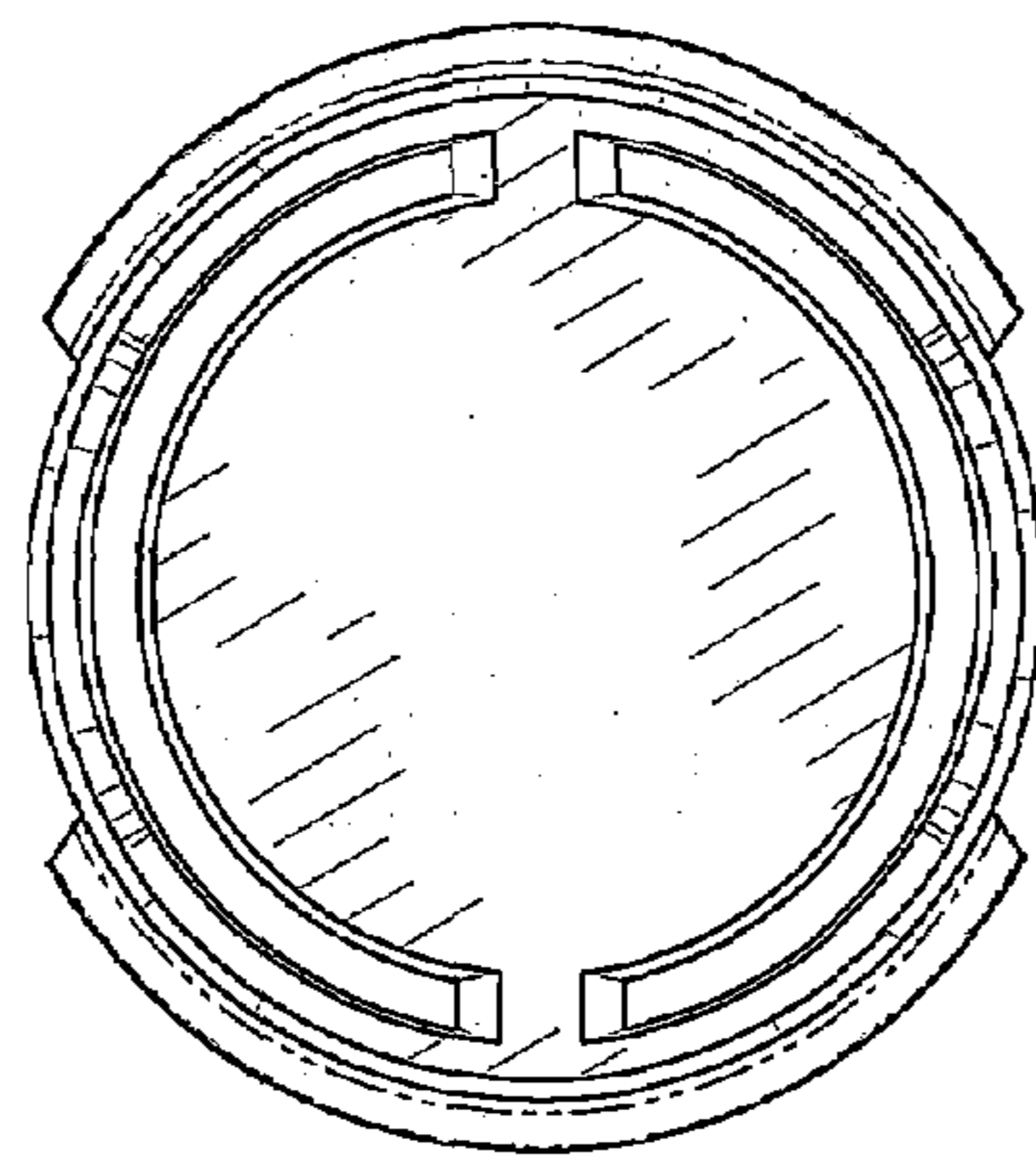


Fig. 3

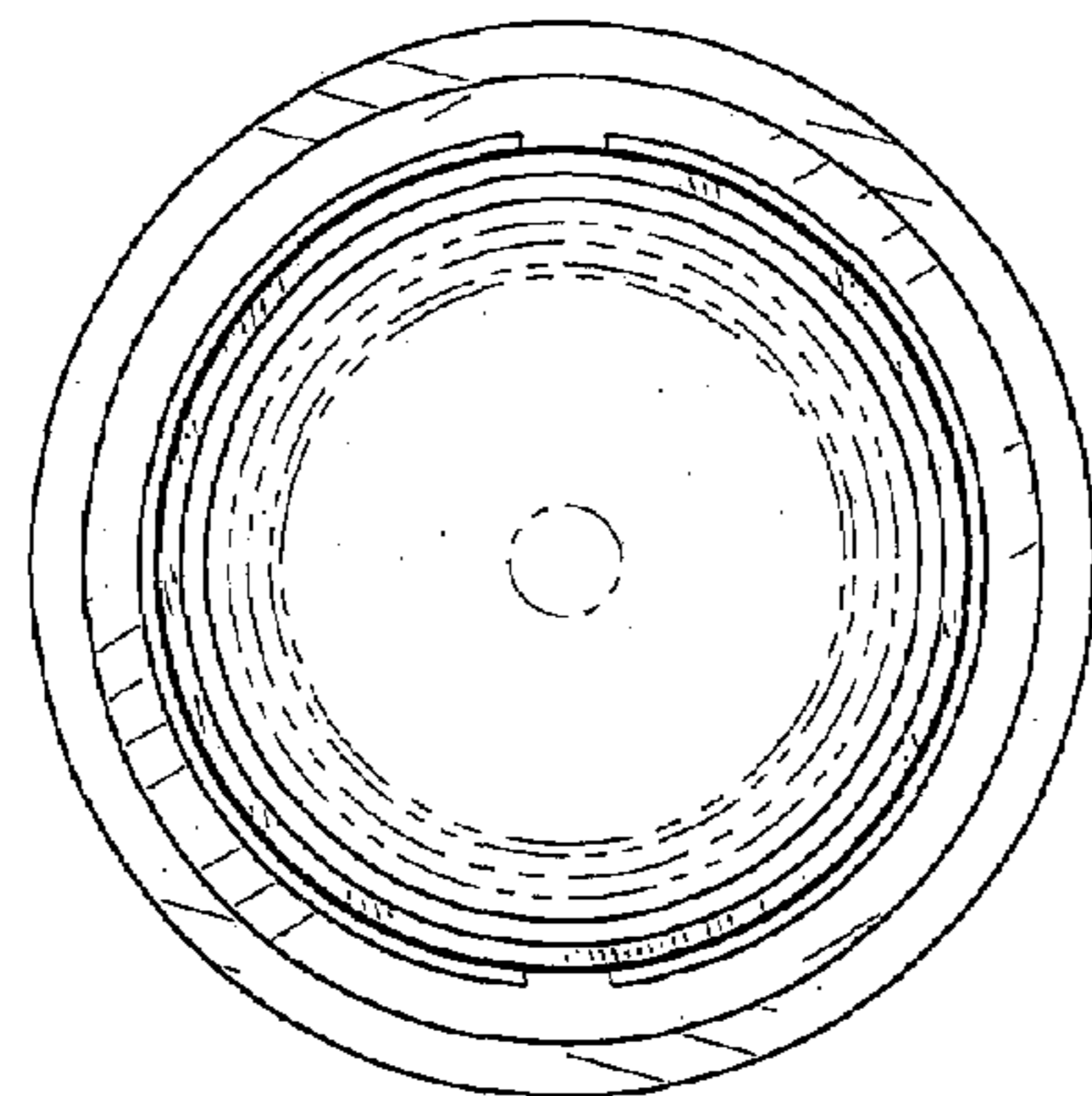


Fig. 4

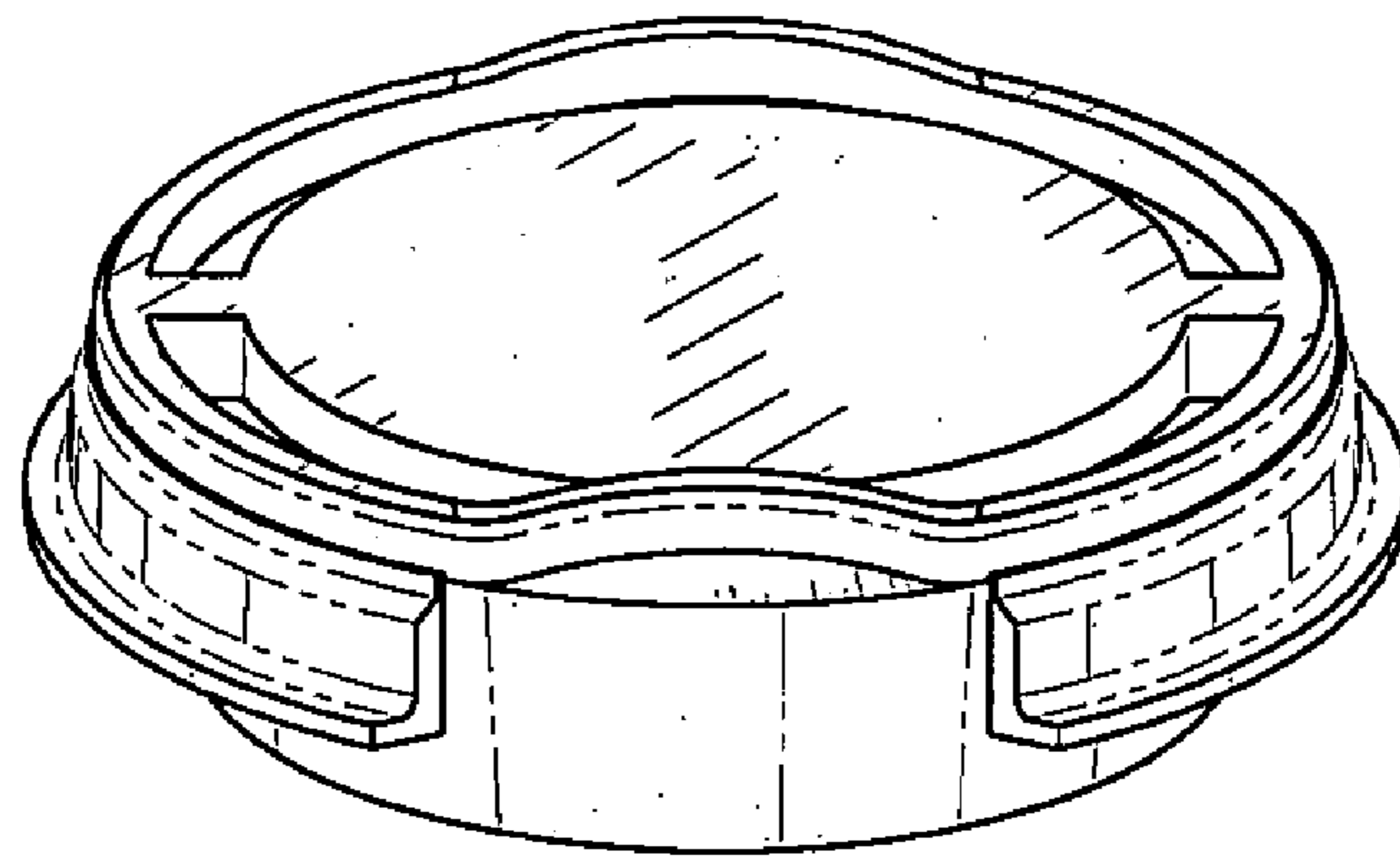


Fig. 5