

US00D564871S

(12) **United States Design Patent**  
**Pitcher**

(10) **Patent No.:** **US D564,871 S**

(45) **Date of Patent:** **\*\* Mar. 25, 2008**

(54) **BUTTERFLY CLIP**

(75) Inventor: **David E Pitcher**, Cambridge, MA (US)

(73) Assignee: **Rose Displays Ltd.**, Salem, MA (US)

(\*\*) Term: **14 Years**

(21) Appl. No.: **29/262,081**

(22) Filed: **Jun. 26, 2006**

**Related U.S. Application Data**

(63) Continuation of application No. 10/903,563, filed on Jul. 30, 2004, now Pat. No. 7,065,912.

(51) **LOC (8) Cl.** ..... **08-08**

(52) **U.S. Cl.** ..... **D8/395**

(58) **Field of Classification Search** ..... D8/356,  
D8/371, 395-396; D19/65, 56; 24/73 R,  
24/255 R, 457, 489, 543; 248/318, 317,  
248/343, 326, 214, 228.7, 222.12, 231.81,  
248/320, 340; D6/513; 47/67

See application file for complete search history.

(56) **References Cited**

**U.S. PATENT DOCUMENTS**

D174,150 S \* 3/1955 Weller et al. .... D8/394  
3,616,497 A \* 11/1971 Esposito ..... 24/542  
4,065,090 A \* 12/1977 Mauney ..... 248/318

D248,924 S \* 8/1978 Curtis ..... D8/394  
D264,662 S \* 6/1982 Bisk et al. .... D6/328  
D331,462 S \* 12/1992 Kraus et al. .... D24/143  
D360,053 S \* 7/1995 Wilborn et al. .... D28/38  
5,490,651 A \* 2/1996 Kump ..... 248/222.12  
D476,554 S \* 7/2003 Niwa ..... D8/395  
D522,650 S \* 6/2006 Clawson ..... D24/106

\* cited by examiner

*Primary Examiner*—Stella M. Reid

*Assistant Examiner*—John Windmuller

(74) *Attorney, Agent, or Firm*—Don Halgren

(57) **CLAIM**

The ornamental design for a butterfly clip, as shown and described.

**DESCRIPTION**

FIG. 1 is a perspective view a butterfly clip showing my new design;

FIG. 2 is a front elevational view thereof;

FIG. 3 is a rear elevational view thereof;

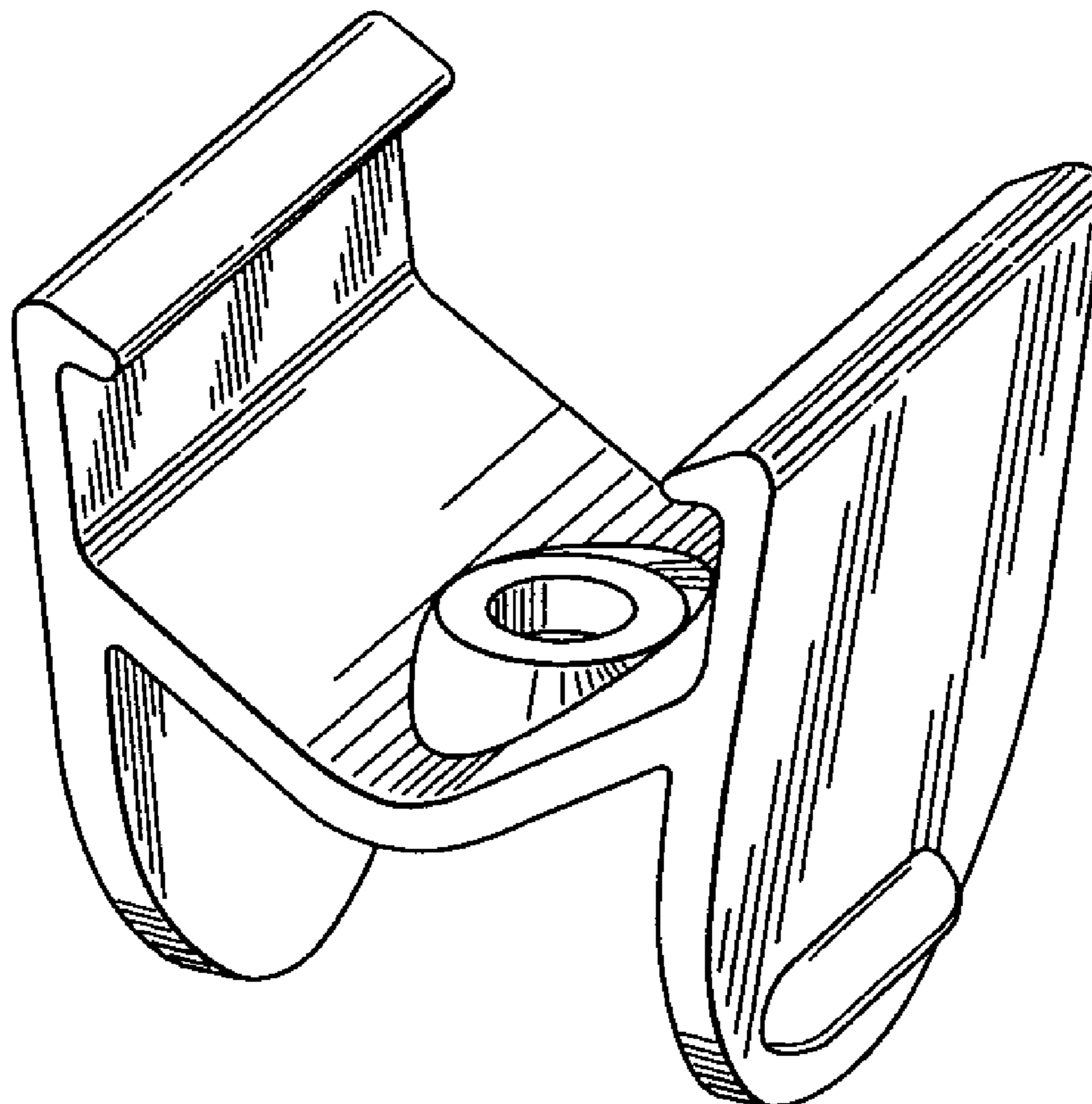
FIG. 4 is a left side elevational view thereof;

FIG. 5 is a right side elevational view thereof;

FIG. 6 is a bottom plan view thereof; and,

FIG. 7 is a top plan view thereof.

**1 Claim, 4 Drawing Sheets**



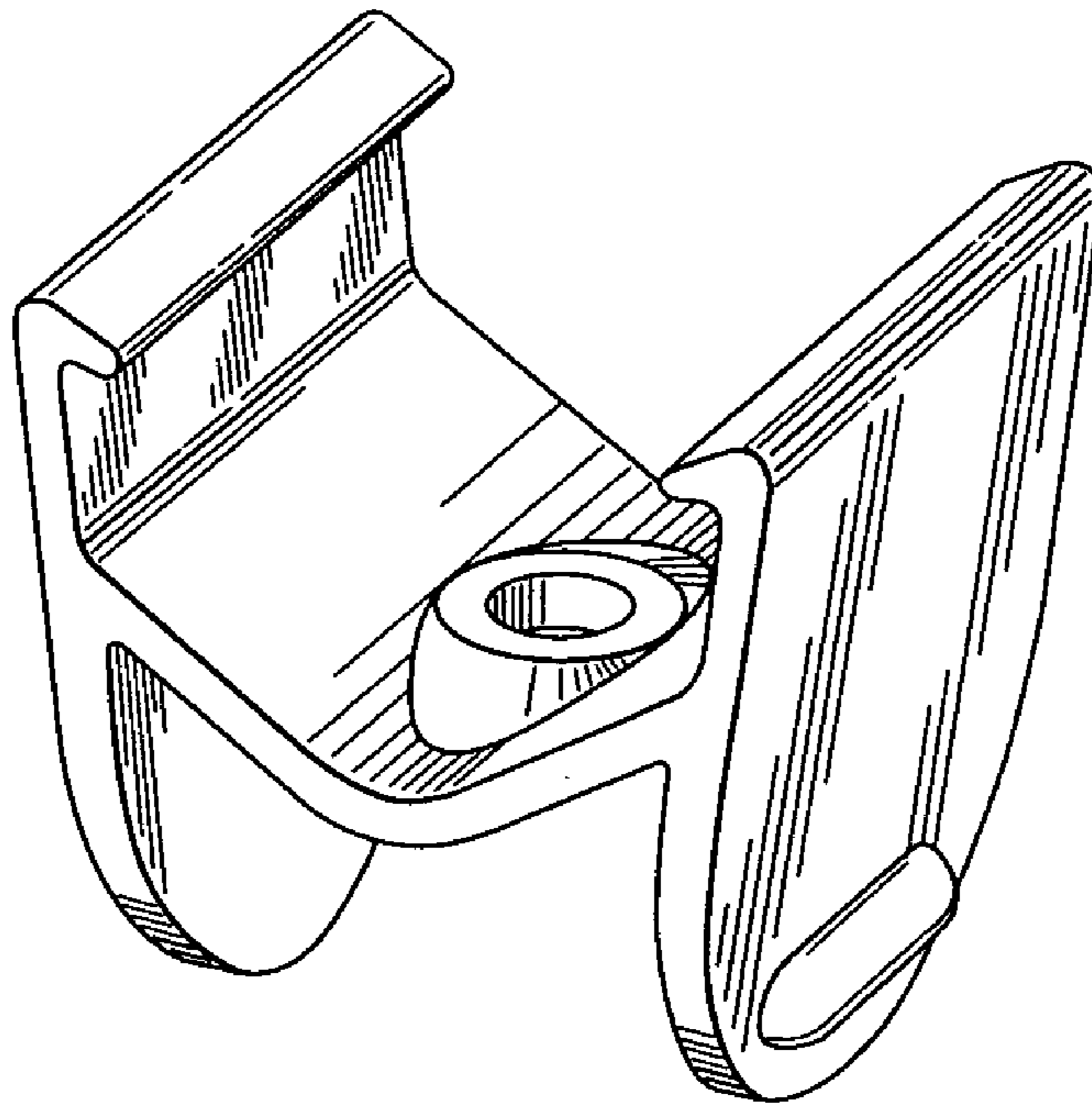


Fig. 1

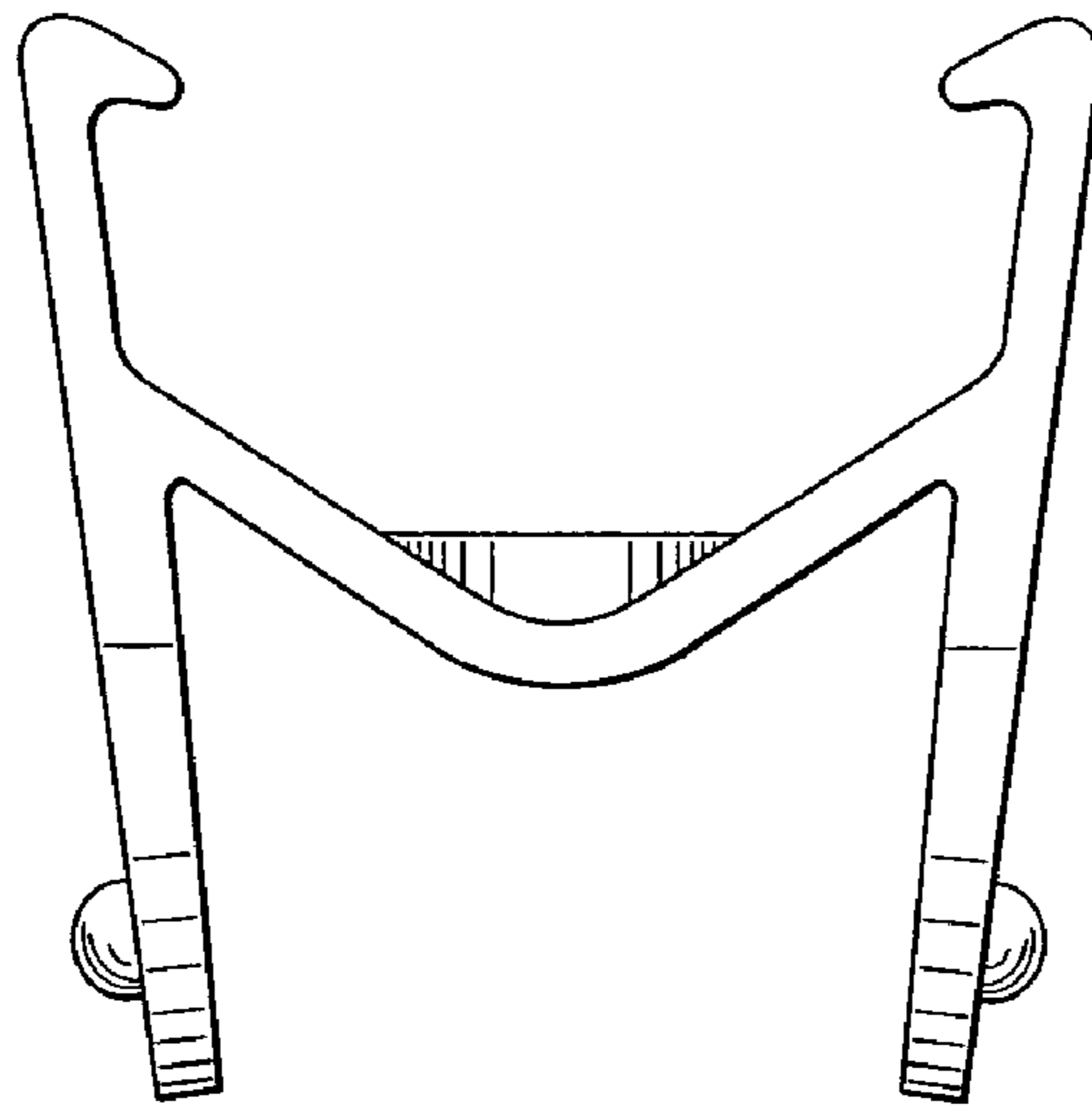


Fig. 2

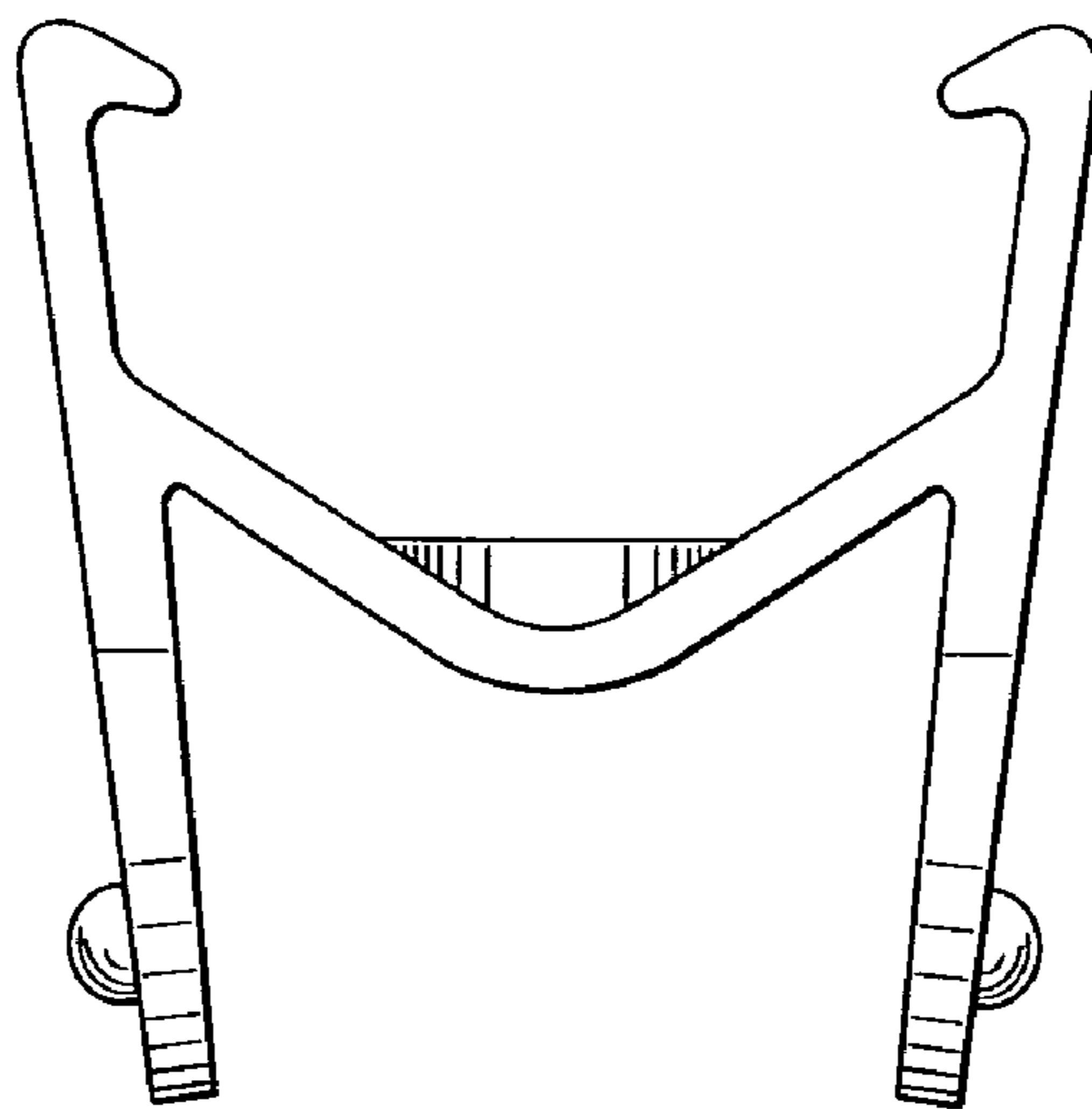


Fig. 3

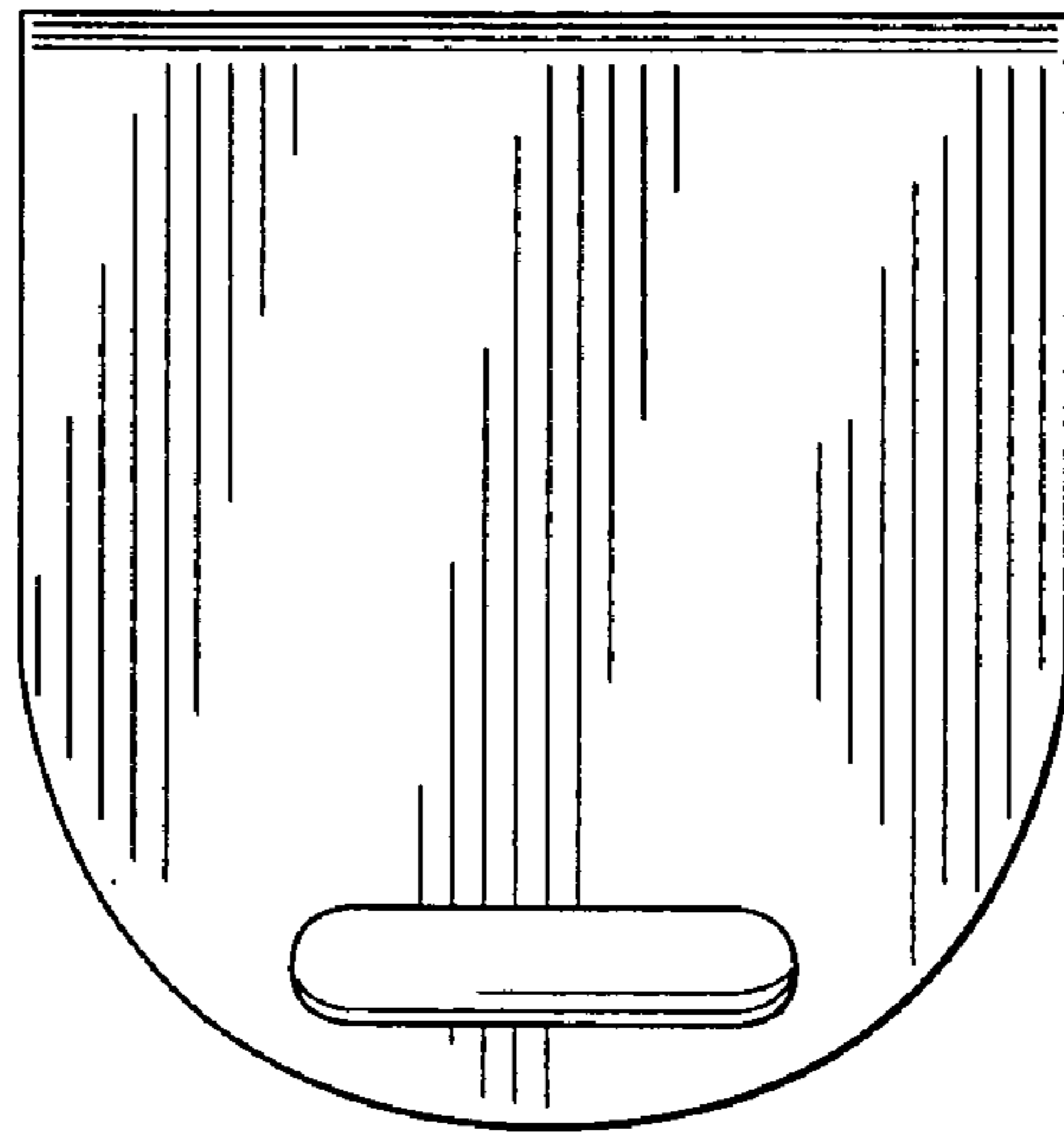


Fig. 4

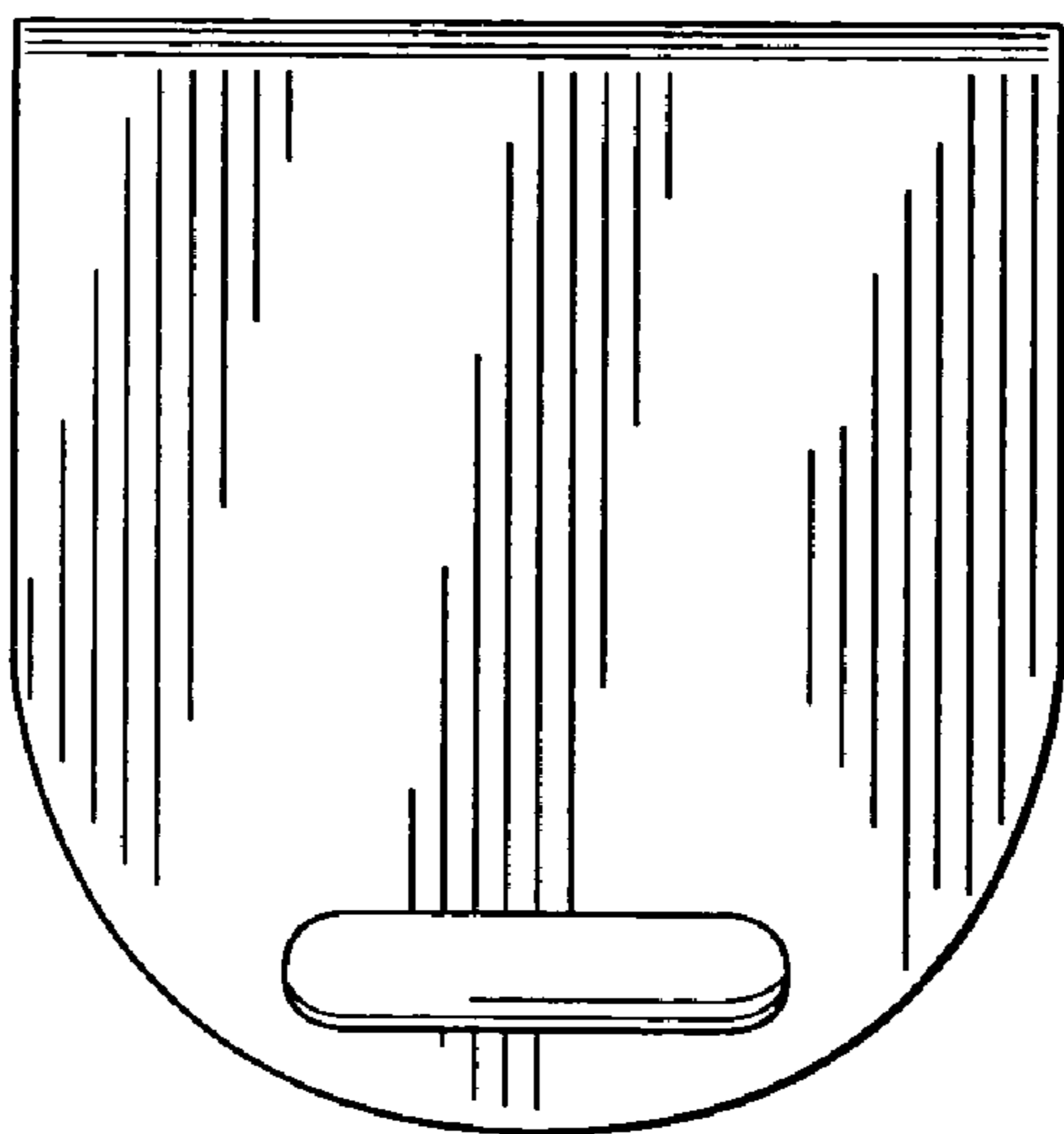


Fig. 5

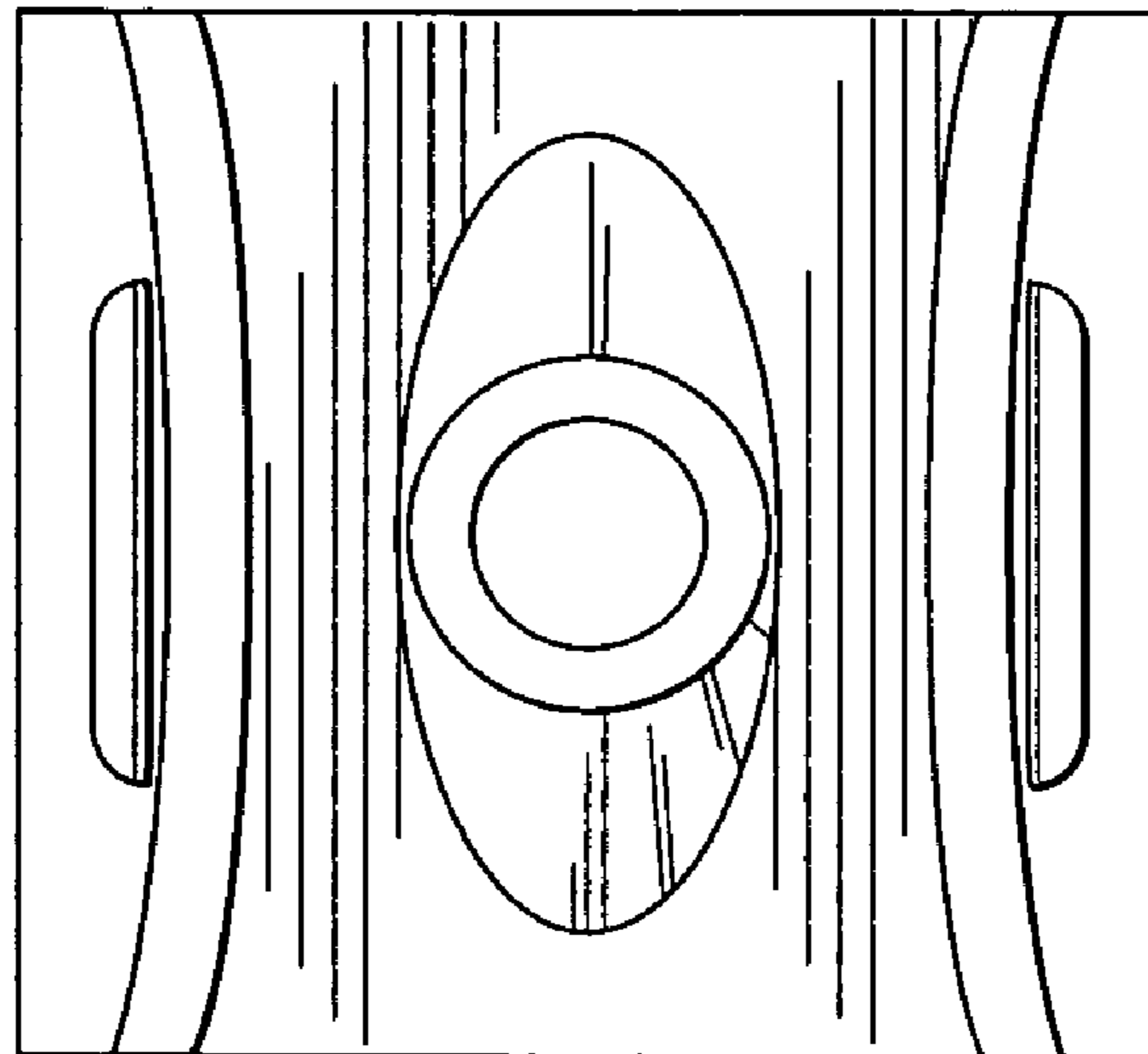


Fig. 6

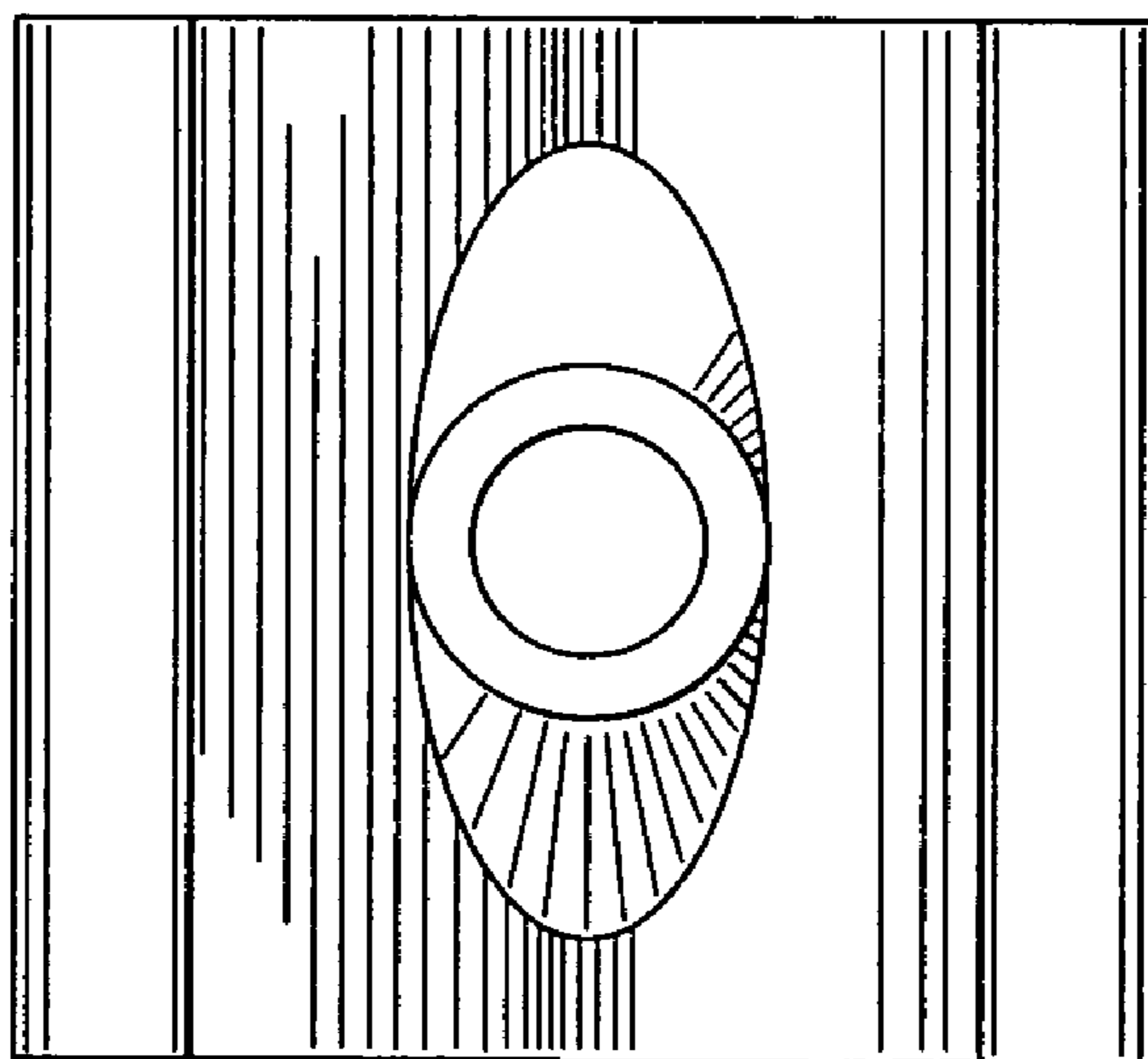


Fig. 7