



US00D564870S

(12) **United States Design Patent**
Niizuma

(10) **Patent No.:** **US D564,870 S**
(45) **Date of Patent:** **** Mar. 25, 2008**

- (54) **CLIP**
- (75) Inventor: **Yukikazu Niizuma**, Toyonaka (JP)
- (73) Assignee: **Nifco Inc.**, Yokohama (JP)
- (**) Term: **14 Years**
- (21) Appl. No.: **29/226,574**
- (22) Filed: **Mar. 31, 2005**
- (30) **Foreign Application Priority Data**
Oct. 5, 2004 (JP) 2004-030208
- (51) **LOC (8) Cl.** **08-08**
- (52) **U.S. Cl.** **D8/394**
- (58) **Field of Classification Search** D8/356,
D8/371, 394-396; D19/65, 56; 24/22, 67 R,
24/20 S, 115 R, 546, 563, 910, 343, 67.9;
248/74.2, 215, 227.1, 49, 300, 301, 316.7,
248/51, 489
See application file for complete search history.

- (56) **References Cited**
U.S. PATENT DOCUMENTS
5,601,261 A * 2/1997 Koike 248/71
D425,403 S * 5/2000 Medina D8/354
D431,175 S * 9/2000 Lodi D8/354
D483,254 S * 12/2003 Sels D8/394

6,915,990 B2 * 7/2005 Maruyama 248/68.1
6,926,237 B2 * 8/2005 Shereyk et al. 248/71

* cited by examiner

Primary Examiner—Stella M. Reid
Assistant Examiner—John Windmuller
(74) *Attorney, Agent, or Firm*—Manabu Kanesaka

(57) **CLAIM**

The ornamental design for a clip, as shown and described.

DESCRIPTION

FIG. 1 is a front view of a clip showing my new design;
FIG. 2 is a plan view thereof;
FIG. 3 is a right side view thereof, a left side view being symmetrical to the right side view;
FIG. 4 is a bottom view thereof;
FIG. 5 is a rear view thereof;
FIG. 6 is a sectional view taken along line 6—6 in FIG. 1;
FIG. 7 is a sectional view taken along line 7—7 in FIG. 3;
FIG. 8 is a sectional view taken along line 8—8 in FIG. 3;
FIG. 9 is a sectional view taken along line 9—9 in FIG. 3; and,
FIG. 10 is a perspective view showing a rear side of the clip.

1 Claim, 4 Drawing Sheets

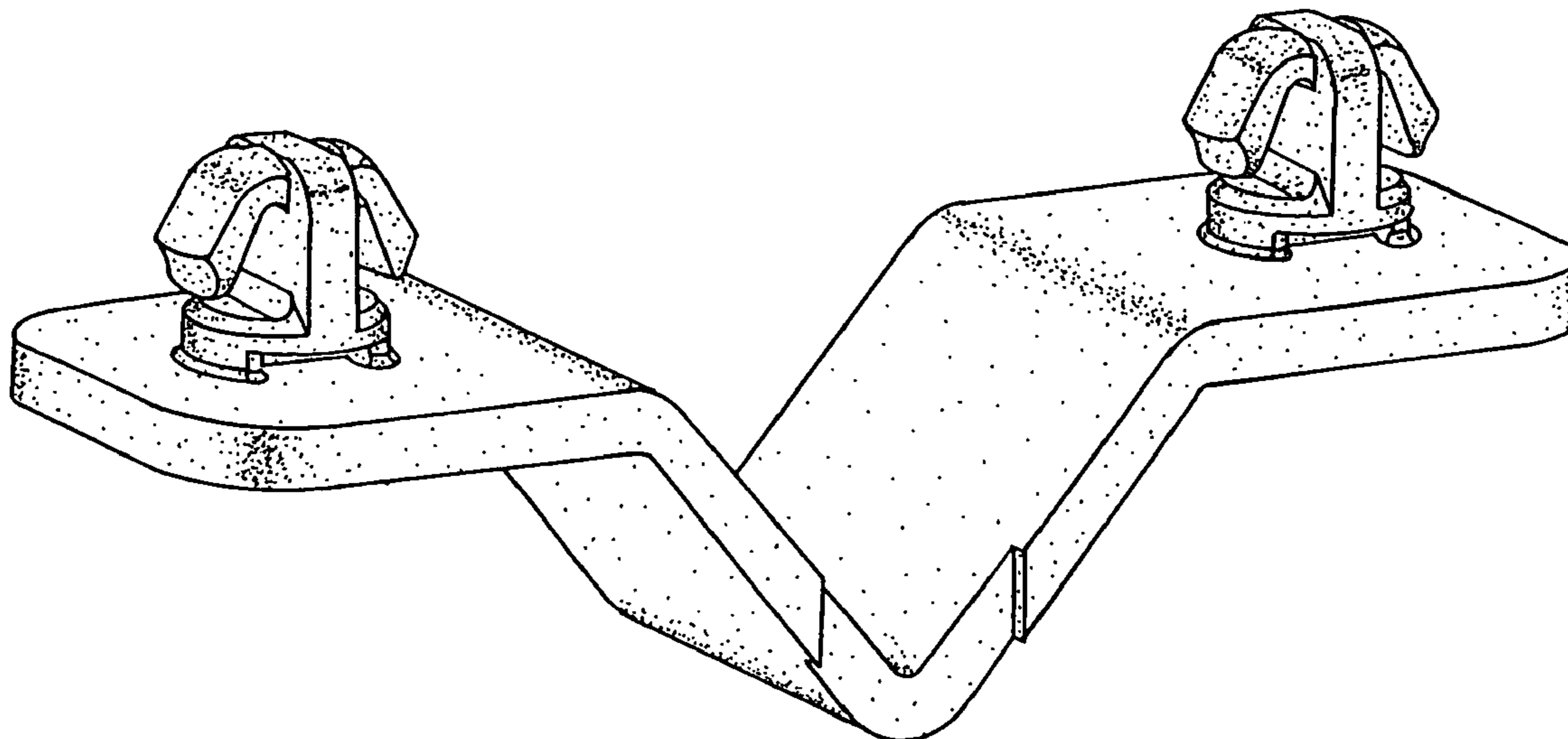


Fig. 1

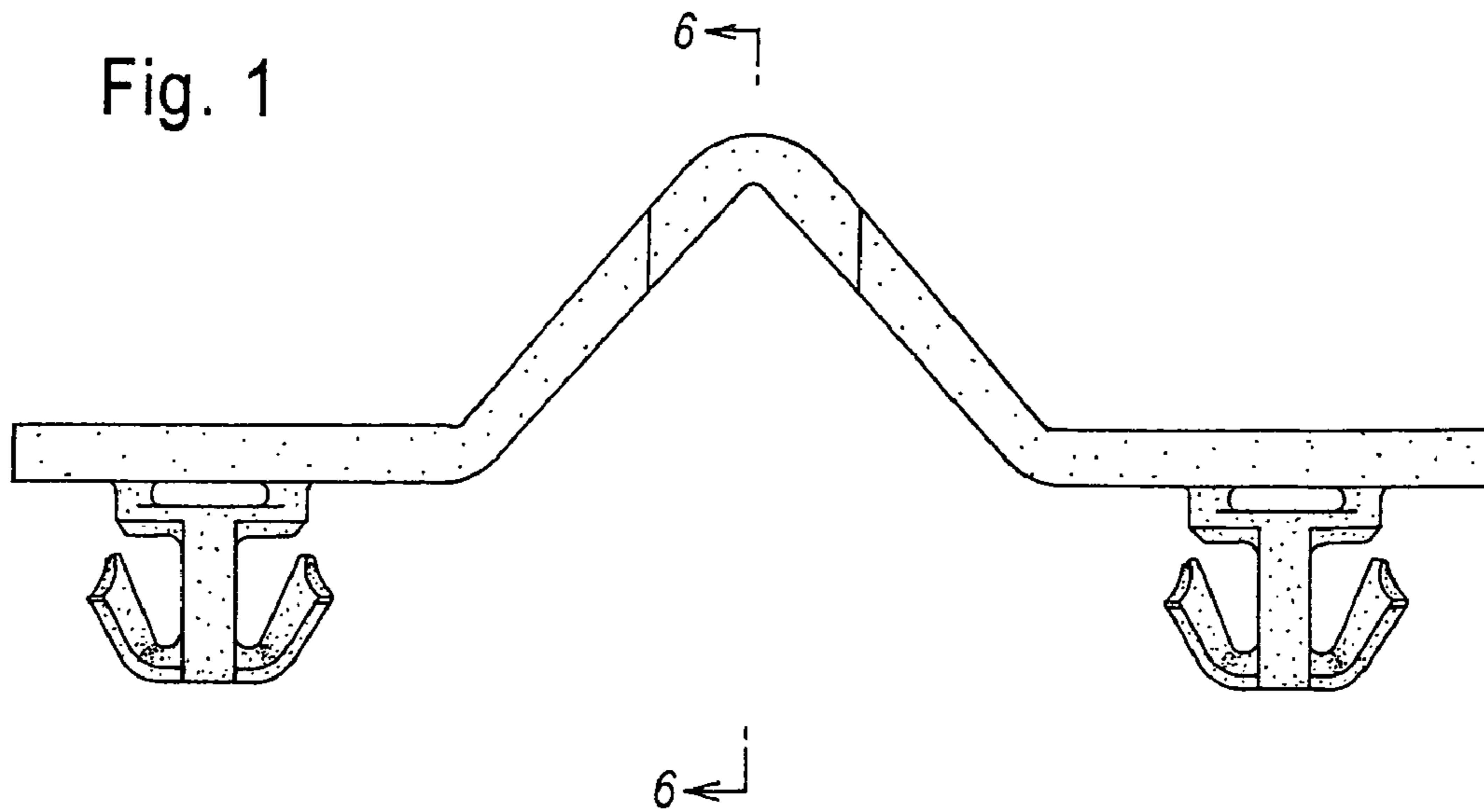


Fig. 2

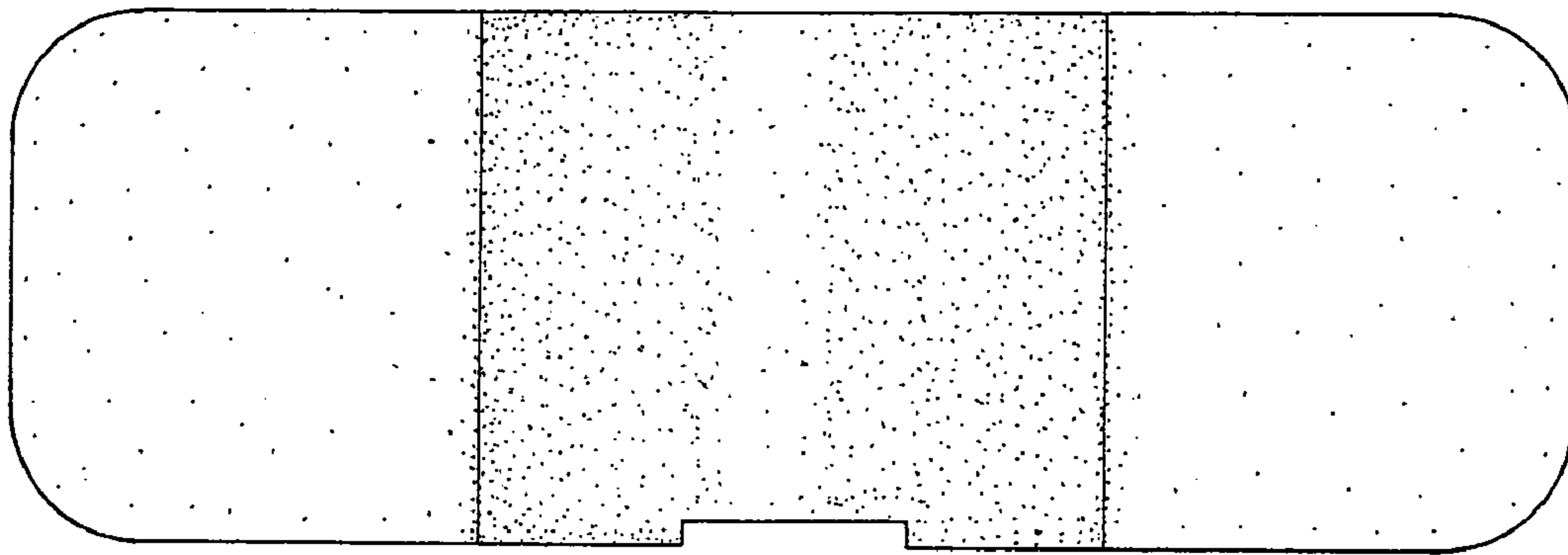


Fig. 3

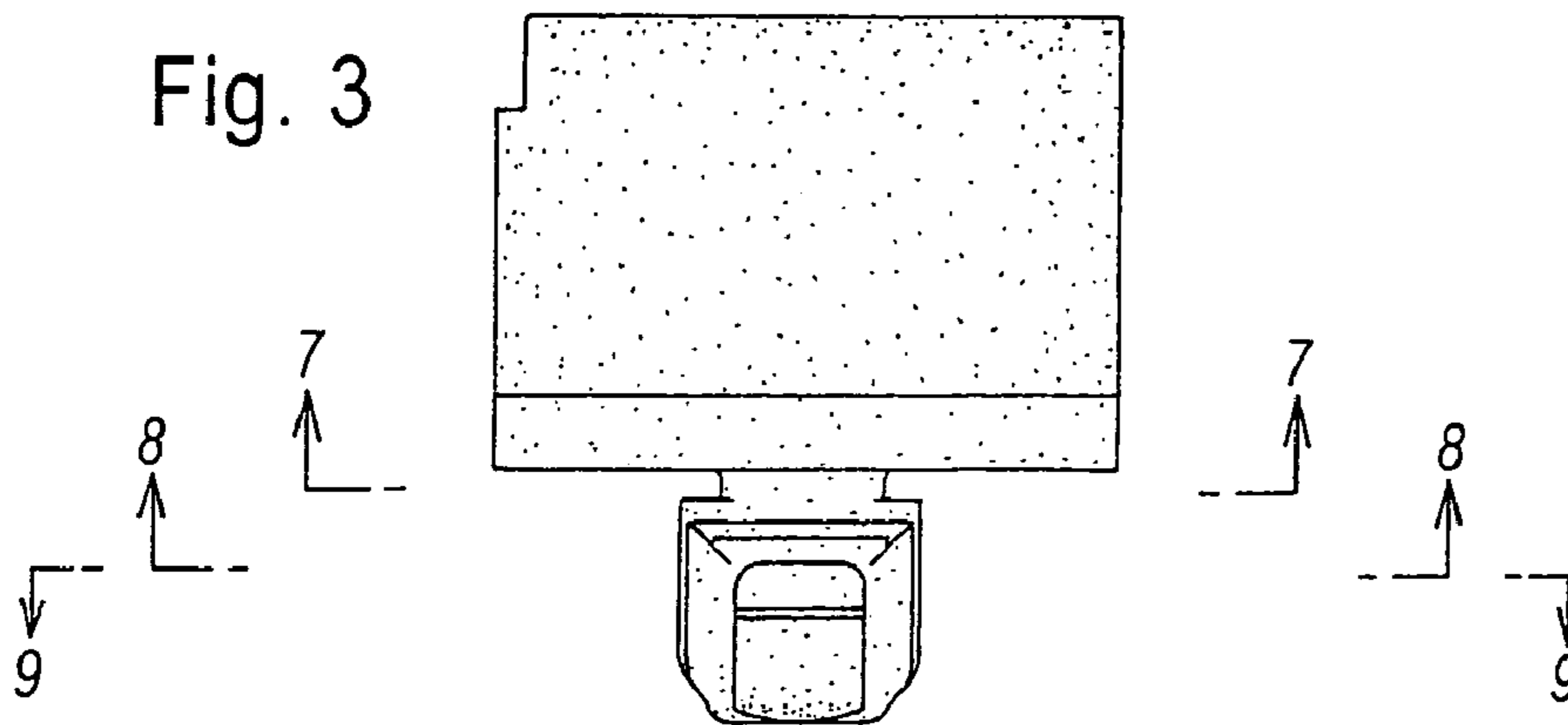


Fig. 4

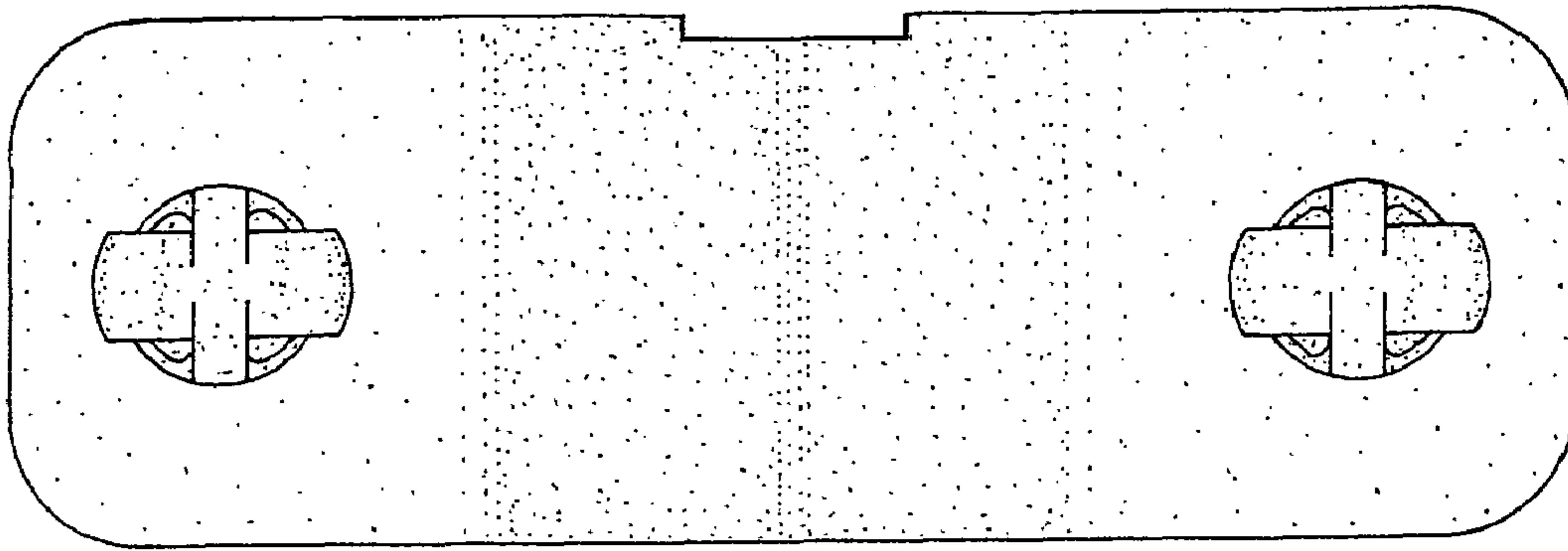


Fig. 5

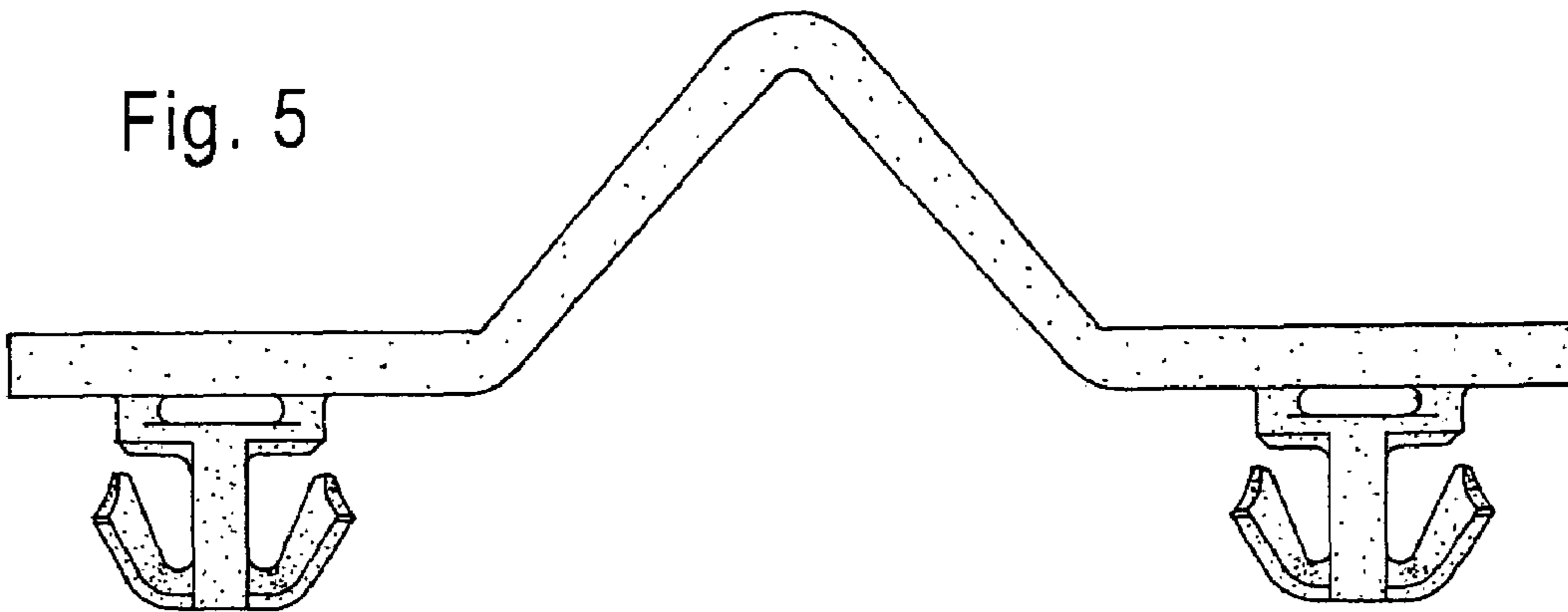


Fig. 6

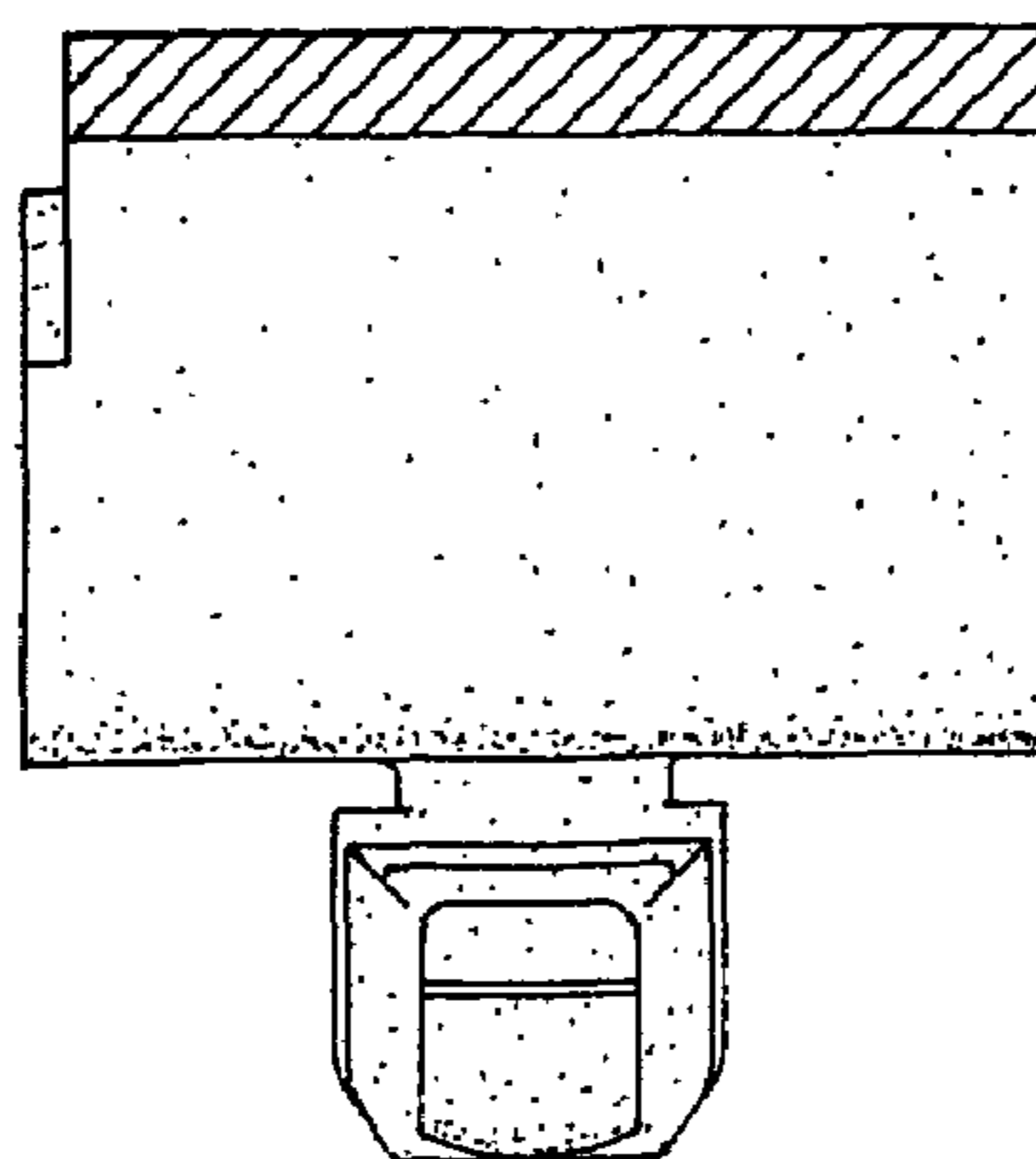


Fig. 7

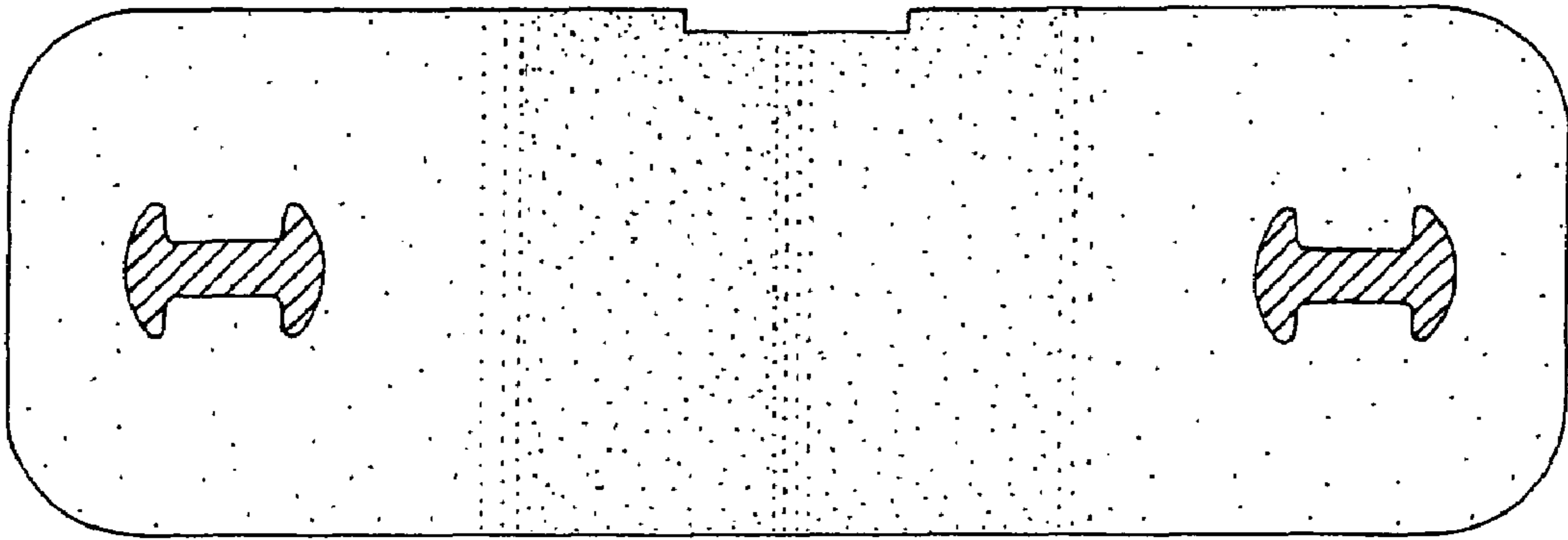


Fig. 8

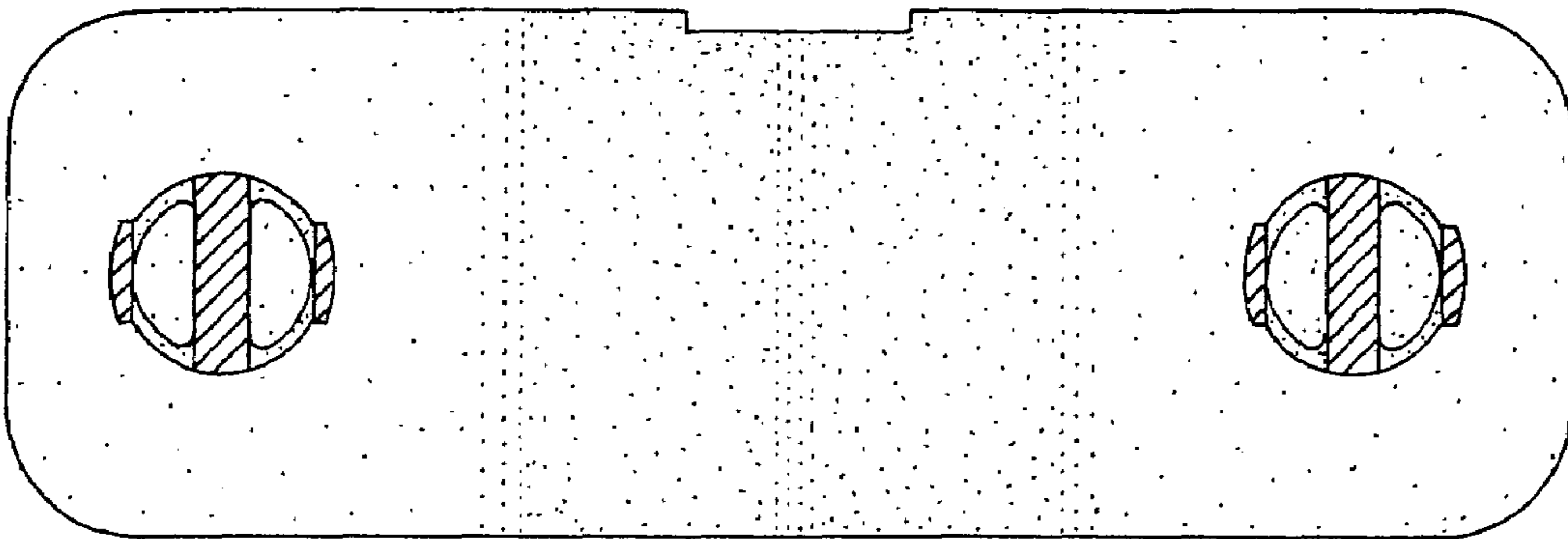


Fig. 9

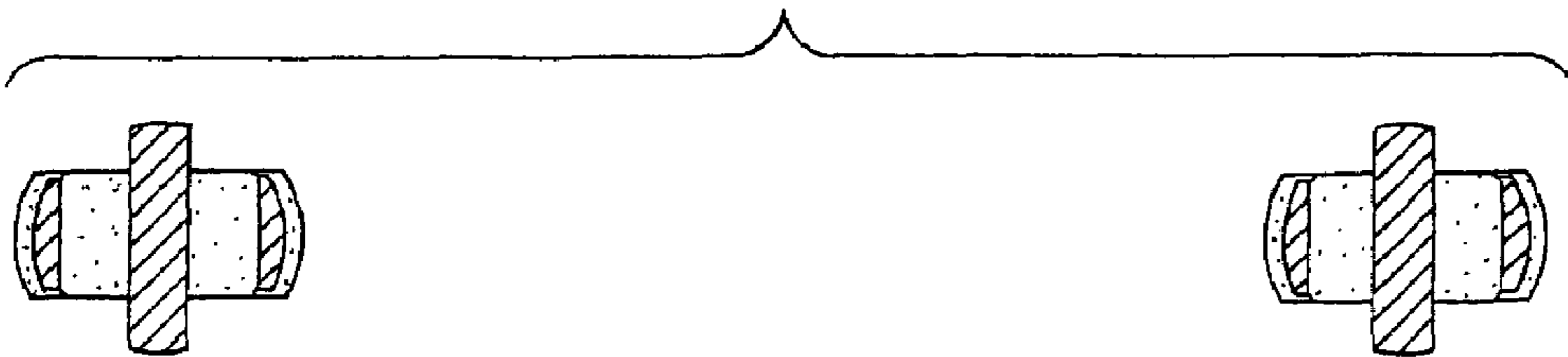


Fig. 10

