



US00D564867S

(12) **United States Design Patent**  
**Levin**

(10) **Patent No.:** **US D564,867 S**  
(45) **Date of Patent:** **\*\* Mar. 25, 2008**

(54) **SUPPORT FOR RAISING THE HEIGHT OF FURNITURE**

WO WO 88/08682 11/1988

**OTHER PUBLICATIONS**

(75) Inventor: **Amir Levin**, New York, NY (US)

Litaf's "High Leg" product description. <http://www.litaf.com/web/inner.asp?cat=gallery&catId=1&info=36> (Retrieved on Oct. 1, 2007).

(73) Assignee: **Kabo, Inc.**, Atlanta, GA (US)

Cheeky Rascal's "BabyTall" product description. <http://www.cheekyrascals.co.uk/handysitt/accessories.html> (Retrieved on Oct. 1, 2007).

(\*\*) Term: **14 Years**

\* cited by examiner

(21) Appl. No.: **29/281,330**

(22) Filed: **Jun. 20, 2007**

*Primary Examiner*—Holly H. Baynham

(74) *Attorney, Agent, or Firm*—Pabst Patent Group LLP

**Related U.S. Application Data**

(63) Continuation of application No. 11/691,218, filed on Mar. 26, 2007.

(57) **CLAIM**

I claim the ornamental design for a support for raising the height of furniture, as shown and described.

(51) **LOC (8) Cl.** ..... **08-05**

(52) **U.S. Cl.** ..... **D8/374**

(58) **Field of Classification Search** ..... D8/374;  
248/188, 188.1, 188.2, 346.01; 16/32; 297/463.1  
See application file for complete search history.

**DESCRIPTION**

FIG. 1 is a front plan view of a support for raising the height of furniture showing my new design in an open position, the opposite side plan view being a mirror image thereof;

FIG. 2 is a front plan view in a compact position, the opposite side plan view being a mirror image thereof;

FIG. 3 is a side elevational view in an open position, the opposite side elevational view being a mirror image thereof; and,

FIG. 4 is a perspective view.

The broken lines are for illustrative purposes only and form no part of the claimed design.

(56) **References Cited**

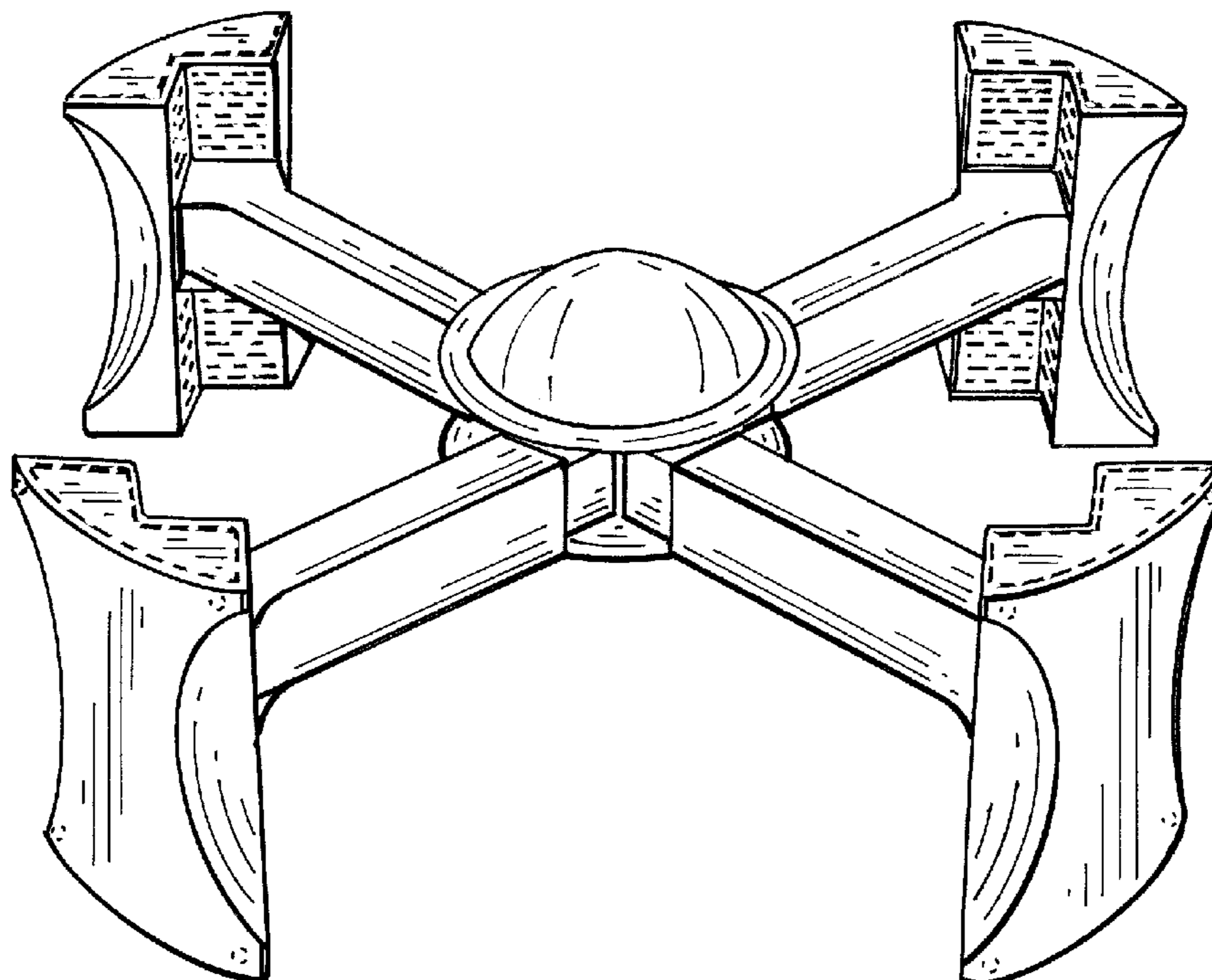
**U.S. PATENT DOCUMENTS**

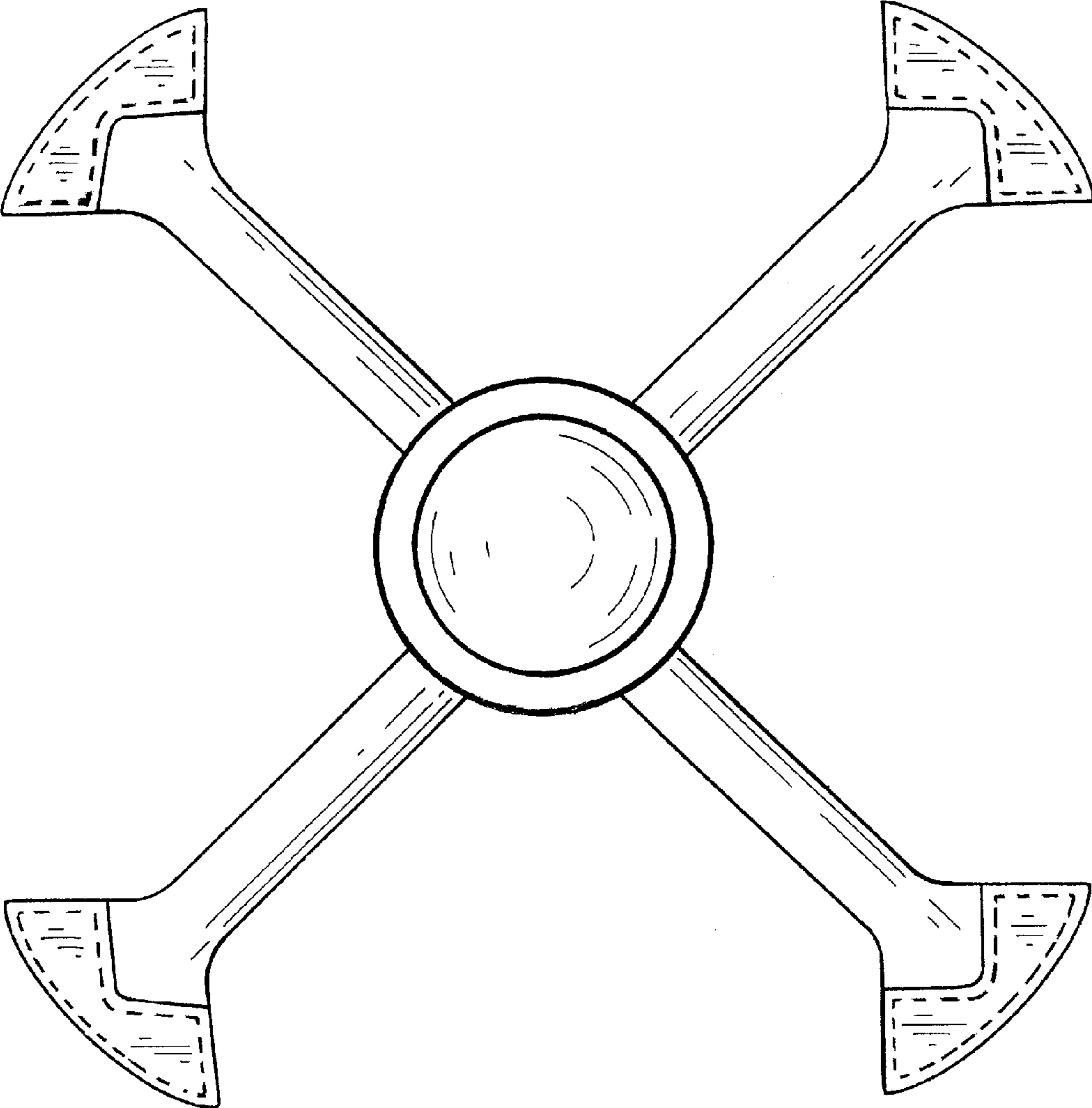
1,272,636	A *	7/1918	Dittrick	.....	248/188.2
3,952,983	A *	4/1976	Crochet	.....	248/173
5,333,825	A *	8/1994	Christensen	.....	248/188.2
5,899,422	A *	5/1999	Eke	.....	248/188.4
D498,412	S *	11/2004	Pehta et al.	.....	D8/374

**FOREIGN PATENT DOCUMENTS**

FR 2 794 628 12/2000

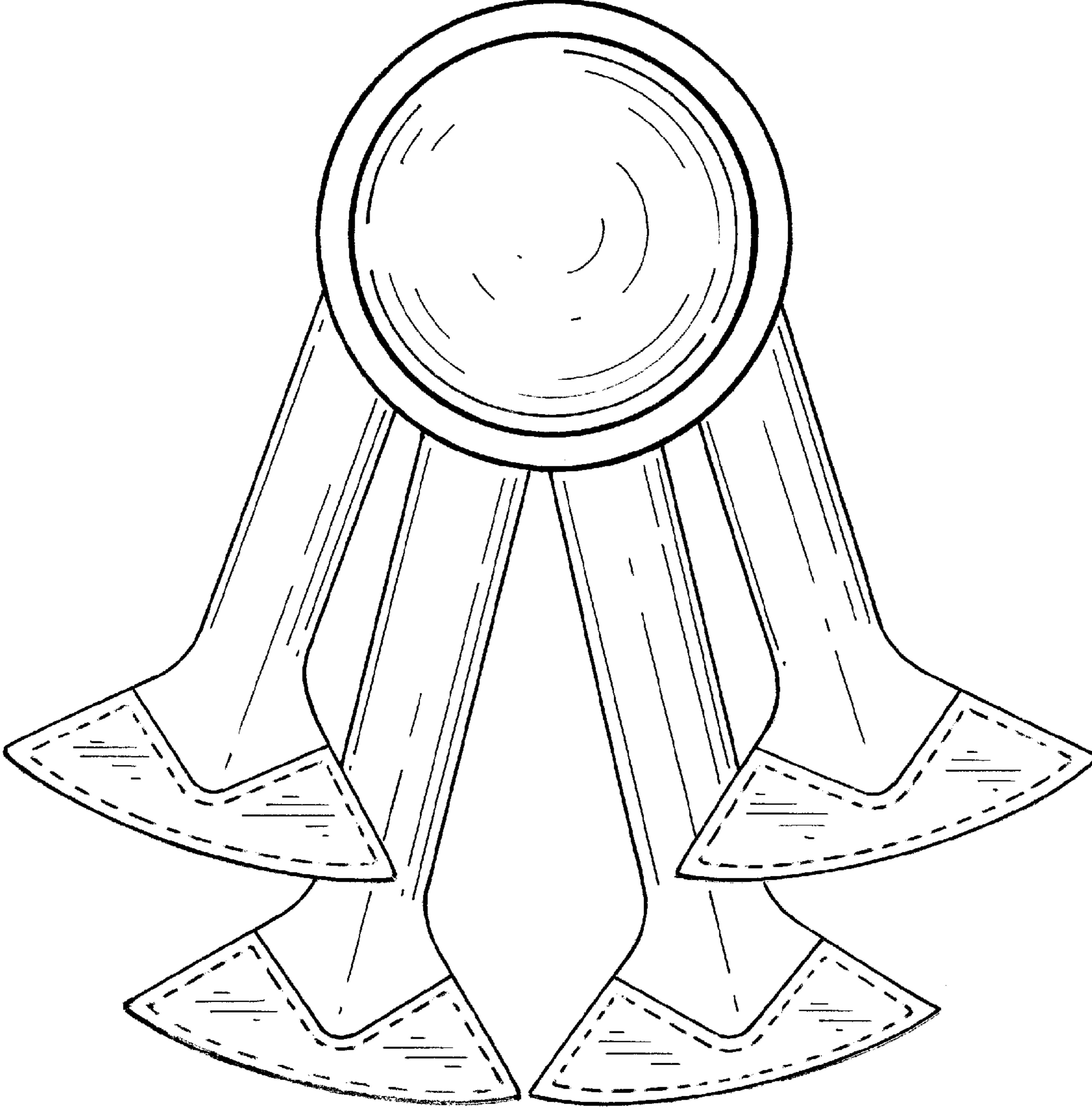
**1 Claim, 4 Drawing Sheets**





*FIG. 1*

FIG. 2



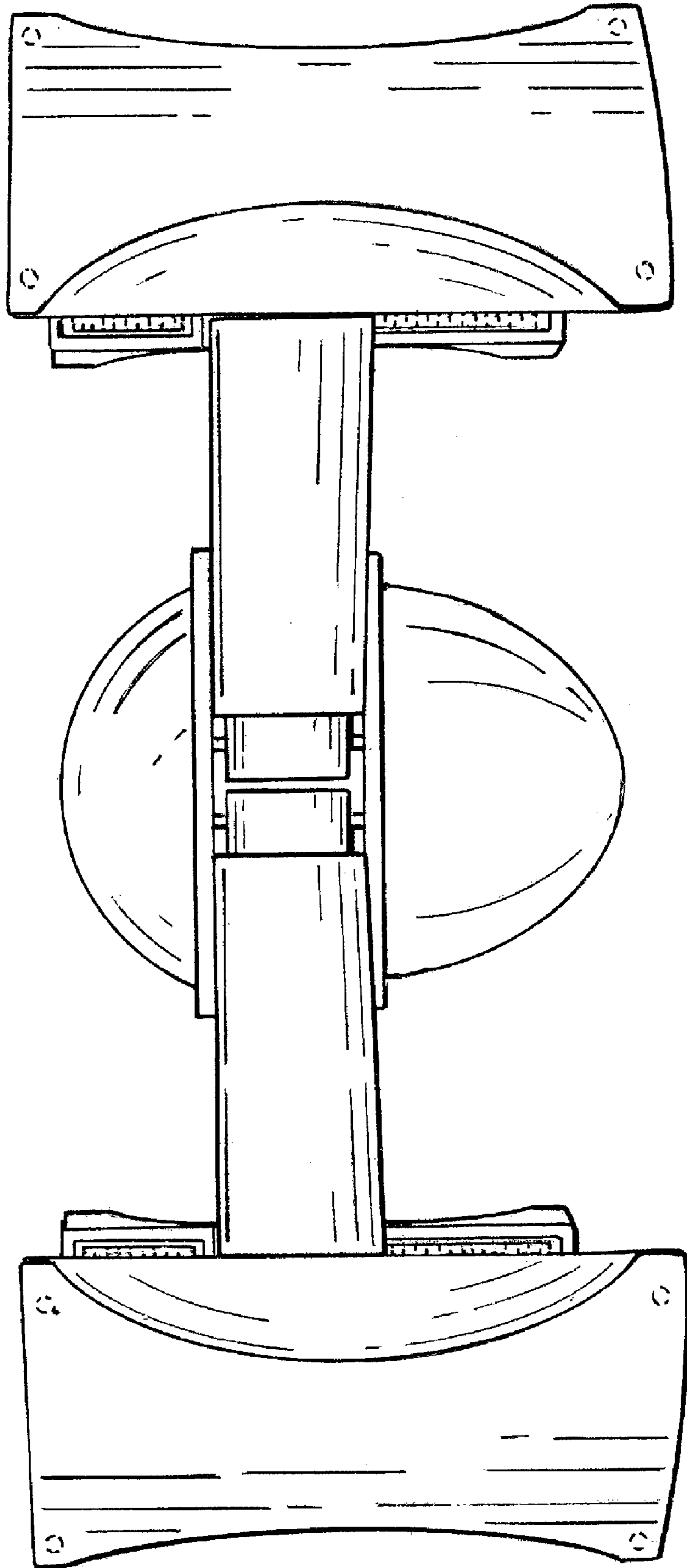


FIG. 3

FIG. 4

