



US00D564864S

(12) **United States Design Patent** (10) **Patent No.:** **US D564,864 S**  
**Johnson et al.** (45) **Date of Patent:** **\*\* Mar. 25, 2008**

(54) **BANDSAW BLADE GRINDING APPARATUS MOUNTING PLATE**

*Primary Examiner*—Holly H. Baynham

(74) *Attorney, Agent, or Firm*—BainwoodHuang

(75) Inventors: **Tom Johnson**, Durham, OR (US); **Jack Poe**, Banks, OR (US); **Norman Andrew Brown**, Kalama, WA (US); **Roy Erdwins**, Washougal, WA (US)

(57) **CLAIM**

The ornamental design for a bandsaw blade grinding apparatus mounting plate, as shown and described.

(73) Assignee: **Simonds International Corporation**, Fitchburg, MA (US)

**DESCRIPTION**

(\*\*) Term: **14 Years**

(21) Appl. No.: **29/285,731**

(22) Filed: **Apr. 6, 2007**

(51) **LOC (8) Cl.** ..... **08-05**

(52) **U.S. Cl.** ..... **D8/354**

(58) **Field of Classification Search** ..... D8/353, D8/349, 354; 248/27.1, 200, 300

See application file for complete search history.

(56) **References Cited**

**U.S. PATENT DOCUMENTS**

D243,655 S *	3/1977	Matousek et al. ....	D8/354
D427,888 S *	7/2000	Hannon .....	D8/354
6,497,395 B1 *	12/2002	Croker .....	248/300
6,631,658 B2	10/2003	Brown	

\* cited by examiner

FIG. 1 is a front perspective view of a bandsaw blade grinding apparatus mounting plate according to our new design;

FIG. 2 is a front view thereof;

FIG. 3 is a rear view thereof;

FIG. 4 is a top view thereof;

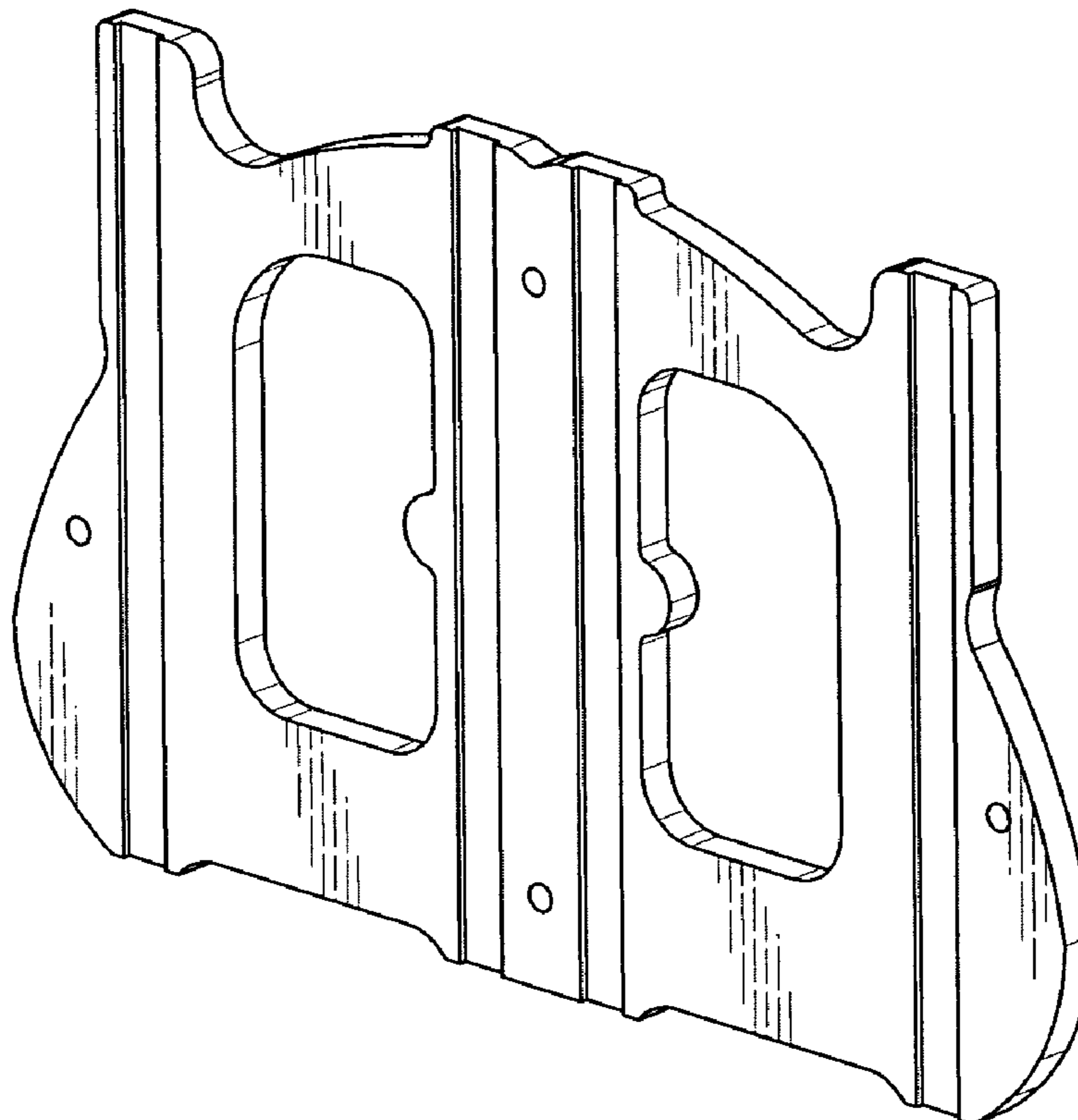
FIG. 5 is a bottom view thereof;

FIG. 6 is a right side view thereof, a left side view of the bandsaw blade grinding apparatus mounting plate being a mirror image of the right side view; and,

FIG. 7 is a rear perspective view.

The broken line showing of standoff pads in FIGS. 3 through 7 is for illustrative purposes only and forms no part of the claimed design.

**1 Claim, 5 Drawing Sheets**



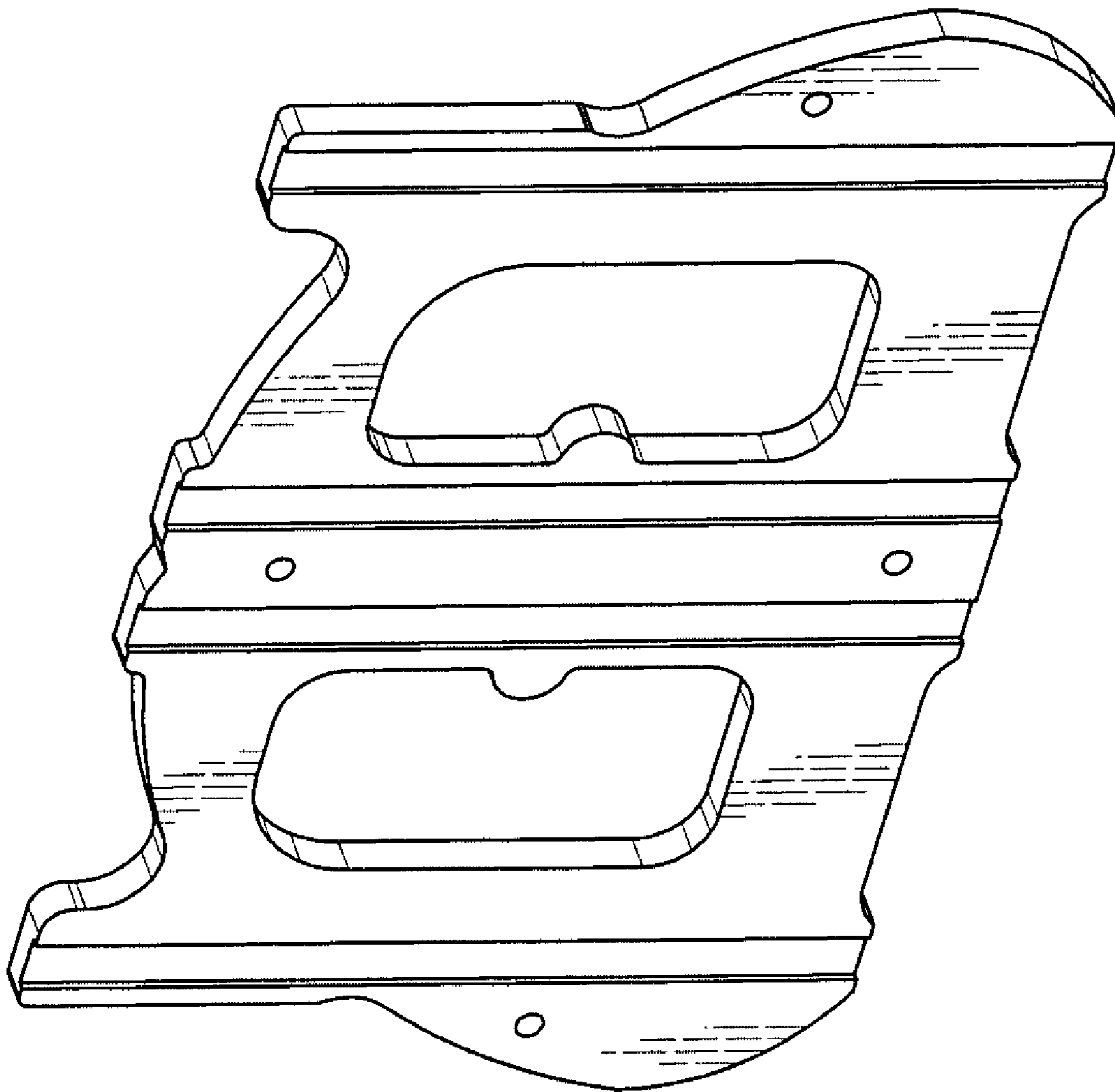


FIG. 1

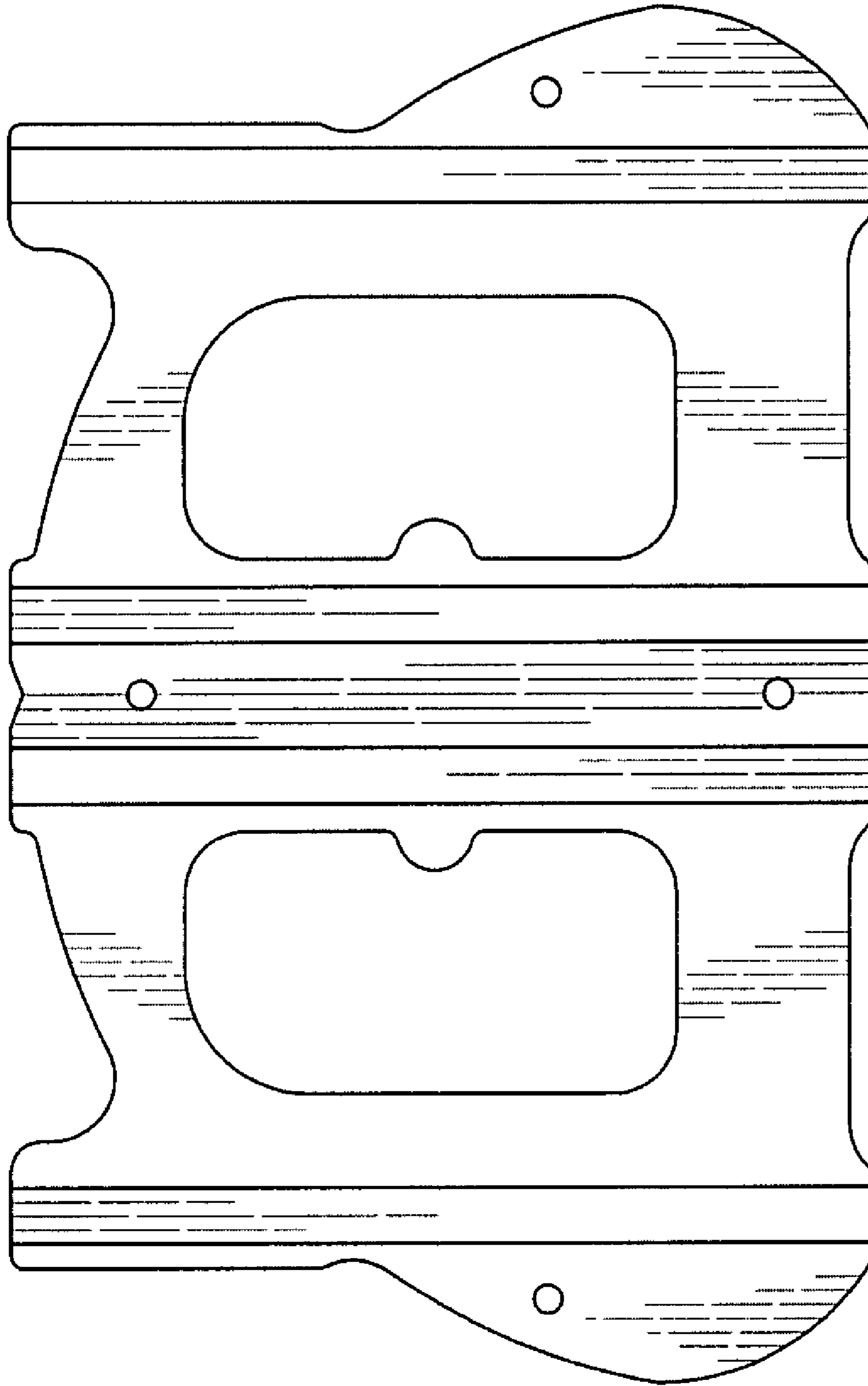


FIG. 2

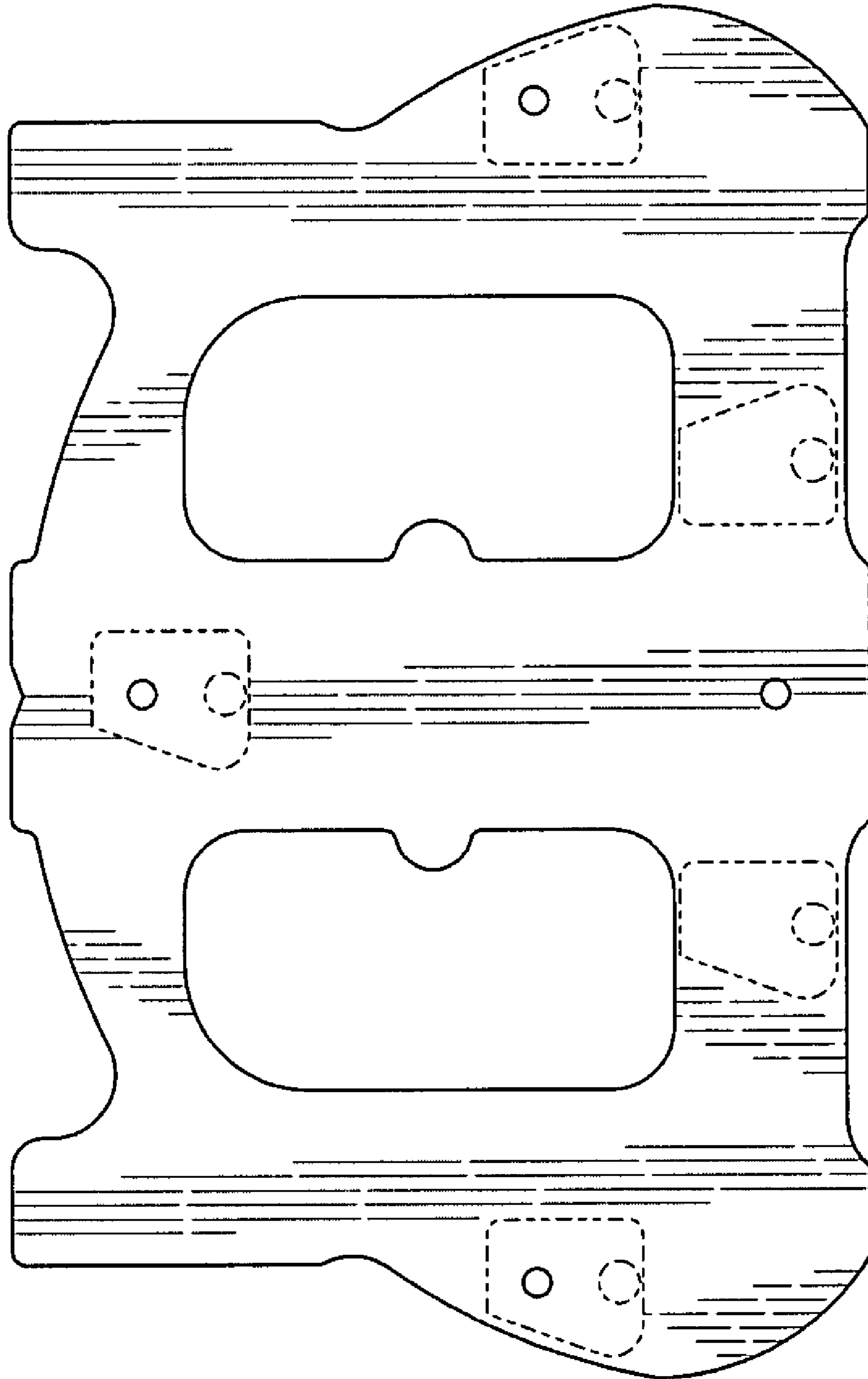


FIG. 3

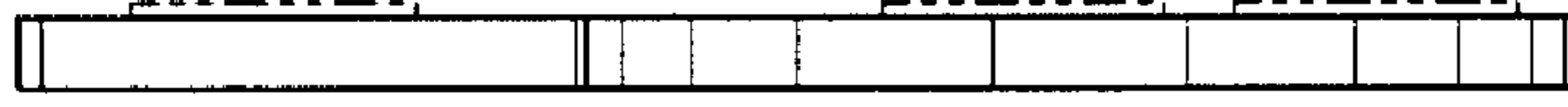


FIG. 6

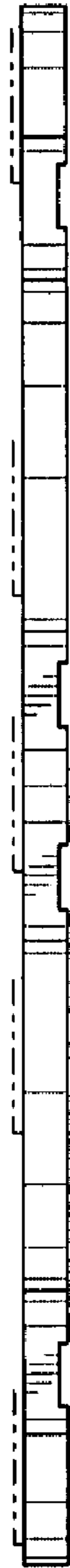


FIG. 4



FIG. 5

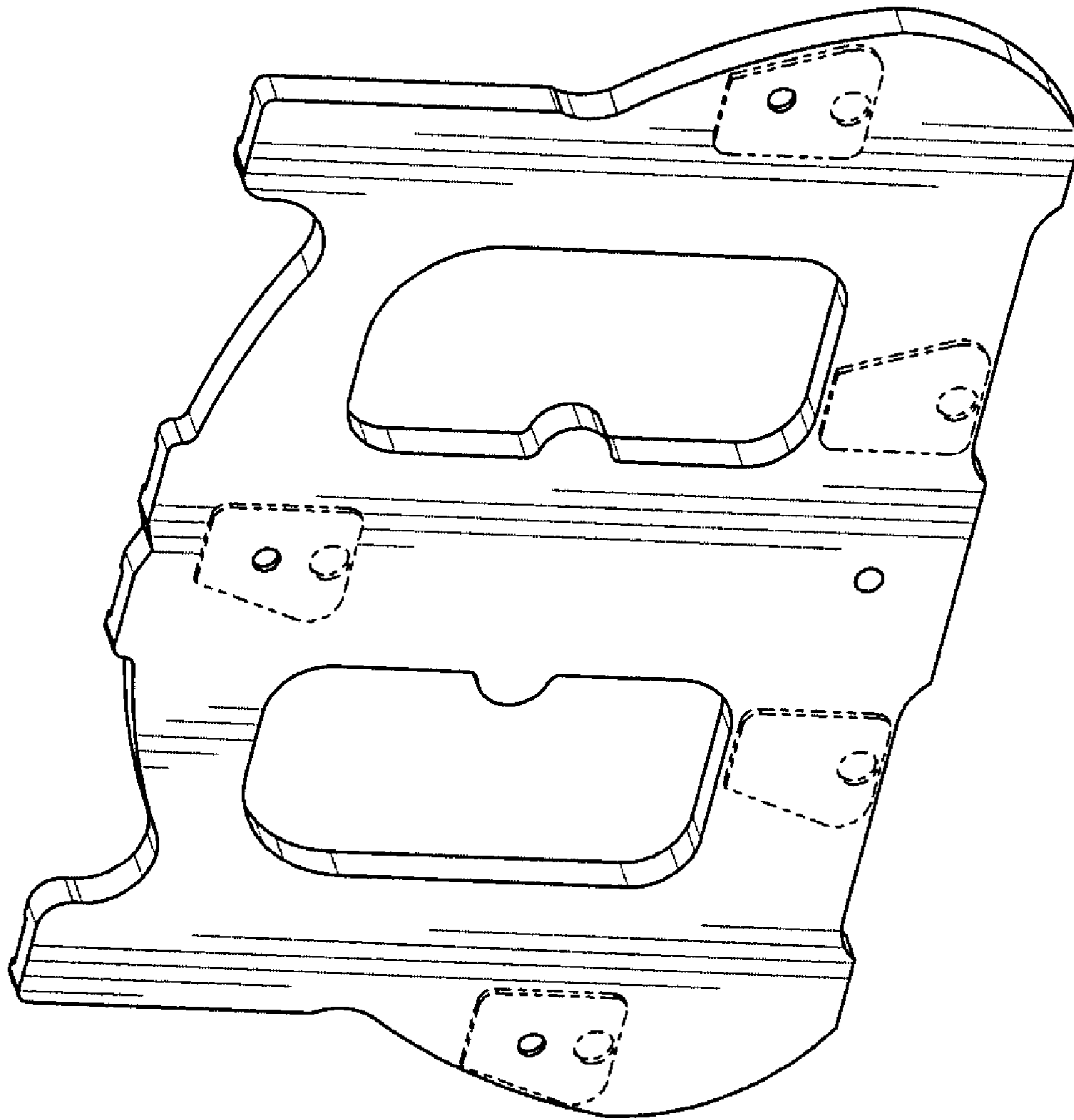


FIG. 7