

US00D564863S

(12) **United States Design Patent**
Grevis et al.

(10) **Patent No.:** **US D564,863 S**

(45) **Date of Patent:** **** Mar. 25, 2008**

(54) **SOLENOID ACTUATED LOCK BRACKET**

(75) Inventors: **Gary John Grevis**, Nerang (AU);
Robert Paul Frankham, Tallebudgera (AU)

(73) Assignee: **UES (Int'l) Pty Ltd.**, Lidcombe (AU)

(**) Term: **14 Years**

(21) Appl. No.: **29/266,993**

(22) Filed: **Oct. 2, 2006**

(30) **Foreign Application Priority Data**

Mar. 31, 2006 (AU) 11443/06

(51) **LOC (8) Cl.** **08-05**

(52) **U.S. Cl.** **D8/354**

(58) **Field of Classification Search** D8/354,
D8/330; 292/208, 340

See application file for complete search history.

(56) **References Cited**

U.S. PATENT DOCUMENTS

5,927,774 A * 7/1999 Granger 292/340

D456,691 S * 5/2002 Bergin D8/354
D463,247 S * 9/2002 Weirnerman et al. D8/330
D471,426 S * 3/2003 Weirnerman et al. D8/330
D486,727 S * 2/2004 Smith et al. D8/375

* cited by examiner

Primary Examiner—Holly H. Baynham

(74) *Attorney, Agent, or Firm*—Ruden McClosky; Stanley A. Kim

(57) **CLAIM**

The ornamental design for a solenoid actuated lock bracket, as shown and described.

DESCRIPTION

FIG. 1 is a perspective view from below of a solenoid actuated lock bracket, showing our new design.

FIG. 2 is a perspective view from above thereof.

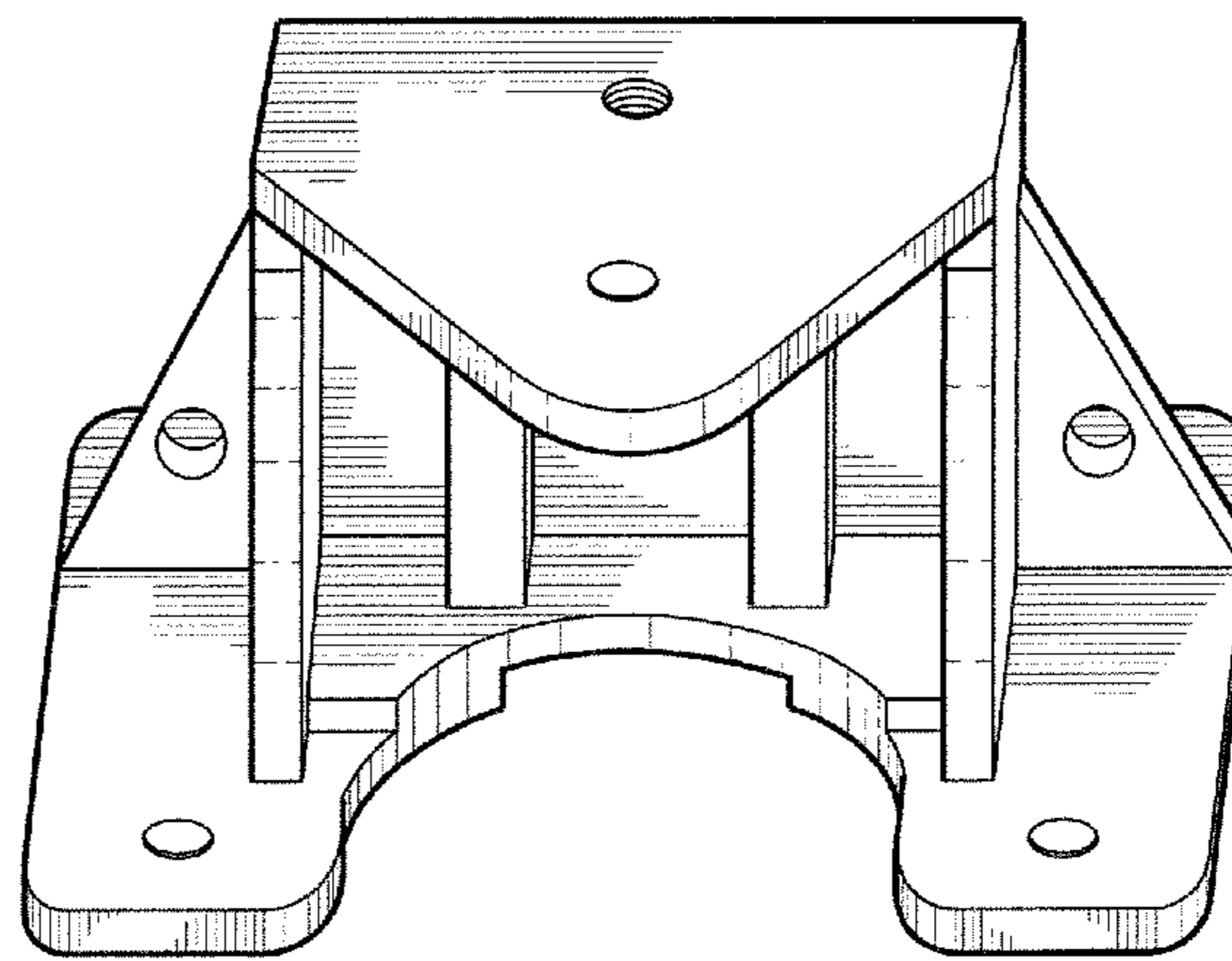
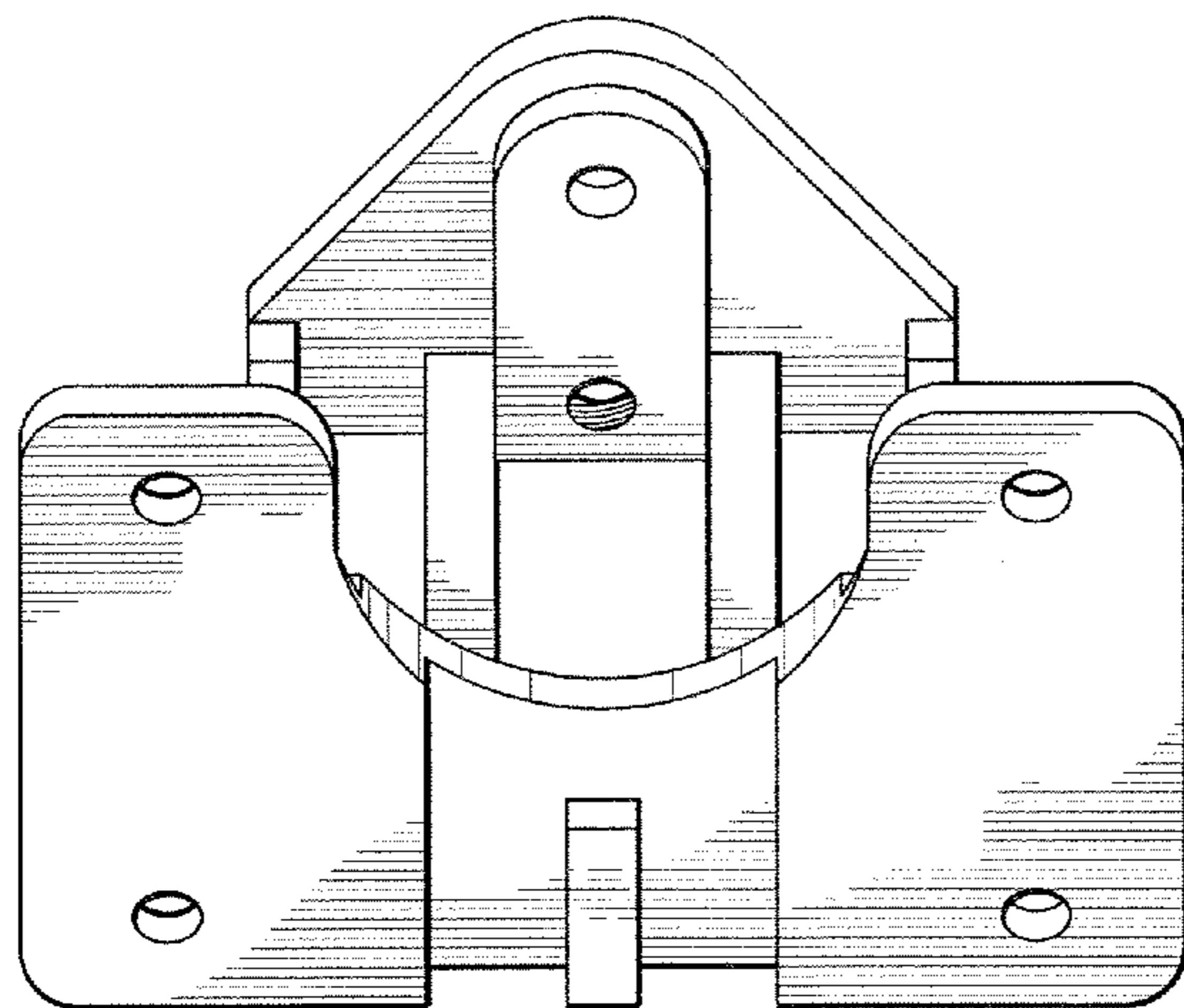
FIG. 3 is a top view thereof.

FIG. 4 is a bottom view thereof.

FIG. 5 is a front view thereof; and,

FIG. 6 is a side view thereof.

1 Claim, 3 Drawing Sheets



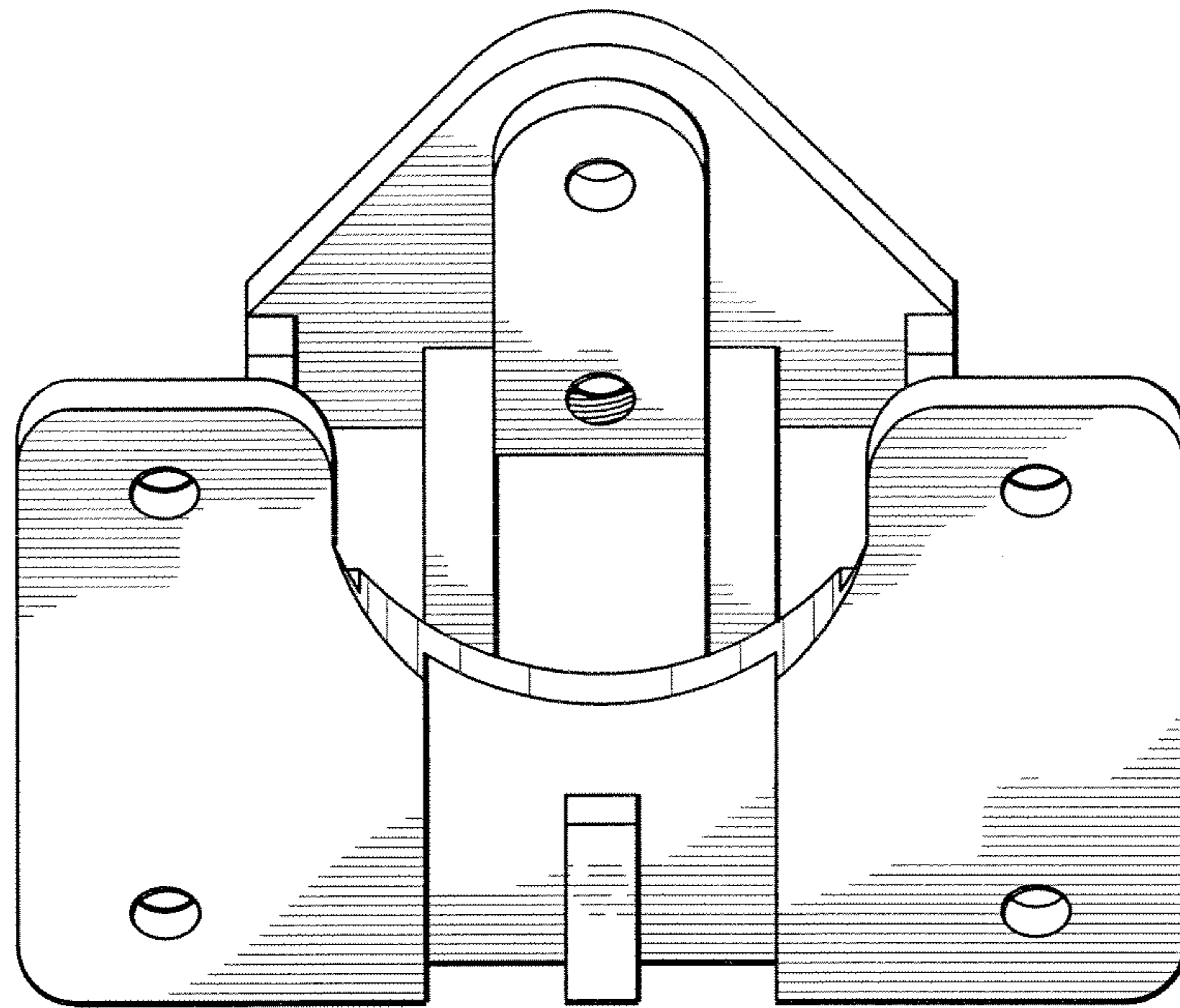


FIG. 1

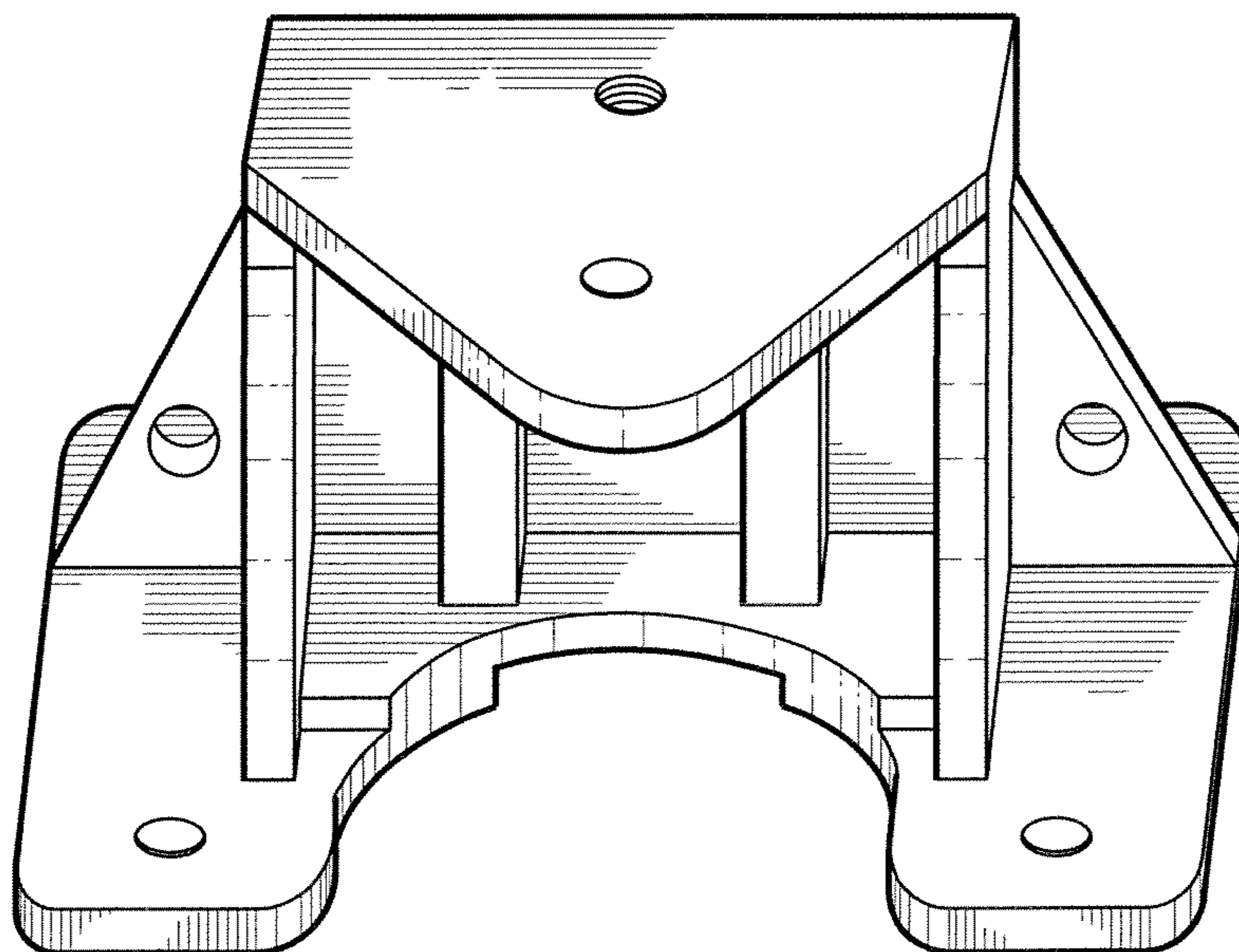


FIG. 2

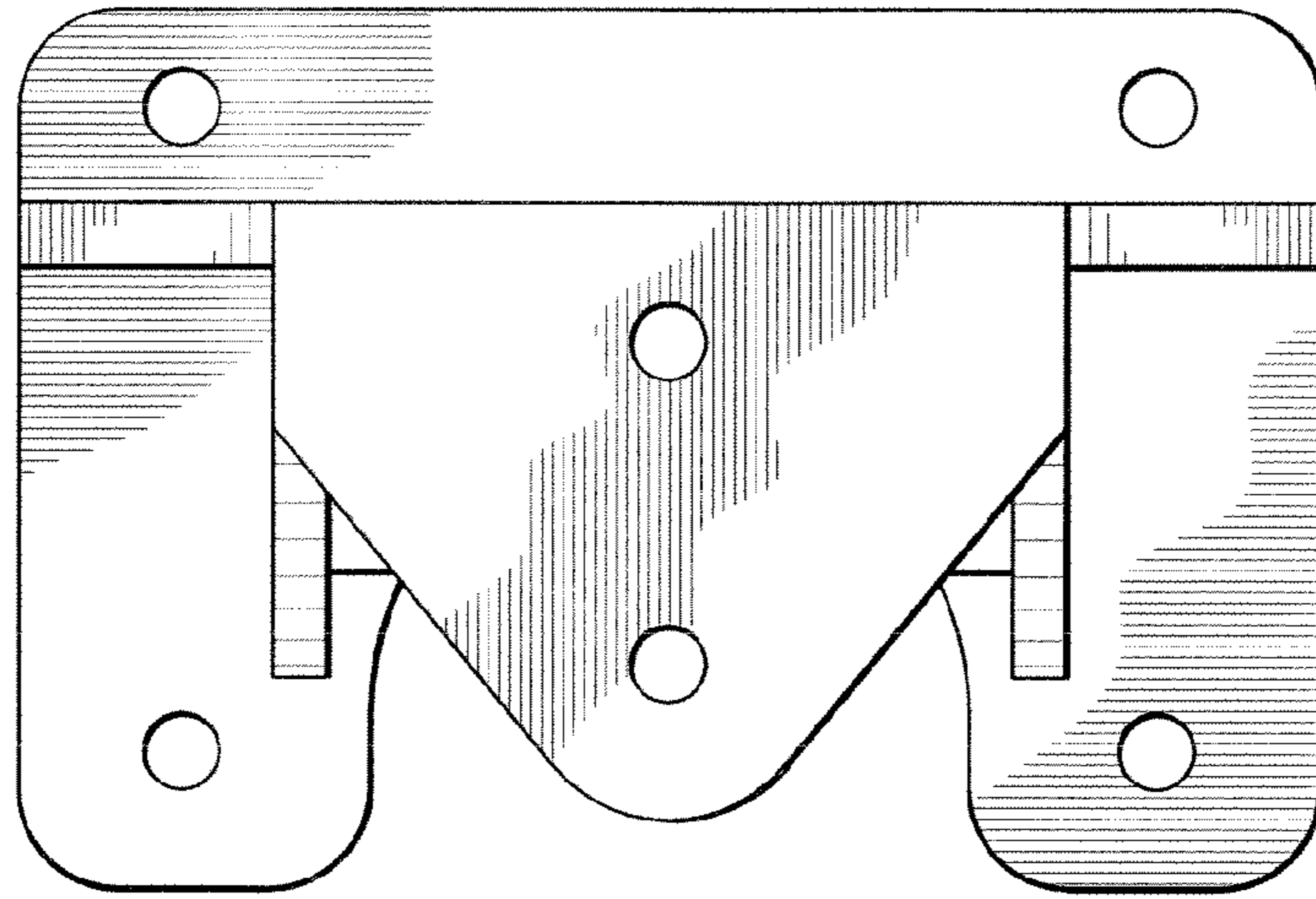


FIG. 3

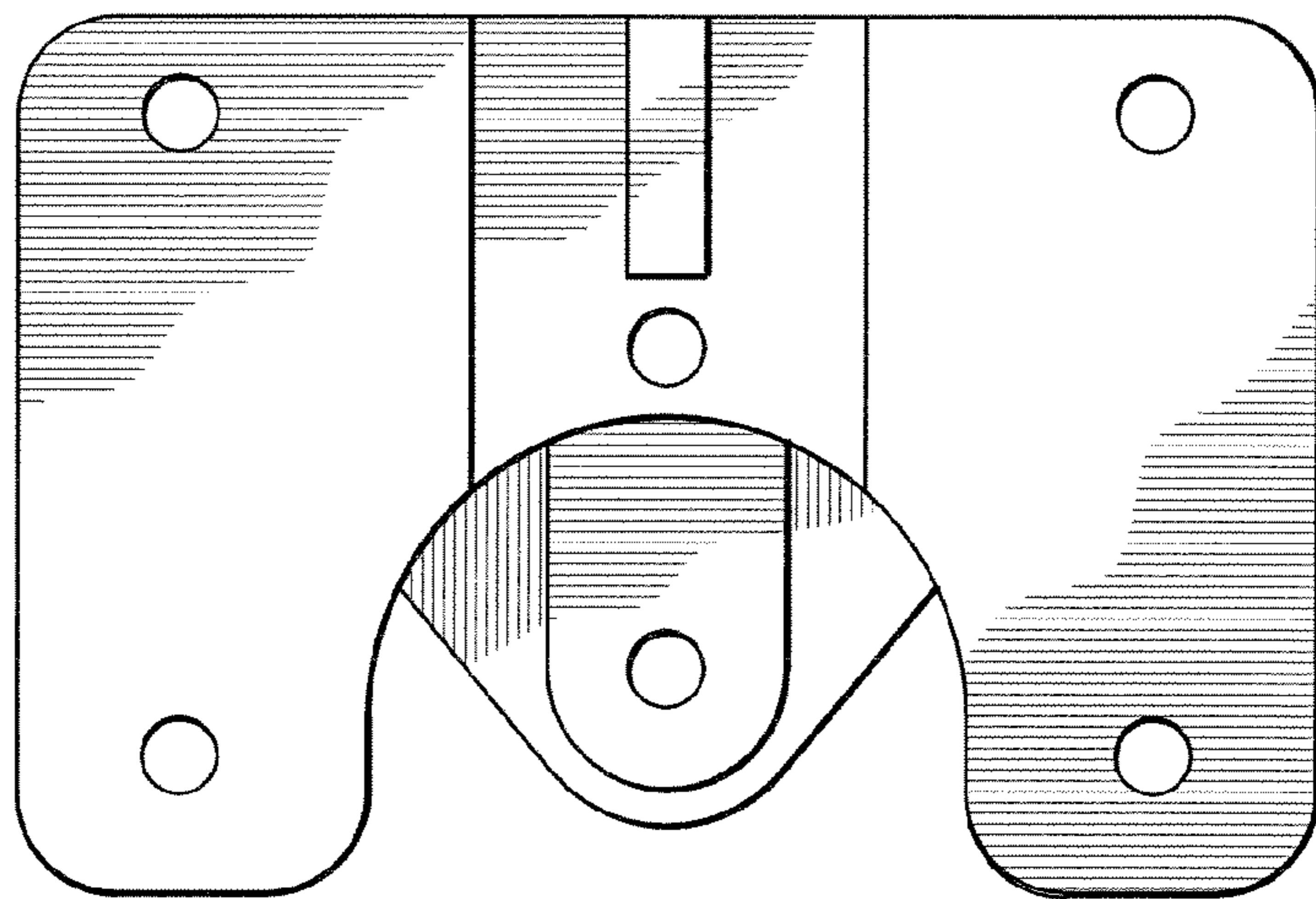


FIG. 4

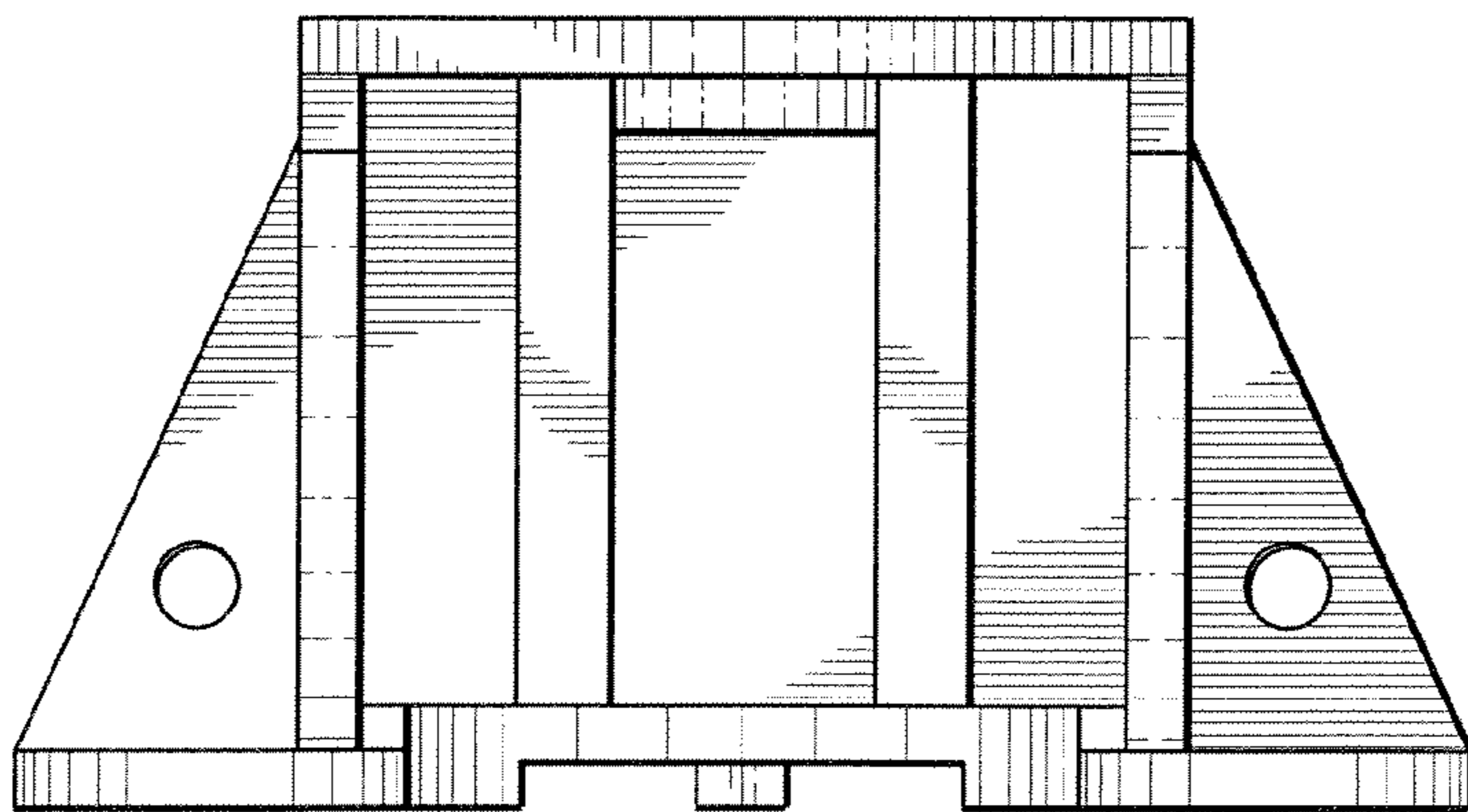


FIG. 5

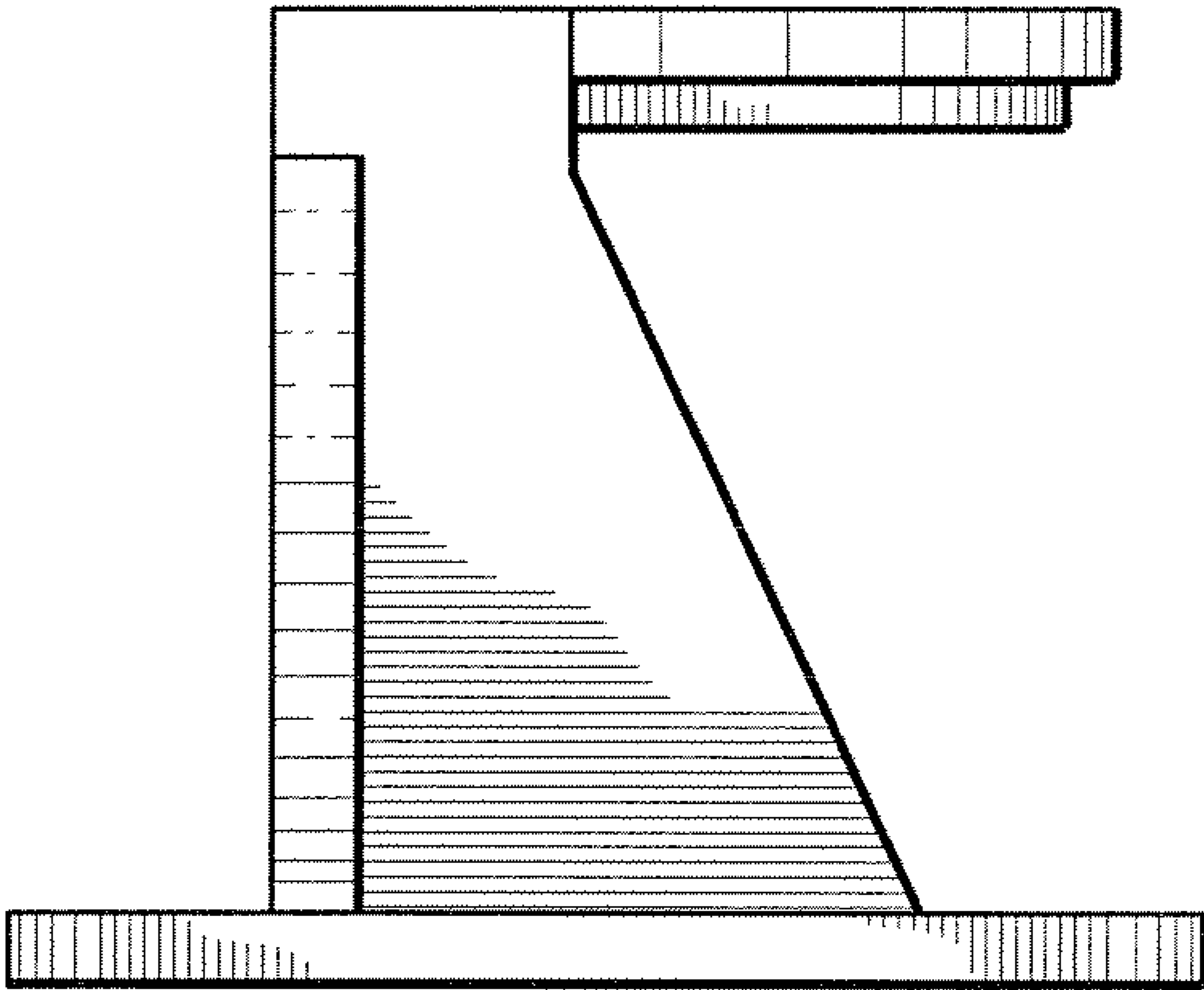


FIG. 6