

US00D564860S

(12) **United States Design Patent**  
**Levin et al.**

(10) **Patent No.:** **US D564,860 S**  
(45) **Date of Patent:** **\*\* Mar. 25, 2008**

(54) **WALLPLATE COVER WITH INTEGRAL POCKET**

D416,908 S \* 11/1999 Whisenant ..... D14/217  
6,969,803 B1 \* 11/2005 Friedberg ..... 174/66

(76) Inventors: **Gregg M. Levin**, 200 Lincoln St., 5th Floor, Boston, MA (US) 02111; **Eric Friedberg**, 130 Crafts St., Newton, MA (US) 02111

\* cited by examiner

*Primary Examiner*—Stella M. Reid  
*Assistant Examiner*—Mark Goodwin  
(74) *Attorney, Agent, or Firm*—William Nitkin

(\*\*) Term: **14 Years**

(21) Appl. No.: **29/273,355**

(22) Filed: **Mar. 2, 2007**

(51) **LOC (8) Cl.** ..... **11-05**

(52) **U.S. Cl.** ..... **D8/350; D8/353**

(58) **Field of Classification Search** ..... D8/350–353;  
D10/108, 123, 125; D13/156, 158, 162,  
D13/169, 171, 174, 177, 184; 200/304, 330;  
250/462.1; 220/241; 174/66, 67  
See application file for complete search history.

(56) **References Cited**

**U.S. PATENT DOCUMENTS**

4,339,045 A \* 7/1982 Bodin ..... 211/85.9  
D323,285 S \* 1/1992 Thomson ..... D8/372  
D350,278 S \* 9/1994 Figueroa ..... D8/353

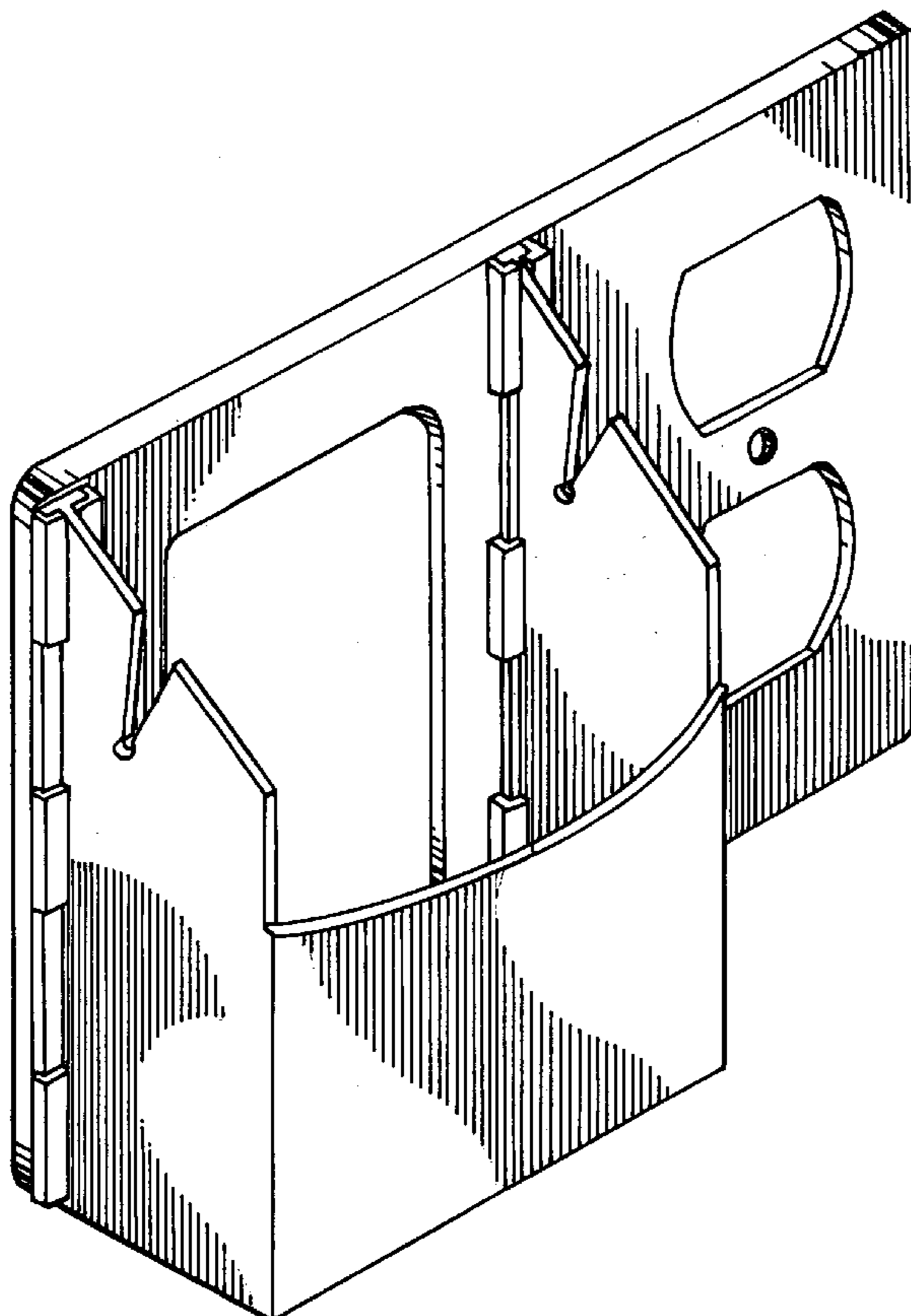
(57) **CLAIM**

The ornamental design for a wallplate cover with integral pocket, as shown and described.

**DESCRIPTION**

FIG. 1 is a front elevational view of a wallplate cover with integral pocket showing our new design;  
FIG. 2 is a rear elevational view thereof;  
FIG. 3 is a top plan view thereof;  
FIG. 4 is a bottom plan view thereof;  
FIG. 5 is a left elevational view thereof;  
FIG. 6 is a right elevational view thereof; and,  
FIG. 7 is a perspective view thereof.

**1 Claim, 6 Drawing Sheets**



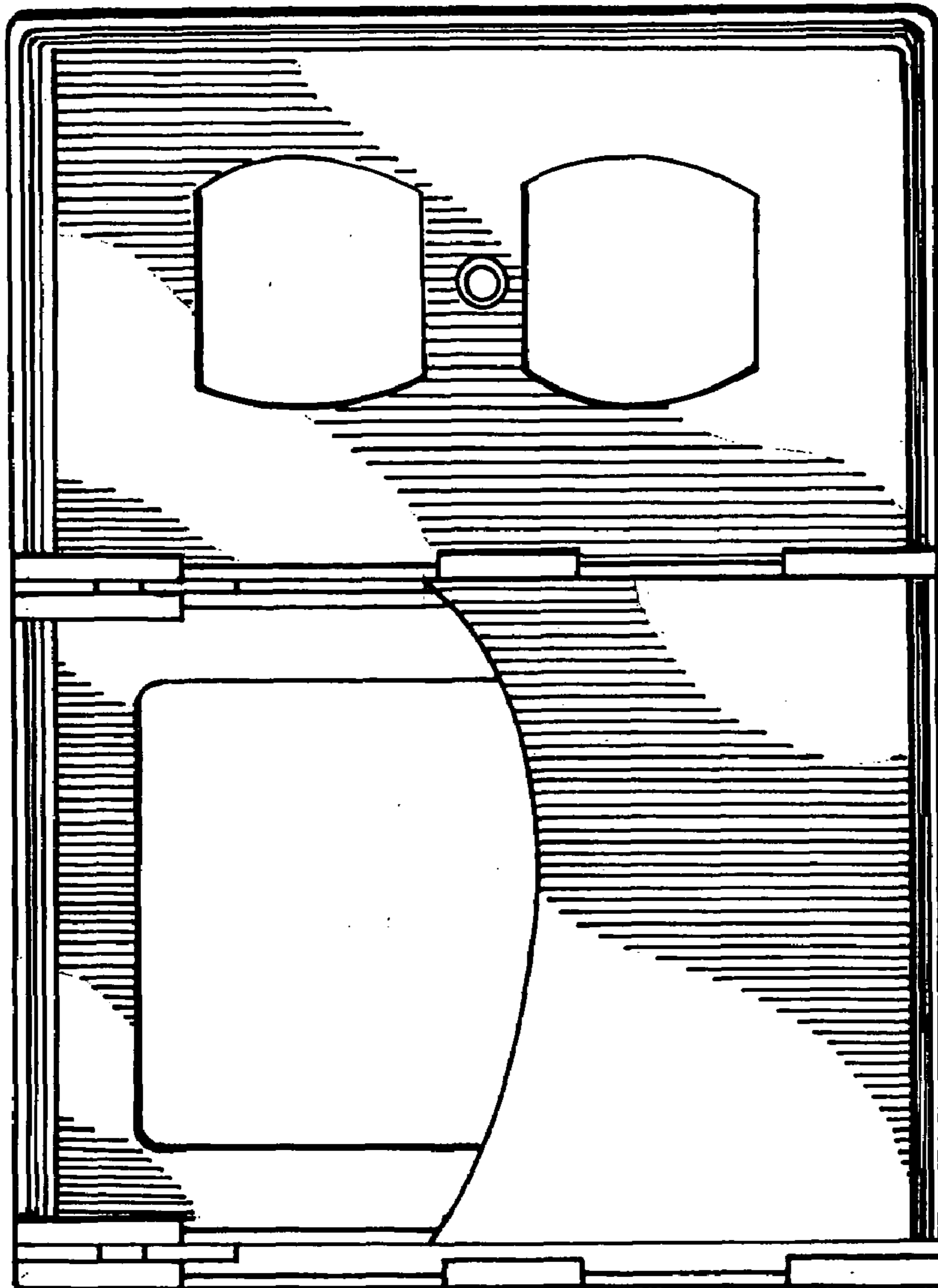


FIG. 1

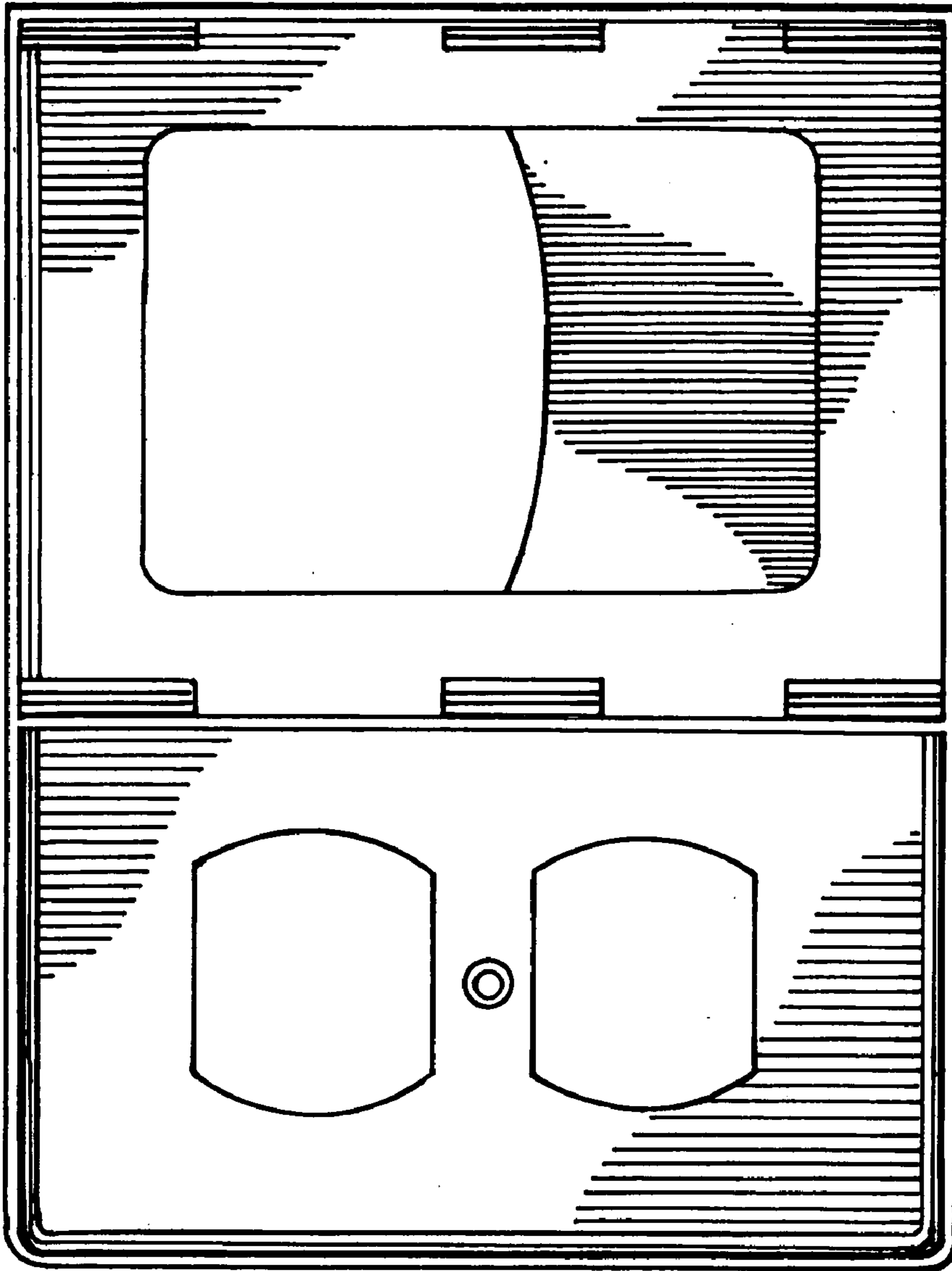


FIG. 2

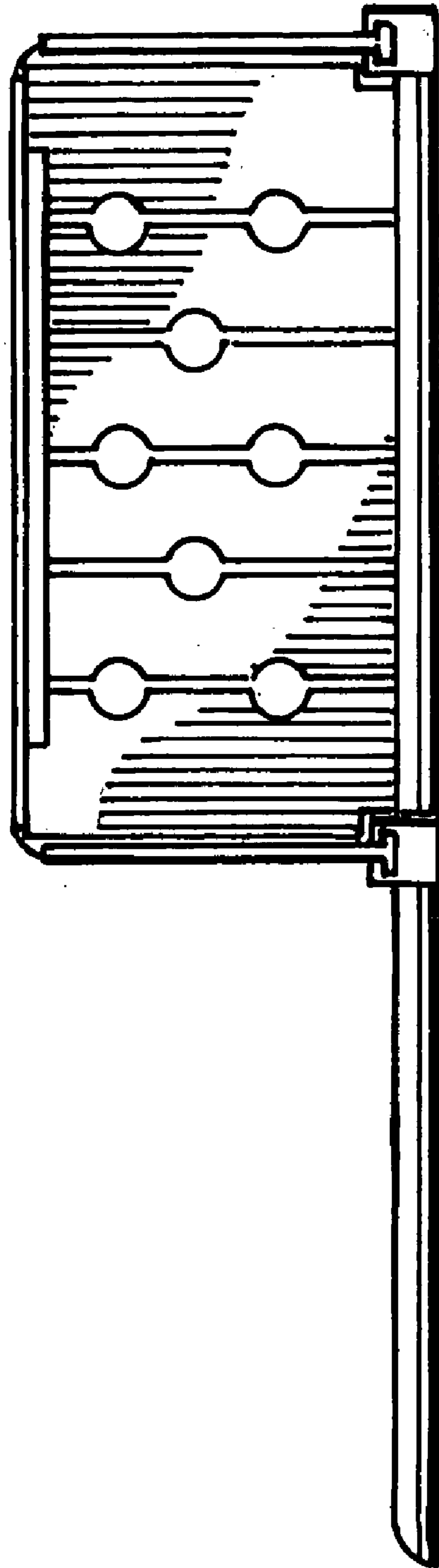


FIG. 3

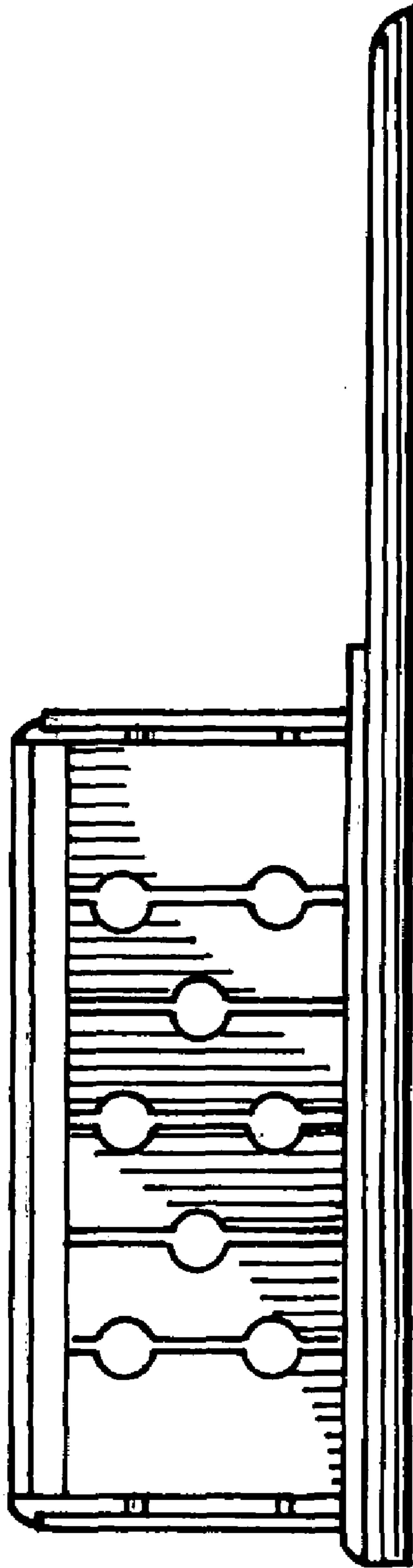


FIG. 4

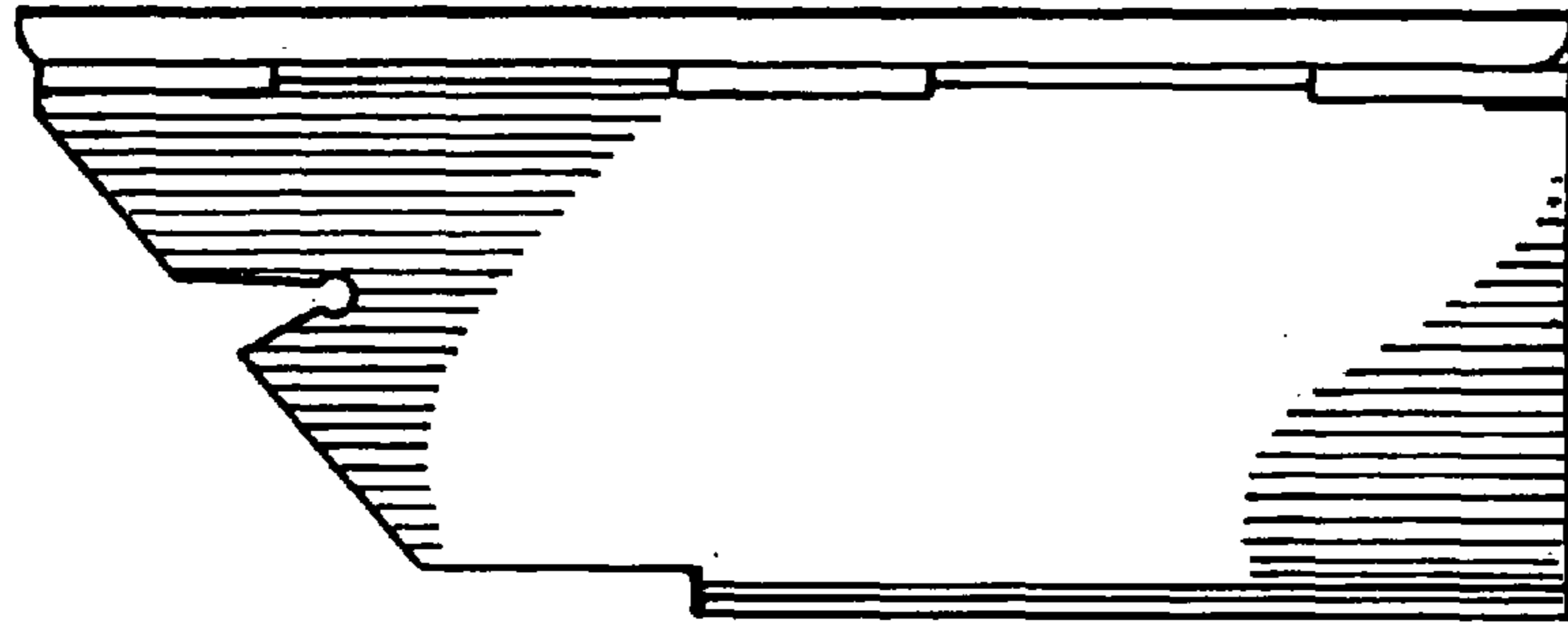


FIG. 6

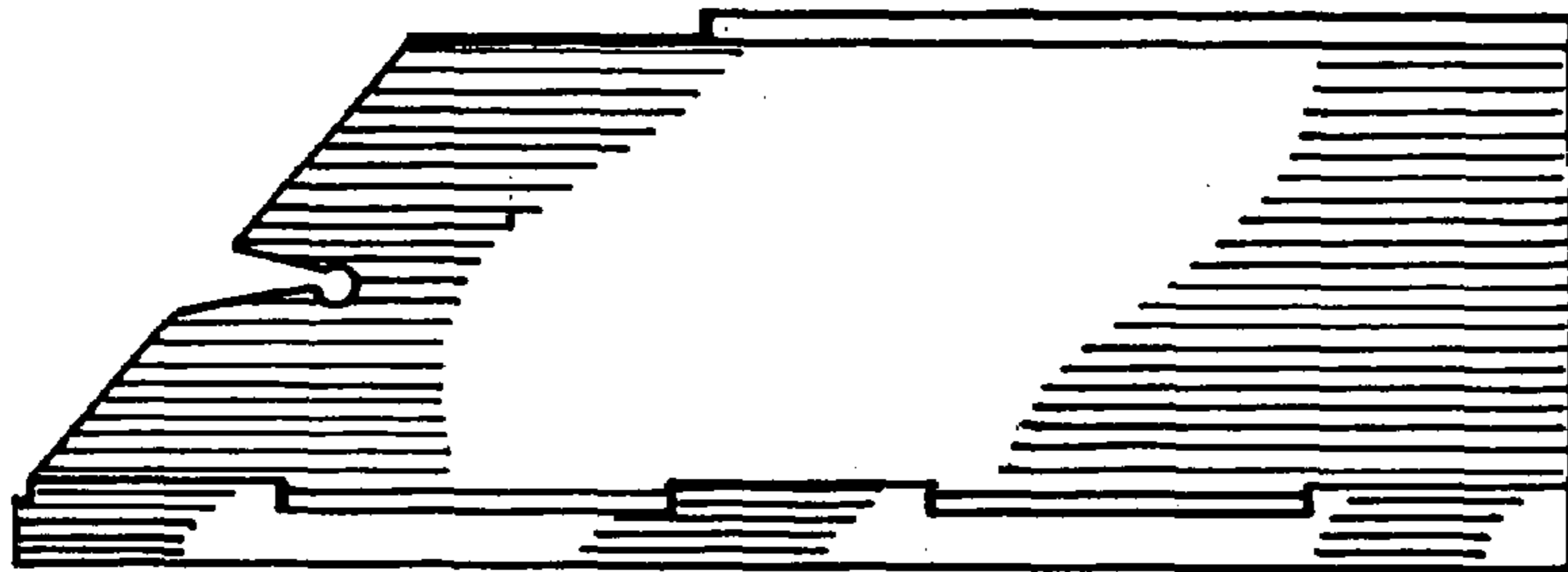


FIG. 5

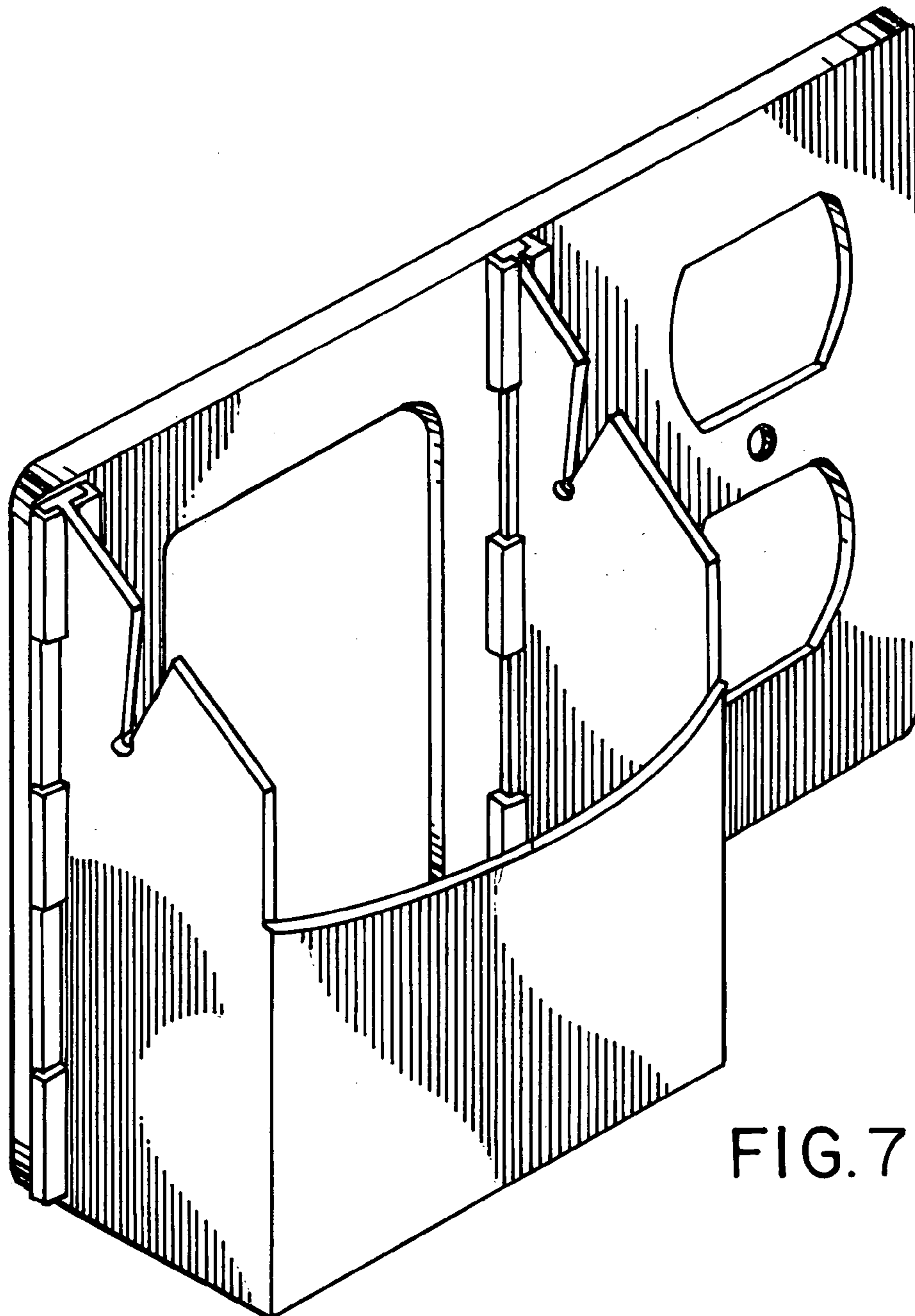


FIG. 7