



US00D564859S

(12) **United States Design Patent**
Brojanac et al.

(10) **Patent No.:** **US D564,859 S**
(45) **Date of Patent:** **** Mar. 25, 2008**

(54) **LOCKOUT DEVICE**

(75) Inventors: **Michael Brojanac**, Jackson, WI (US);
D. Scott Kalous, Kenosha, WI (US)

(73) Assignee: **Master Lock Company LLC**, Oak
Creek, WI (US)

(**) Term: **14 Years**

(21) Appl. No.: **29/272,322**

(22) Filed: **Feb. 6, 2007**

(51) **LOC (8) Cl.** **08-07**

(52) **U.S. Cl.** **D8/330; D13/178**

(58) **Field of Classification Search** **D8/330-348;**
D13/173, 178; 200/43.01, 43.19, 43.21,
200/43.14, 43.15

See application file for complete search history.

(56) **References Cited**

U.S. PATENT DOCUMENTS

4,347,412 A	8/1982	Mihara et al.	
4,704,504 A	11/1987	Jones et al.	
5,079,390 A	1/1992	Costanzo et al.	
5,147,991 A	9/1992	Jordan, Sr.	
D331,390 S	12/1992	Weinstein	
5,300,740 A	4/1994	Benda	
D365,547 S *	12/1995	Steinwachs et al.	D13/178
5,500,495 A *	3/1996	Benda et al.	200/43.14
5,732,815 A	3/1998	Brouwer	
5,868,242 A	2/1999	Hall et al.	
6,388,213 B1	5/2002	Letient et al.	
6,617,532 B1	9/2003	Turek	

6,696,651 B1	2/2004	Koopmeiners et al.	
6,727,441 B2	4/2004	Benda	
6,737,594 B2	5/2004	Helms et al.	
6,791,040 B1	9/2004	Puhalla et al.	
6,940,027 B1	9/2005	Sipe	
D535,629 S	1/2007	Kalous et al.	
7,262,376 B2 *	8/2007	Brojanac et al.	200/43.14
2004/0074744 A1	4/2004	Helms et al.	
2006/0266631 A1	11/2006	Kalous et al.	

* cited by examiner

Primary Examiner—Mitchell Siegel

(74) *Attorney, Agent, or Firm*—Calfee, Halter & Griswold
LLP

(57) **CLAIM**

We claim the ornamental design for a lockout device, as
shown and described.

DESCRIPTION

FIG. 1 is a perspective view of a lockout device made in
accordance with an embodiment of the new design;

FIG. 2 is a front elevation view of the lockout device of FIG.
1;

FIG. 3 is a rear view of the lockout device of FIG. 1;

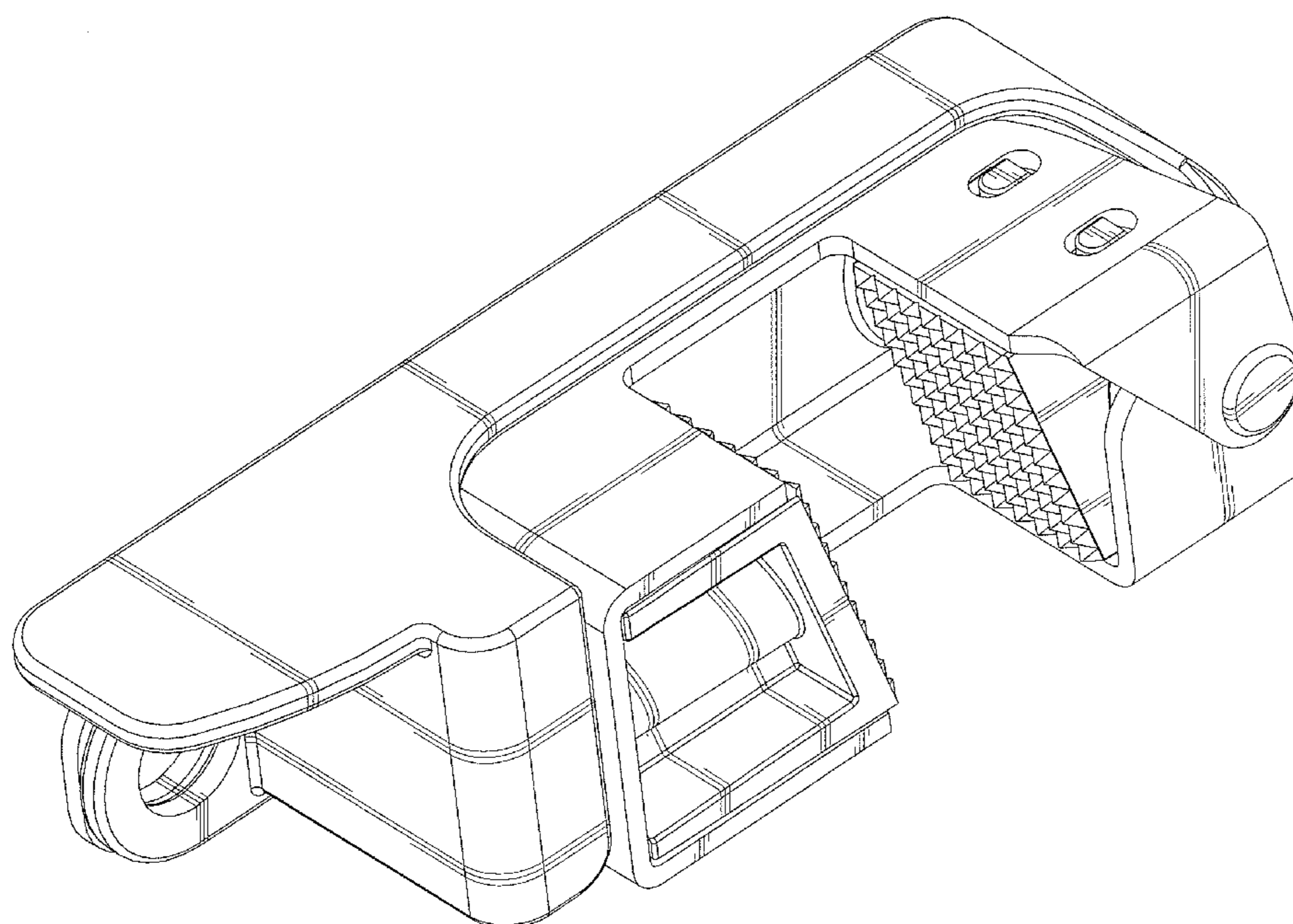
FIG. 4 is a left side view of the lockout device of FIG. 1;

FIG. 5 is a right side view of the lockout device of FIG. 1;

FIG. 6 is a top view of the lockout device of FIG. 1; and,

FIG. 7 is a bottom view of the lockout device of FIG. 1.

1 Claim, 4 Drawing Sheets



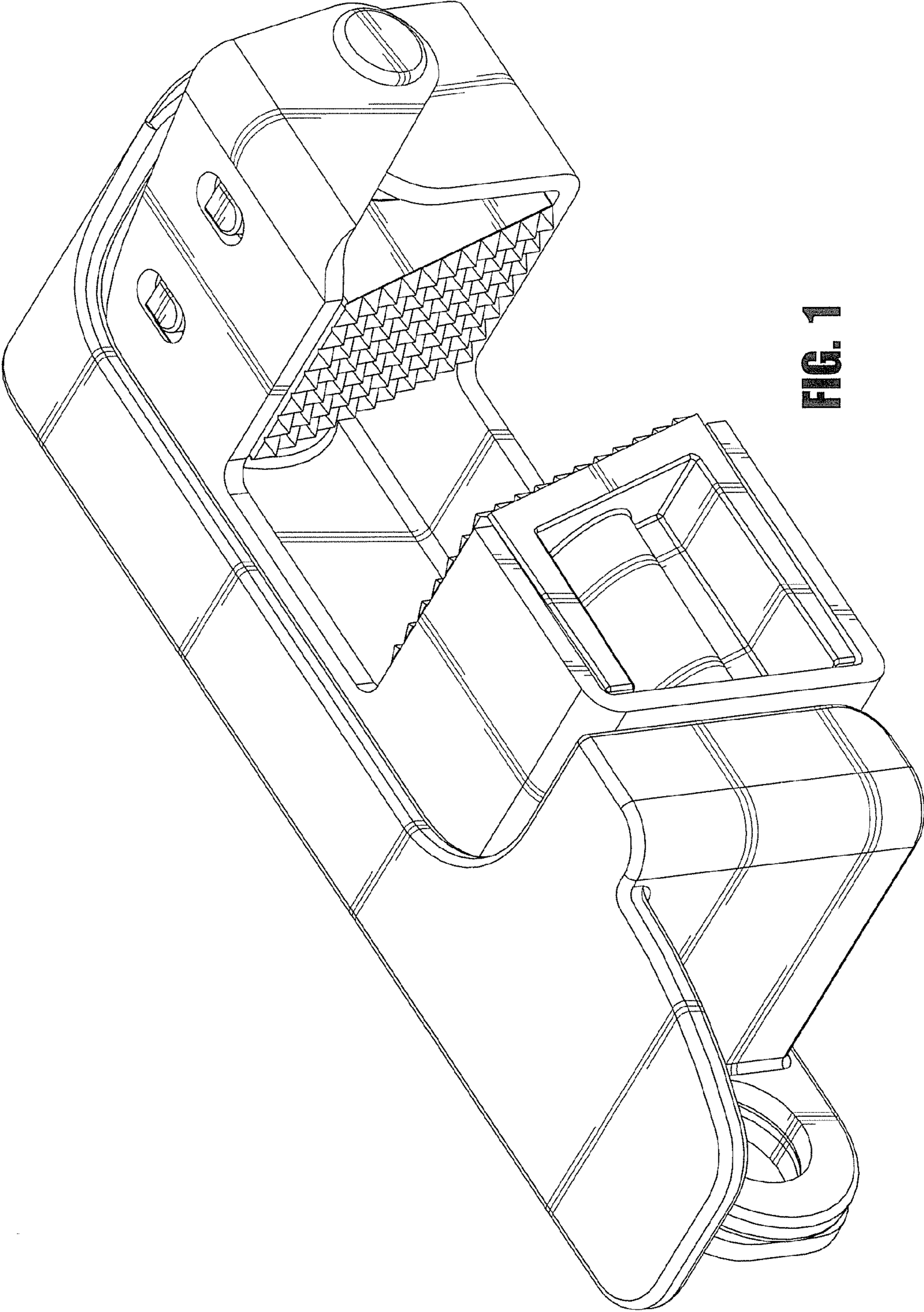


FIG. 1

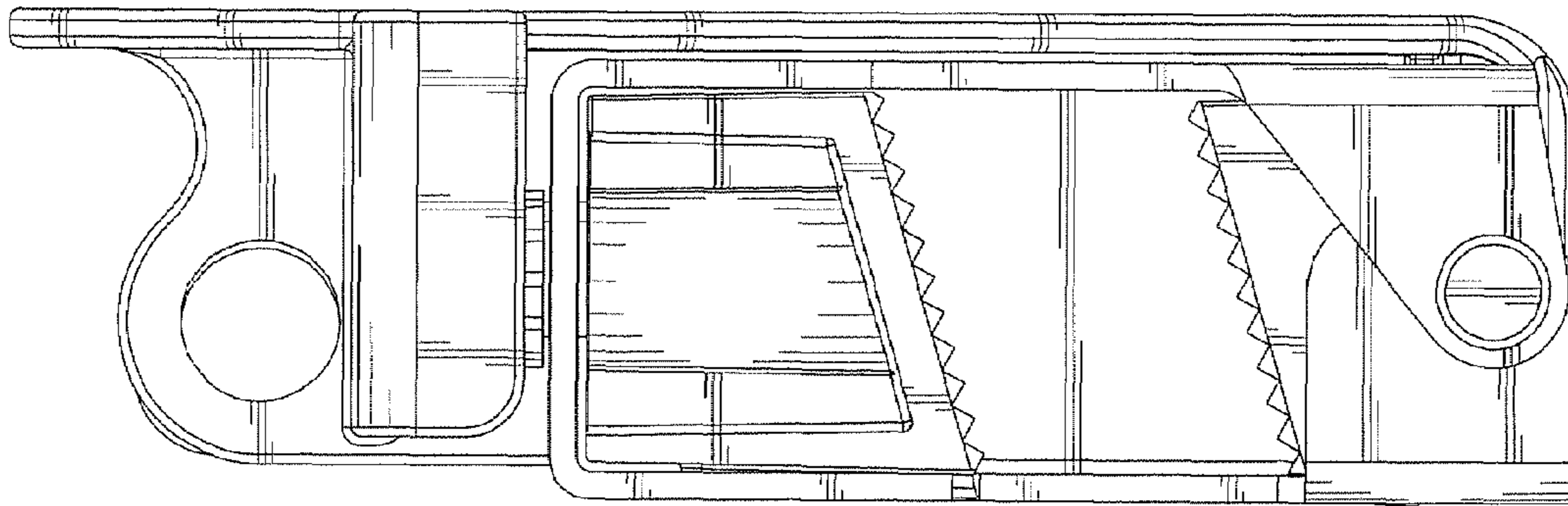


FIG. 2

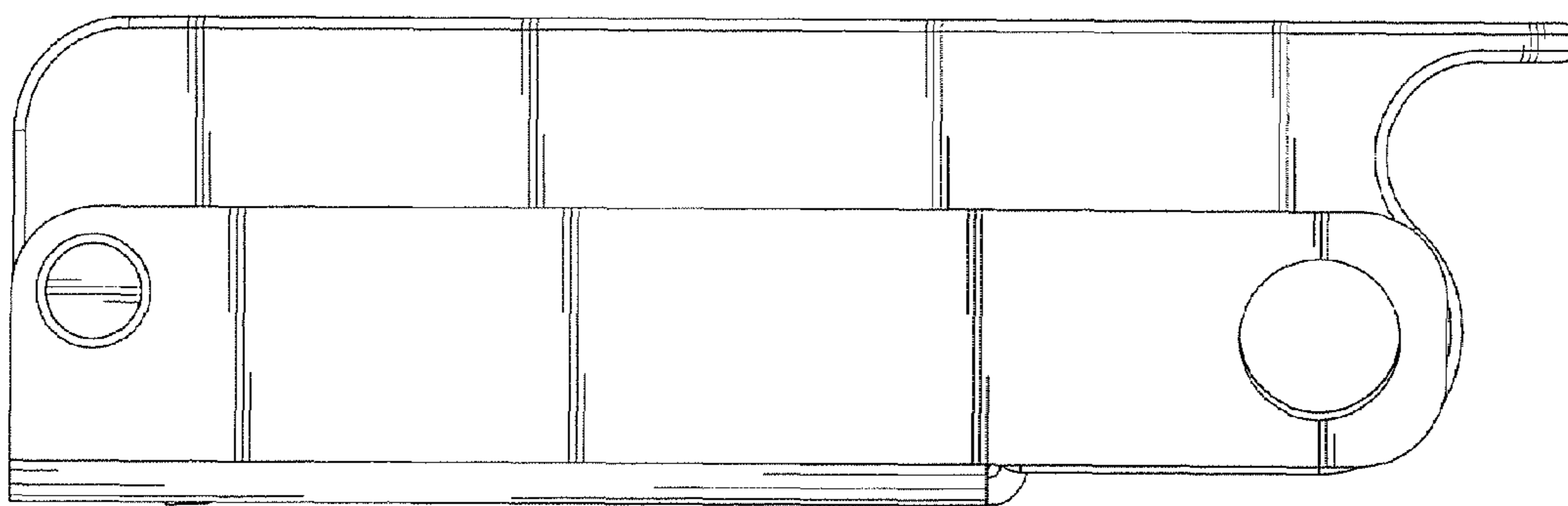


FIG. 3

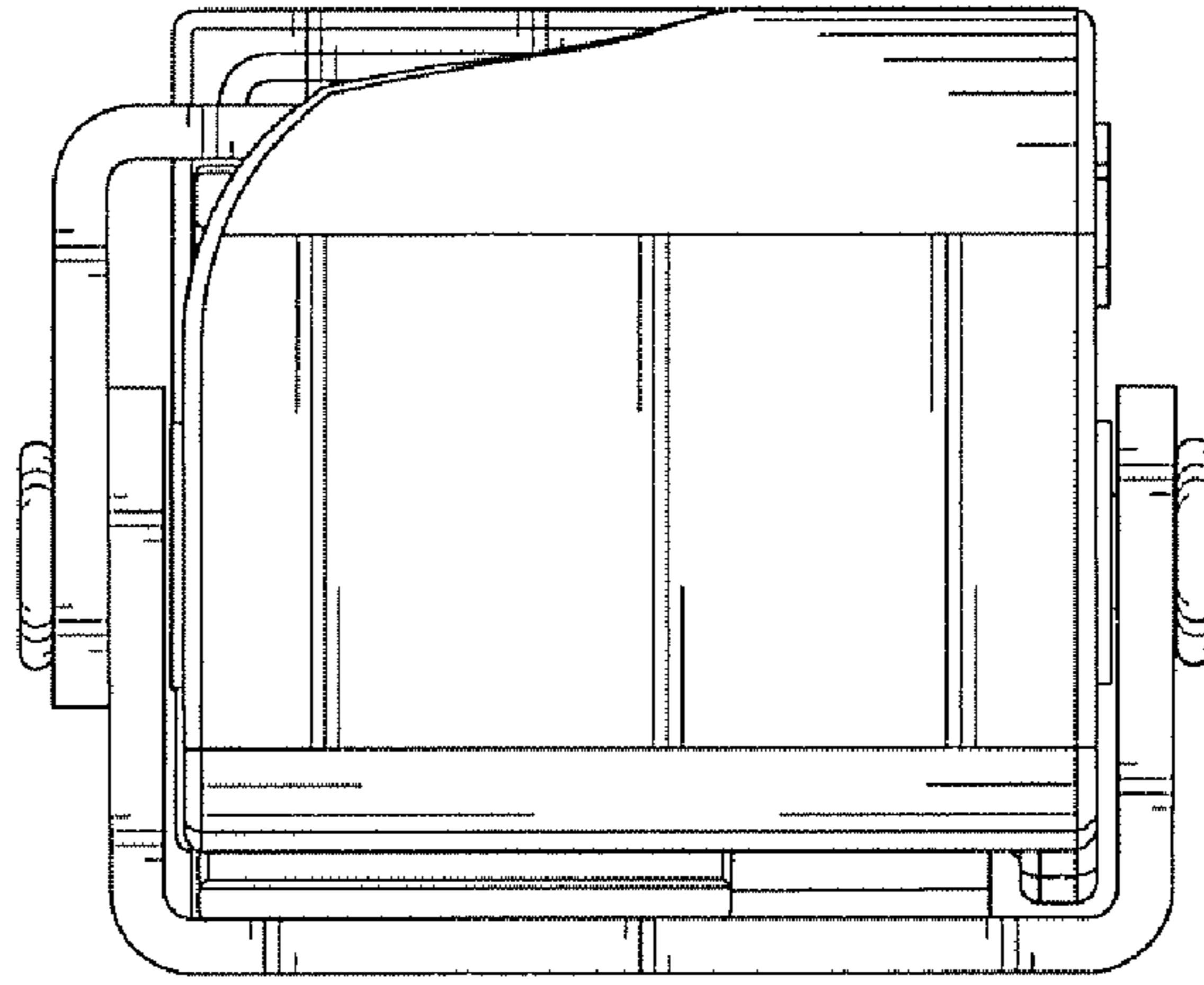


FIG. 4

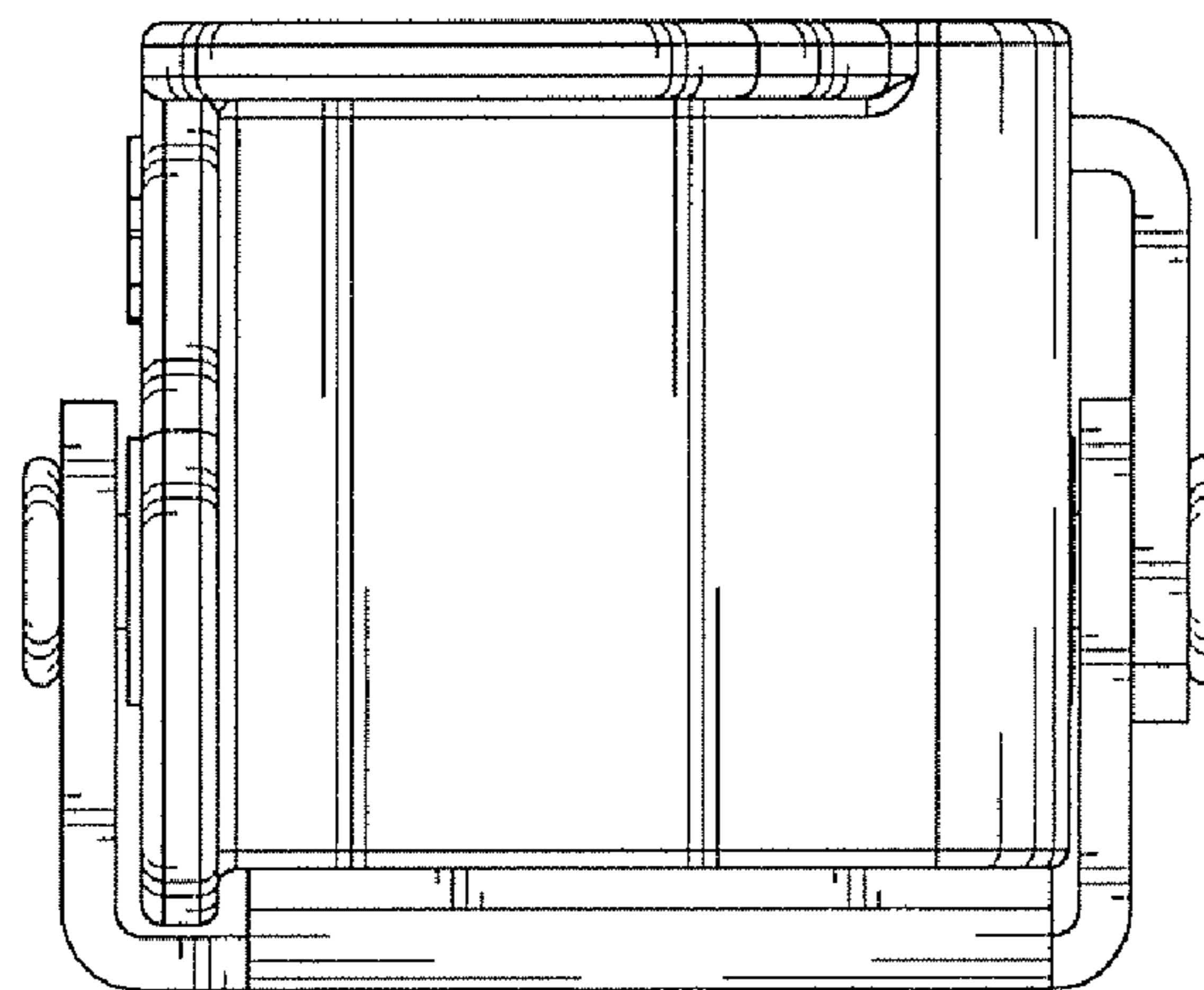


FIG. 5

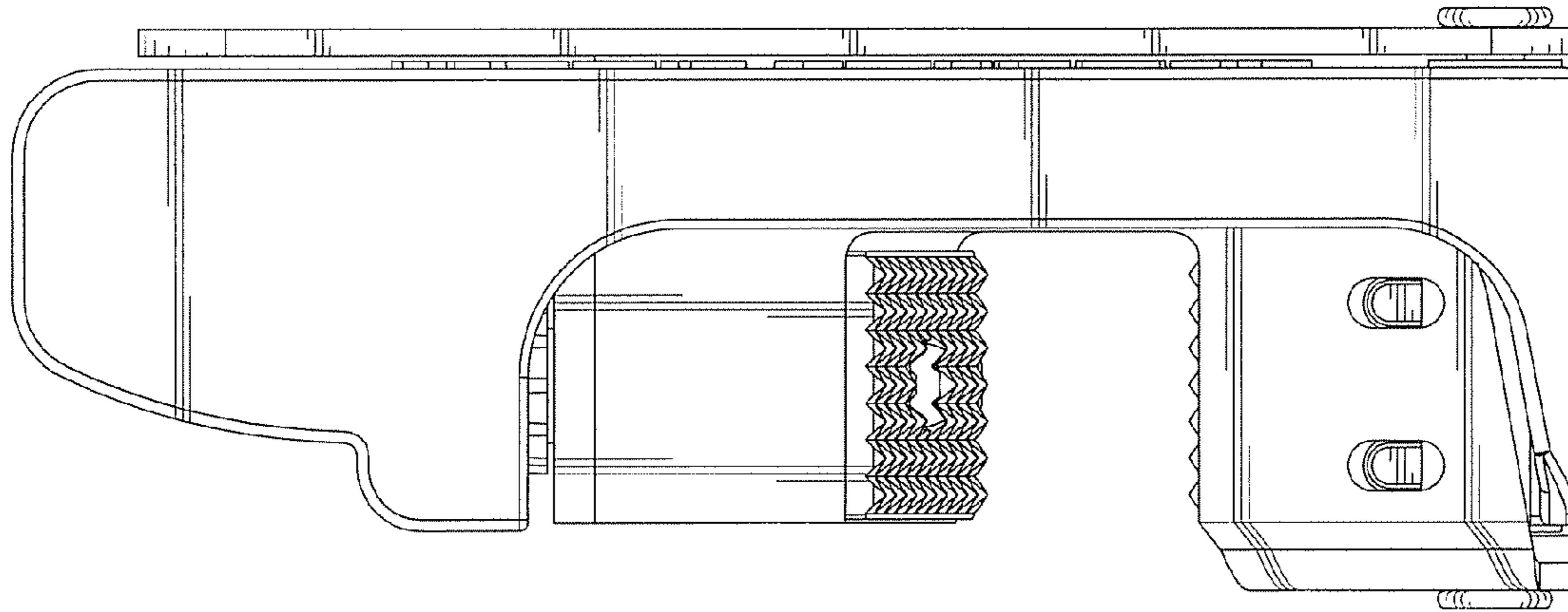


FIG. 6

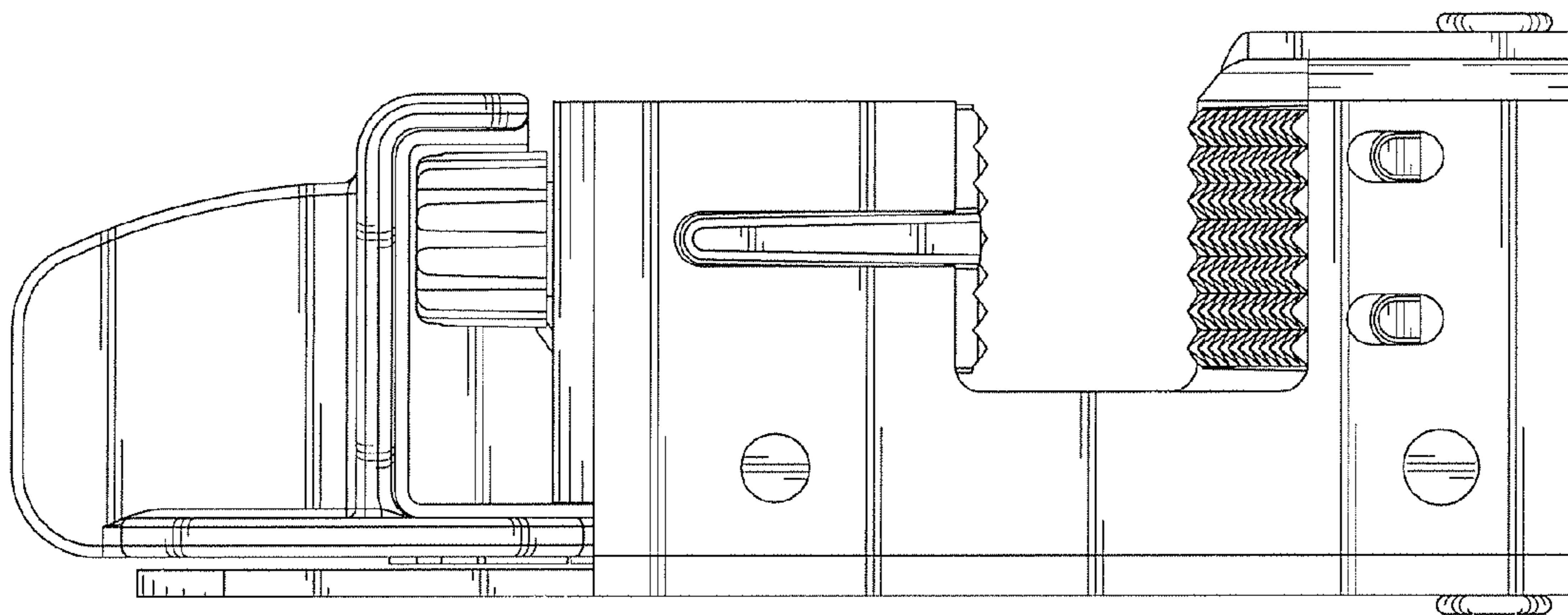


FIG. 7