



US00D564858S

(12) **United States Design Patent**
Radulescu

(10) **Patent No.:** **US D564,858 S**
(45) **Date of Patent:** **** Mar. 25, 2008**

(54) **HINGE CONNECTOR**

(75) Inventor: **Adrian Radulescu**, Laval (CA)

(73) Assignee: **Chameleon Transportation Systems Inc.**, Pointe Claire, Quebec (CA)

(**) Term: **14 Years**

(21) Appl. No.: **29/278,425**

(22) Filed: **Mar. 29, 2007**

(51) **LOC (8) Cl.** **08-06**

(52) **U.S. Cl.** **D8/325**

(58) **Field of Classification Search** D8/323-329,
D8/354, 356; 16/221, 234-237, 239-241,
16/245-246, 249, 254, 261, 262, 265, 272,
16/277, 307, 309, 316, 319, 327-330, 335,
16/339, 342, 379, 381-389, DIG. 13, DIG. 40,
16/DIG. 43; D6/580; D25/119; 248/200,
248/221.11, 300, 309.1, 317

See application file for complete search history.

(56) **References Cited**

U.S. PATENT DOCUMENTS

781,905	A *	2/1905	Pfleghar, Jr.	16/387
2,507,937	A *	5/1950	Slavsky et al.	40/650
2,607,411	A *	8/1952	Van Vliet	160/231.2
D187,180	S *	2/1960	Dettinger	D8/327
3,226,920	A *	1/1966	Gilbertson	56/255
3,233,277	A *	2/1966	Hirashiki	16/386
3,387,350	A *	6/1968	Ando	29/11
3,732,653	A *	5/1973	Pickett	52/71
4,330,901	A *	5/1982	Sanders	16/237
4,474,383	A *	10/1984	Kikis	281/45
4,546,522	A *	10/1985	Gygax	24/71 J
4,658,472	A *	4/1987	Grenier	16/225

4,709,121	A *	11/1987	Shores	174/375
D331,631	S *	12/1992	Leith	D25/119
D342,325	S *	12/1993	Underdahl	D25/47
D407,829	S *	4/1999	Collette et al.	D25/119
D448,494	S *	9/2001	Williams	D25/119
6,355,335	B1 *	3/2002	Kulkaski	428/212
6,530,179	B1 *	3/2003	Koons et al.	49/397
D480,820	S *	10/2003	Perkins et al.	D25/119
6,810,562	B1 *	11/2004	Horne et al.	16/254
D504,731	S *	5/2005	Stanchfield	D25/119
D529,632	S *	10/2006	Folliard	D25/119

* cited by examiner

Primary Examiner—T. Chase Nelson

Assistant Examiner—Karen Acker

(74) *Attorney, Agent, or Firm*—Ogilvy Renault LLP; Guy J. Houle

(57) **CLAIM**

The ornamental design for a hinge connector, as shown and described.

DESCRIPTION

FIG. 1 is a perspective view of the hinge connector;

FIG. 2 is an end view thereof, the other end view being a mirror image;

FIG. 3 is a front side view thereof;

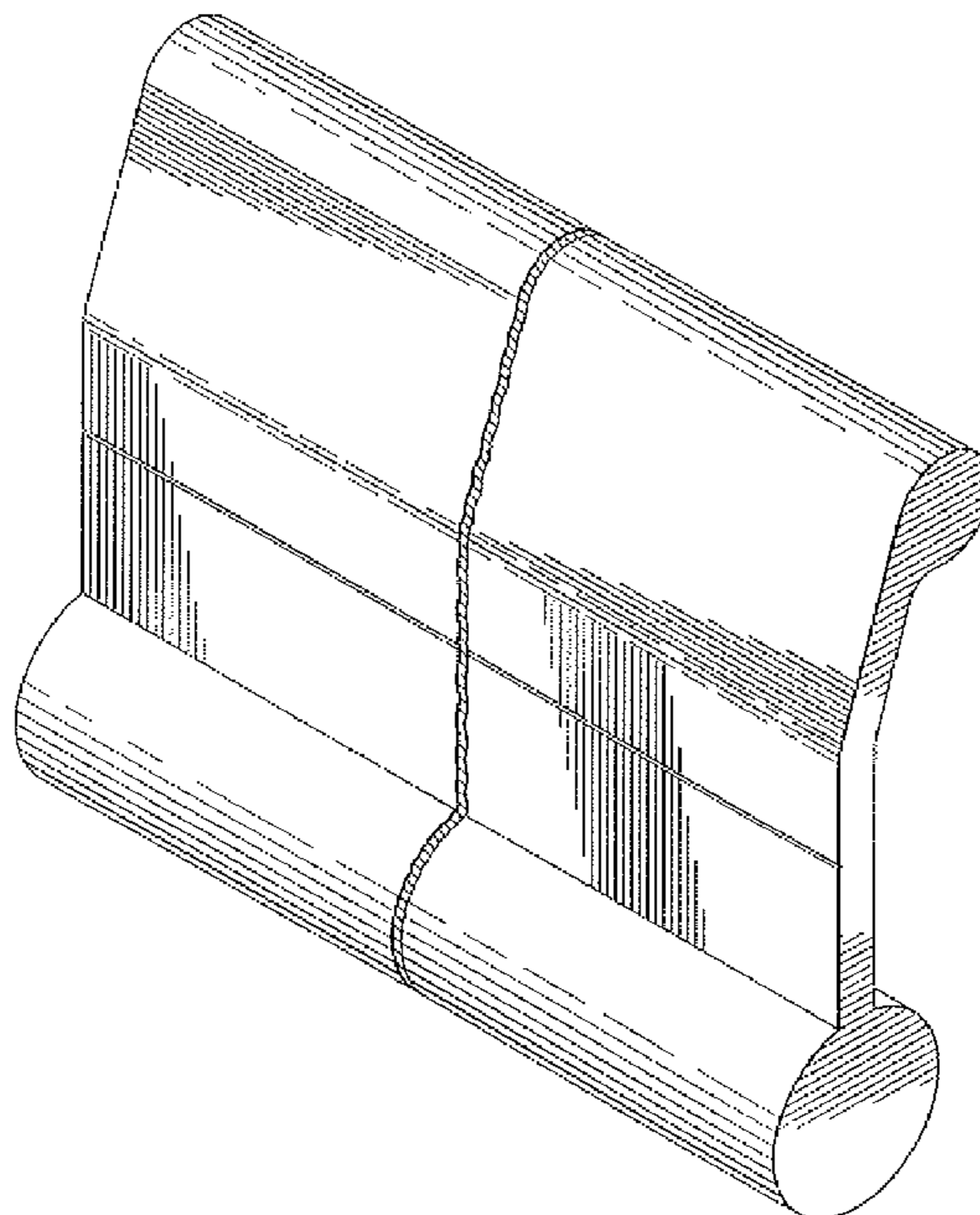
FIG. 4 is a rear side view thereof;

FIG. 5 is a top view thereof; and,

FIG. 6 is a bottom view thereof.

The design is shown fragmented in FIGS. 1, 3, 4, 5, and 6 in order to indicate that a specific length and width of the hinge connector form no part of the claimed design.

1 Claim, 3 Drawing Sheets



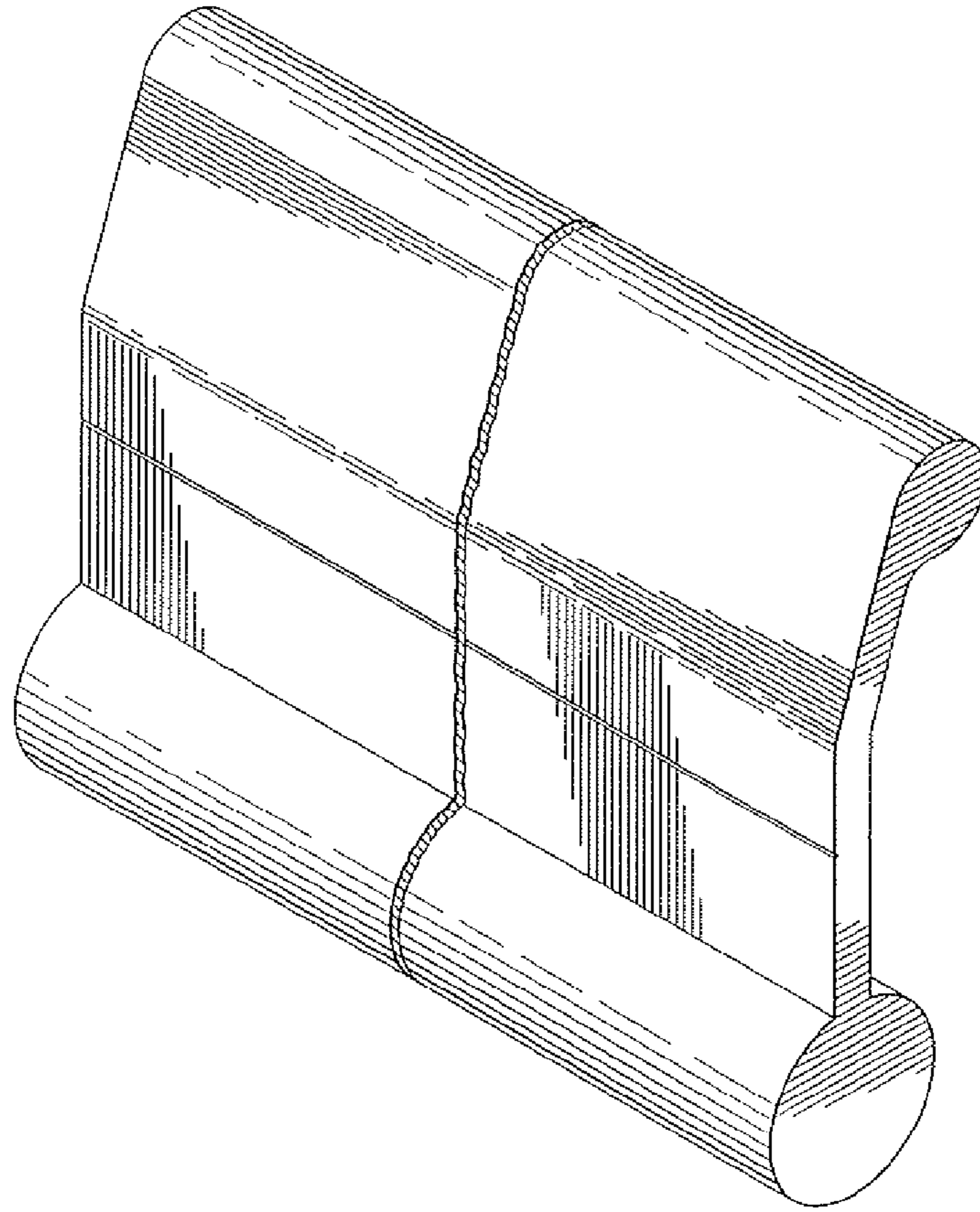


FIG. 1

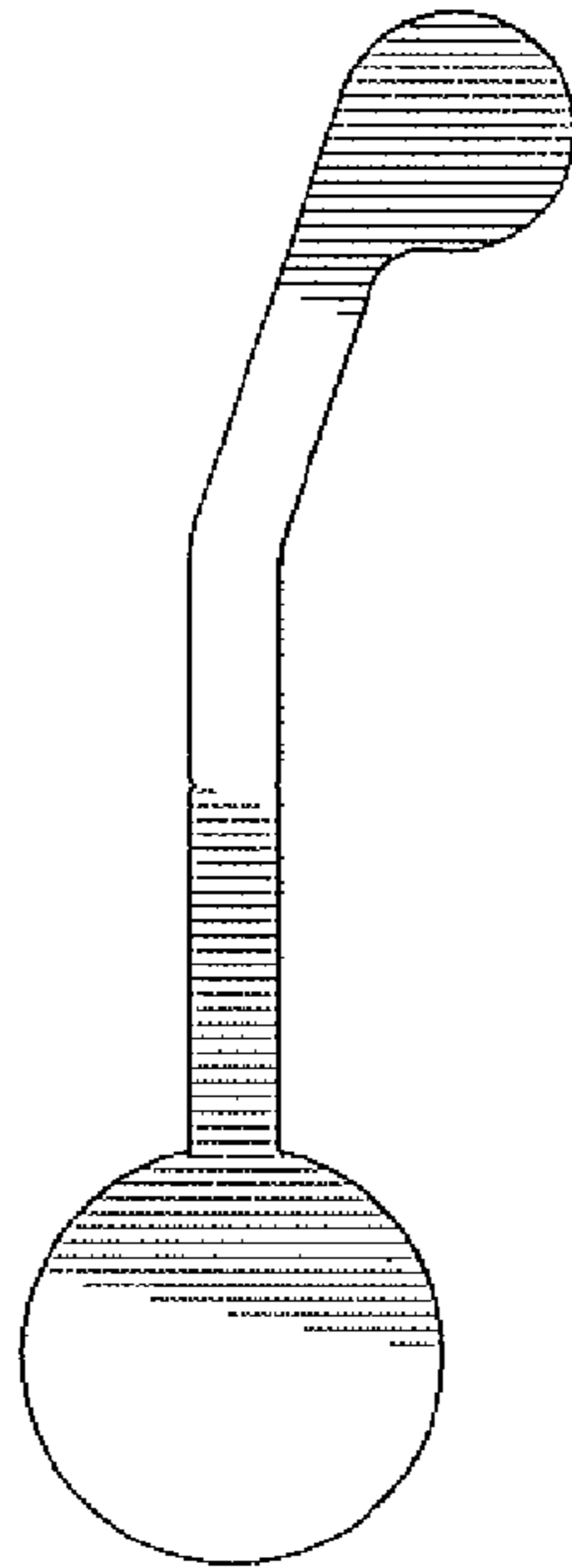


FIG. 2

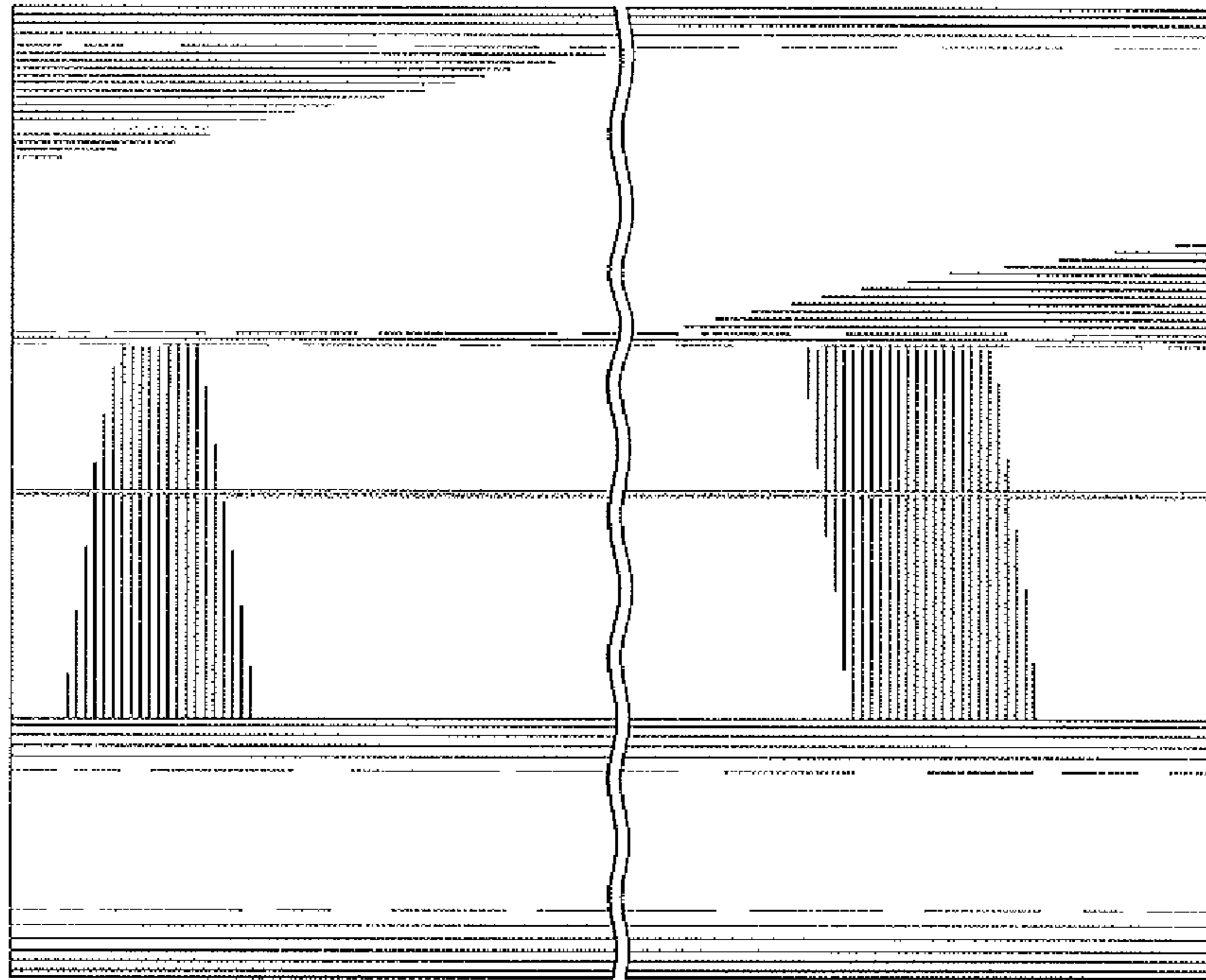


FIG. 3

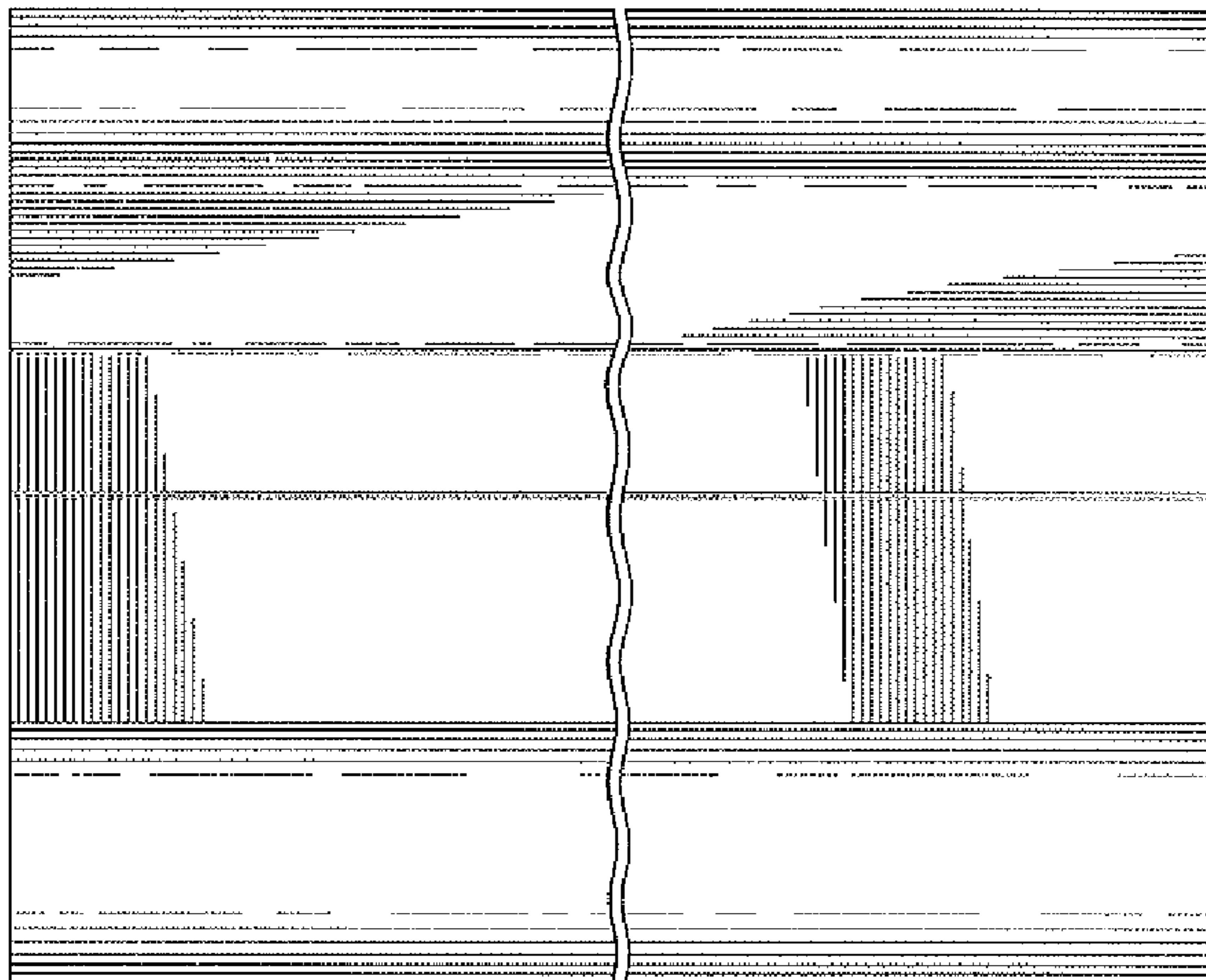


FIG. 4



FIG. 5

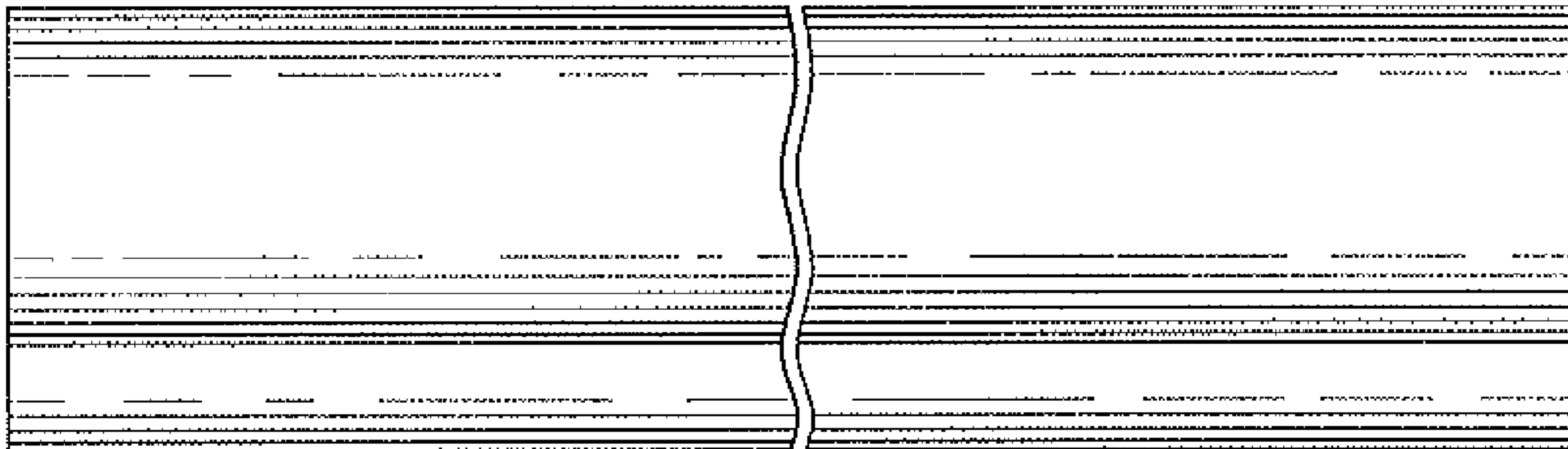


FIG. 6