



US00D564855S

(12) **United States Design Patent**
Hidding et al.

(10) **Patent No.:** **US D564,855 S**
(45) **Date of Patent:** **** Mar. 25, 2008**

(54) **REMOTE PULL HANDLE**

(75) Inventors: **Matthew Lynn Hidding**, Elma, IA (US); **Kevin P. Eschweiler**, New Hampton, IA (US); **Robert W. Donaldson**, Eureka, MO (US); **Timothy J. Zweibohmer**, Lime Springs, IA (US); **Terry M. Birchler**, New Albany, OH (US); **Shawn Whetstone**, New Albany, OH (US); **Erik Turocy**, Columbus, OH (US)

(73) Assignee: **Trimark Corporation**, New Hampton, IA (US)

(**) Term: **14 Years**

(21) Appl. No.: **29/277,299**

(22) Filed: **Feb. 21, 2007**

(51) **LOC (8) Cl.** **08-06**

(52) **U.S. Cl.** **D8/302**

(58) **Field of Classification Search** D8/300, D8/302, 306, 312, 313, 338, 353; 16/412, 16/438, DIG. 41; 292/165, 336.3, 347, 348, 292/DIG. 31, DIG. 62, 172, 173; 340/686.6, 340/5.72; 70/208, 210

See application file for complete search history.

(56) **References Cited**

U.S. PATENT DOCUMENTS

2,427,386 A	9/1947	Claud-Mantle	
D373,298 S	9/1996	Miehe et al.	
D391,137 S *	2/1998	Moebius	D8/313
5,927,773 A	7/1999	Larsen et al.	
D419,421 S	1/2000	Larsen et al.	
6,059,329 A *	5/2000	Spitzley	292/336.3
D427,045 S *	6/2000	Larsen et al.	D8/302

6,363,577 B1 *	4/2002	Spitzley	292/336.3
6,406,075 B1 *	6/2002	Rice et al.	292/336.3
D459,969 S	7/2002	Larsen et al.	
6,588,813 B1 *	7/2003	Marcarini et al.	292/347
6,698,262 B2 *	3/2004	Wittwer	70/208
D489,957 S	5/2004	Lane	
6,802,544 B1 *	10/2004	Lane	292/336.3
D510,252 S *	10/2005	Larson	D8/313
7,158,044 B2 *	1/2007	Monig et al.	340/686.6
7,237,411 B2 *	7/2007	Pantke et al.	70/208

OTHER PUBLICATIONS

TriMark "30-425 Inside Bezel & Release Lever Assembly" ISO 9001 Aug. 1994, 2 pages.

* cited by examiner

Primary Examiner—Paula A. Greene

(74) *Attorney, Agent, or Firm*—McKee, Voorhees & Sease, P.L.C.

(57) **CLAIM**

We claim the ornamental design for a remote pull handle, substantially as shown and described.

DESCRIPTION

FIG. 1 is a perspective of the remote pull handle of the present invention.

FIG. 2 is a top plan view thereof, the undisclosed bottom is not part of the claimed design;

FIG. 3 is a side elevational view thereof;

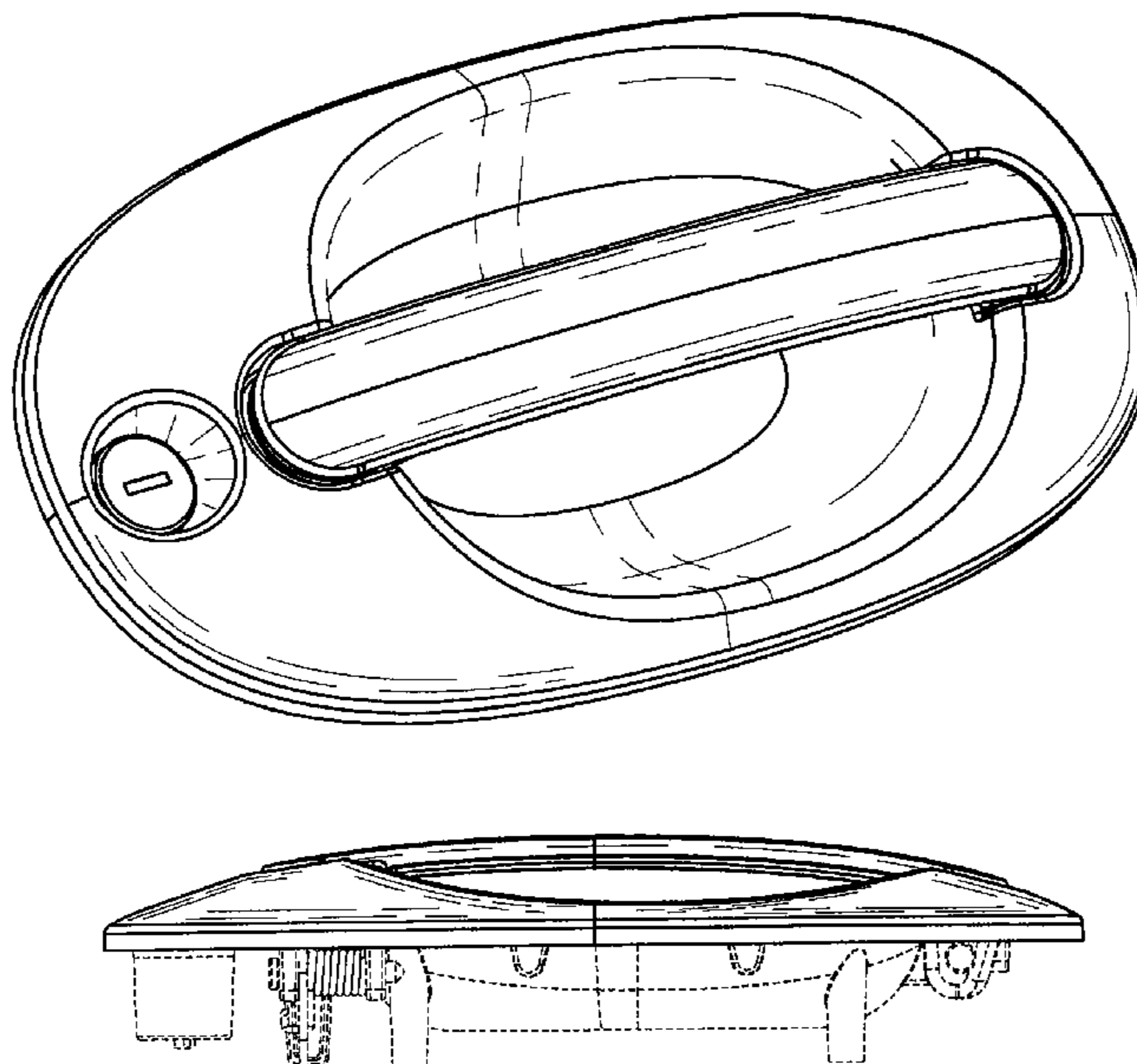
FIG. 4 is an opposite side elevational view thereof;

FIG. 5 is an end elevational view thereof; and,

FIG. 6 is an opposite end elevational view thereof.

The broken lines are included for the purpose of illustration and form no part of the claimed design.

1 Claim, 3 Drawing Sheets



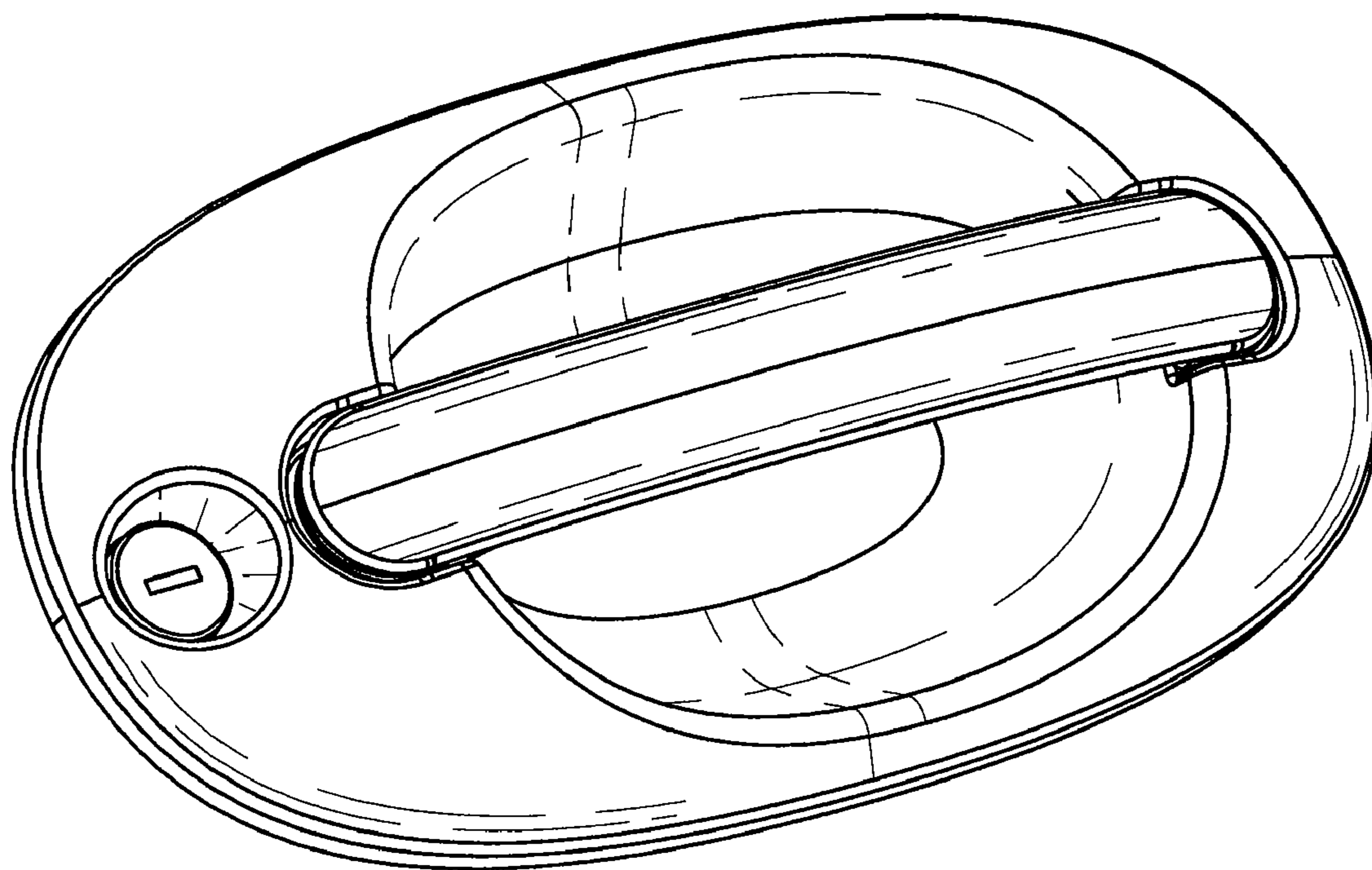


FIG. 1

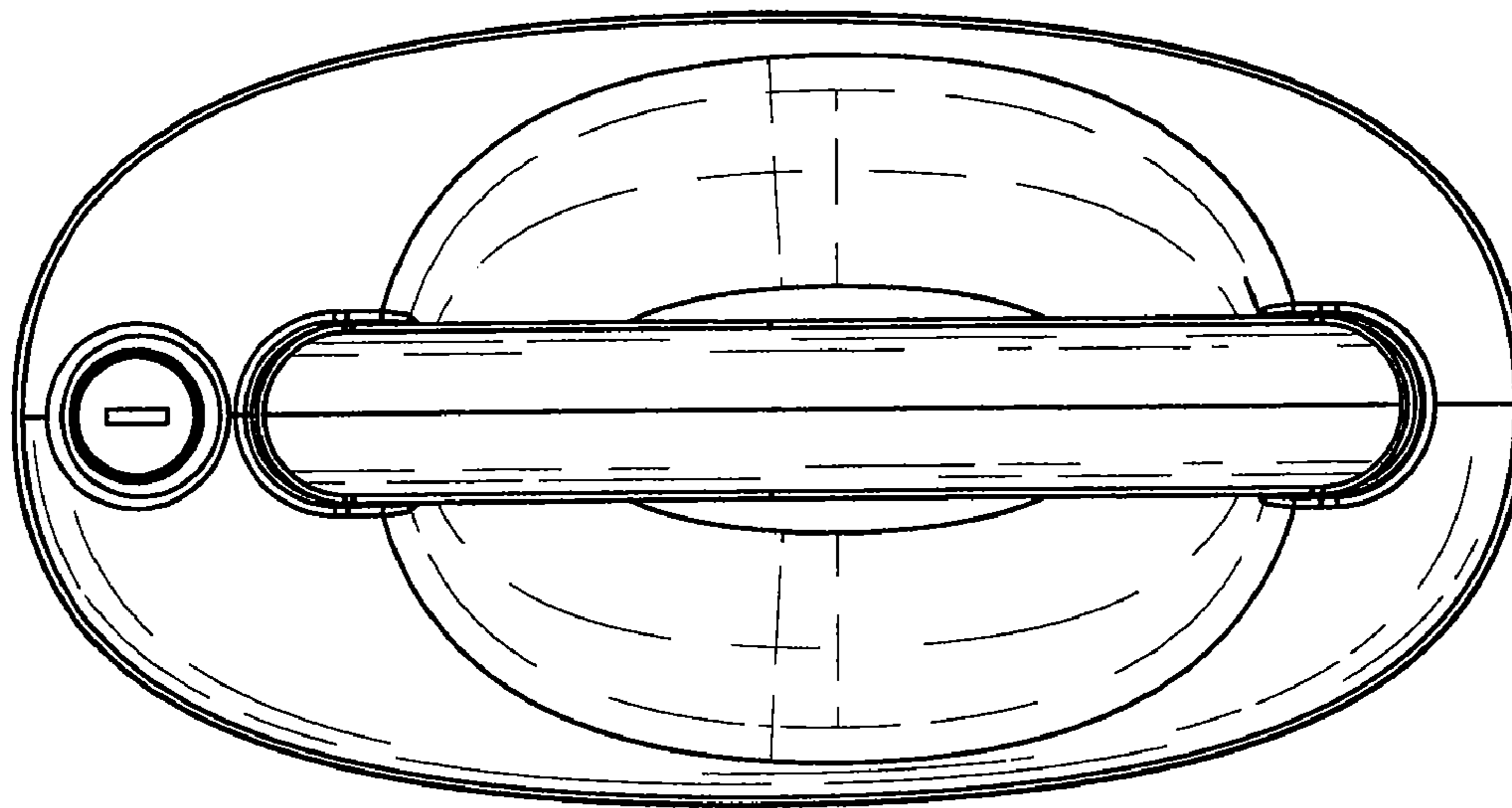


FIG. 2

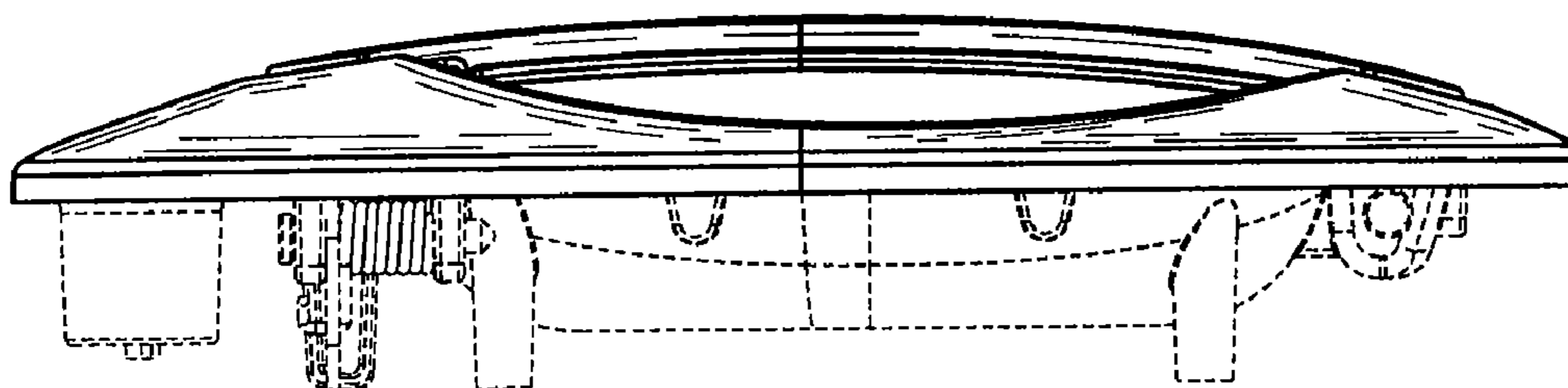


FIG. 3

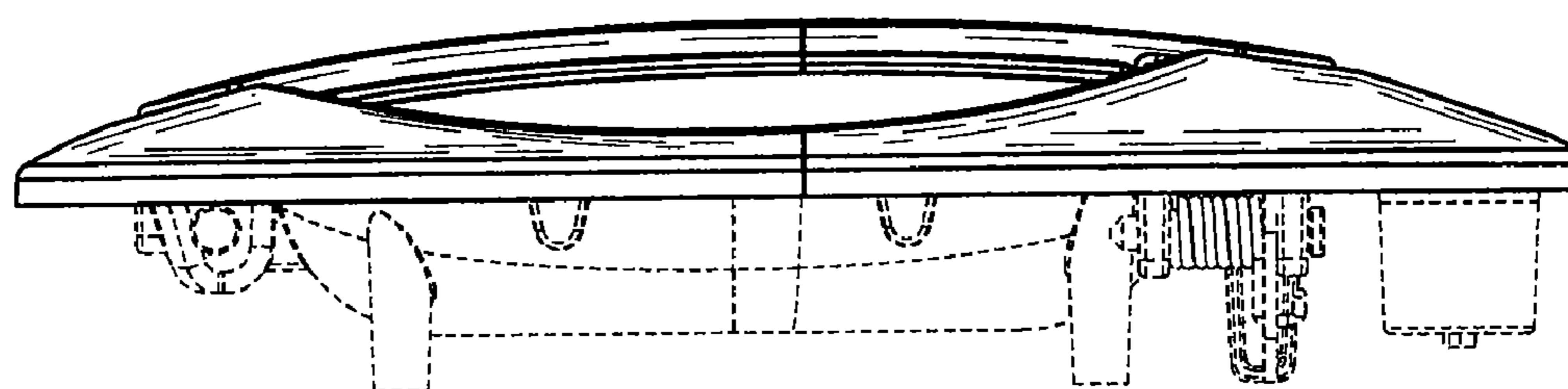


FIG. 4

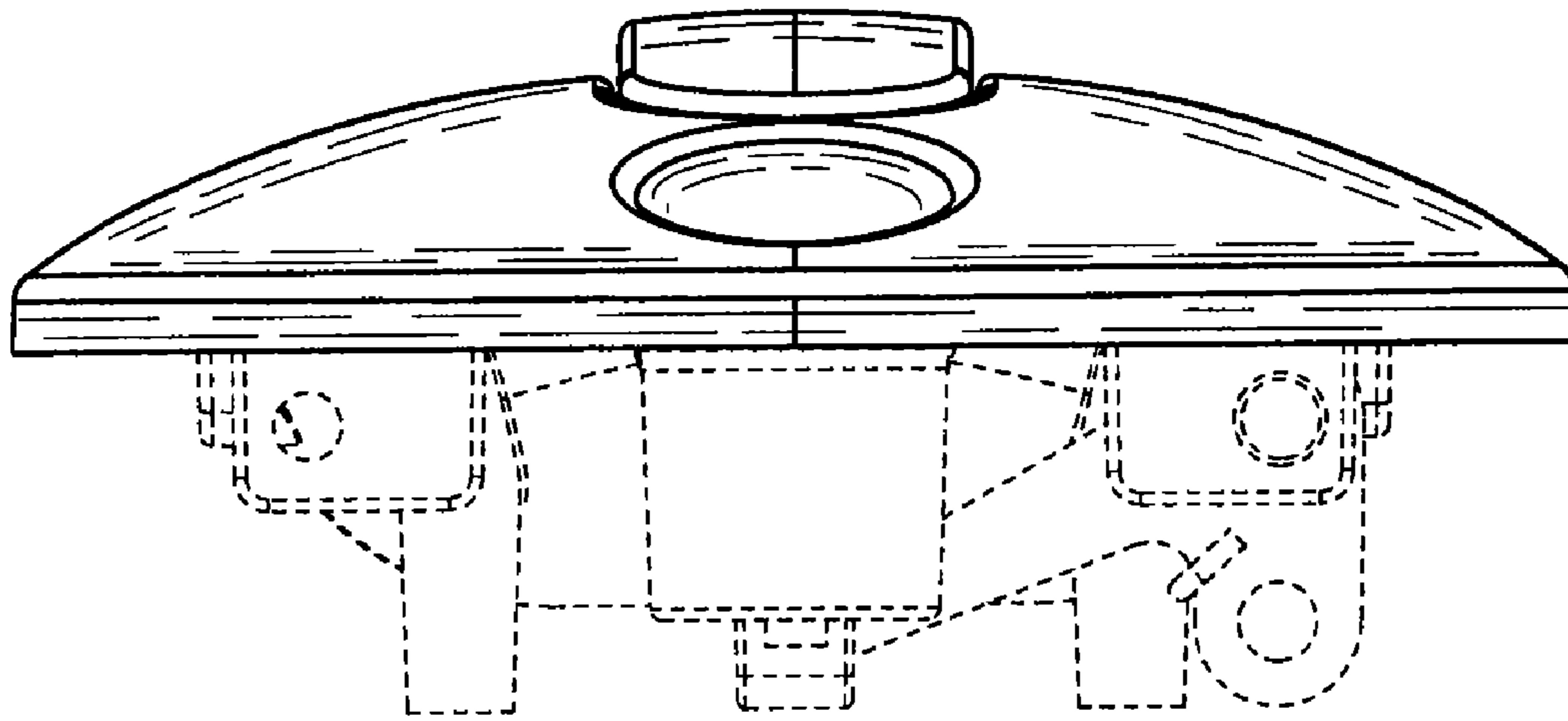


FIG. 5

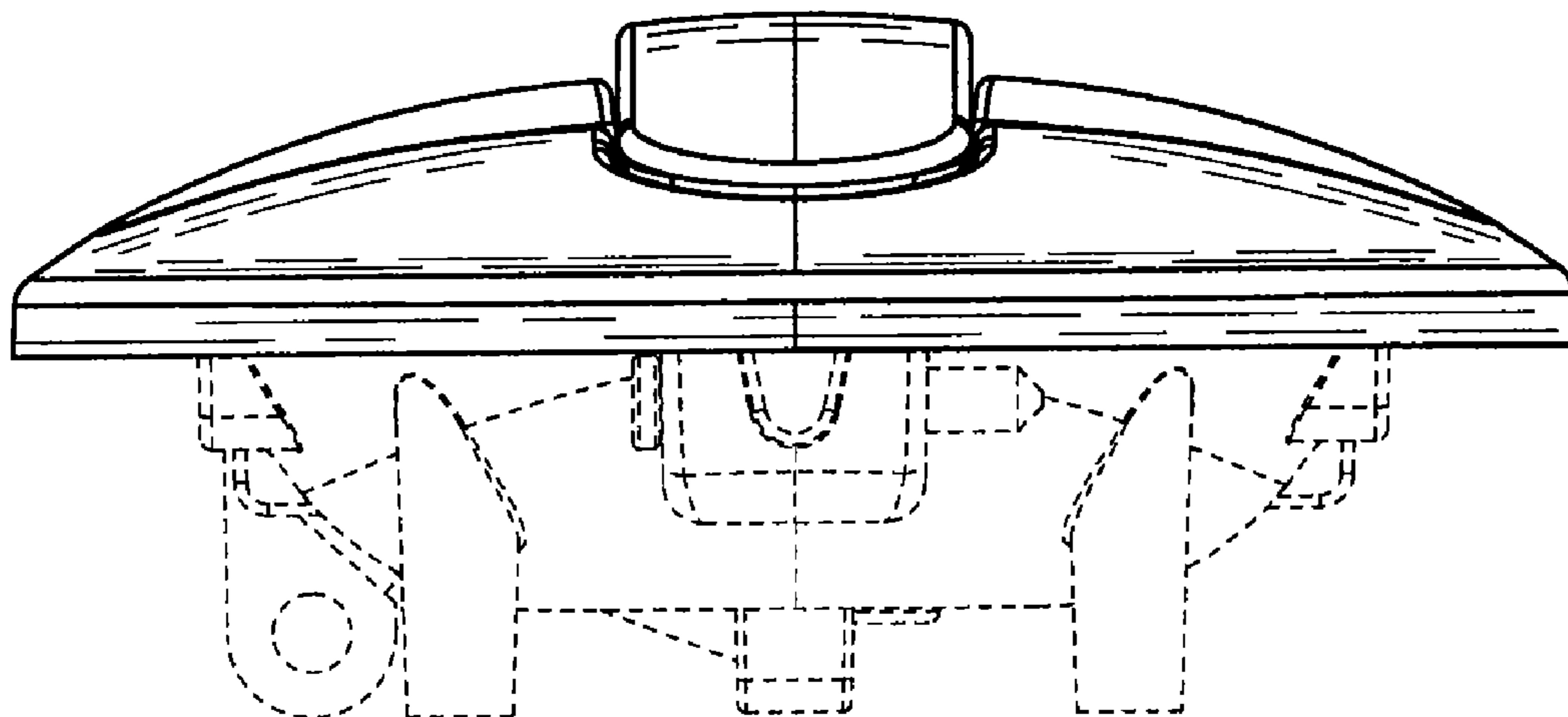


FIG. 6