



US00D564854S

(12) **United States Design Patent**
Thompson

(10) **Patent No.:** **US D564,854 S**
(45) **Date of Patent:** **** Mar. 25, 2008**

(54) **DRAWER PULL**

D542,100 S * 5/2007 Kim D6/549

(75) Inventor: **David W. Thompson**, New Albany, OH (US)

* cited by examiner

(73) Assignee: **American Signature, Inc.**, Columbus, OH (US)

Primary Examiner—Paula A. Greene
(74) *Attorney, Agent, or Firm*—Wood, Herron & Evans, L.L.P.

(**) Term: **14 Years**

(57) **CLAIM**

(21) Appl. No.: **29/275,543**

The ornamental design for a drawer pull, as shown and described.

(22) Filed: **Dec. 29, 2006**

(51) **LOC (8) Cl.** **08-06**

(52) **U.S. Cl.** **D8/300; D8/315**

(58) **Field of Classification Search** D8/300, D8/302, 305, 307, 310, 315, 316, DIG. 1; D23/250–254; D6/522–524, 546, 549; 292/247; 16/110.1; D99/11

See application file for complete search history.

DESCRIPTION

FIG. 1 is a perspective view of a drawer pull showing my new design, the drawer pull is drawn broken away to show indeterminate length;

FIG. 2 is another perspective view thereof.

FIG. 3 is a front elevational view thereof.

FIG. 4 is a right elevational view thereof.

FIG. 5 is a rear elevational view thereof.

FIG. 6 is a left elevational view thereof.

FIG. 7 is a top plan view thereof; and,

FIG. 8 is a bottom plan view thereof.

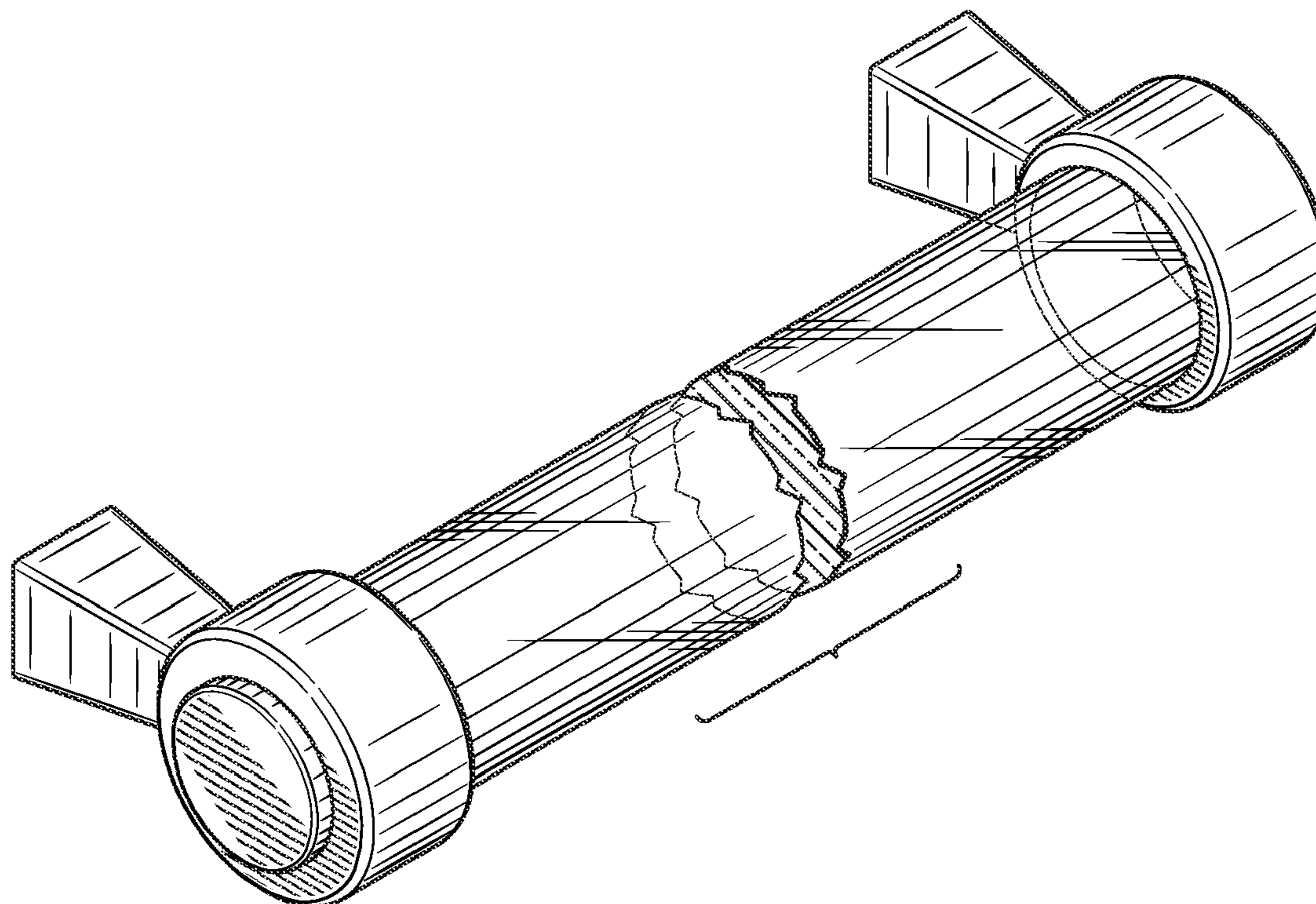
The broken lines are included for the purpose of illustration and form no part of the claimed design.

(56) **References Cited**

U.S. PATENT DOCUMENTS

D53,683 S *	8/1919	Jordan	D6/549
3,314,746 A *	4/1967	Rutherford	422/186
D299,110 S *	12/1988	Jans	D8/316
D337,507 S *	7/1993	Jans	D8/316
D471,074 S *	3/2003	Fields	D8/315
D492,530 S *	7/2004	Chen	D6/549
D540,595 S *	4/2007	Solowiej	D6/549

1 Claim, 3 Drawing Sheets



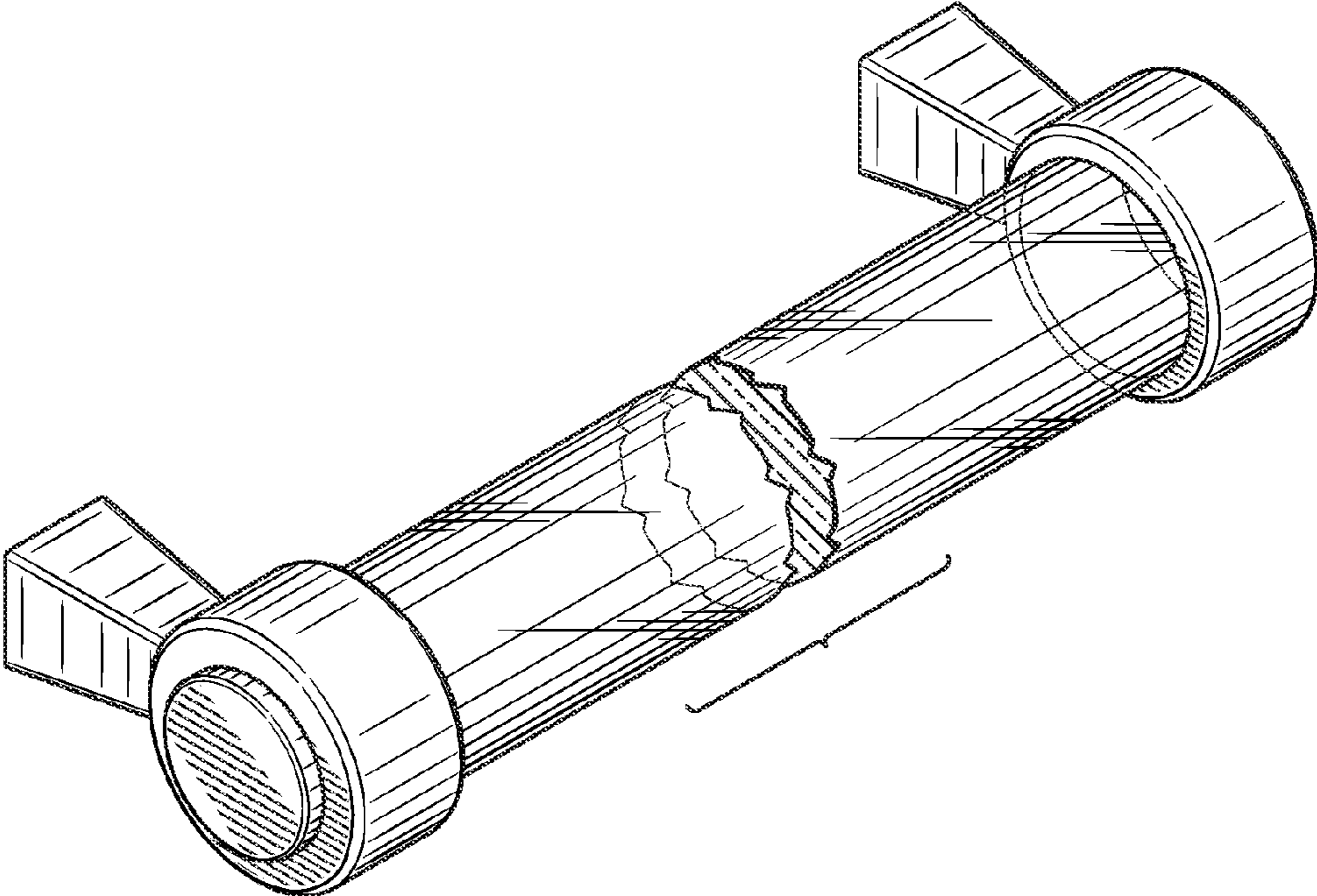


FIG. 1

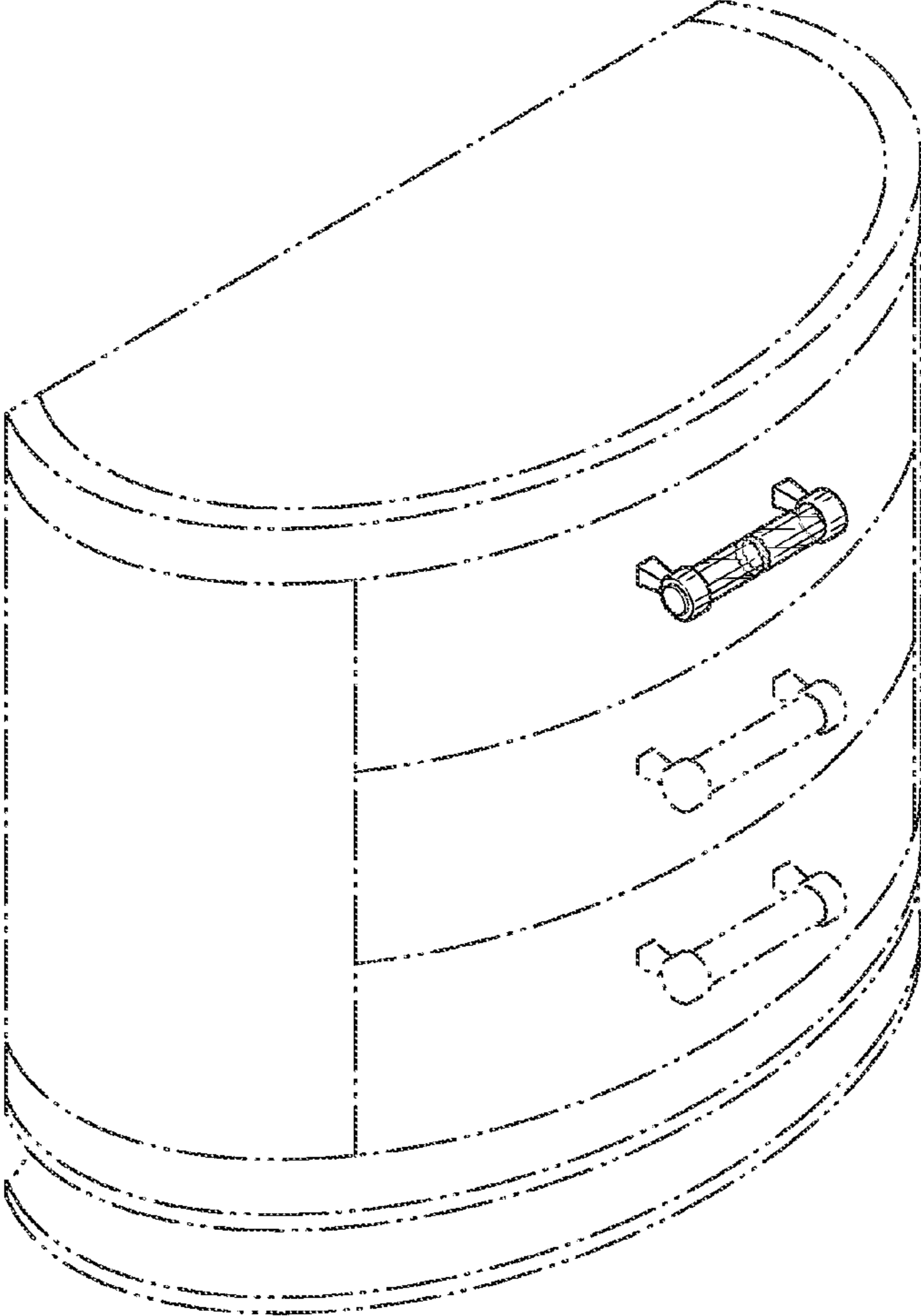


FIG. 2

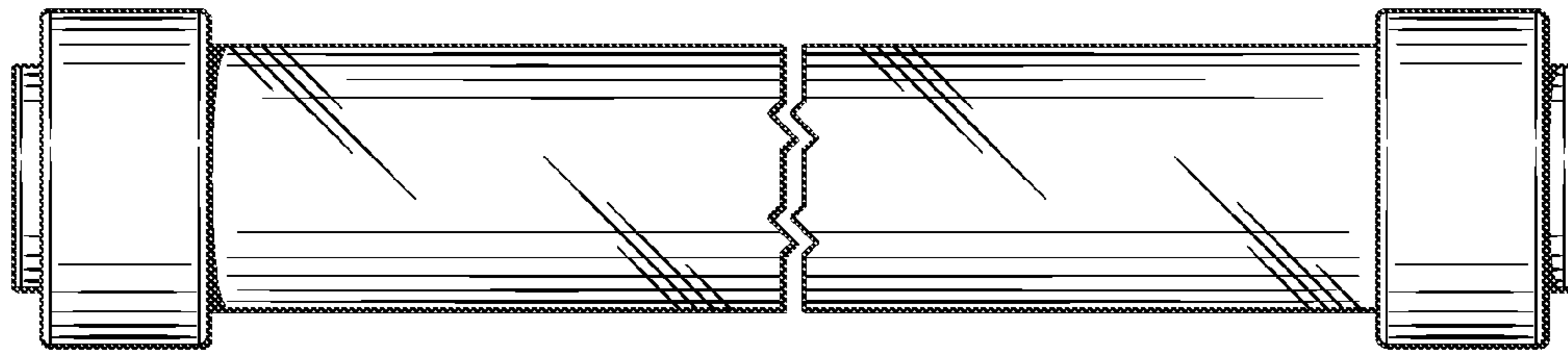


FIG. 3

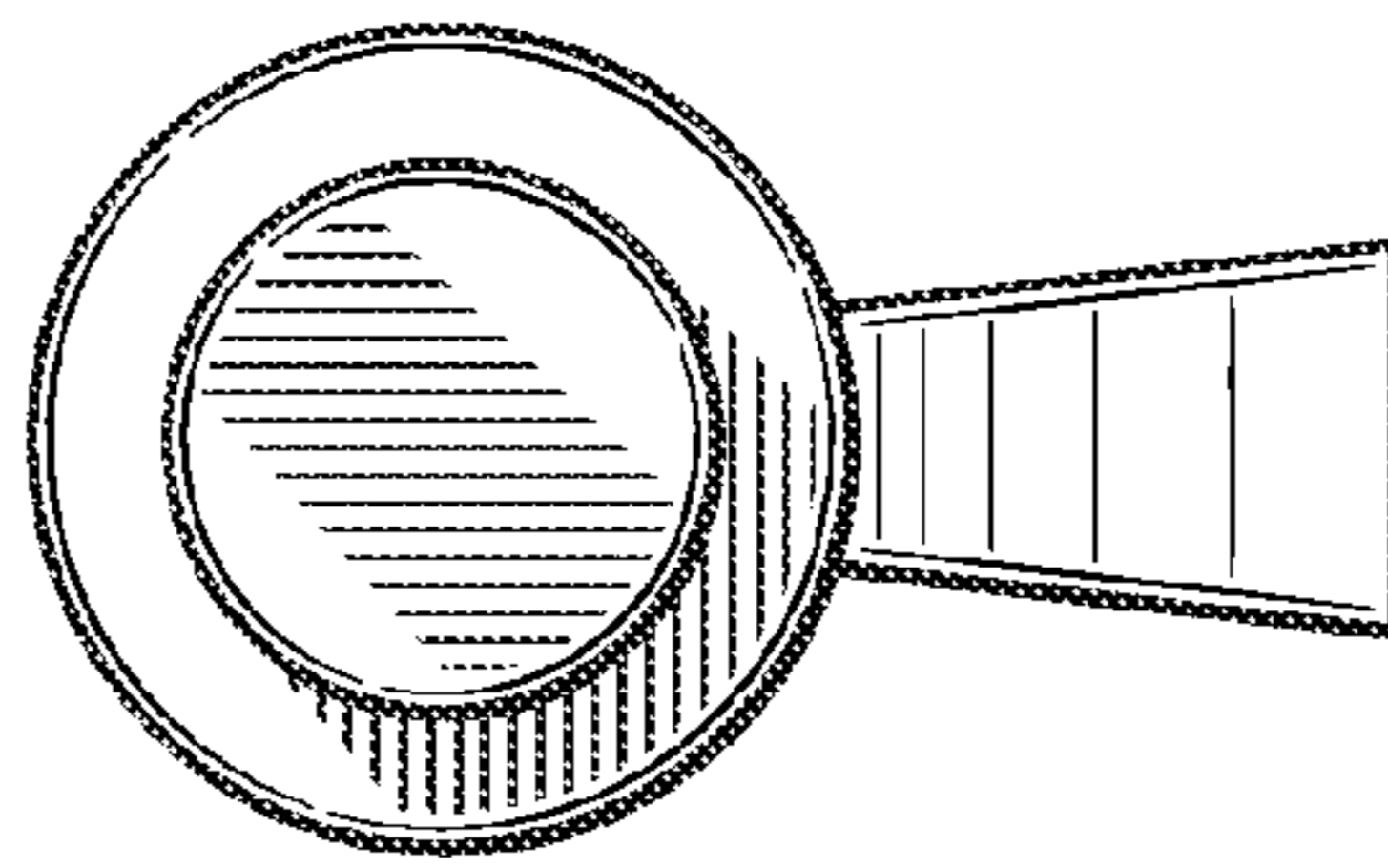


FIG. 4

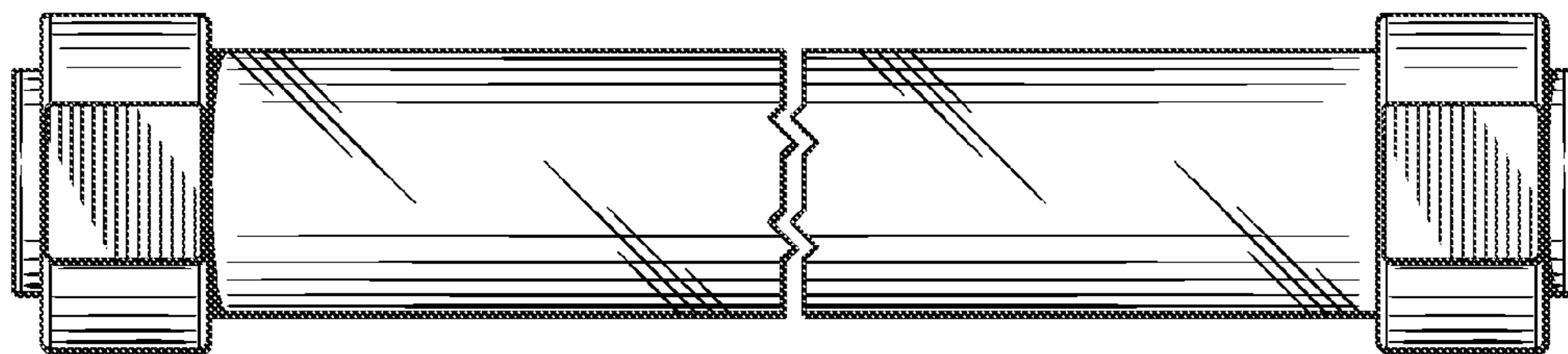


FIG. 5

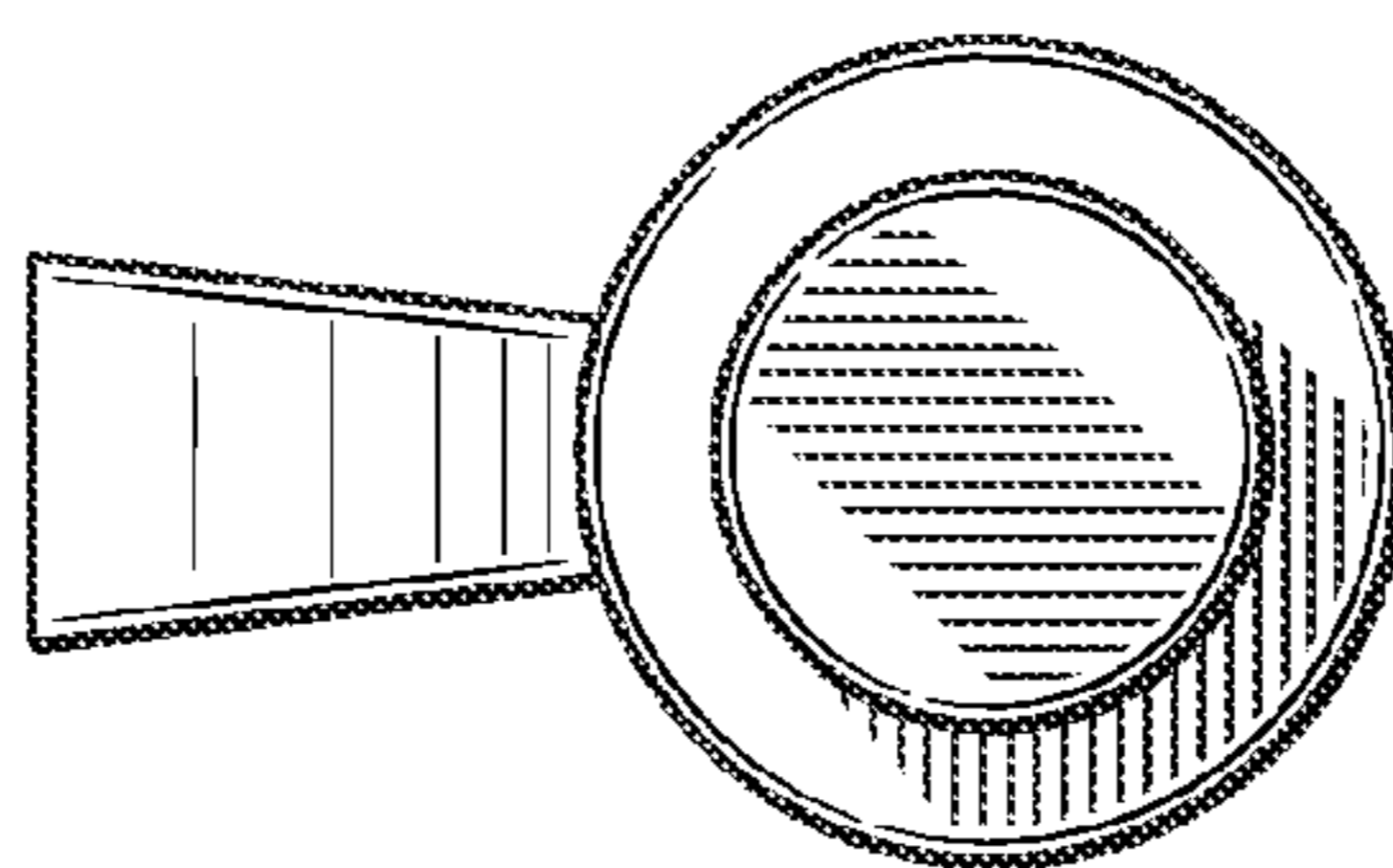


FIG. 6

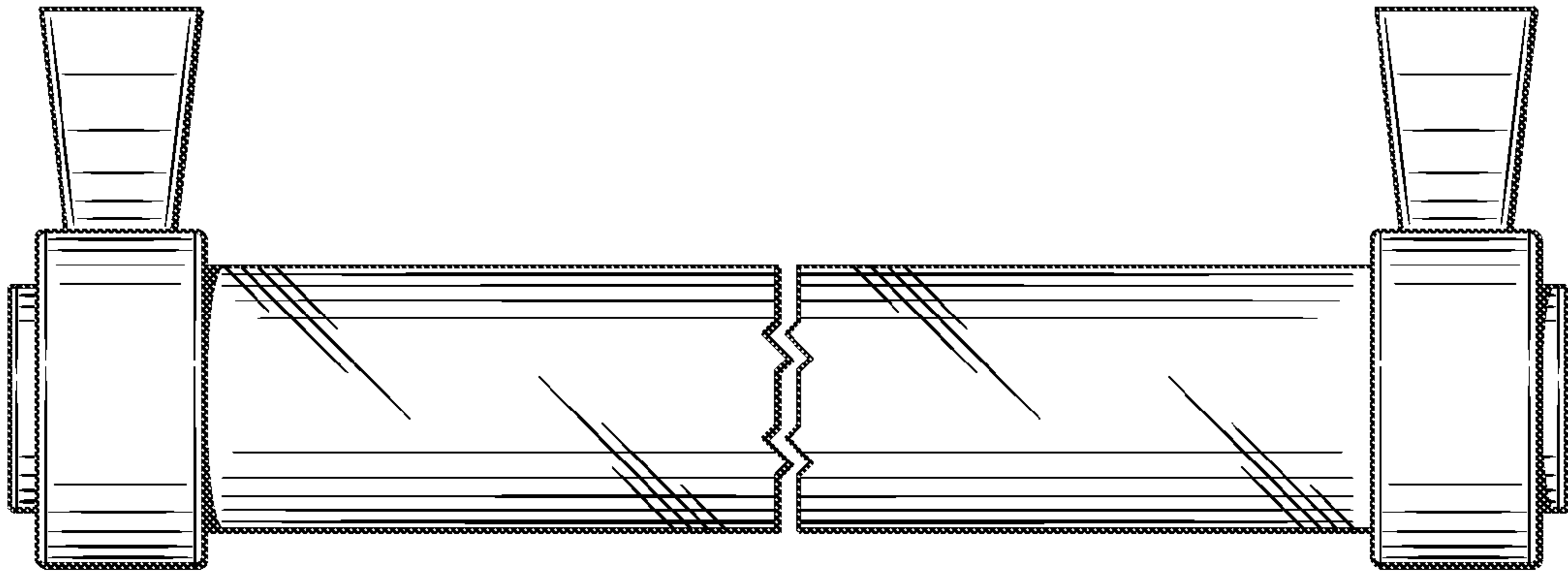


FIG. 7

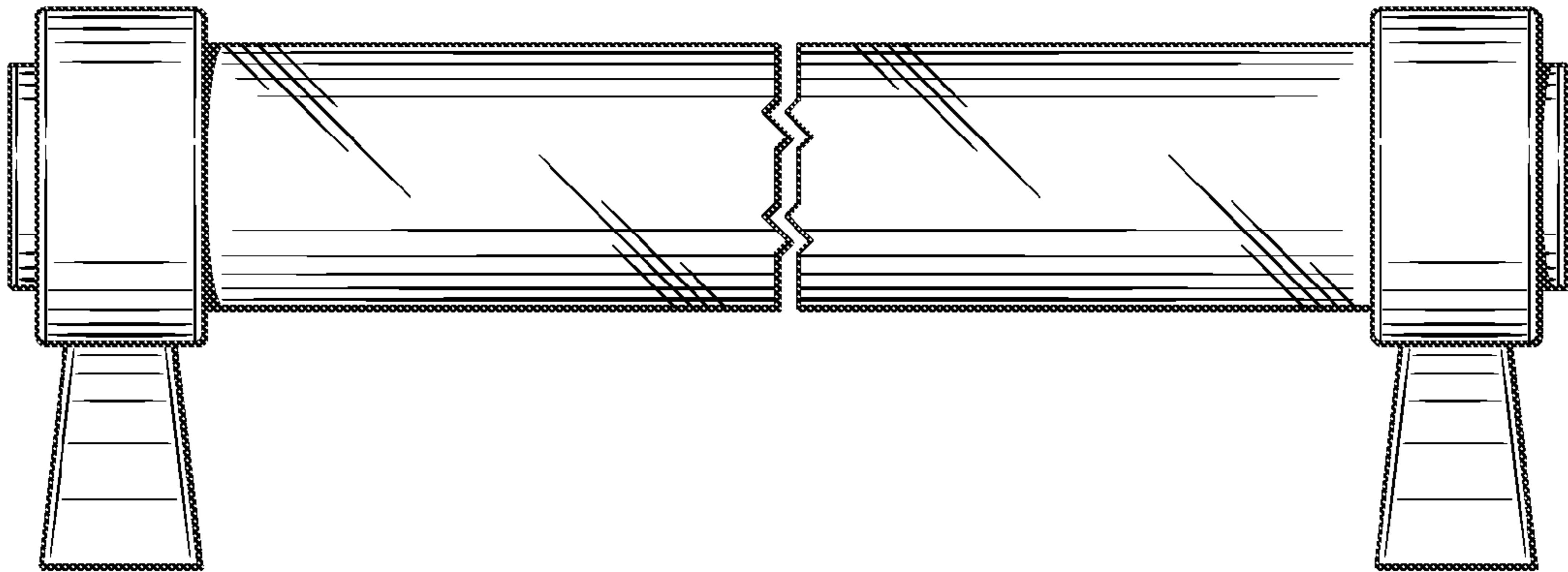


FIG. 8