

US00D564852S

(12) **United States Design Patent**
Turpin

(10) **Patent No.:** **US D564,852 S**

(45) **Date of Patent:** **** Mar. 25, 2008**

(54) **COMPUTER ACCESSORY INCLUDING CD CASE OPENER, CD CLEANING WIPER AND KEYBOARD CLEANING BRUSH**

D435,775 S * 1/2001 Rothschild et al. D8/98
6,298,514 B1 * 10/2001 Lazich et al. 15/106
D494,438 S * 8/2004 Falkenstein et al. D8/105
6,964,941 B2 * 11/2005 Argentieri et al. 510/175

(75) Inventor: **David Turpin**, Hong Kong (CN)

* cited by examiner

(73) Assignee: **Kingdy Li**, Quarry Bay, Hong Kong (CN)

Primary Examiner—Philip S. Hyder

(74) *Attorney, Agent, or Firm*—Alix, Yale & Ristas, LLP

(**) Term: **14 Years**

(57) **CLAIM**

(21) Appl. No.: **29/258,806**

The ornamental design for a computer accessory including CD case opener, CD cleaning wiper and keyboard cleaning brush, as shown and described.

(22) Filed: **Apr. 27, 2006**

(30) **Foreign Application Priority Data**

DESCRIPTION

Oct. 27, 2005 (HK) 0502610

FIG. 1 is a front perspective view of a computer accessory including CD case opener, CD cleaning wiper and keyboard cleaning brush showing my new design;

(51) **LOC (8) Cl.** **08-05**

FIG. 2 is a front elevational view thereof;

(52) **U.S. Cl.** **D8/105; D8/98; D4/116**

FIG. 3 is a left side elevational view thereof;

(58) **Field of Classification Search** D8/14,
D8/98, 105, 107; D4/116; 7/151, 170; 30/280,
30/294; 15/105

FIG. 4 is a top plan view thereof;

See application file for complete search history.

FIG. 5 is a rear elevational view thereof;

(56) **References Cited**

FIG. 6 is a right side elevational view thereof;

U.S. PATENT DOCUMENTS

FIG. 7 is a bottom plan view thereof; and,

4,856,793 A * 8/1989 Hannifin 473/590

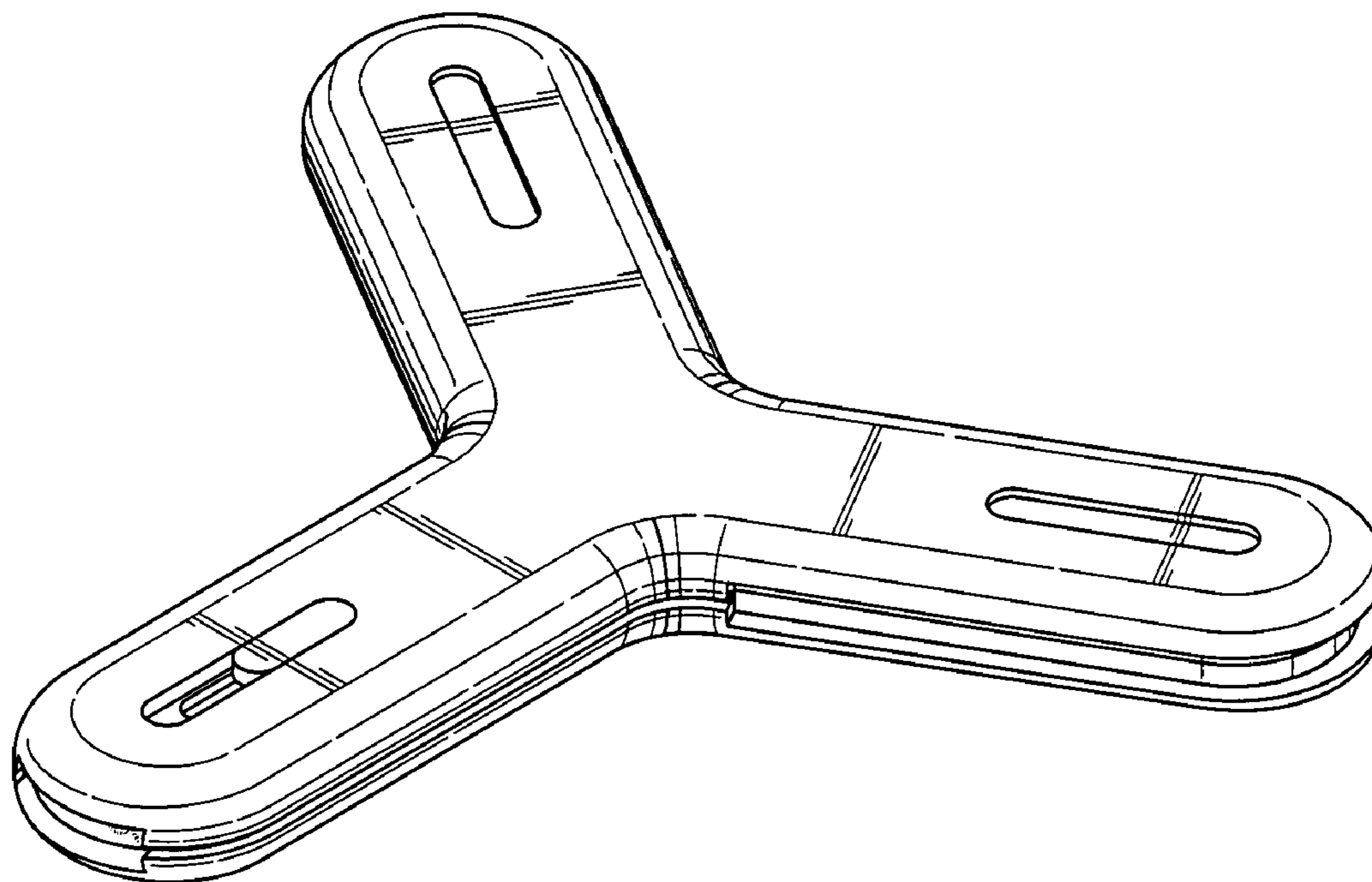
FIG. 8 is a front perspective view thereof, showing the keyboard cleaning brush in the extended position.

D308,462 S * 6/1990 Komatsu D8/105

D312,480 S * 11/1990 Darnell D21/437

D318,070 S * 7/1991 Amagaya D19/65

1 Claim, 4 Drawing Sheets



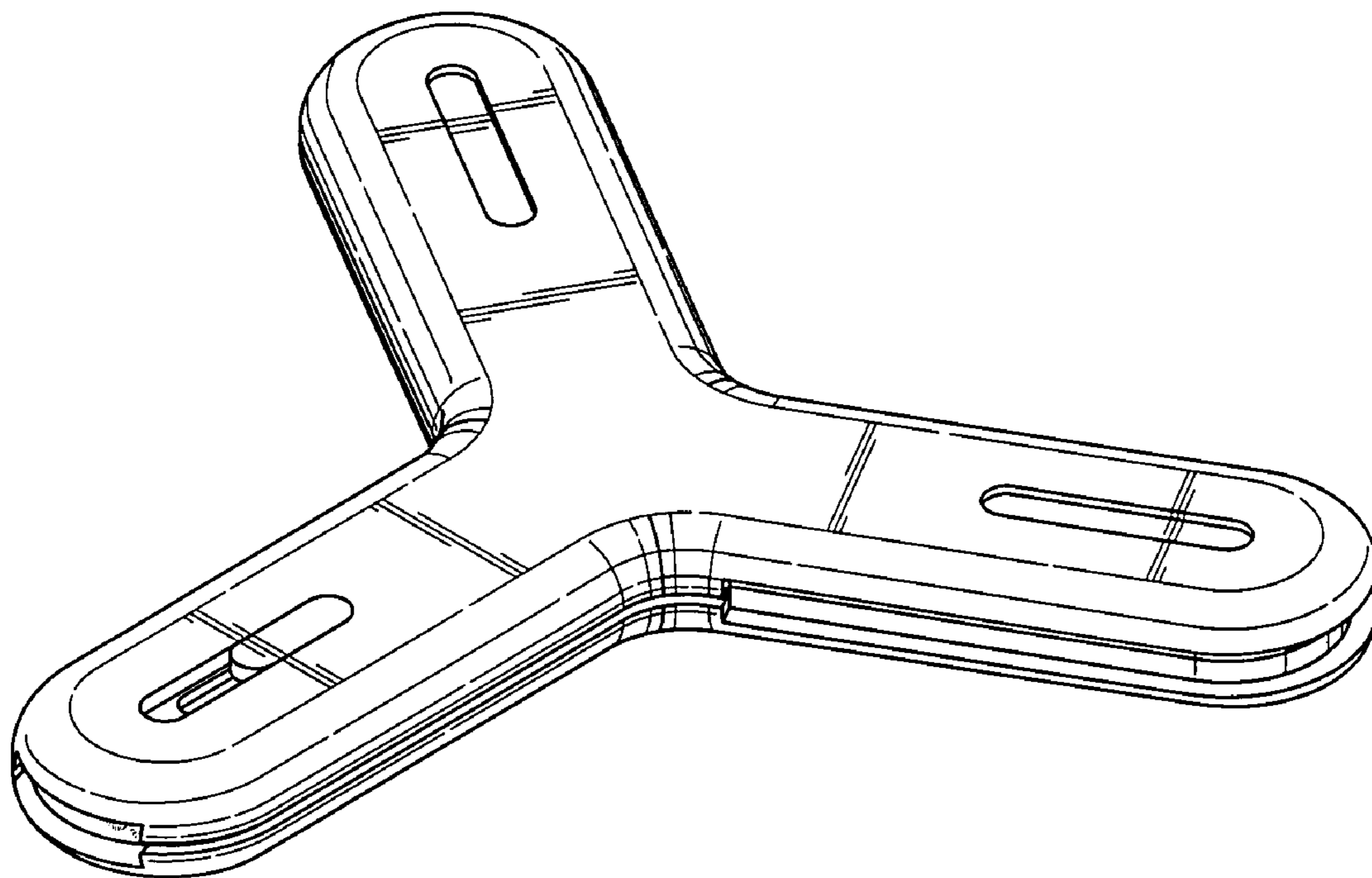


FIG. 1

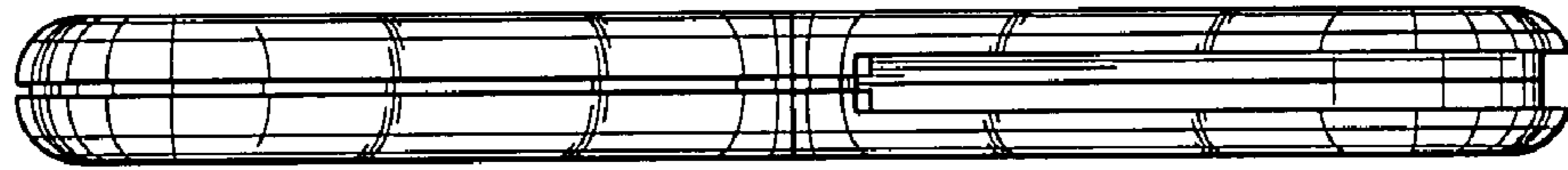


FIG. 4

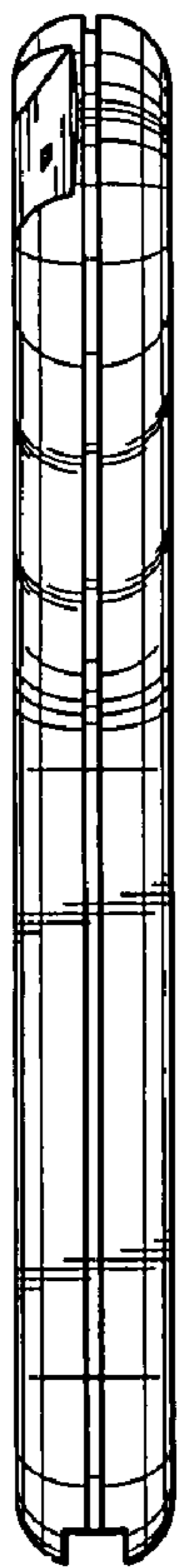


FIG. 3

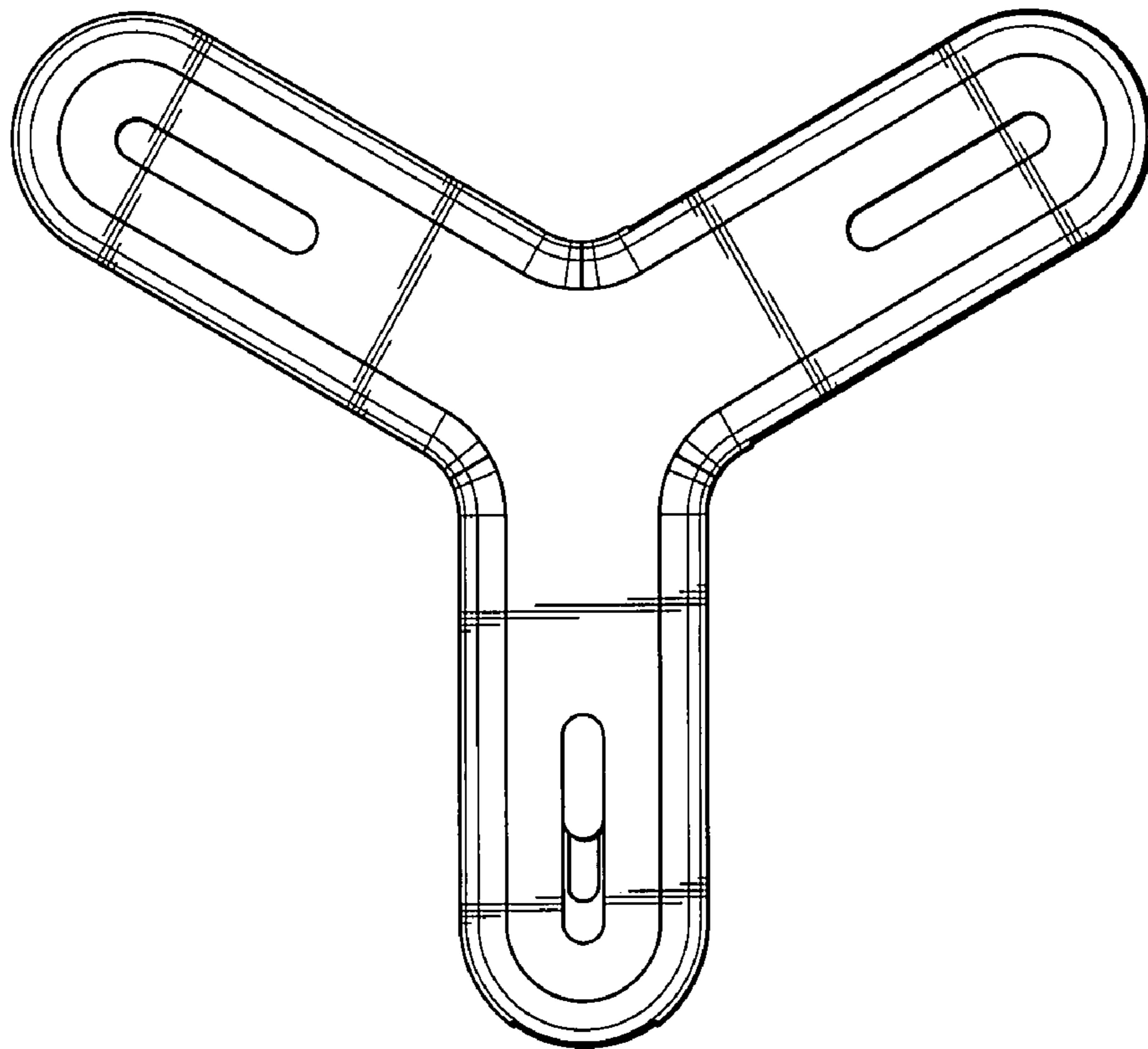


FIG. 2

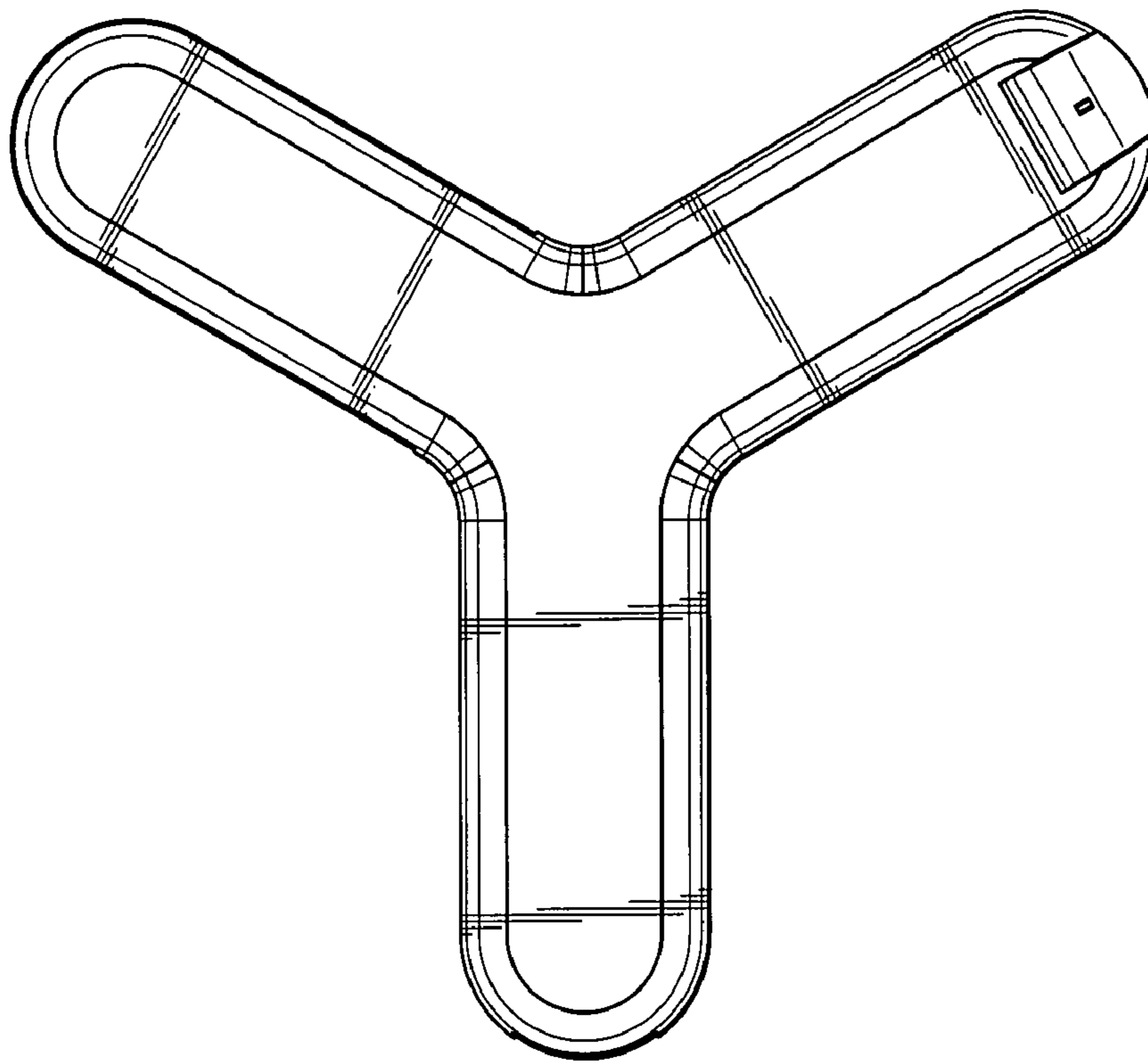


FIG. 5

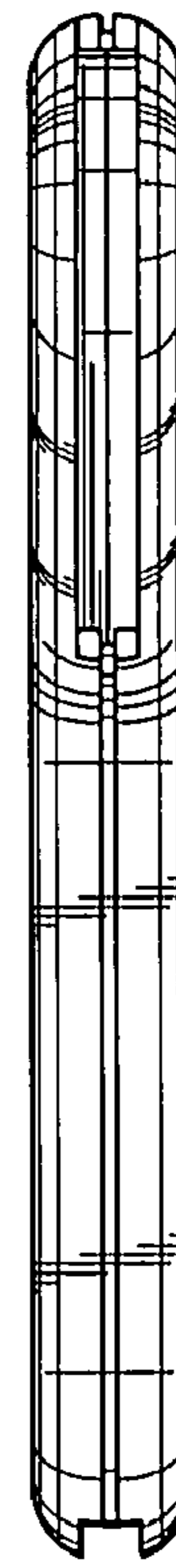


FIG. 6

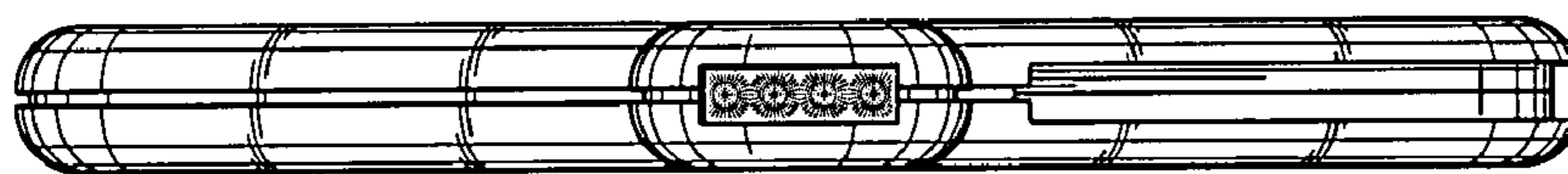


FIG. 7

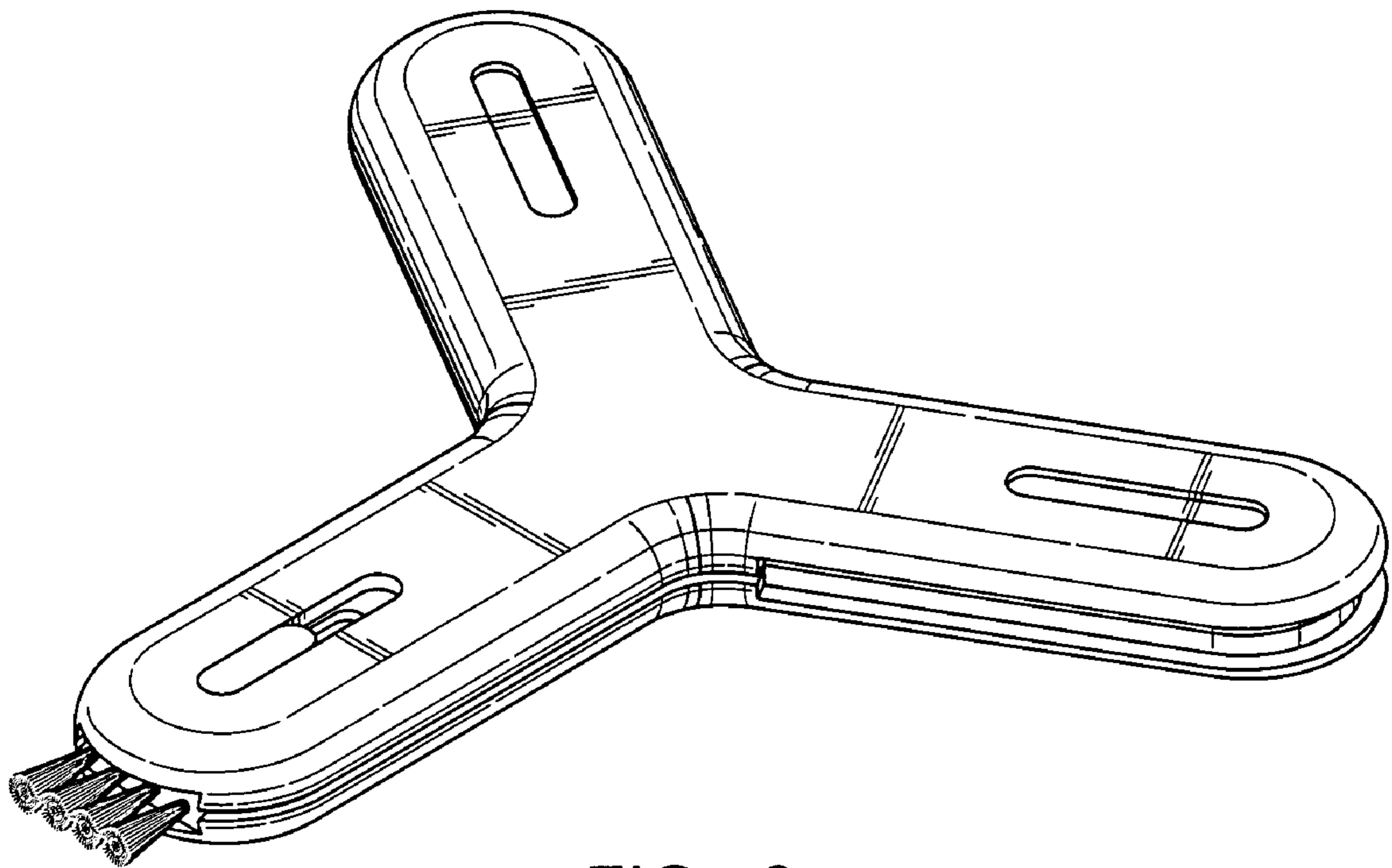


FIG. 8