

US00D564851S

(12) **United States Design Patent**  
**Fraga**

(10) **Patent No.:** **US D564,851 S**  
(45) **Date of Patent:** **\*\* Mar. 25, 2008**

(54) **ROOFING TEAR OUT SHOVEL**

6,453,774 B1 \* 9/2002 Khachatoorian ..... 81/45  
D500,239 S \* 12/2004 Parker et al. .... D8/89

(76) Inventor: **Juan Carlos Fraga**, 2840 N. Second  
St., N. Ft. Myers, FL (US) 33917

\* cited by examiner

(\*\*) Term: **14 Years**

*Primary Examiner*—Philip S. Hyder  
(74) *Attorney, Agent, or Firm*—Albert Bordas, P.A.

(21) Appl. No.: **29/264,335**

(57) **CLAIM**

(22) Filed: **Aug. 8, 2006**

The ornamental design for a roofing tear out shovel, as shown and described: shovel blade rotates around center axis, easy- tear out roofing materials and nails

(51) **LOC (8) Cl.** ..... **08-05**

(52) **U.S. Cl.** ..... **D8/98; D8/14**

(58) **Field of Classification Search** ..... D8/14,  
D8/51, 88, 89, 98; 81/45; 30/171, 172,  
30/263, 276, 319, 292; D32/51

See application file for complete search history.

**DESCRIPTION**

(56) **References Cited**

**U.S. PATENT DOCUMENTS**

4,086,699	A *	5/1978	Olkola	30/172
D265,791	S *	8/1982	Fieni	D8/88
D270,895	S *	10/1983	Holloway	D8/89
4,809,436	A *	3/1989	Crookston	30/171
5,010,791	A *	4/1991	Williams	81/45
D320,149	S *	9/1991	Owens	D8/89
D327,206	S *	6/1992	Johnson	D8/14
D356,482	S *	3/1995	Jensen, Jr.	D8/88
6,023,998	A *	2/2000	Frey	81/45
D439,126	S *	3/2001	Gohman	D8/89

FIG. 1 is a perspective view of a roofing tear out shovel, showing my new design;

FIG. 2 is a top plan view thereof;

FIG. 3 is a bottom plan view thereof;

FIG. 4 is a front elevational view thereof;

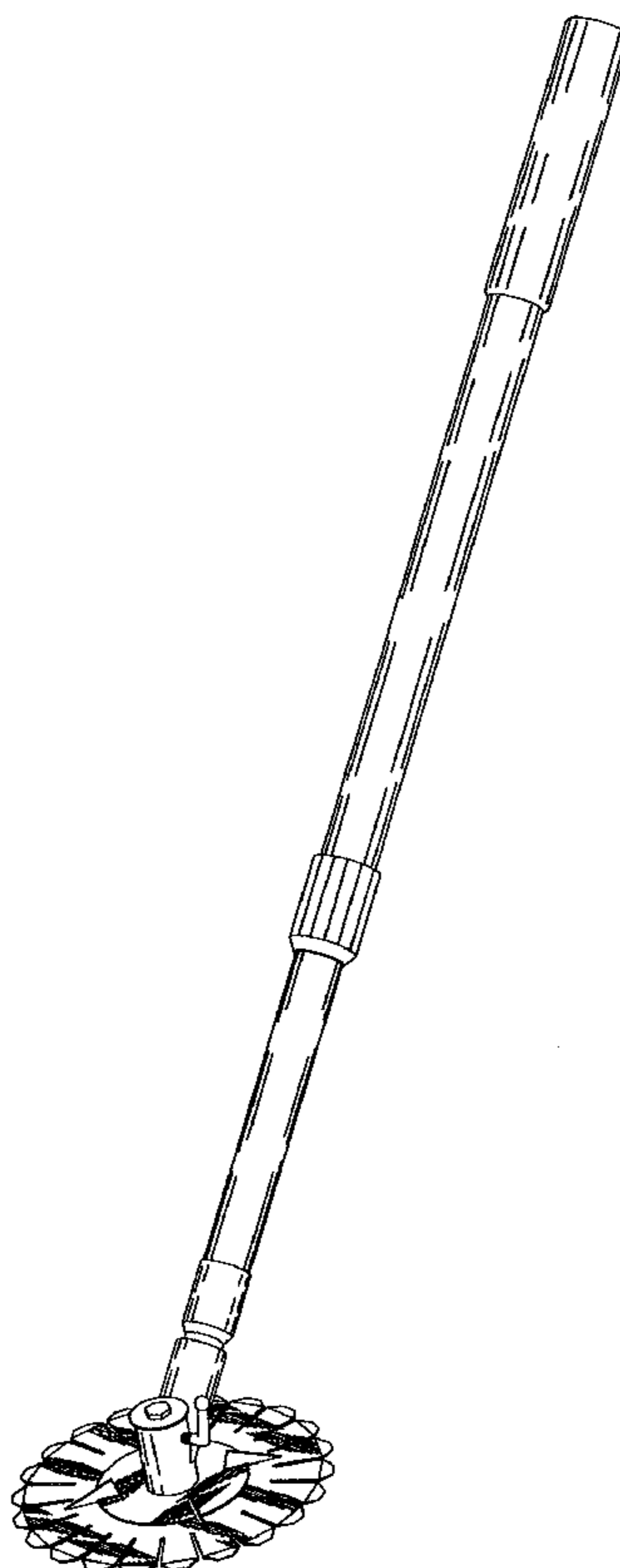
FIG. 5 is a rear elevational view thereof;

FIG. 6 is a right side view thereof; and

FIG. 7 is a left side view thereof; and,

FIG. 8 an enlarged and fragmentary perspective view of the lower portion of the roofing tear out shovel, showing my new design.

**1 Claim, 4 Drawing Sheets**



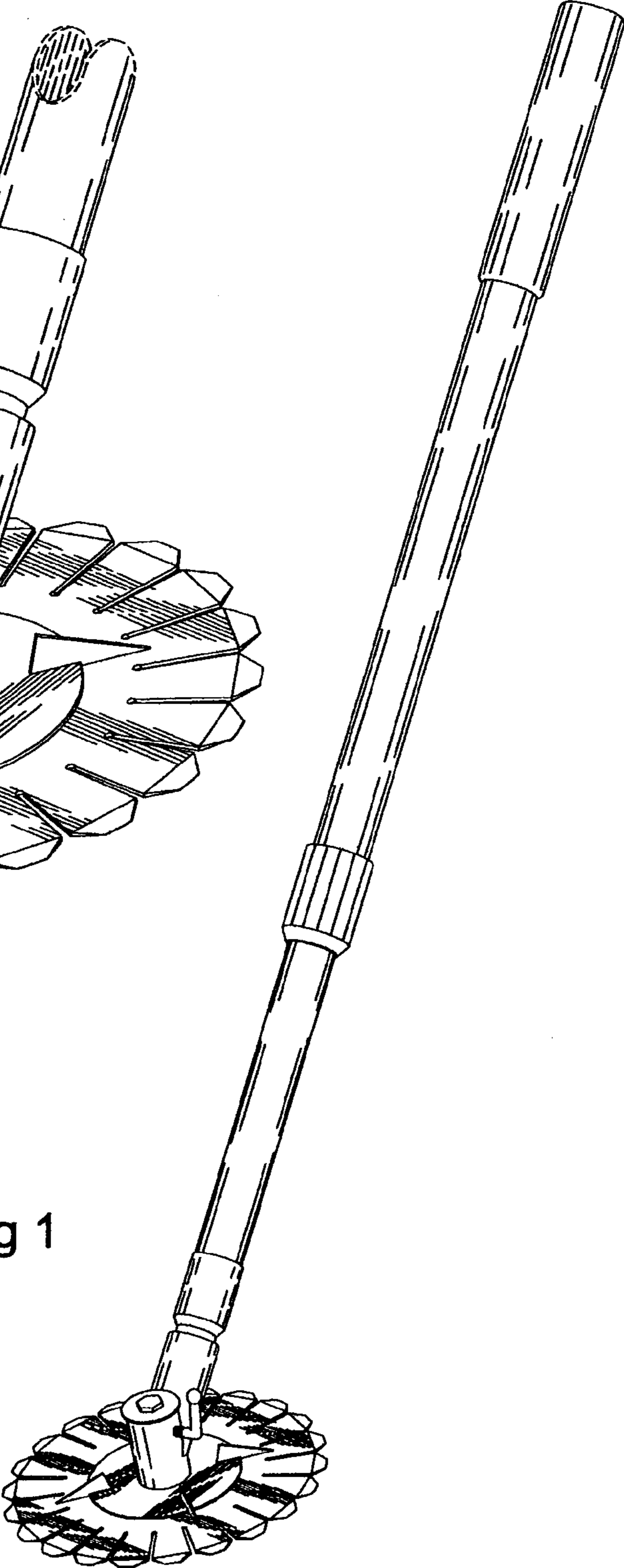
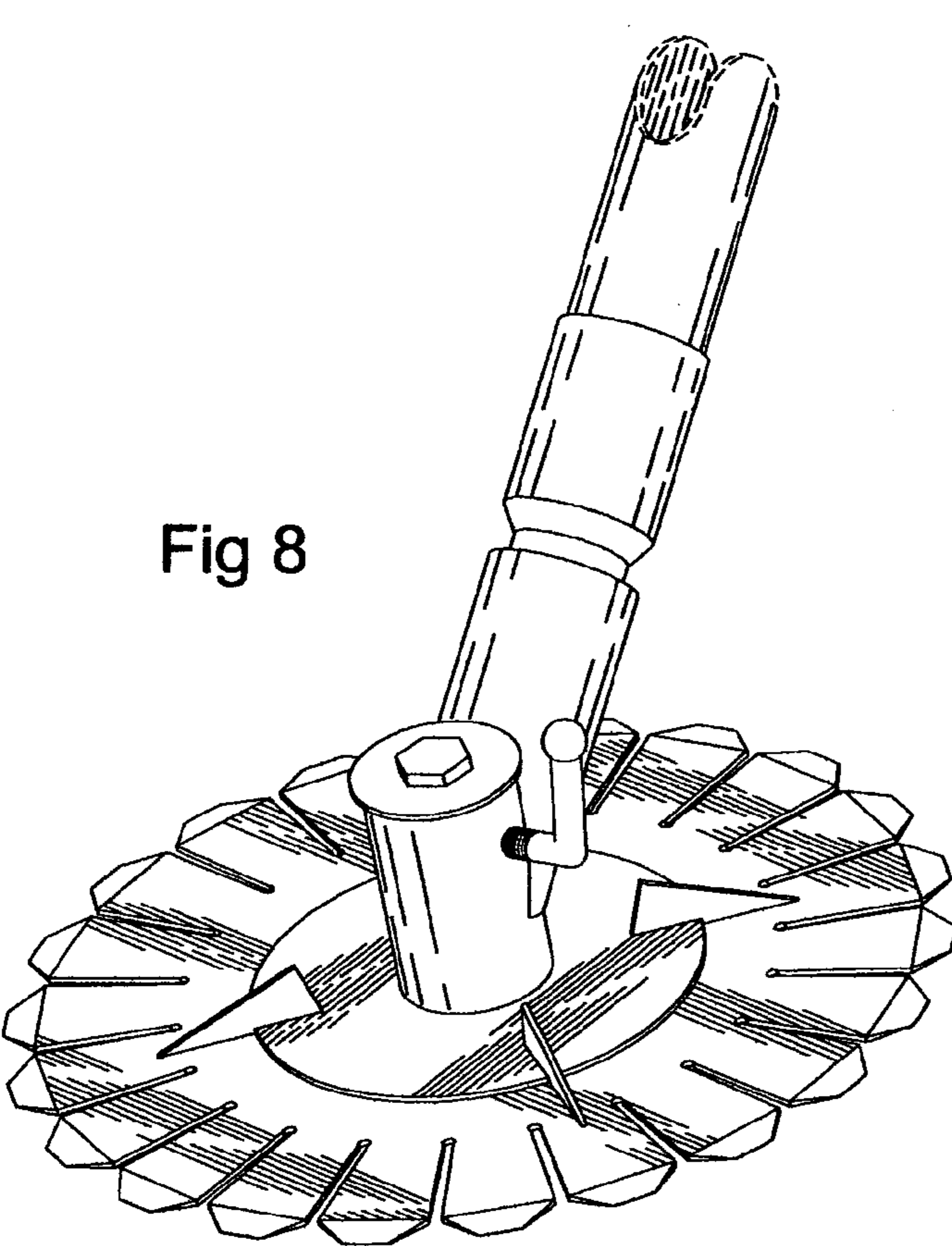


Fig 2

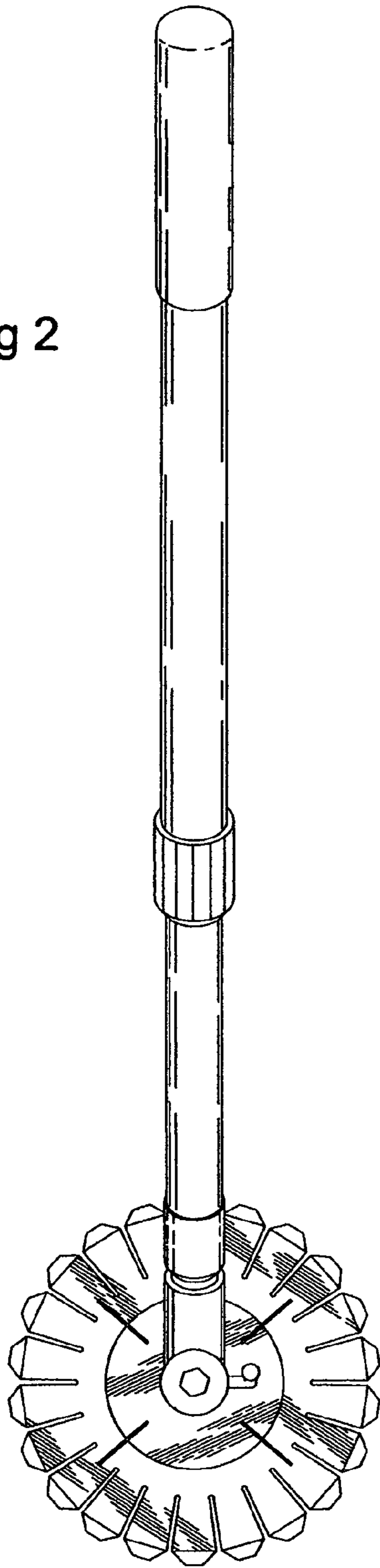


Fig 3

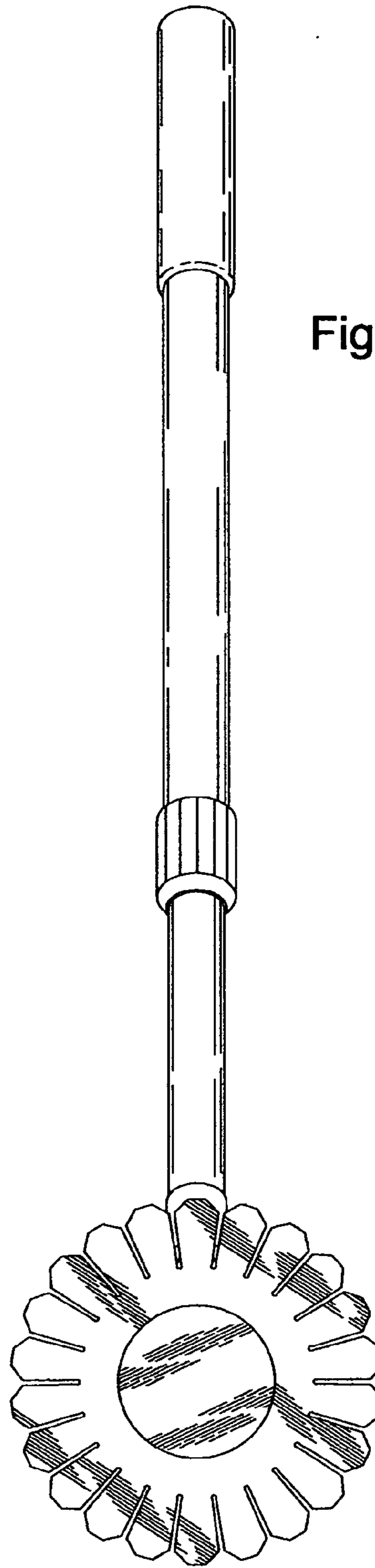


Fig 4

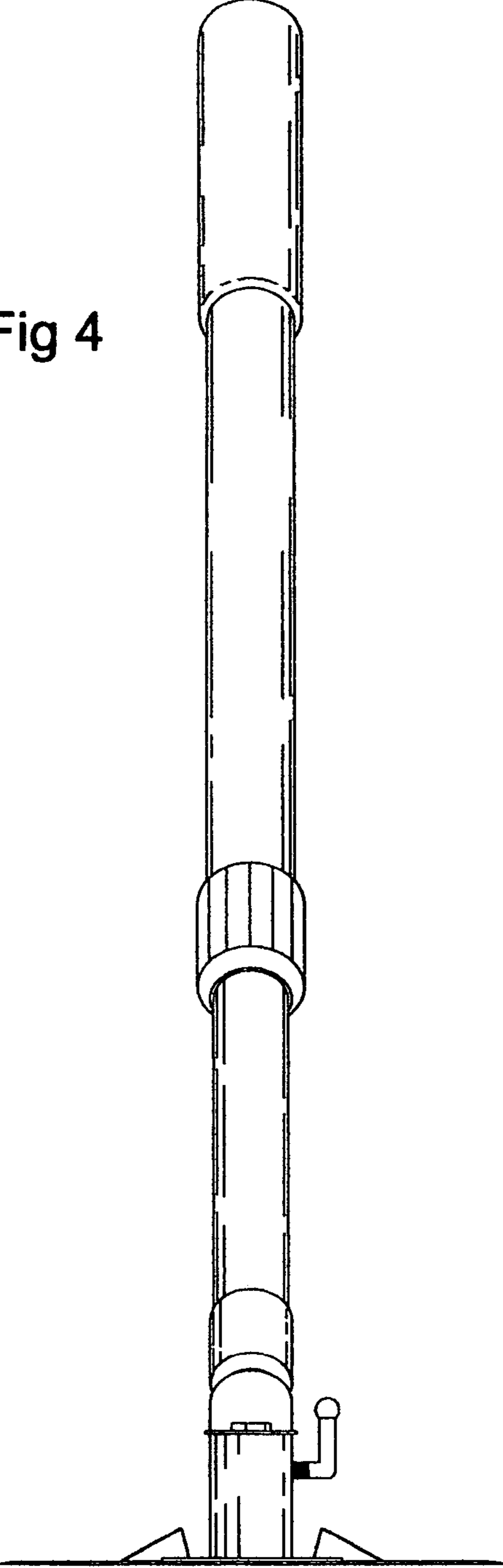


Fig 5

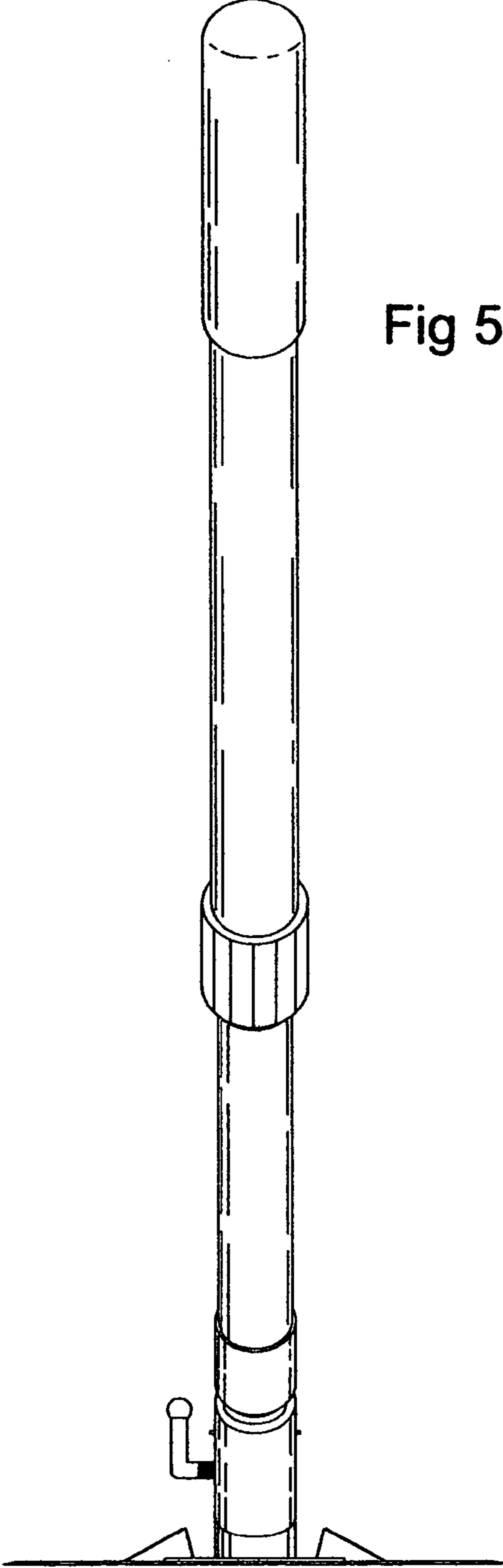


Fig 6

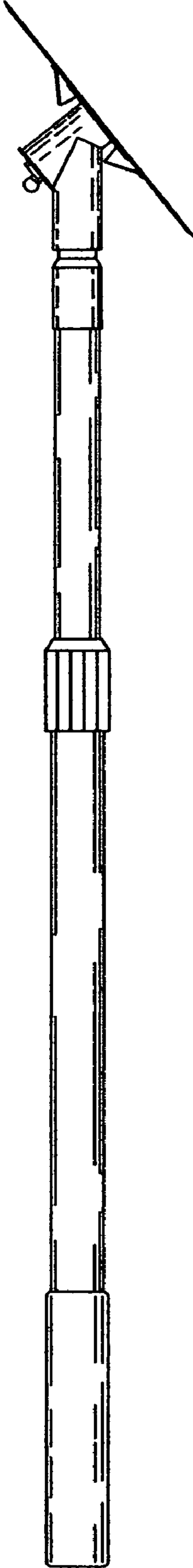


Fig 7

