

US00D564848S

(12) **United States Design Patent**
Salazar et al.

(10) **Patent No.: US D564,848 S**

(45) **Date of Patent: ** Mar. 25, 2008**

(54) **SELF-ADJUSTING OFFSET PIPE WRENCH**

(76) Inventors: **Ricardo Salazar**, 12522 Arlington Pl.,
Chino, CA (US) 91710; **Garney J.**
Baumgardner, 42 N. Thoreau Rd.,
Burnside, KY (US) 45219

(**) Term: **14 Years**

(21) Appl. No.: **29/264,468**

(22) Filed: **Aug. 10, 2006**

(51) **LOC (8) Cl. 08-05**

(52) **U.S. Cl. D8/23**

(58) **Field of Classification Search** D8/21-29,
D8/107, 86; 81/98, 99, 100, 119, 126, 129,
81/165, 166, 170, 172, 133, 124.3, 124.7,
81/129.5, 37, 341, 142, 144, 171, 55, 176.1,
81/176.2, 177.2, 177.3, 176.3, 177.85, 120,
81/121.1, 125, 177.1, 121.7, 436, 437, 418,
81/186, 179, 168, 169, 124.4, 124.6, 58-63.2,
81/3.09; 16/429, 176.1, 125.1, 186, 176.2
See application file for complete search history.

(56) **References Cited**

U.S. PATENT DOCUMENTS

2,559,973 A * 7/1951 Kunz 81/99
2,742,808 A * 4/1956 Haberle 81/99
2,875,659 A * 3/1959 Haberle 81/99
2,953,954 A * 9/1960 Ochsner 81/186

4,572,037 A * 2/1986 Jenq-Shyong 81/126
5,251,518 A * 10/1993 Woo 81/99
D474,380 S * 5/2003 Chartier et al. D8/23
7,044,030 B2 * 5/2006 Chartier et al. 81/99
7,096,764 B2 * 8/2006 Dong 81/99

* cited by examiner

Primary Examiner—Raphael Barkai
Assistant Examiner—Randall H Gholson

(57) **CLAIM**

The ornamental design for a self-adjusting offset pipe wrench, as shown and described.

DESCRIPTION

FIG. 1 is a perspective view of our self-adjusting offset pipe wrench showing our new design;
FIG. 2 is a right side elevation view thereof;
FIG. 3 is a left side elevation view thereof;
FIG. 4 is a top elevation view thereof;
FIG. 5 is a bottom elevation view thereof;
FIG. 6 is a front elevation view thereof; and,
FIG. 7 is a rear elevation view thereof.

The broken lines shown in FIG. 4 is included for the purpose of illustration and forms no part of the claimed design.

1 Claim, 2 Drawing Sheets

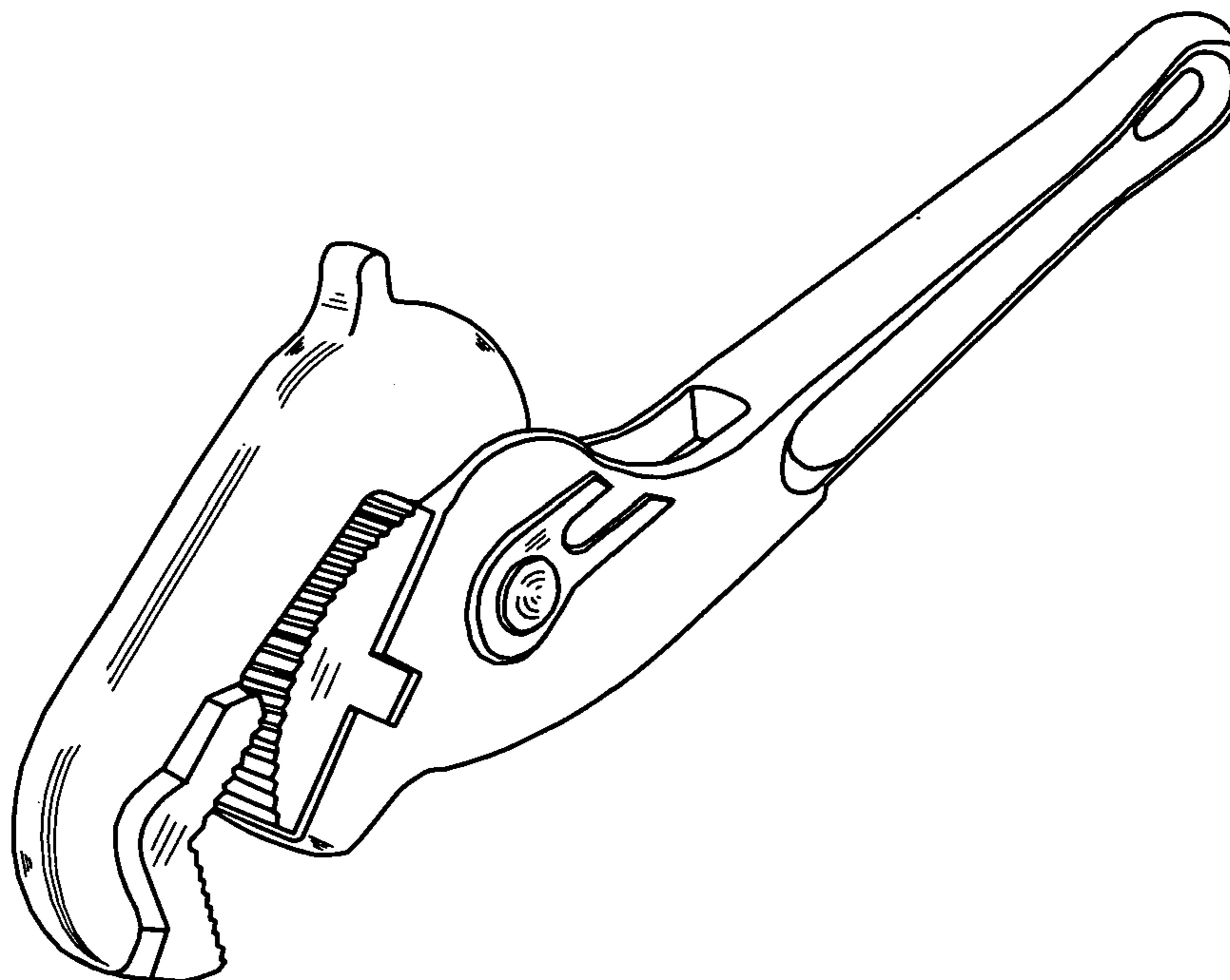


FIG. 1

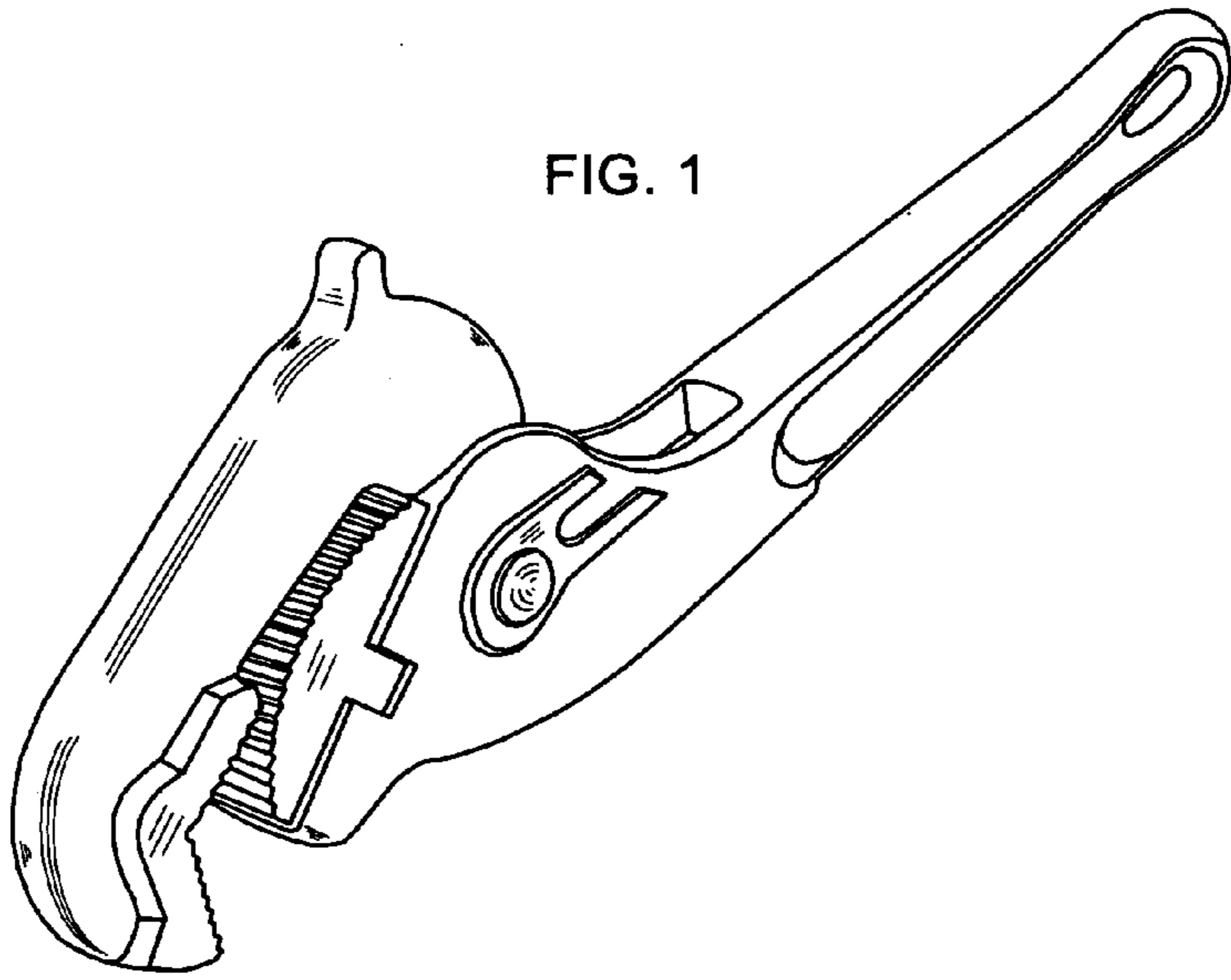


FIG. 2

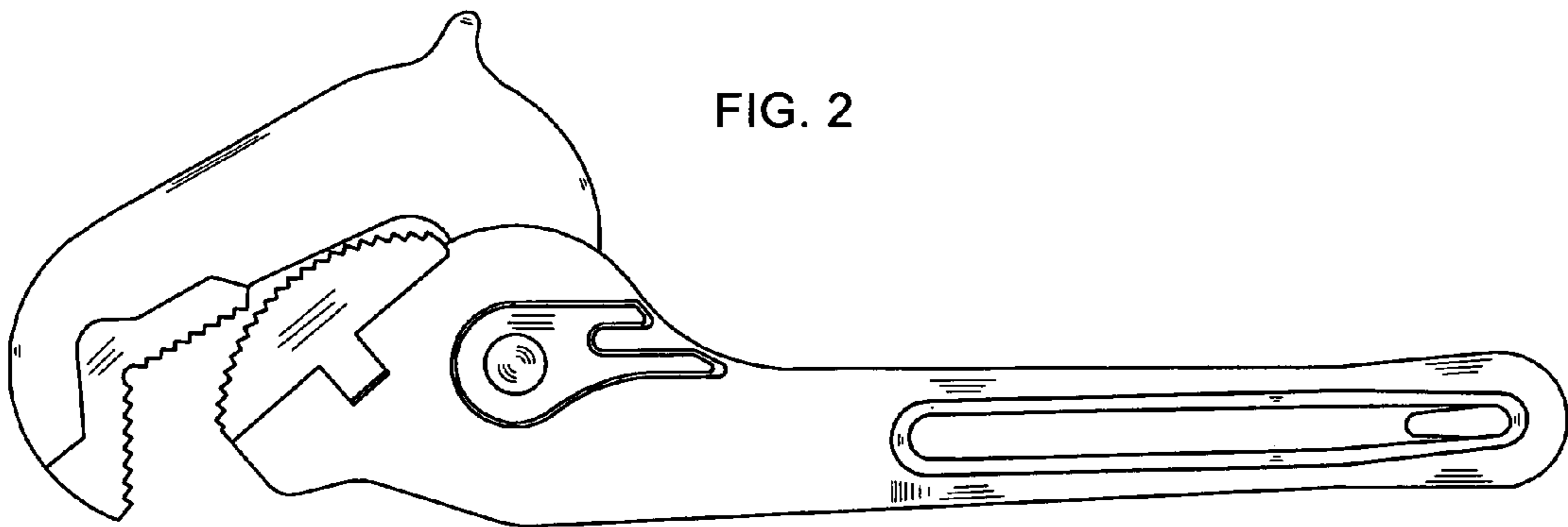


FIG. 3

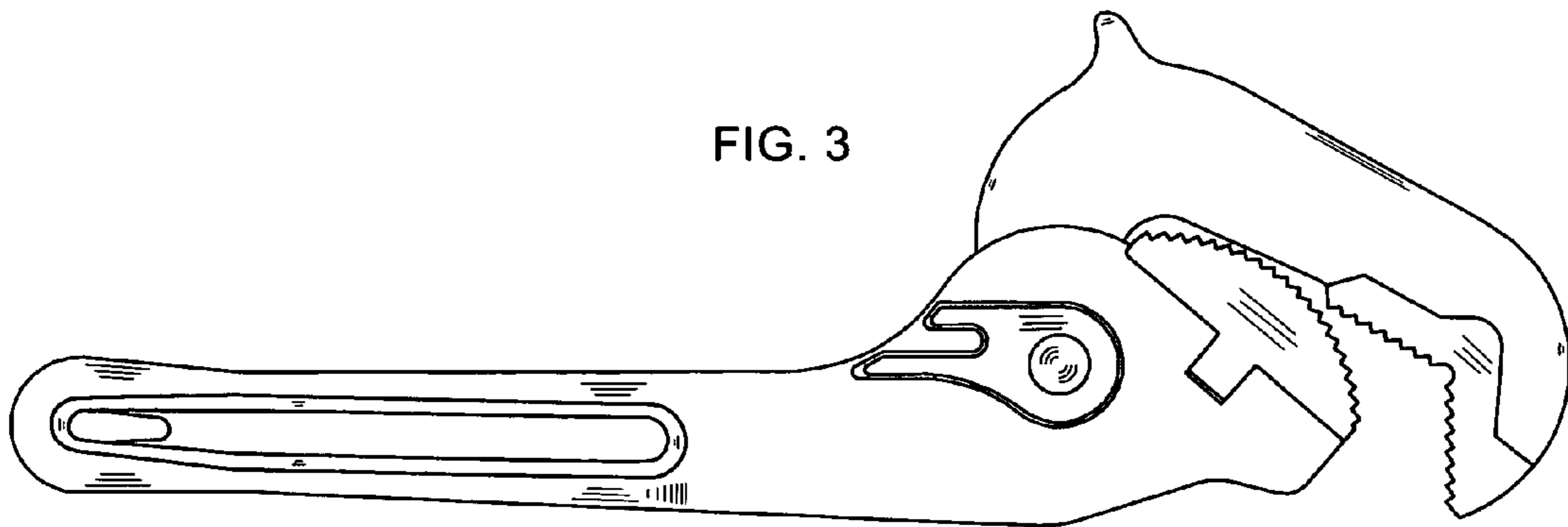


FIG. 4

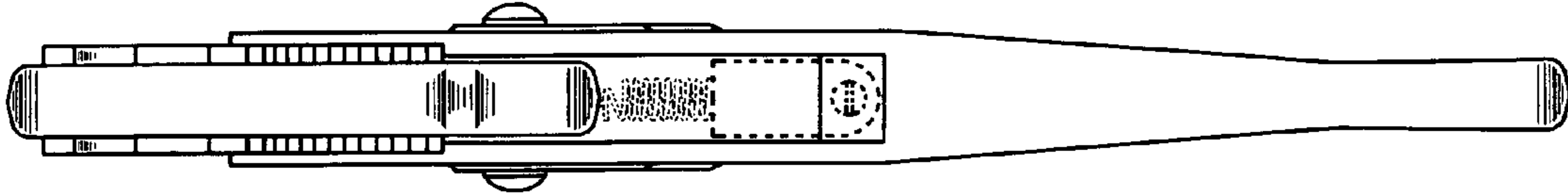


FIG. 5

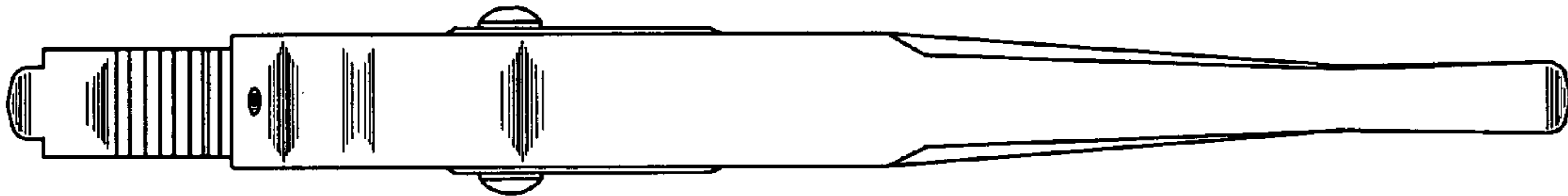


FIG. 6

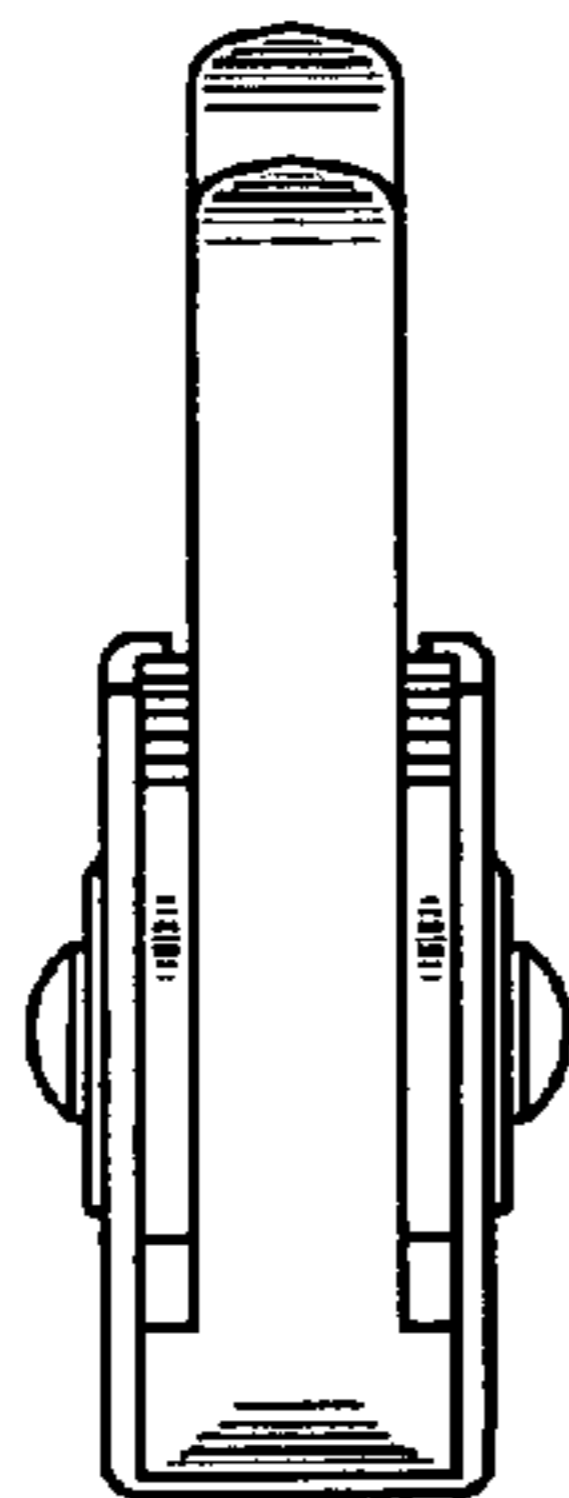


FIG. 7

