

US00D564847S

(12) **United States Design Patent**
Hurlburt

(10) **Patent No.:** **US D564,847 S**

(45) **Date of Patent:** **** Mar. 25, 2008**

(54) **TUNGSTEN ROD HOLDER**

Primary Examiner—Holly H. Baynham

(74) *Attorney, Agent, or Firm*—Chase Law Firm, L.C.

(76) **Inventor:** **Forrest Wayne Hurlburt**, 1907
Hackberry Ct., Grain Valley, MO (US)
64029

(57) **CLAIM**

The ornamental design for a tungsten rod holder, as shown and described.

(**) **Term:** **14 Years**

(21) **Appl. No.:** **29/269,261**

(22) **Filed:** **Nov. 27, 2006**

DESCRIPTION

(51) **LOC (8) Cl.** **08-05**

(52) **U.S. Cl.** **D8/14**

(58) **Field of Classification Search** D8/14;
248/539; 81/452

See application file for complete search history.

FIG. 1 is a front elevational view showing my new design with the button shown in phantom lines for illustrative purposes only and forms no part of the claimed design;

FIG. 2 is a top view of FIG. 1 showing my new design;

FIG. 3 is a bottom view of FIG. 1 showing my new design;

FIG. 4 is a perspective view of FIG. 1 showing my new design;

FIG. 5 is an alternative embodiment of FIG. 1 showing my new design; and,

FIG. 6 is a perspective view of FIG. 5 showing my new design.

(56) **References Cited**

U.S. PATENT DOCUMENTS

2,680,588	A *	6/1954	Wright	248/539
4,597,563	A *	7/1986	Persbeck	266/77
6,458,115	B1 *	10/2002	Lindqvist et al.	604/391
D499,789	S *	12/2004	Bridgewater	D22/147
7,137,322	B2 *	11/2006	Mark et al.	81/452

* cited by examiner

1 Claim, 1 Drawing Sheet

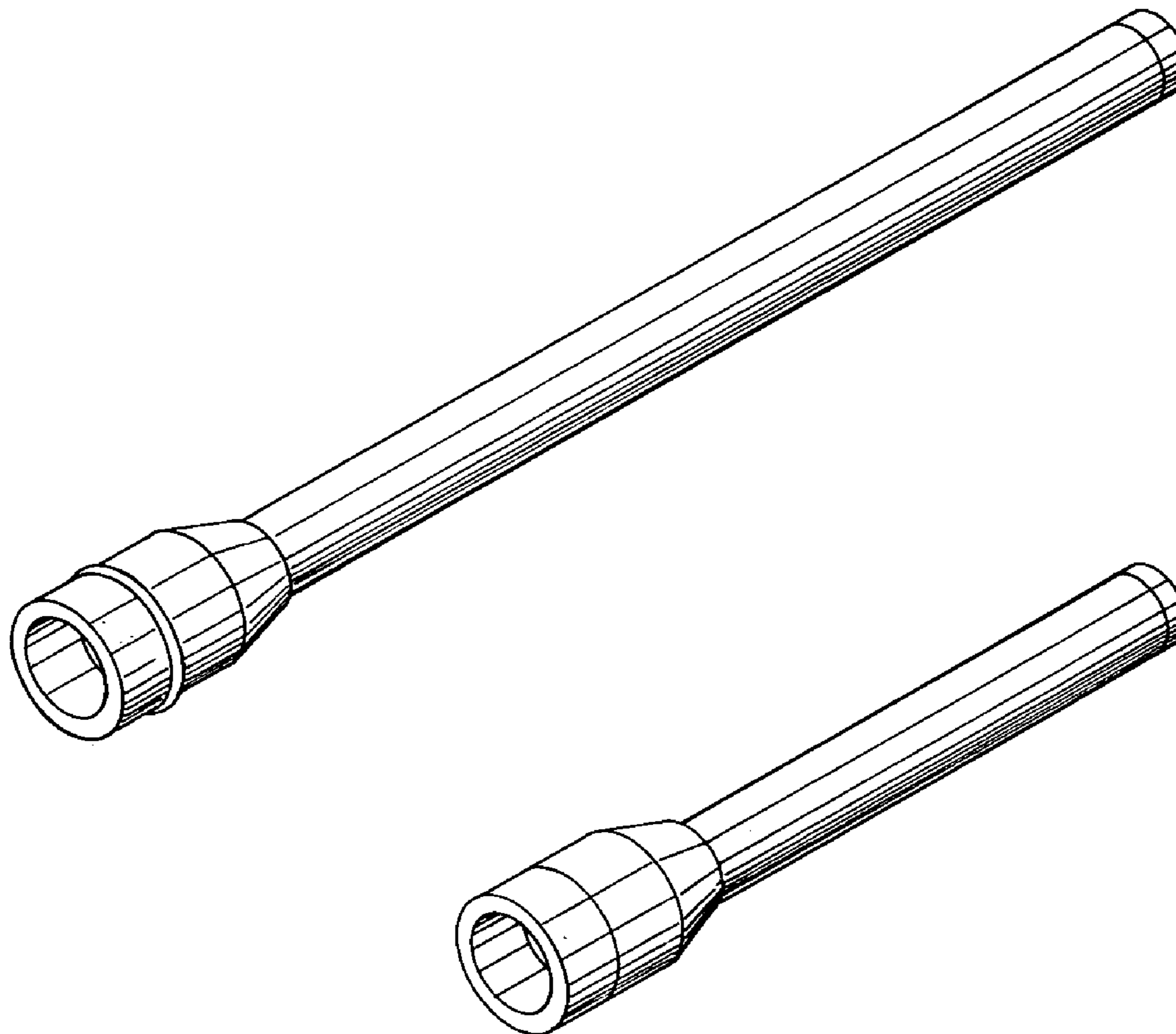




Fig. 1

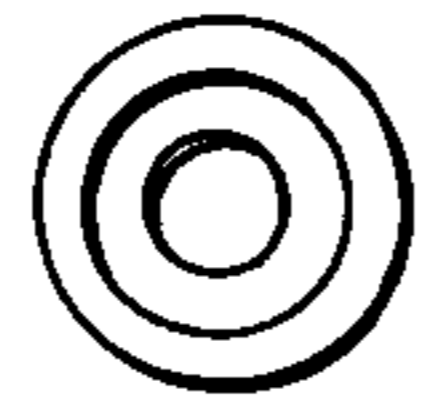


Fig. 2



Fig. 3

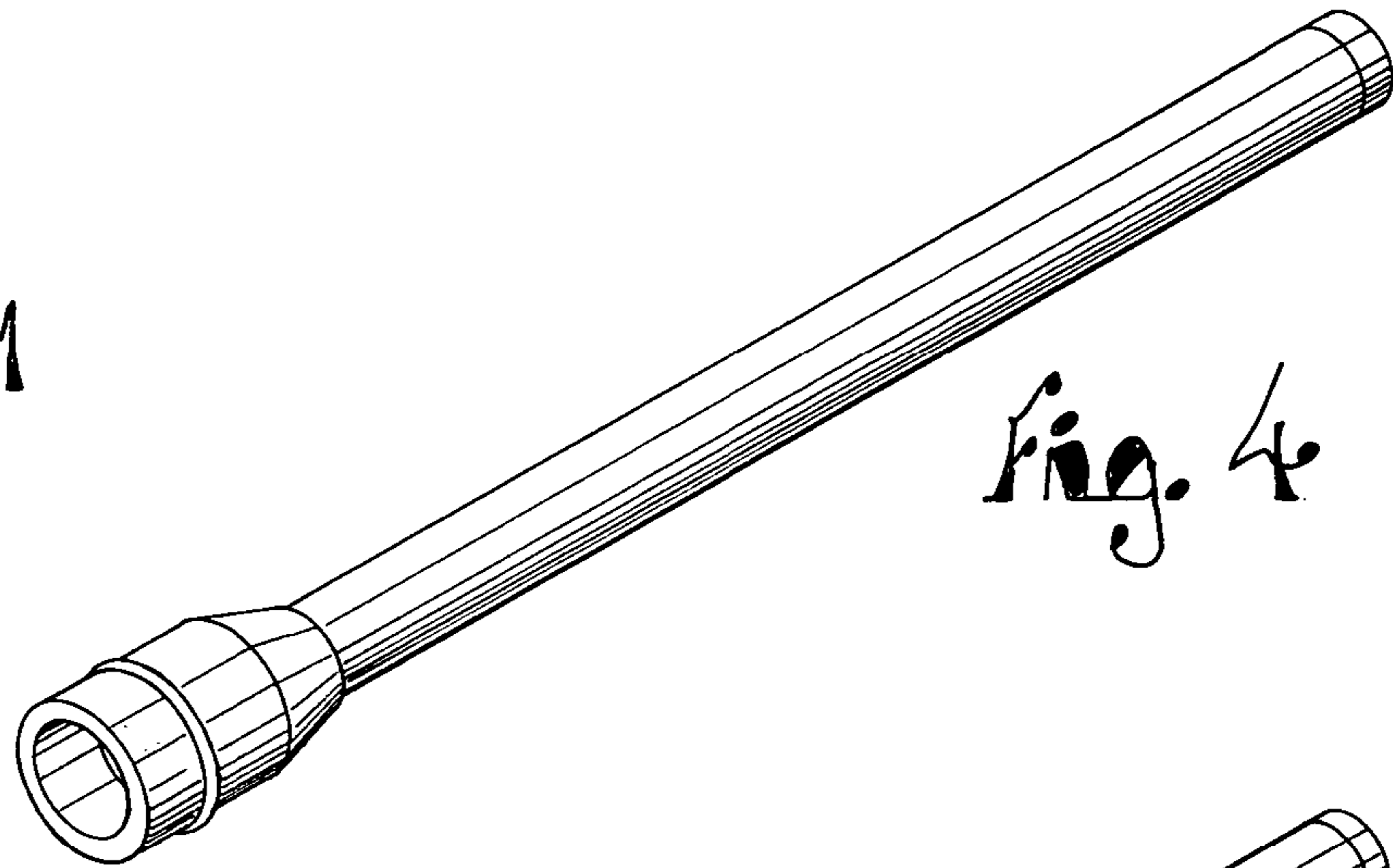


Fig. 4

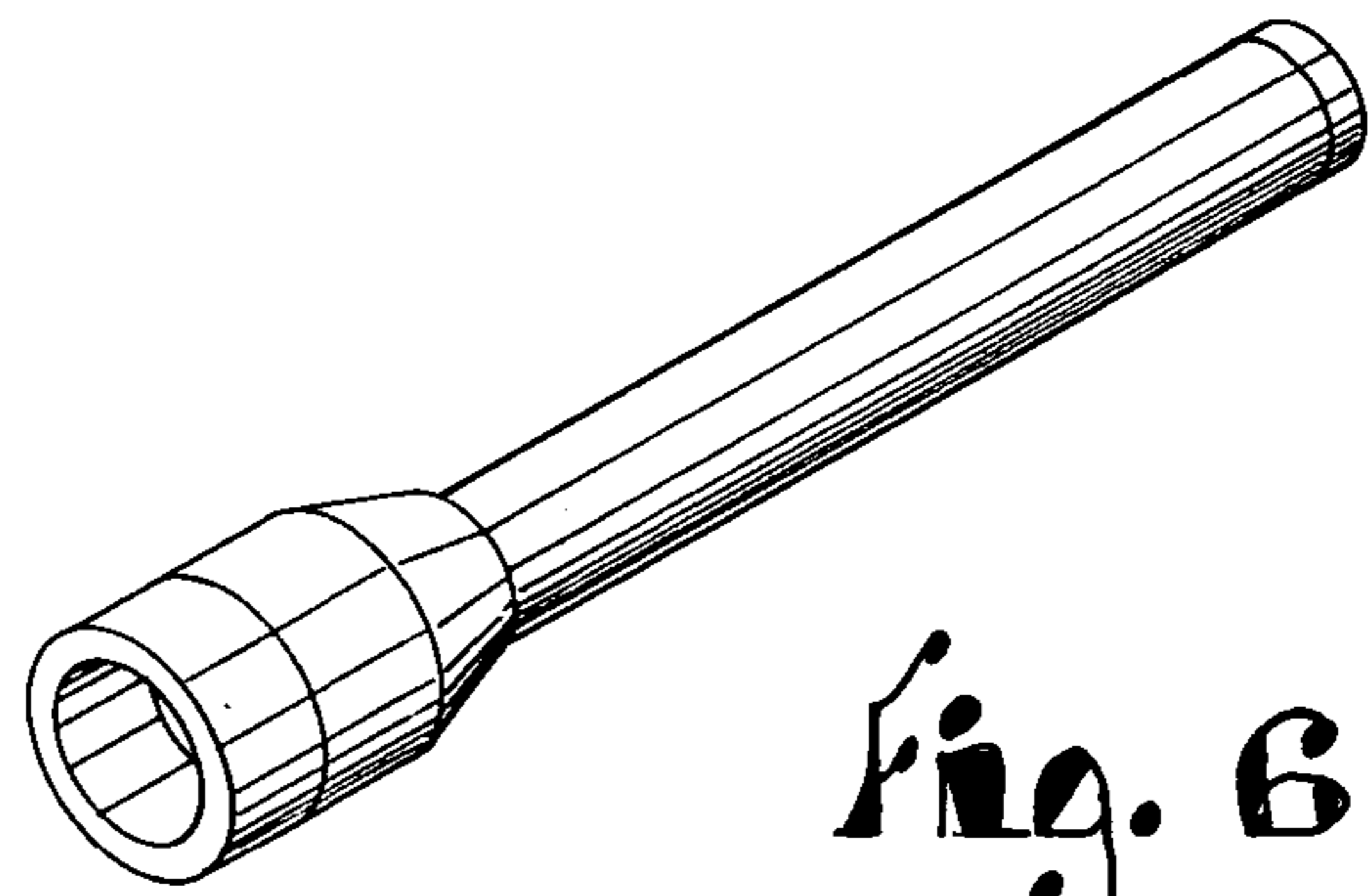


Fig. 6

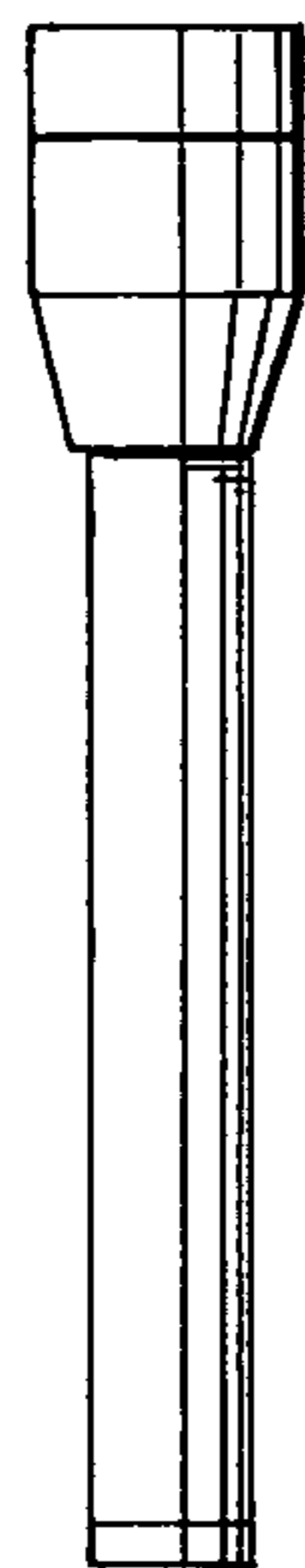


Fig. 5