



US00D564846S

(12) **United States Design Patent**
Kopp

(10) **Patent No.:** **US D564,846 S**

(45) **Date of Patent:** **** Mar. 25, 2008**

(54) **COMPACTED SNOW SHOVEL**

(75) Inventor: **Robert G. Kopp**, Wheaton, IL (US)

(73) Assignee: **Suncast Corporation**, Batavia, IL (US)

(**) Term: **14 Years**

(21) Appl. No.: **29/266,383**

(22) Filed: **Sep. 20, 2006**

(51) **LOC (8) Cl.** **08-01**

(52) **U.S. Cl.** **D8/10**

(58) **Field of Classification Search** D8/1,
D8/10; 294/54.5, 49; 7/116

See application file for complete search history.

(56) **References Cited**

U.S. PATENT DOCUMENTS

258,260	A	*	5/1882	Staples	37/265
1,445,952	A	*	2/1923	Hooper	37/265
1,888,170	A	*	11/1932	Hornbaker	294/49
D214,636	S	*	7/1969	Zahler	D8/10
3,475,838	A	*	11/1969	Hagen et al.	37/265
3,751,058	A	*	8/1973	Larsen	280/30
4,161,073	A	*	7/1979	Oakes	37/265
4,193,626	A	*	3/1980	Vondracek	37/265
D261,351	S	*	10/1981	Carper	8/10
D271,369	S	*	11/1983	Gesner	D8/10
4,531,713	A	*	7/1985	Balboni	254/131.5
D305,603	S	*	1/1990	Nelson et al.	D15/11
D328,553	S	*	8/1992	Norton et al.	D8/10
D333,074	S	*	2/1993	Ciccarelli	D8/10
D336,709	S	*	6/1993	Walkley et al.	D34/24
D375,235	S	*	11/1996	Spear et al.	D8/10
D375,882	S	*	11/1996	Ritchie et al.	D8/10
5,577,786	A	*	11/1996	Laine	294/54.5
D376,965	S	*	12/1996	Spear et al.	D8/10
D378,890	S	*	4/1997	Furno	D3/10

D380,360	S	*	7/1997	Scruggs	D8/10
D405,665	S	*	2/1999	Whitehead et al.	D8/10
5,887,919	A	*	3/1999	Sallinen et al.	294/54.5
D415,663	S	*	10/1999	Whitehead et al.	D8/10
D417,825	S	*	12/1999	Tisbo et al.	D8/10
D475,257	S	*	6/2003	Somers	D8/10

* cited by examiner

Primary Examiner—Holly H. Baynham

Assistant Examiner—Sheryl Friedman

(74) *Attorney, Agent, or Firm*—McHale & Slavin, P.A.

(57) **CLAIM**

The ornamental design for a compacted snow shovel, as shown and described.

DESCRIPTION

FIG. 1 is a front perspective view of the compacted snow shovel of the instant invention;

FIG. 2 is a rear perspective view of the instant invention;

FIG. 3 is a front plan view of the instant invention;

FIG. 4 is a rear plan view of the instant invention;

FIG. 5 is a left plan view of the instant invention;

FIG. 6 is a right plan view of the instant invention;

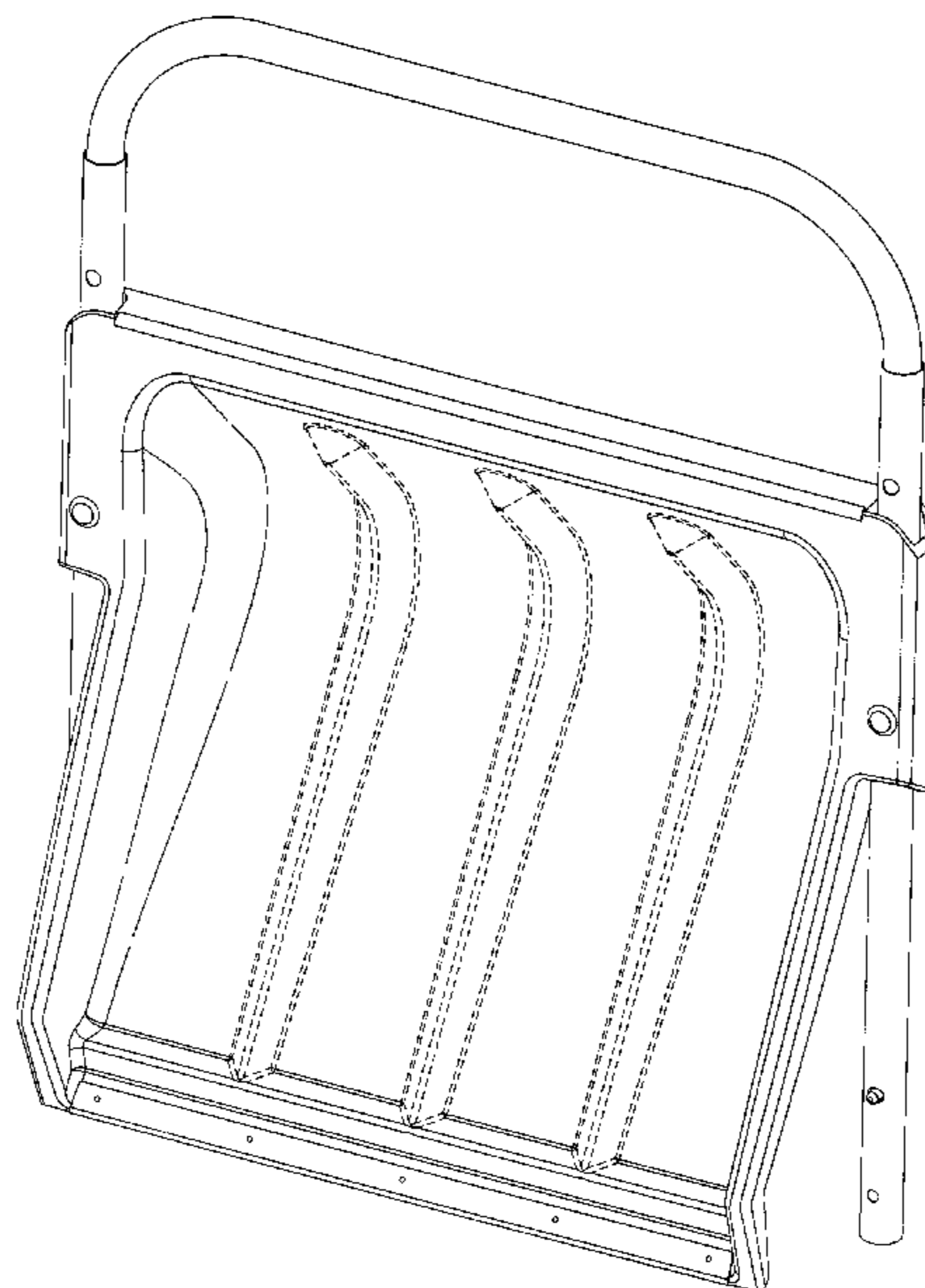
FIG. 7 is a top view of the instant invention; and,

FIG. 8 is a bottom view of the instant invention.

The portions of the shovel shown in broken lines are included for the purpose of illustrating environment and form no part of the claimed design.

The broken line showing of the shovel is included for the purpose of illustrating environment and forms no part of the claimed design.

1 Claim, 6 Drawing Sheets



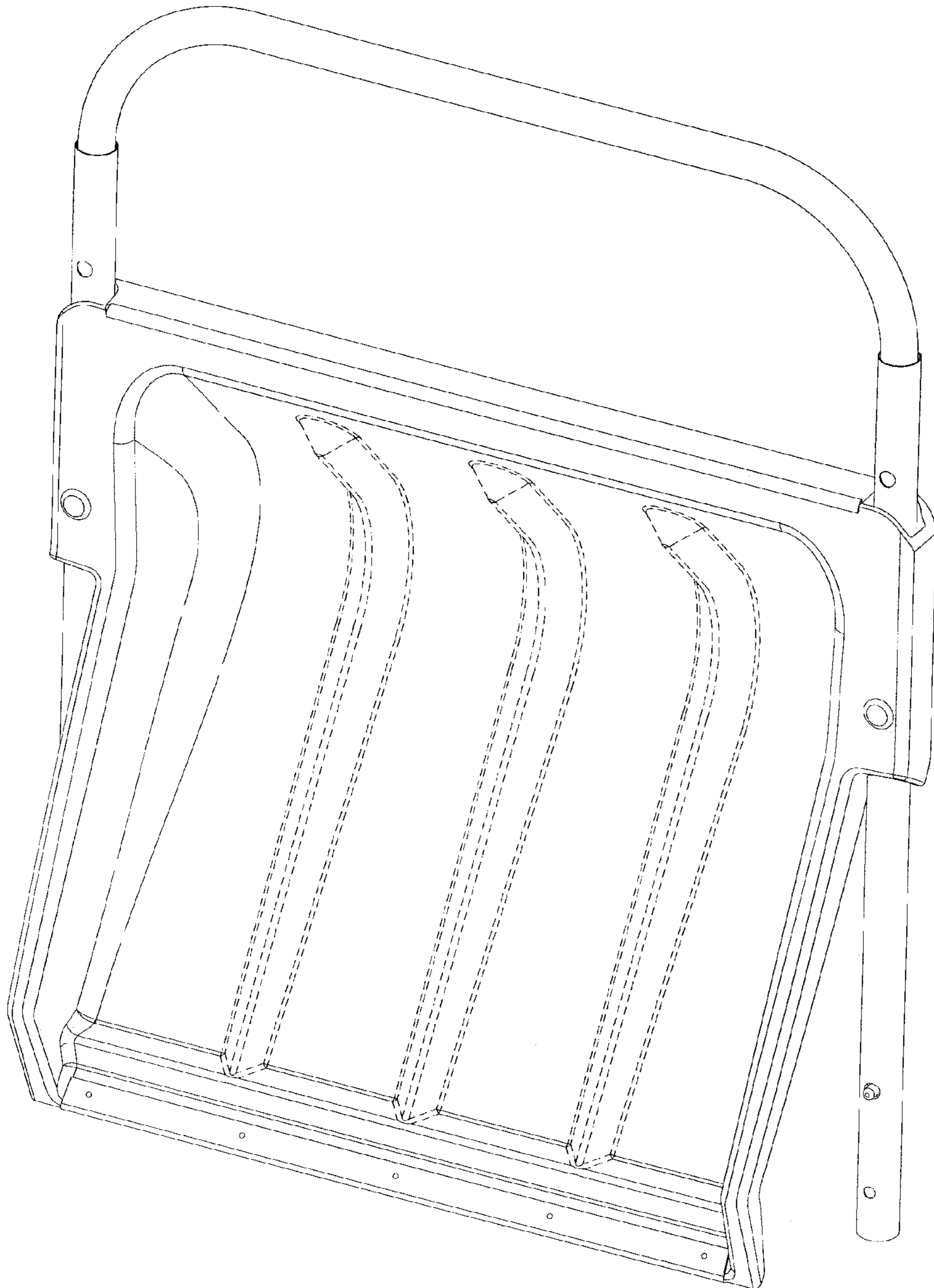


Fig. 1

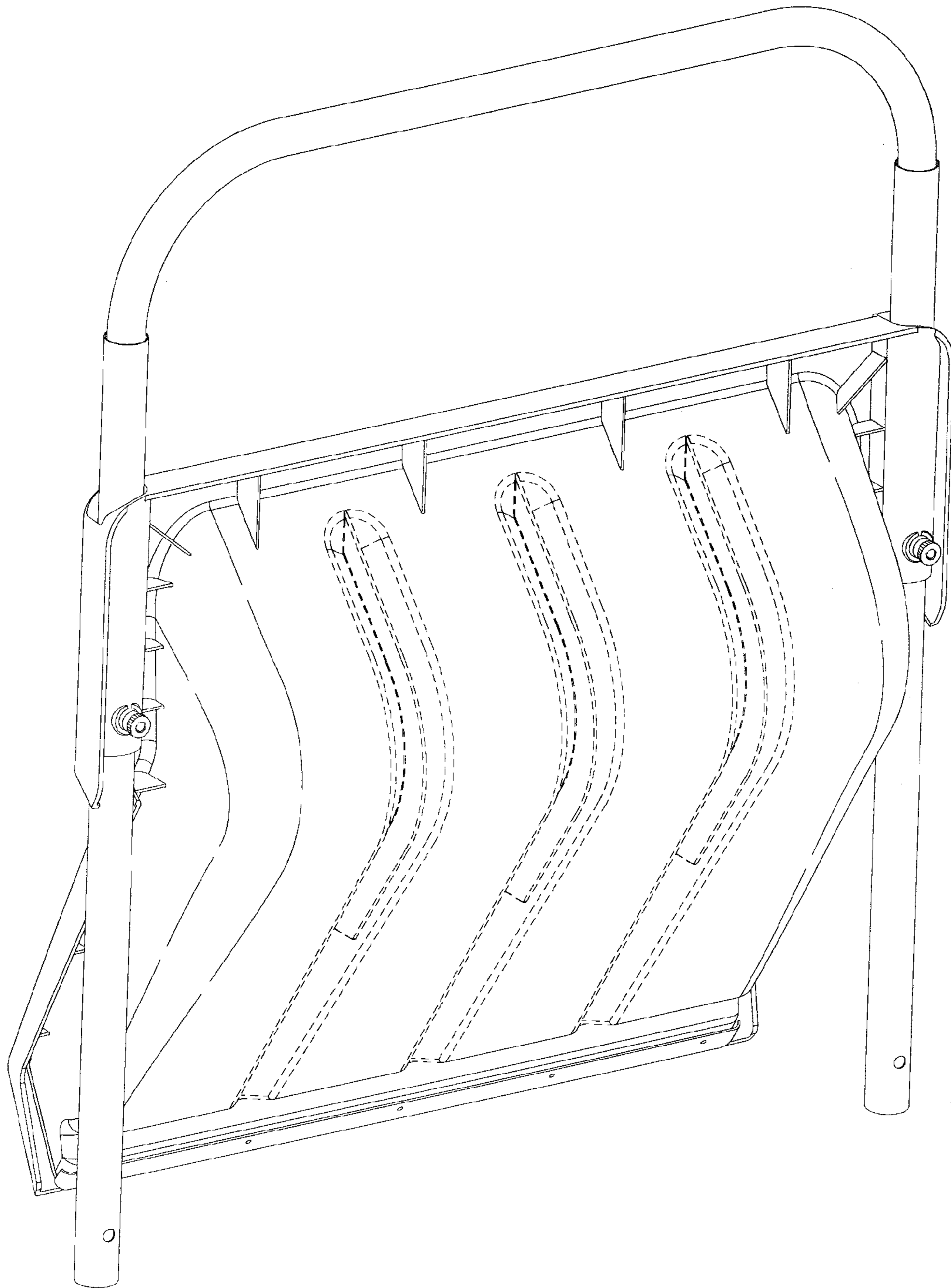


Fig. 2

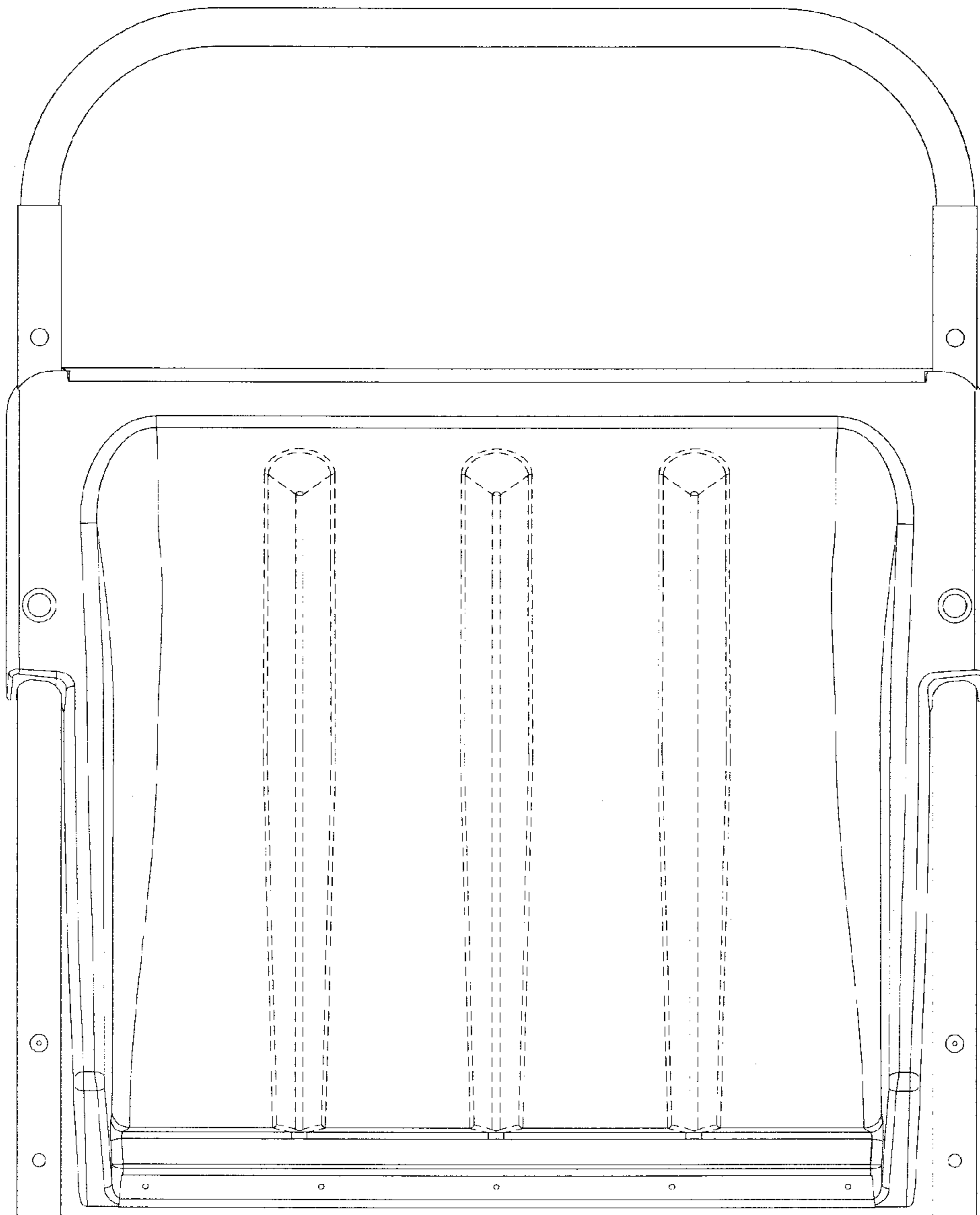


Fig. 3

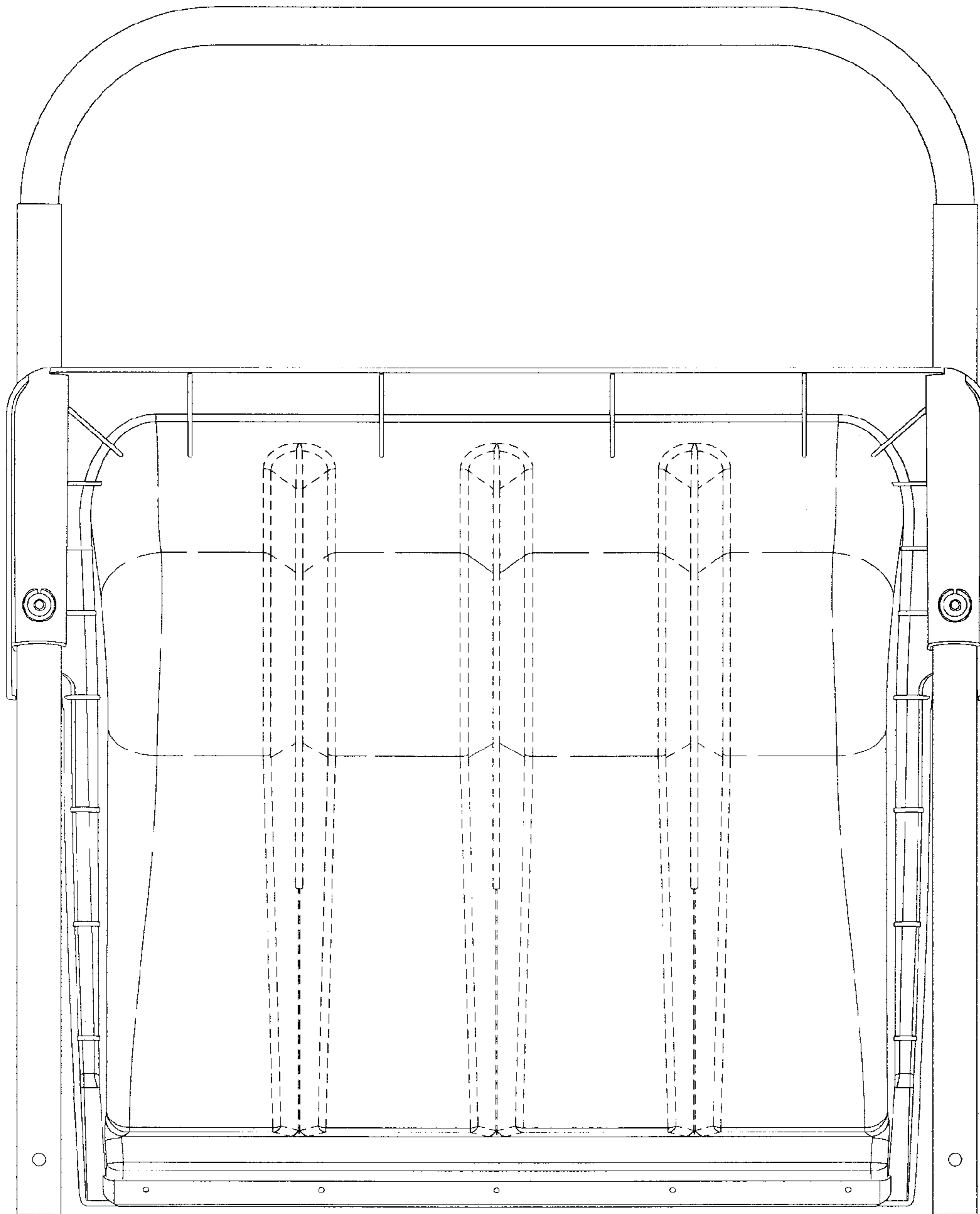


Fig. 4

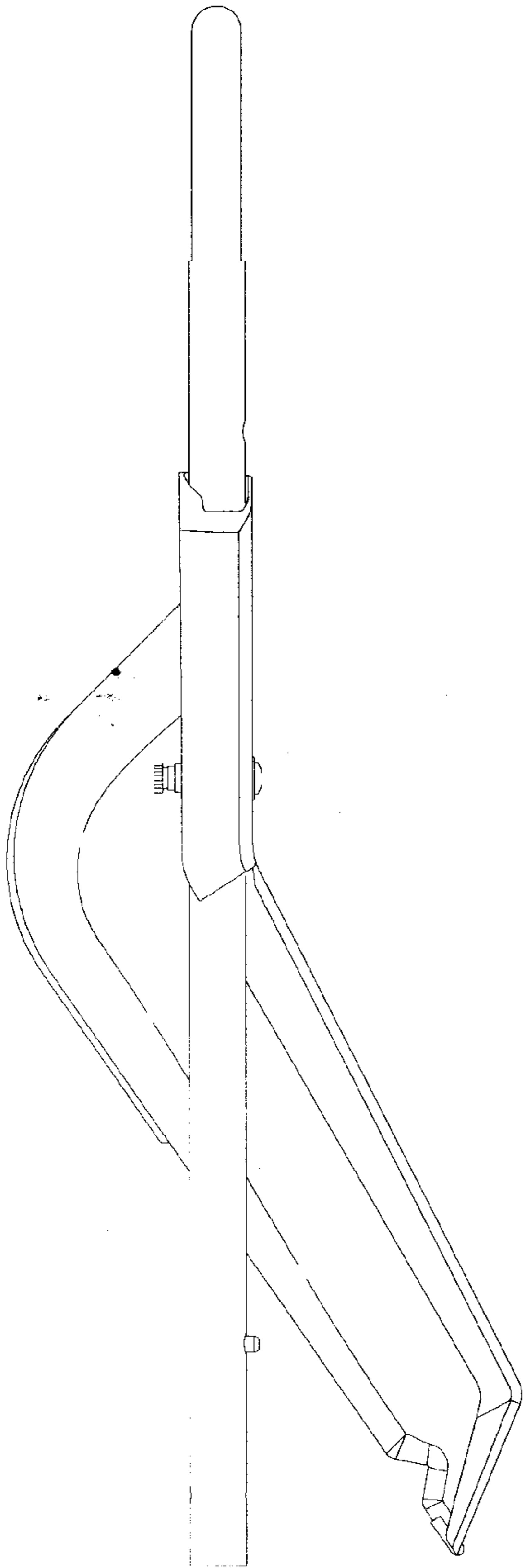


Fig. 5

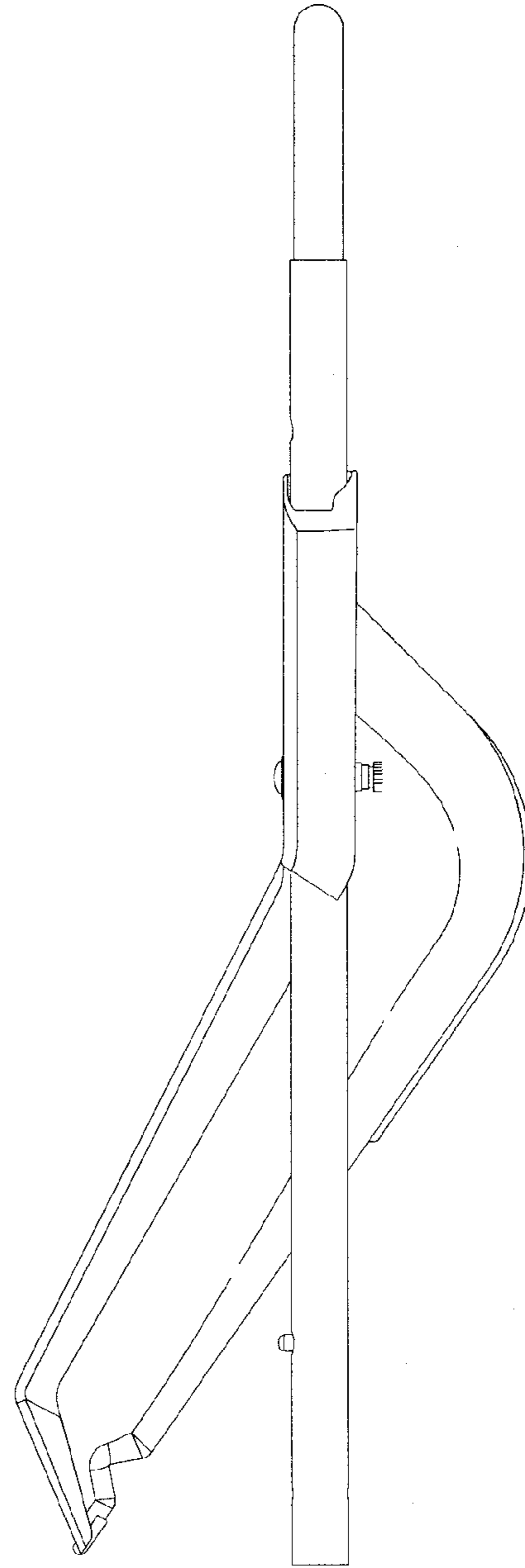


Fig. 6

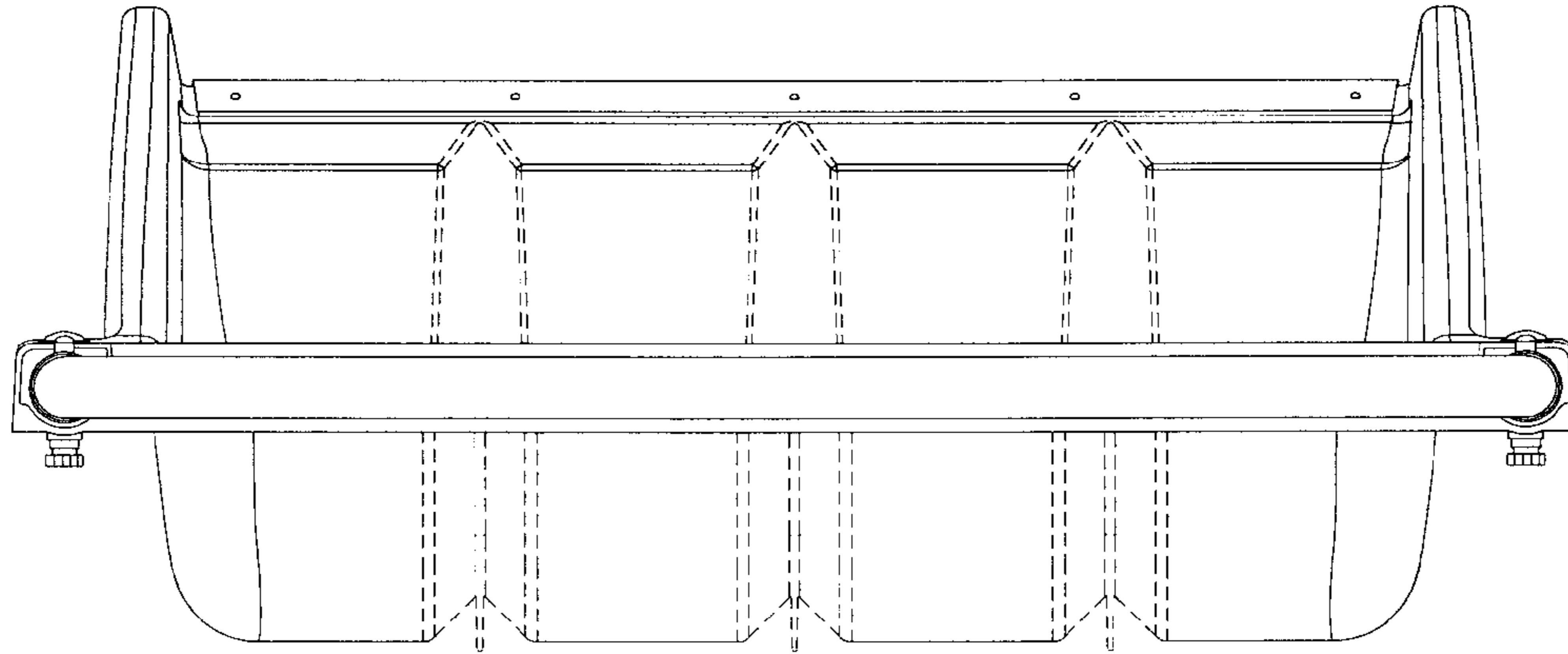


Fig. 7

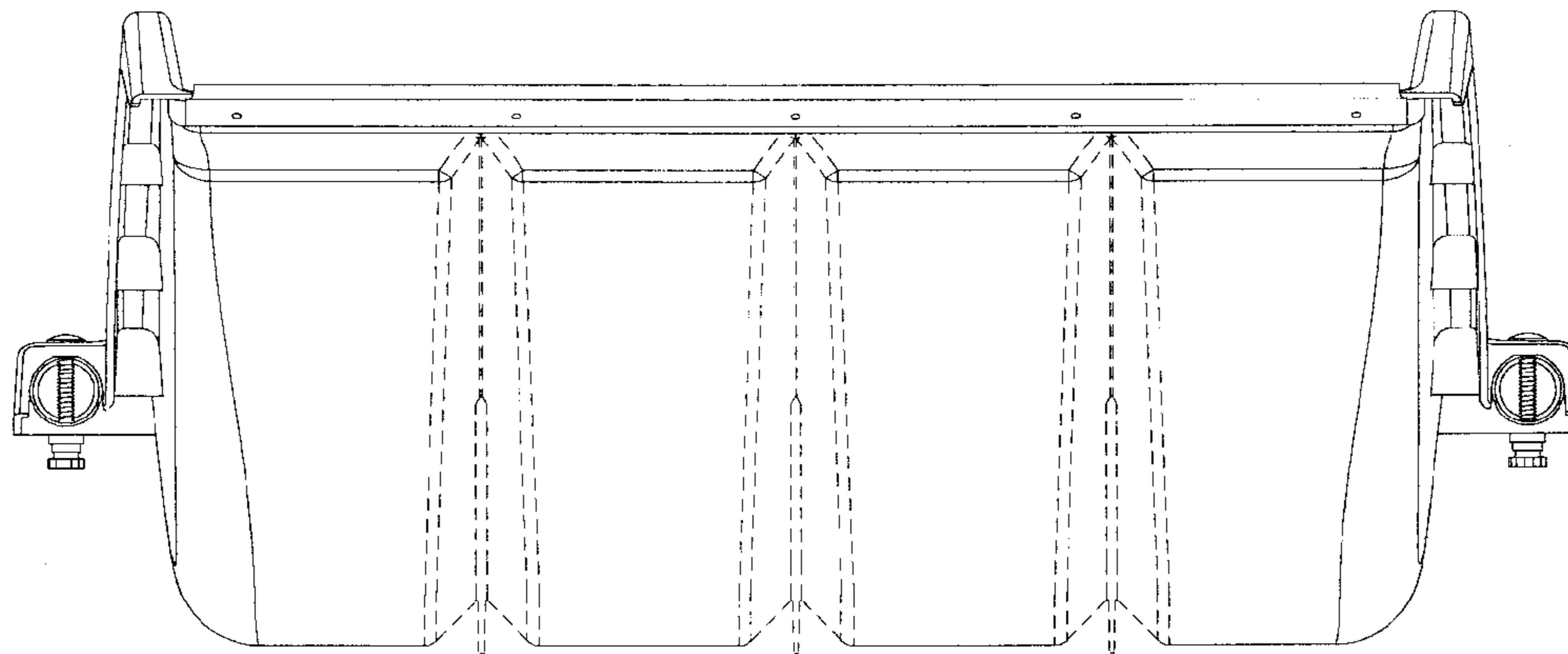


Fig. 8