



US00D564837S

(12) **United States Design Patent**
Green et al.

(10) **Patent No.:** **US D564,837 S**
(45) **Date of Patent:** **** Mar. 25, 2008**

(54) **PORTION OF AN APPLIANCE**

(75) Inventors: **Daniel Hartley Green**, Nashville, TN
(US); **Vittorio Cascianelli**, Anderson,
SC (US)

(73) Assignee: **Electrolux Home Products, Inc.**,
Cleveland, OH (US)

(**) Term: **14 Years**

(21) Appl. No.: **29/297,575**

(22) Filed: **Nov. 14, 2007**

(51) **LOC (8) Cl.** **07-02**

(52) **U.S. Cl.** **D7/406**

(58) **Field of Classification Search** D7/339-341,
D7/346-349, 402, 405, 406; 126/21 A, 39 B,
126/21 R, 273 A; 219/391-394
See application file for complete search history.

(56) **References Cited**

U.S. PATENT DOCUMENTS

D271,269 S	*	11/1983	Vetter et al.	D7/407
D277,448 S	*	2/1985	Vetter et al.	D7/346
D277,449 S	*	2/1985	Vetter et al.	D7/346
D293,068 S	*	12/1987	Cerola	D7/346
D369,514 S	*	5/1996	Baldwin	D7/406
D464,229 S	*	10/2002	Baldwin et al.	D7/340
D469,657 S	*	2/2003	Becker et al.	D7/405
D470,720 S	*	2/2003	Jones et al.	D7/405

D491,411 S	*	6/2004	De Mello	D7/340
D500,628 S	*	1/2005	Laundroche et al.	D7/346
D521,317 S	*	5/2006	Hessen et al.	D7/405
D547,609 S	*	7/2007	Chung	D7/406
D555,976 S	*	11/2007	Baldwin	D7/405

* cited by examiner

Primary Examiner—Robert A. Delehanty

Assistant Examiner—Mark Cavanna

(74) *Attorney, Agent, or Firm*—Banner & Witcoff, Ltd.

(57) **CLAIM**

The ornamental design for a portion of an appliance, as shown and described.

DESCRIPTION

FIG. 1 is a front perspective view of a portion of an appliance showing our new design;

FIG. 2 is a top view thereof;

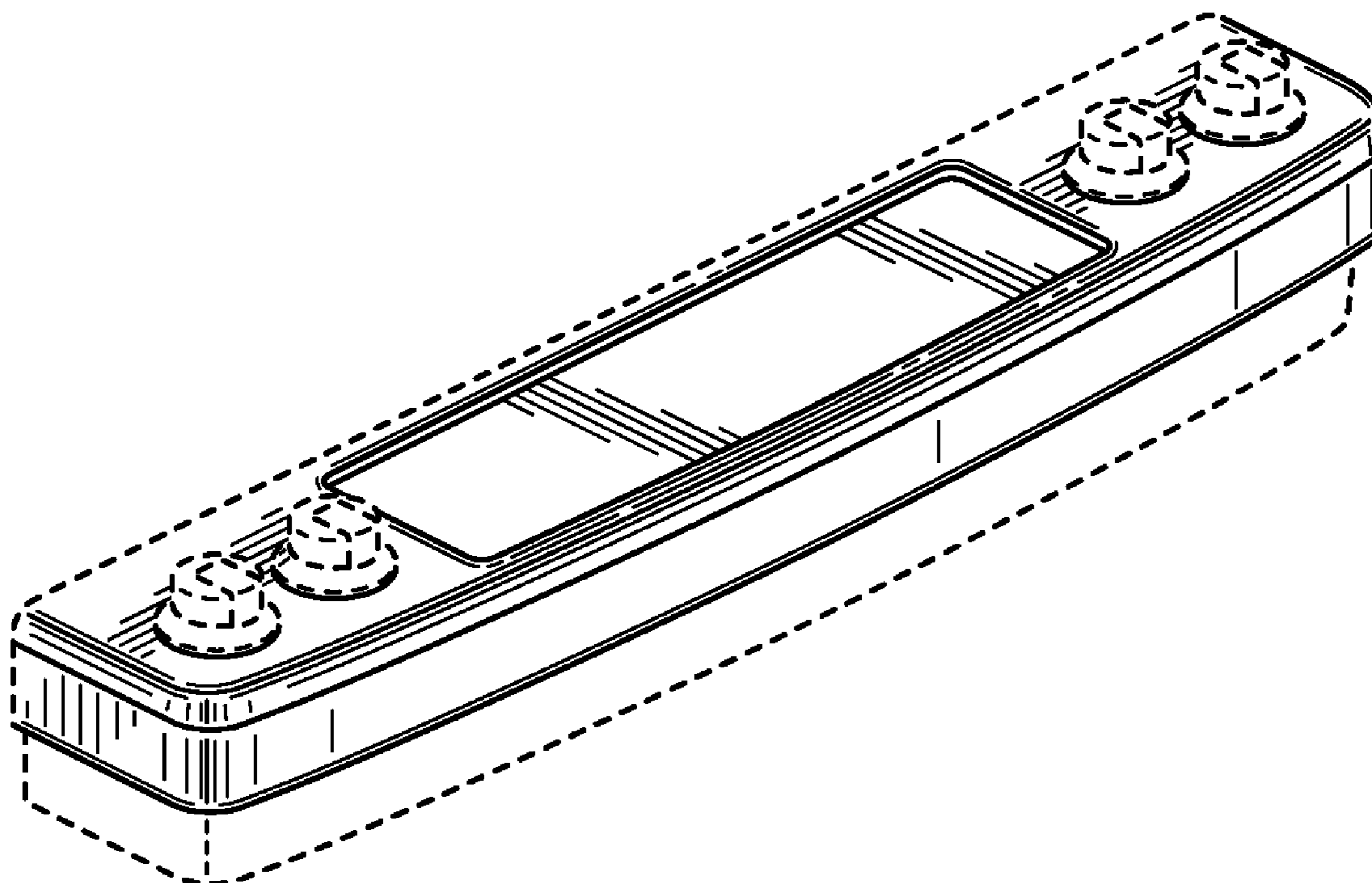
FIG. 3 is a front view thereof;

FIG. 4 is a right side view thereof; and,

FIG. 5 is a left side view thereof.

The unshown bottom of the portion of an appliance forms no part of the claimed design. The broken line showing of various regions, including the unshaded areas therein, is for illustrative purposes only and forms no part of the claimed design.

1 Claim, 1 Drawing Sheet



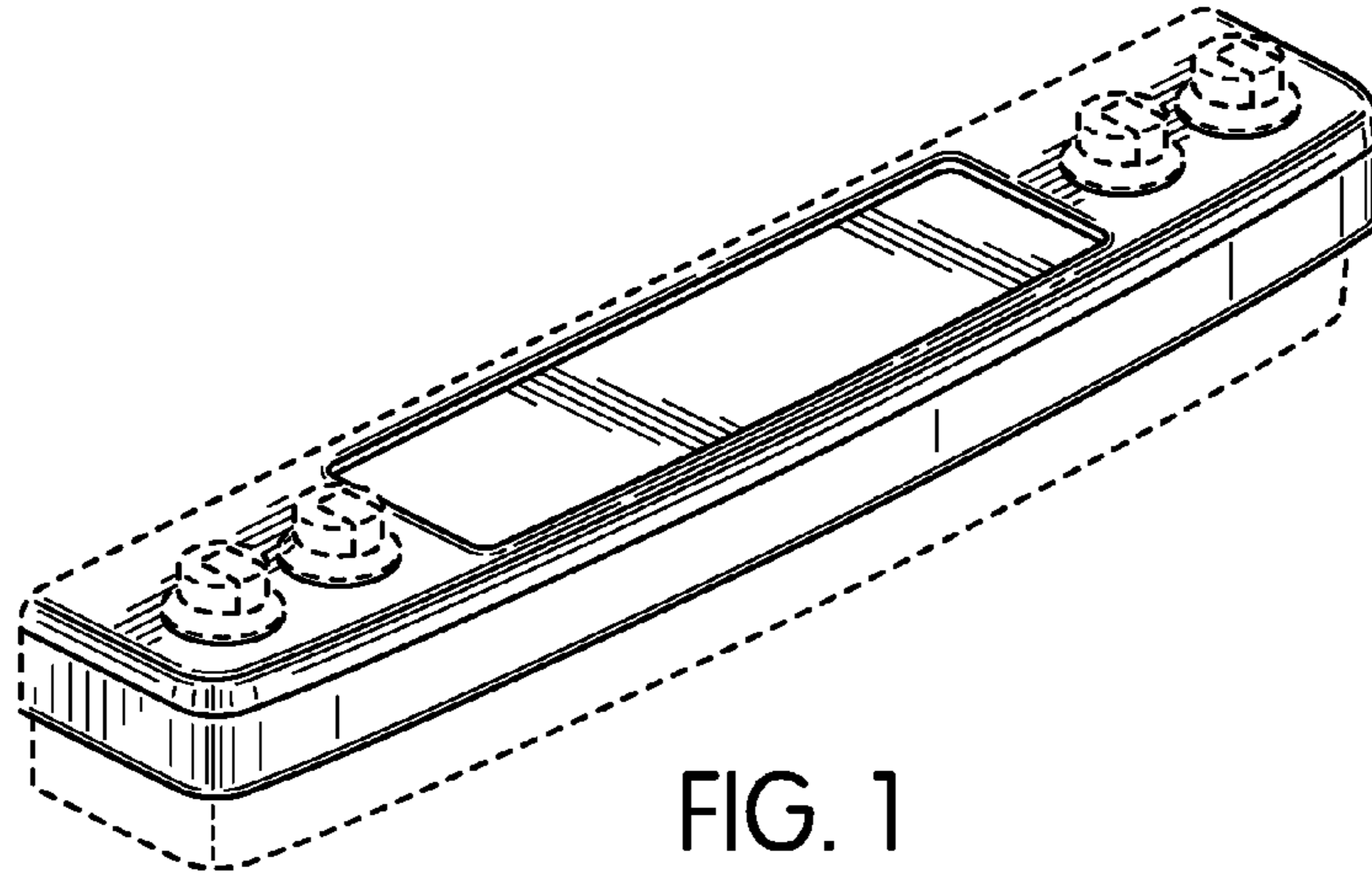


FIG. 1

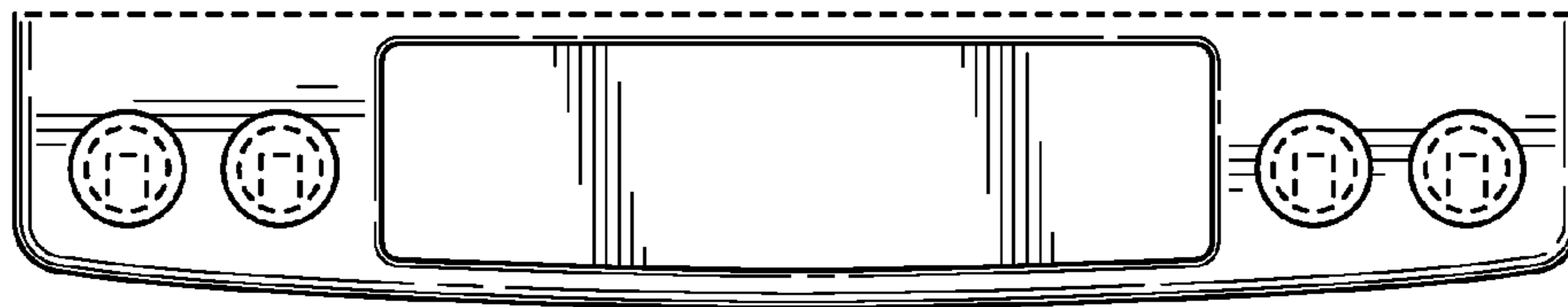


FIG. 2

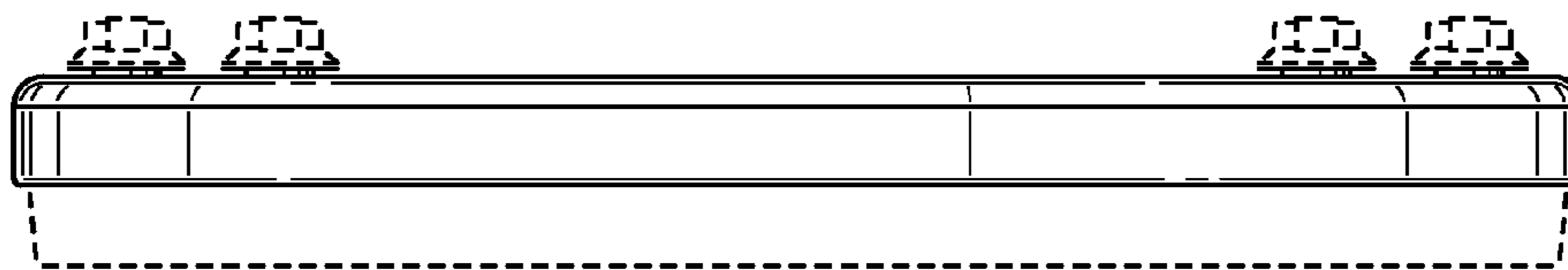


FIG. 3

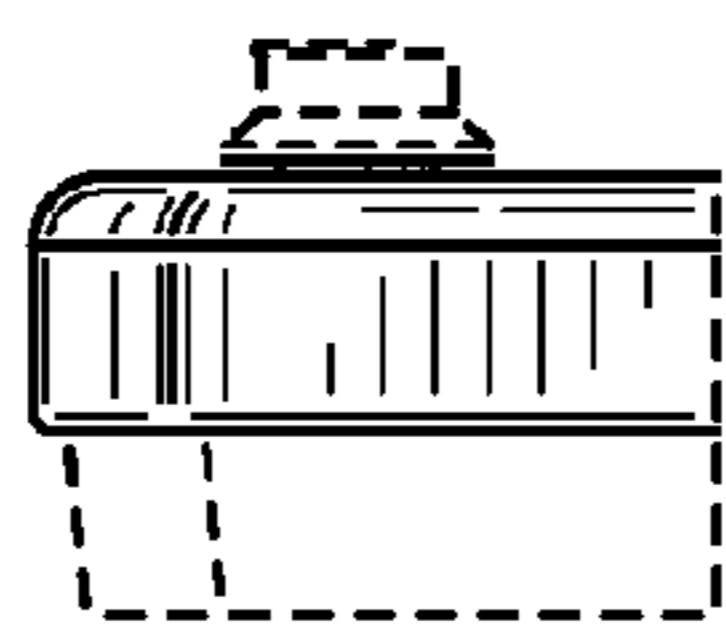


FIG. 4

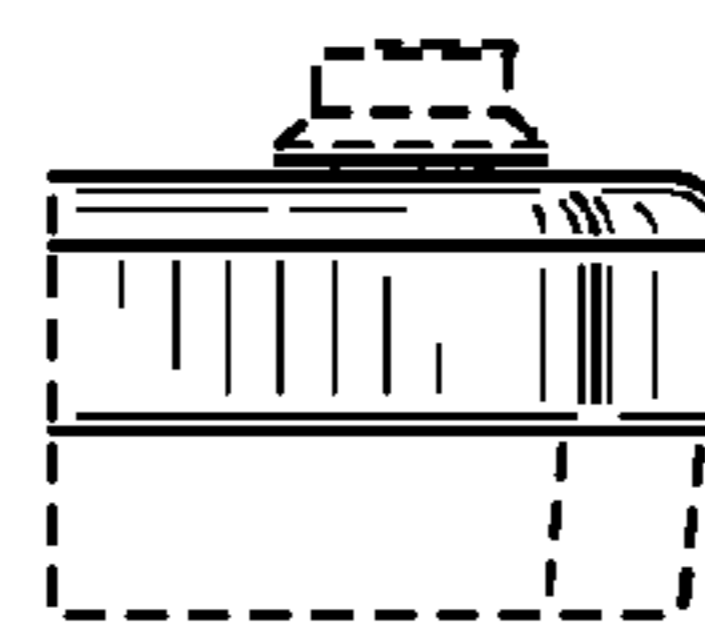


FIG. 5