

US00D564836S

(12) **United States Design Patent**  
**Crookshanks et al.**

(10) **Patent No.: US D564,836 S**  
(45) **Date of Patent: \*\* Mar. 25, 2008**

(54) **PORTION OF AN APPLIANCE**

(75) Inventors: **Kent Allen Stephen Crookshanks**,  
Anderson, SC (US); **Daniel Hartley**  
**Green**, Nashville, TN (US)

(73) Assignee: **Electrolux Home Products, Inc.**,  
Cleveland, OH (US)

(\*\*) Term: **14 Years**

(21) Appl. No.: **29/297,573**

(22) Filed: **Nov. 14, 2007**

(51) **LOC (8) Cl.** ..... **07-02**

(52) **U.S. Cl.** ..... **D7/405**

(58) **Field of Classification Search** ..... D7/339-341,  
D7/346-349, 402, 405, 406; 126/21 A, 39 B,  
126/21 R, 273 A; 219/391-394  
See application file for complete search history.

(56) **References Cited**

**U.S. PATENT DOCUMENTS**

- D464,229 S \* 10/2002 Baldwin et al. .... D7/340
- D470,720 S \* 2/2003 Jones et al. .... D7/405
- D477,177 S \* 7/2003 Jeong ..... D7/340
- D477,496 S \* 7/2003 Monguilod et al. .... D7/340
- D491,411 S \* 6/2004 De Mello ..... D7/340
- D495,918 S \* 9/2004 De Mello ..... D7/340
- D510,227 S \* 10/2005 Baldwin ..... D7/340
- D511,925 S \* 11/2005 Baldwin ..... D7/340

- D521,317 S \* 5/2006 Hessen et al. .... D7/405
- D530,152 S \* 10/2006 Pryor ..... D7/405
- D536,208 S \* 2/2007 Ostlund et al. .... D7/340
- D536,568 S \* 2/2007 Ostlund et al. .... D7/340
- D555,976 S \* 11/2007 Baldwin ..... D7/405

\* cited by examiner

*Primary Examiner*—Robert A. Delehanty

*Assistant Examiner*—Mark Cavanna

(74) *Attorney, Agent, or Firm*—Banner & Witcoff, Ltd.

(57) **CLAIM**

The ornamental design for a portion of an appliance, as shown and described.

**DESCRIPTION**

FIG. 1 is a front perspective view of a portion of an appliance showing our new design;

FIG. 2 is a front view thereof;

FIG. 3 is a right side view thereof;

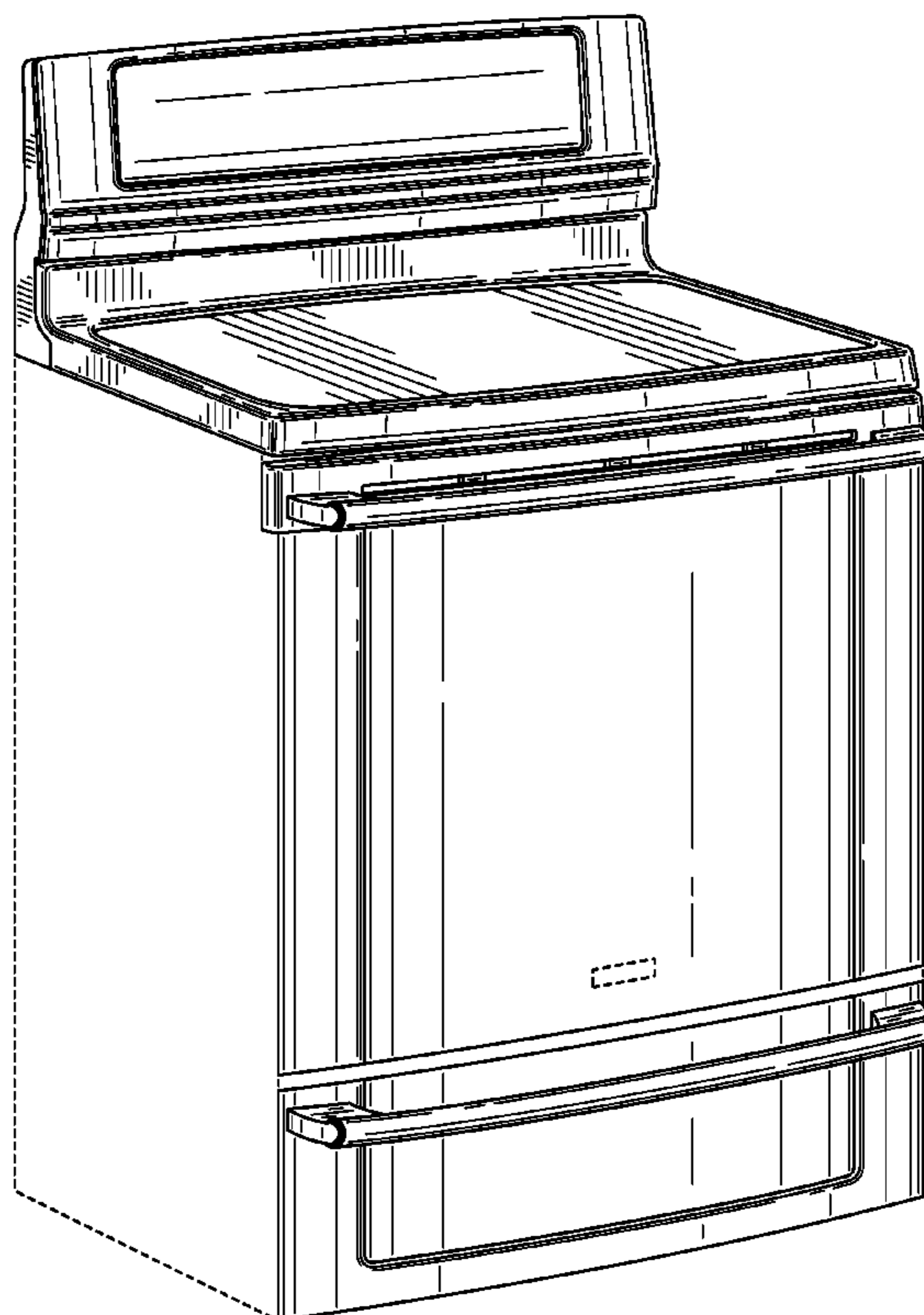
FIG. 4 is a left side view thereof;

FIG. 5 is a top view thereof; and,

FIG. 6 is a bottom view thereof.

The broken line showing of various regions, including the unshaded areas therein, is for illustrative purposes and forms no part of the claimed design.

**1 Claim, 5 Drawing Sheets**



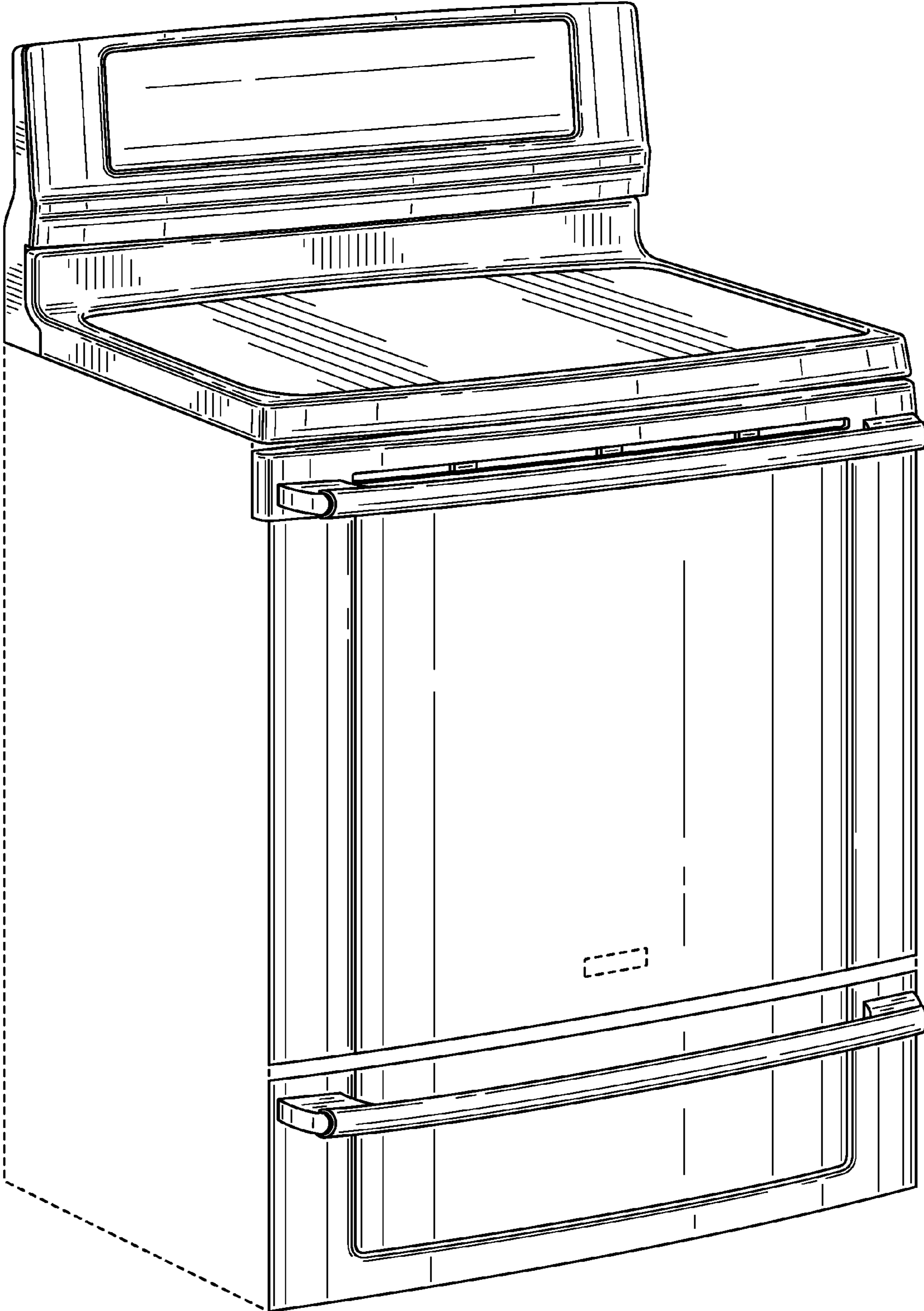


FIG. 1

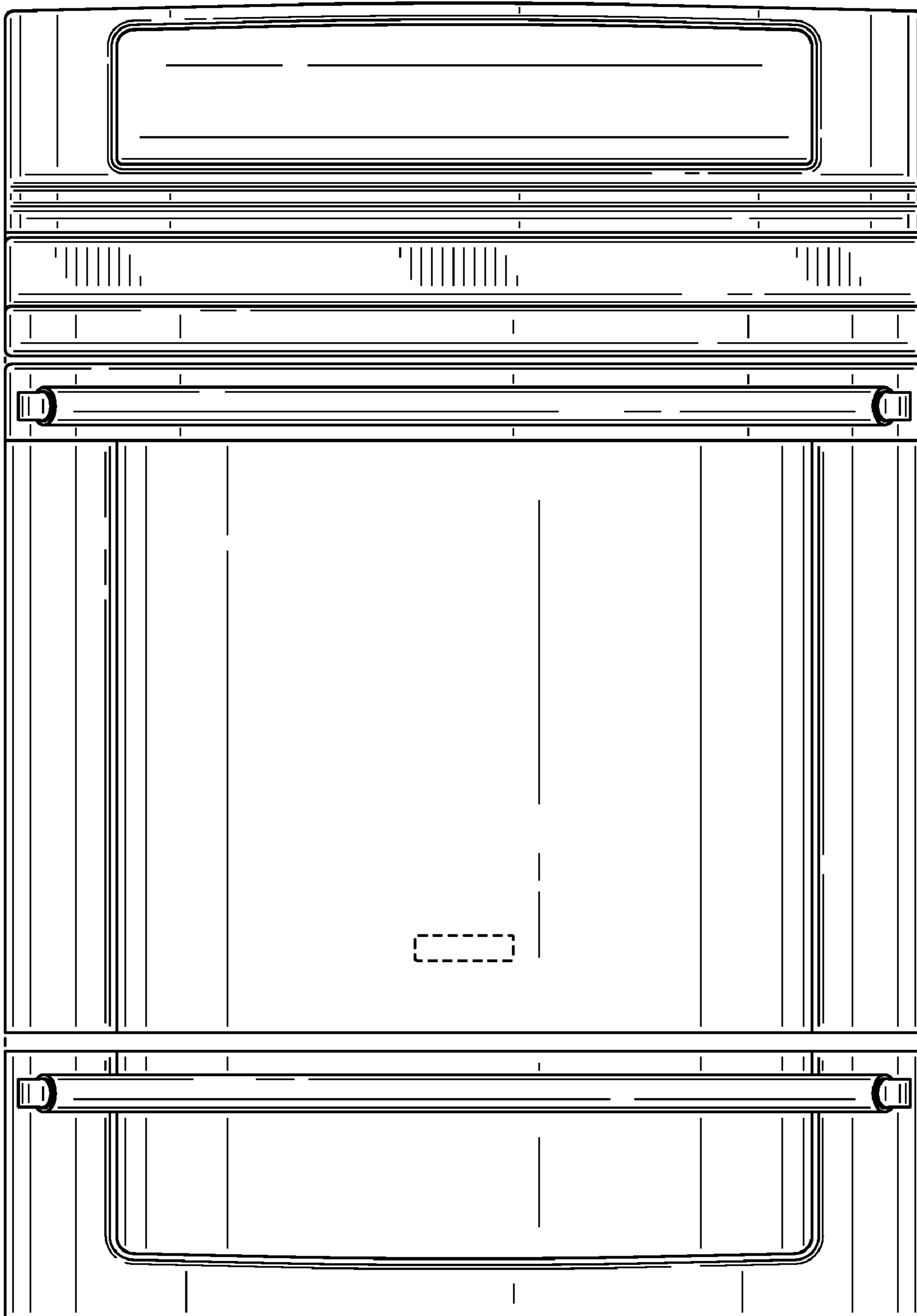


FIG. 2

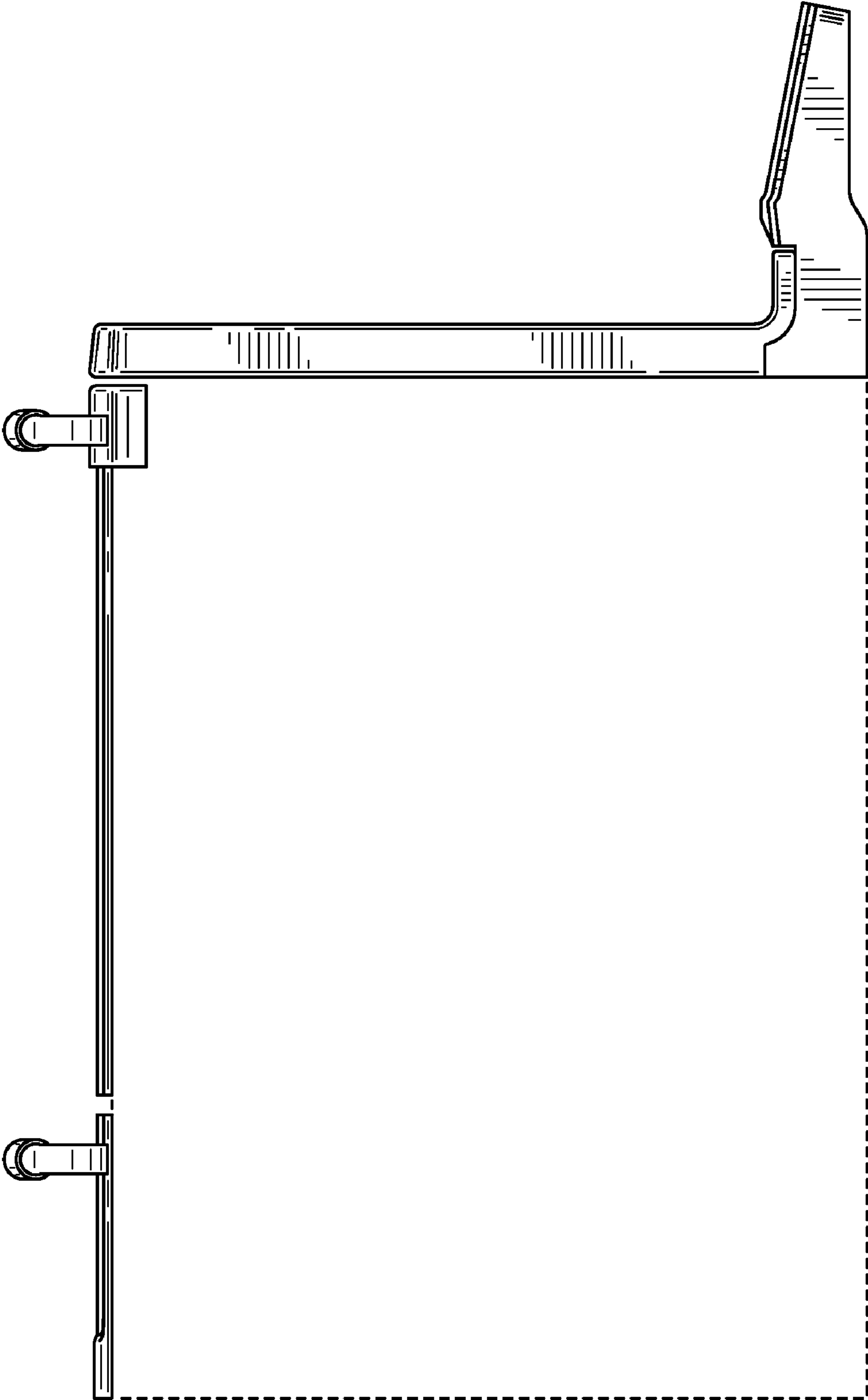


FIG. 3

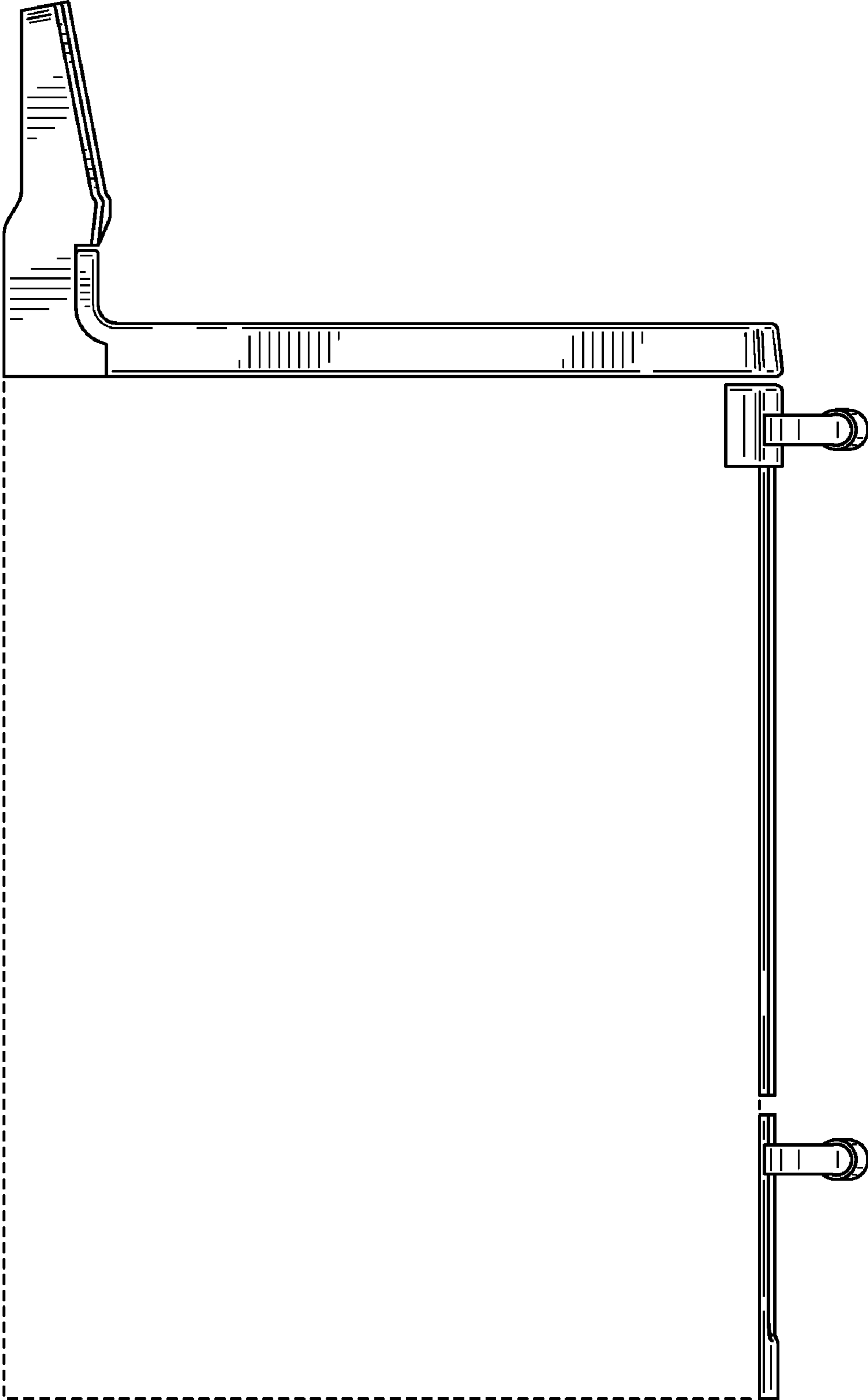


FIG. 4

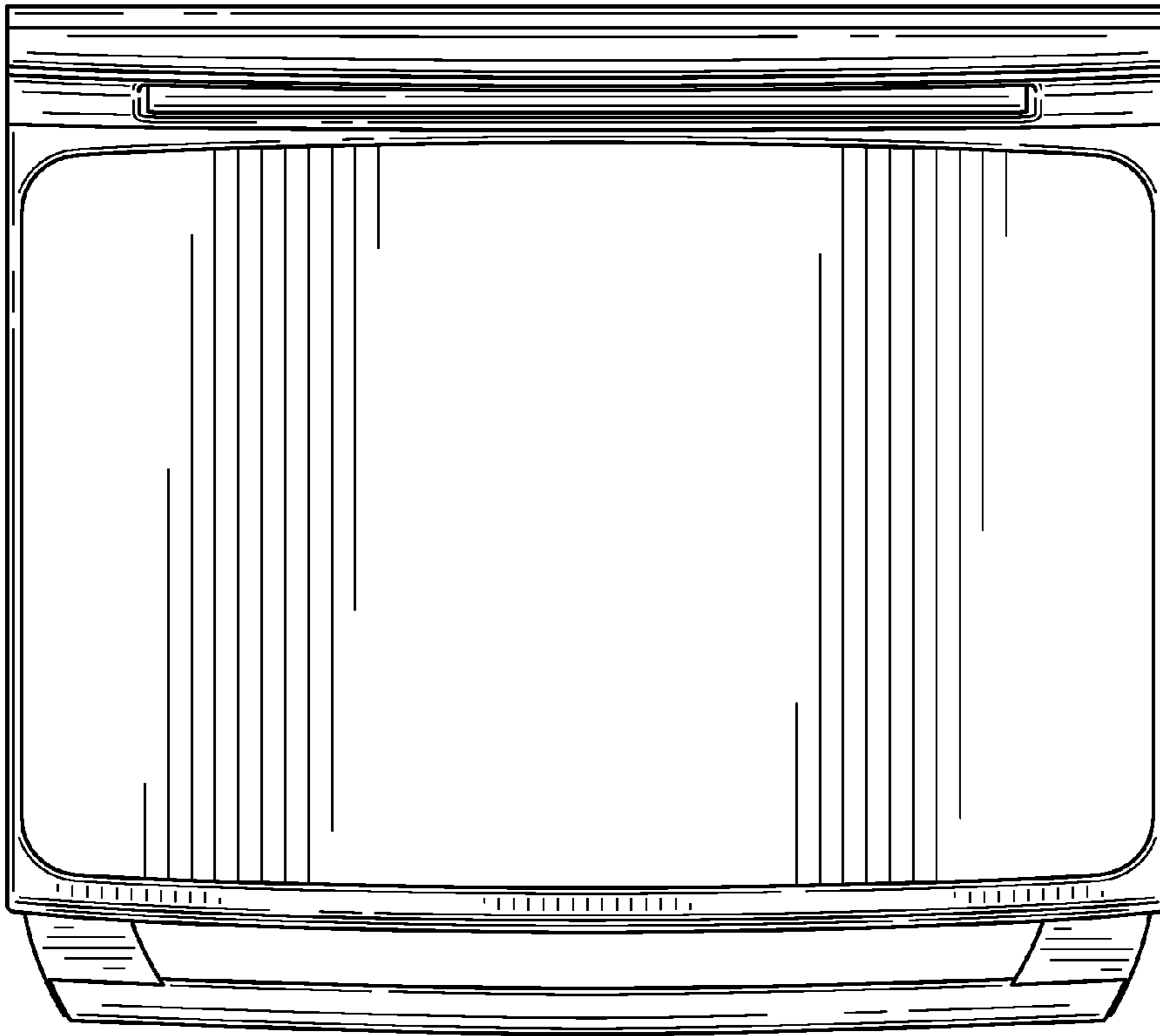


FIG. 5

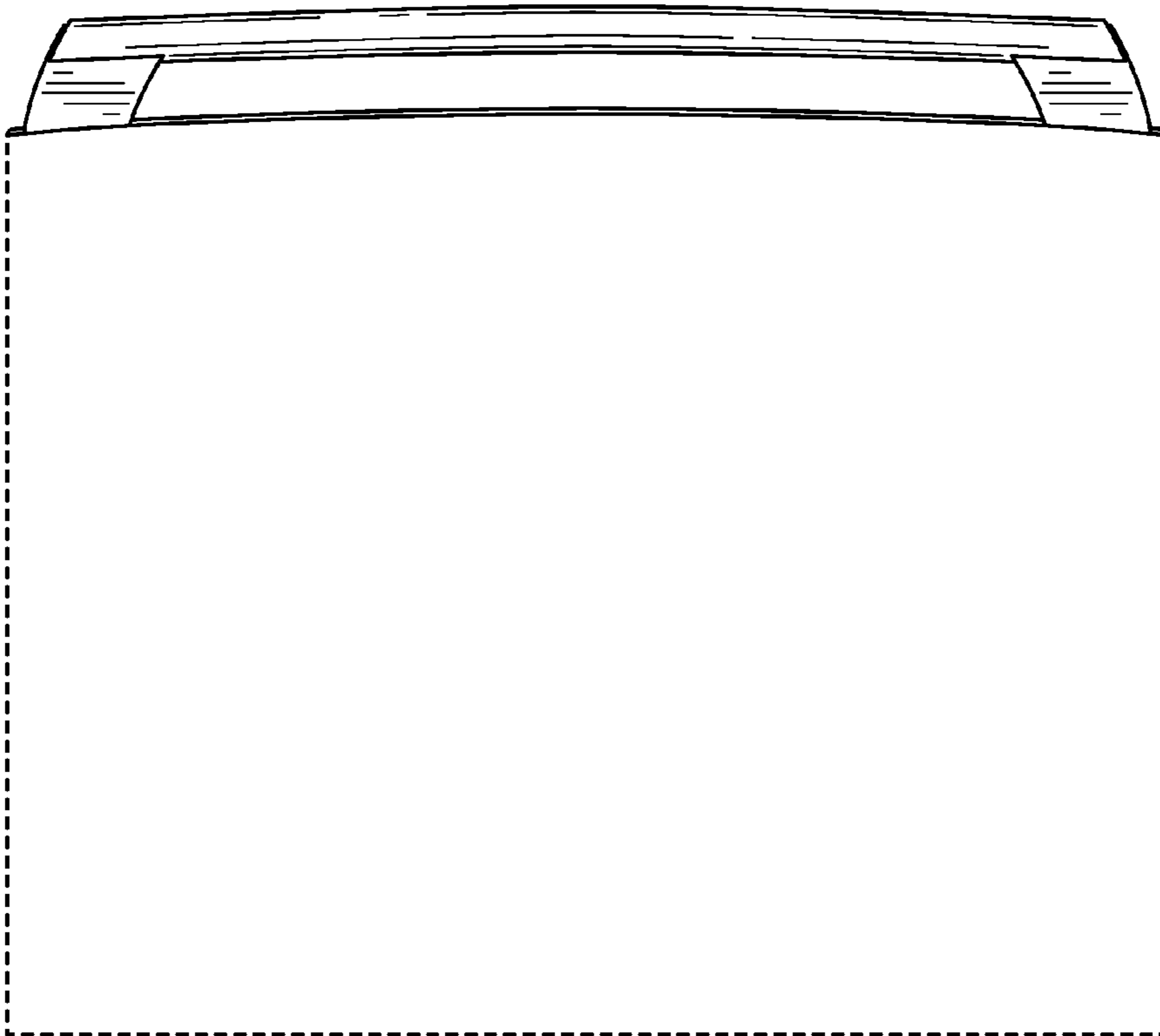


FIG. 6