

US00D564835S

(12) **United States Design Patent**
Crookshanks et al.

(10) **Patent No.: US D564,835 S**
(45) **Date of Patent: ** Mar. 25, 2008**

(54) **PORTION OF AN APPLIANCE**
(75) Inventors: **Kent Allen Stephen Crookshanks**,
Anderson, SC (US); **Daniel Hartley**
Green, Nashville, TN (US)

D521,317 S * 5/2006 Hessen et al. D7/405
D530,152 S * 10/2006 Pryor D7/405
D536,208 S * 2/2007 Ostlund et al. D7/340
D536,568 S * 2/2007 Ostlund et al. D7/340
D555,976 S * 11/2007 Baldwin D7/405

(73) Assignee: **Electrolux Home Products, Inc.**,
Cleveland, OH (US)

* cited by examiner

(**) Term: **14 Years**

Primary Examiner—Robert A. Delehanty
Assistant Examiner—Mark Cavanna

(21) Appl. No.: **29/297,572**

(74) *Attorney, Agent, or Firm*—Banner & Witcoff, Ltd.

(22) Filed: **Nov. 14, 2007**

(57) **CLAIM**

(51) **LOC (8) Cl.** **07-02**

The ornamental design for a portion of an appliance, as shown and described.

(52) **U.S. Cl.** **D7/405**

(58) **Field of Classification Search** D7/339–341,
D7/346–349, 402, 405, 406; 126/21 A, 39 B,
126/21 R, 273 A; 219/391–394
See application file for complete search history.

DESCRIPTION

(56) **References Cited**

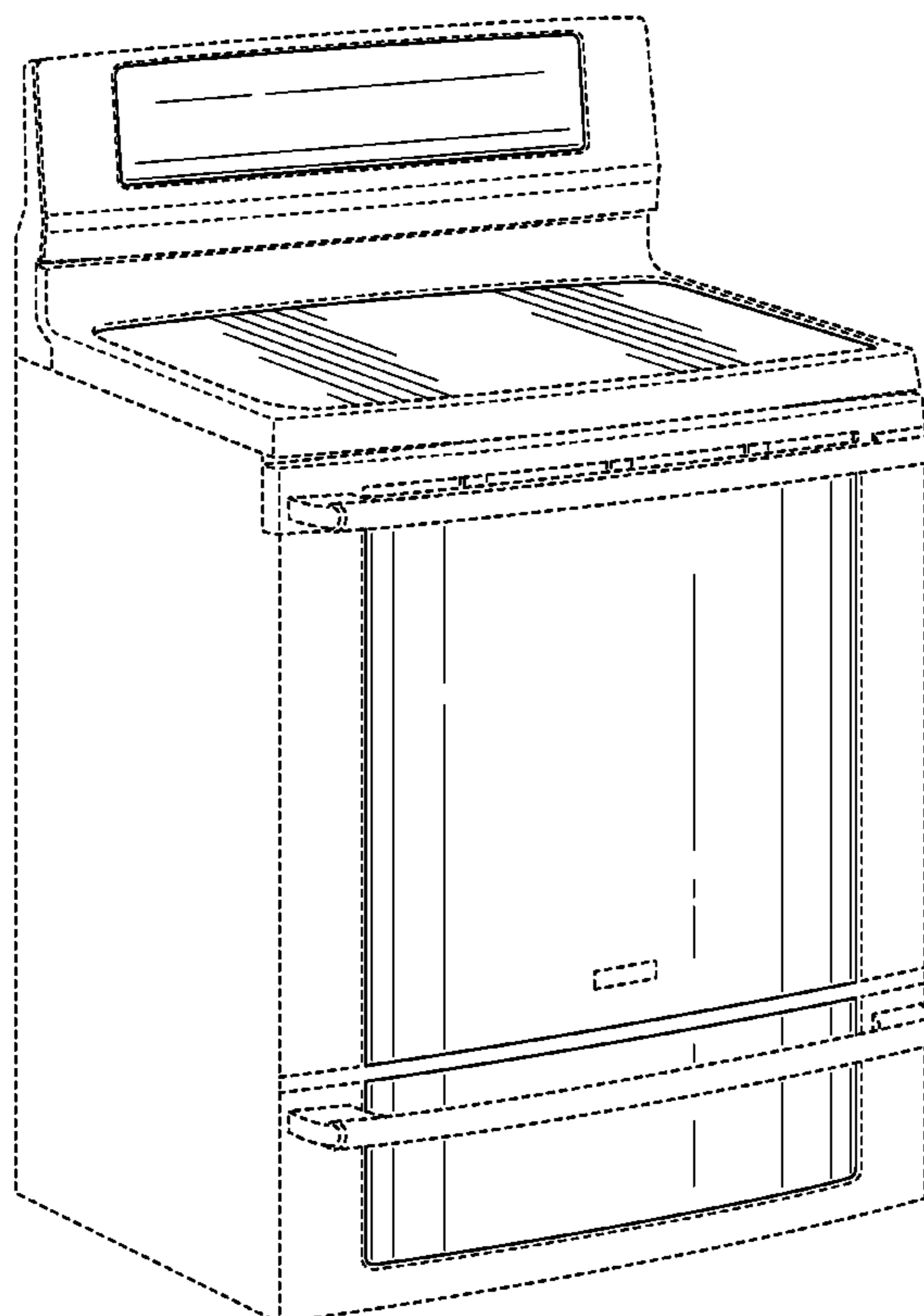
U.S. PATENT DOCUMENTS

D464,229 S * 10/2002 Baldwin et al. D7/340
D470,720 S * 2/2003 Jones et al. D7/405
D477,177 S * 7/2003 Jeong D7/340
D477,496 S * 7/2003 Monguilod et al. D7/340
D491,411 S * 6/2004 De Mello D7/340
D495,918 S * 9/2004 De Mello D7/340
D510,227 S * 10/2005 Baldwin D7/340
D511,925 S * 11/2005 Baldwin D7/340

FIG. 1 is a front perspective view of a portion of an appliance showing our new design;
FIG. 2 is a front view thereof;
FIG. 3 is a right side view thereof;
FIG. 4 is a left side view thereof;
FIG. 5 is a top view thereof; and,
FIG. 6 is a bottom view thereof.

The broken line showing of various regions, including the unshaded areas therein, is for illustrative purposes and forms no part of the claimed design.

1 Claim, 6 Drawing Sheets



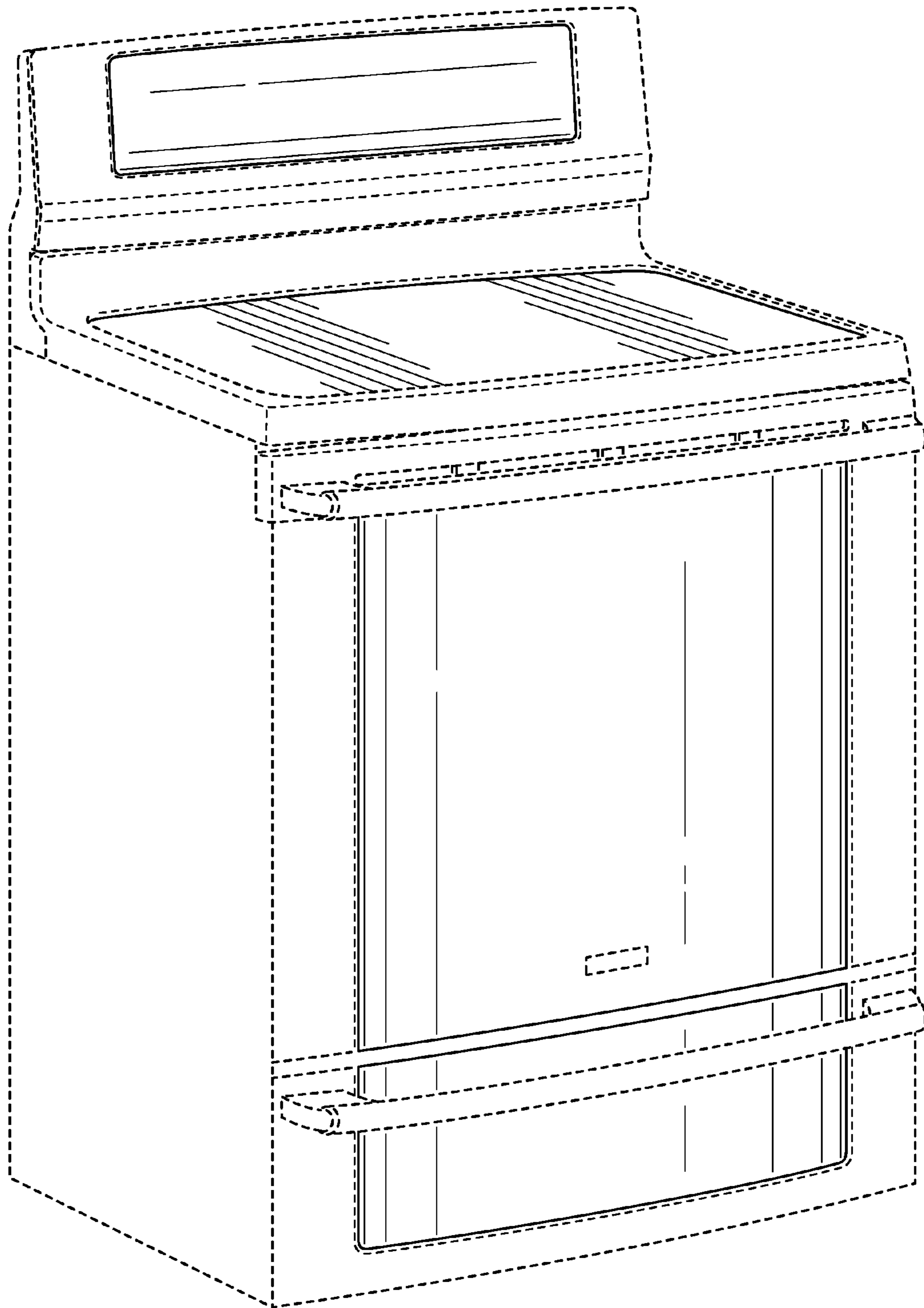


FIG. 1

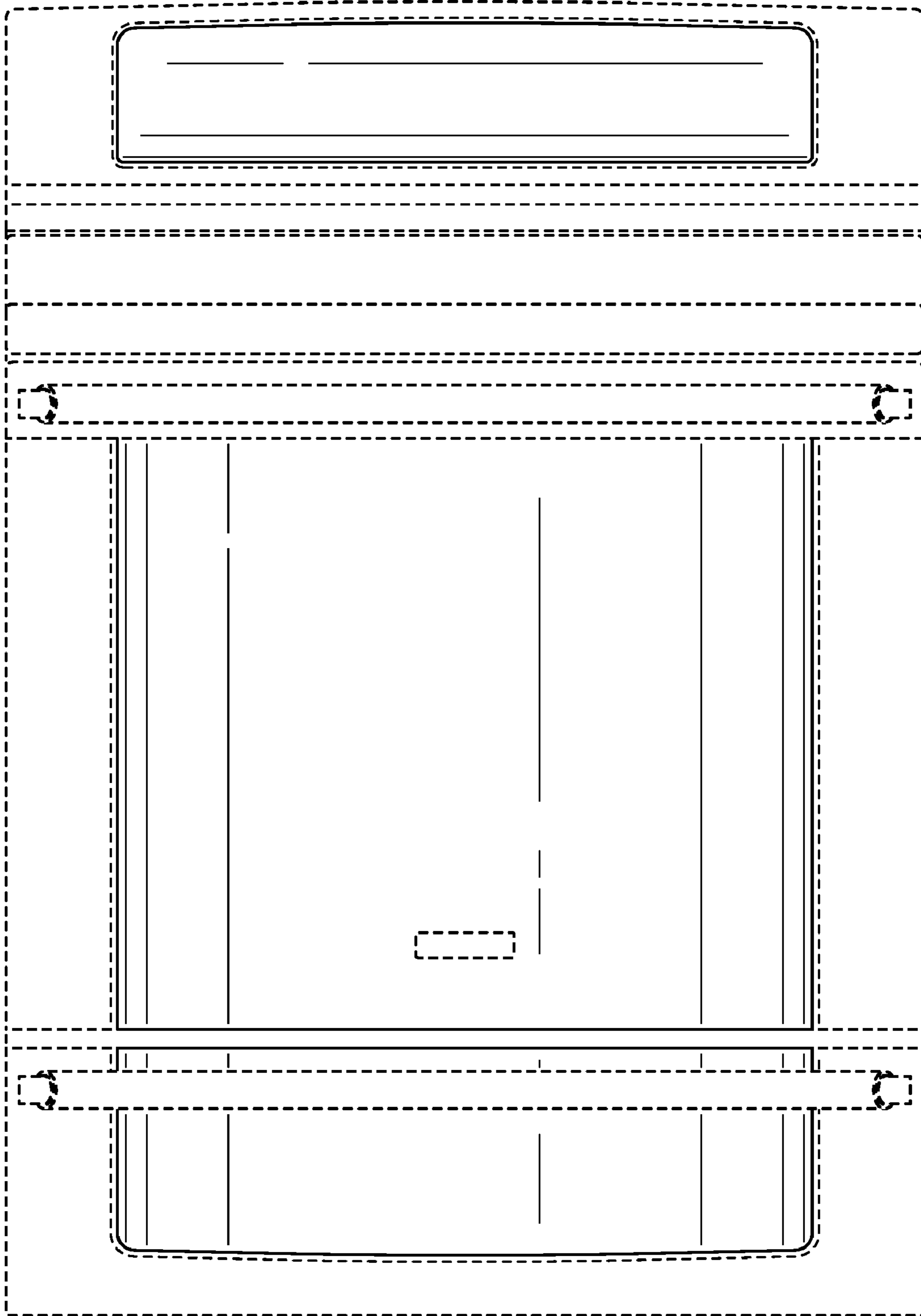


FIG. 2

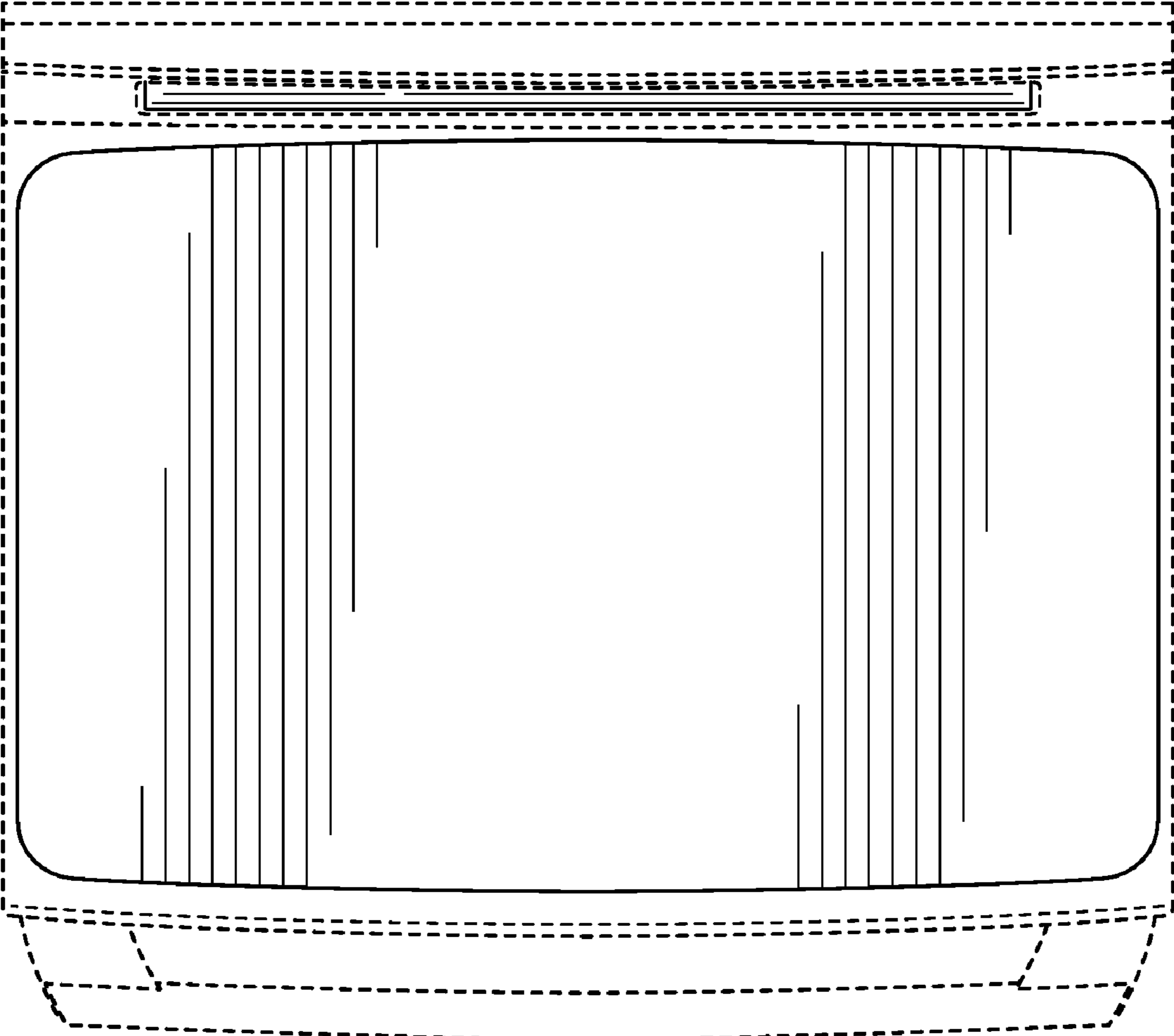


FIG. 3

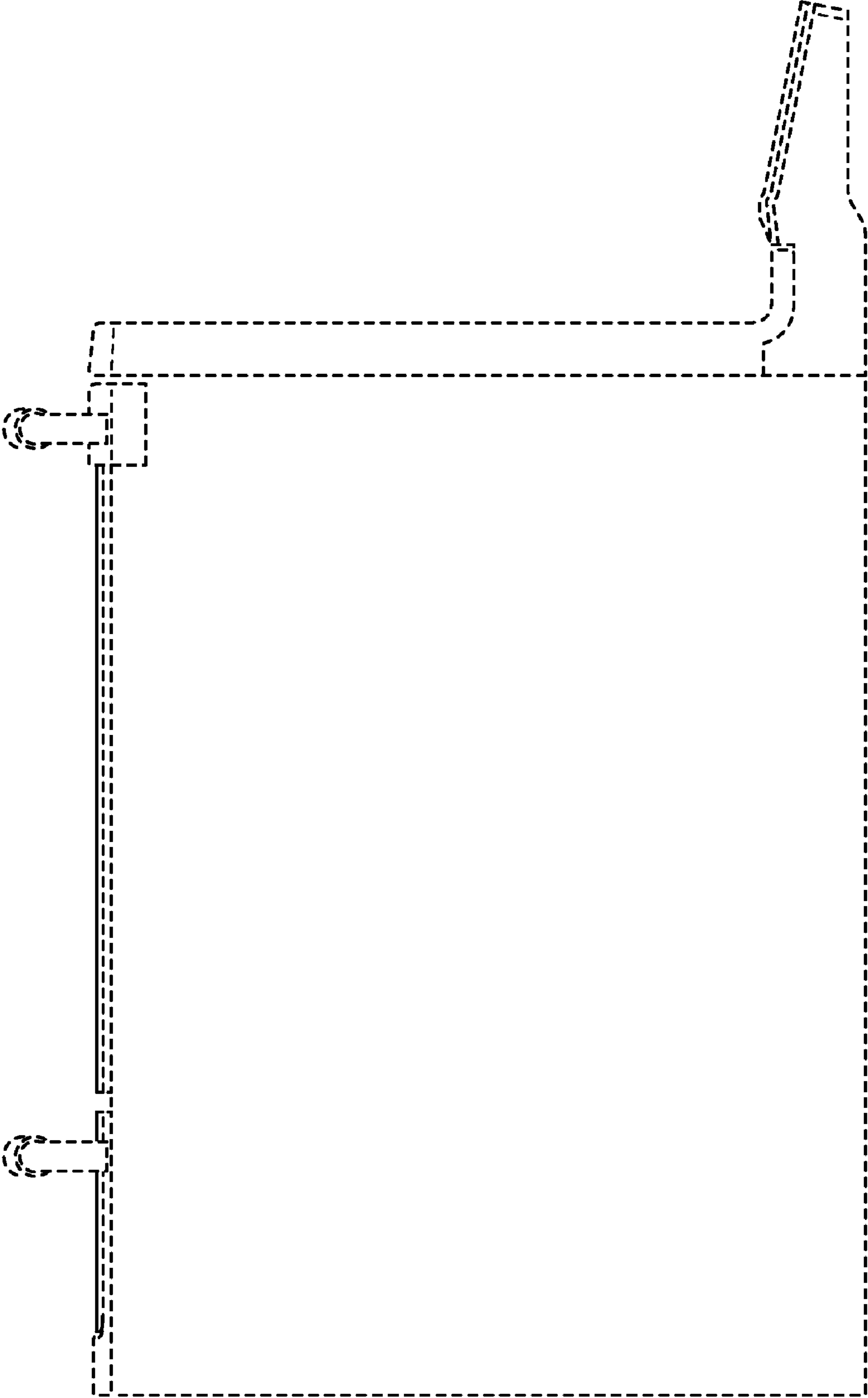


FIG. 4

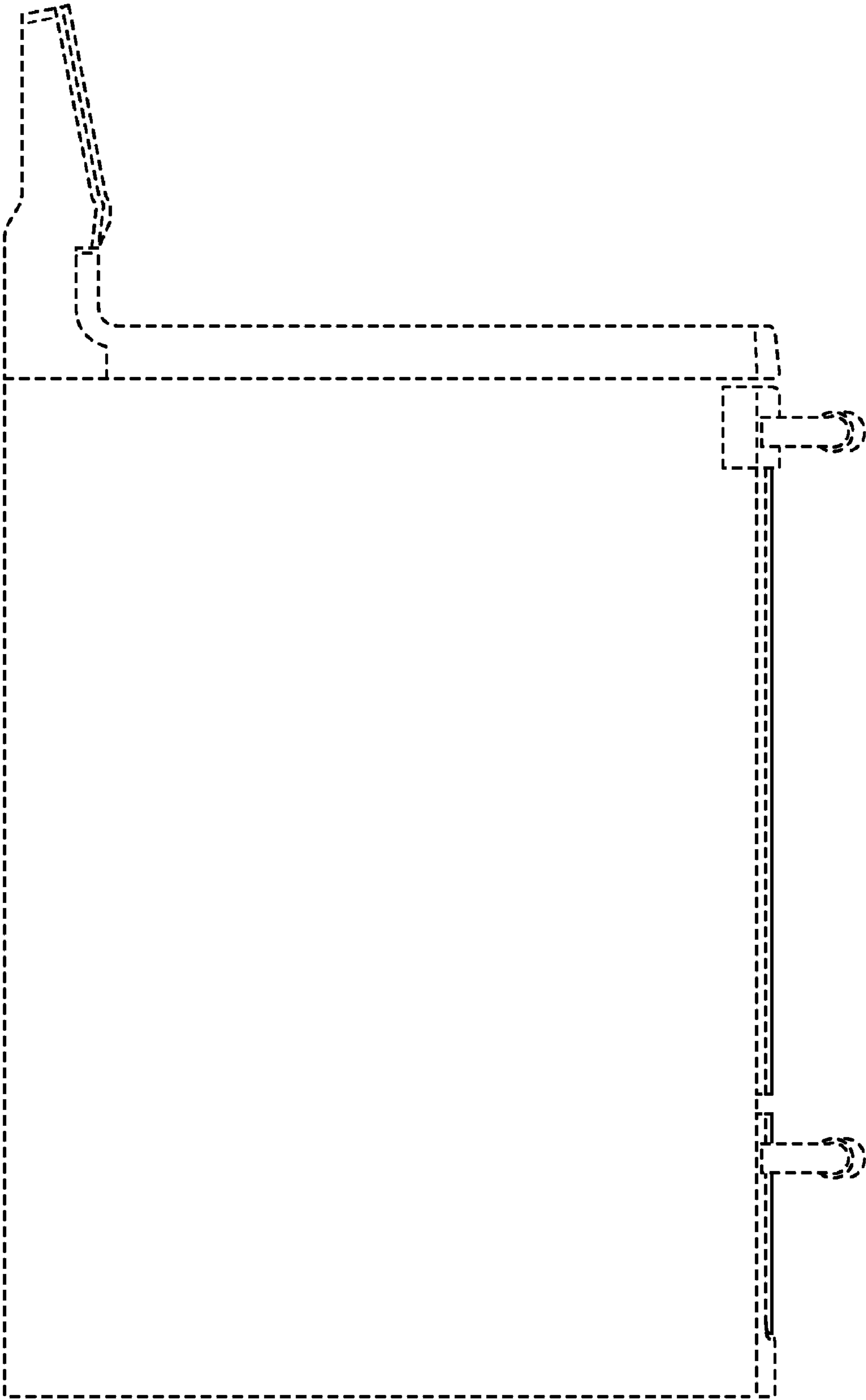


FIG. 5

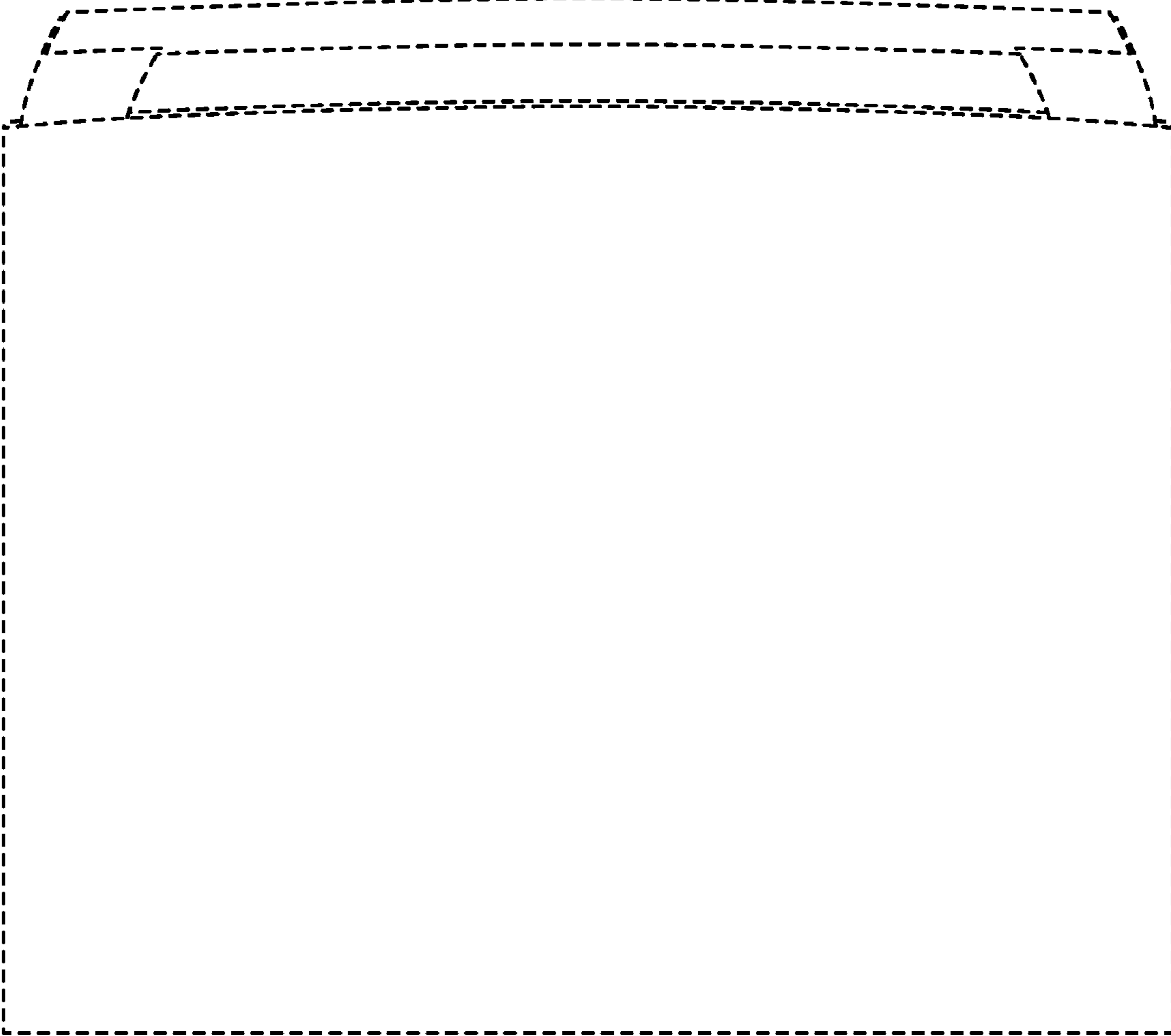


FIG. 6