



US00D564834S

(12) **United States Design Patent**
Bruno et al.

(10) **Patent No.:** **US D564,834 S**
(45) **Date of Patent:** **** Mar. 25, 2008**

- (54) **SHROUD FOR A BARBECUE GRILL**
- (75) Inventors: **Adrian A. Bruno**, Rolling Meadows, IL (US); **Charles Choi**, Chicago, IL (US); **Daniel S. Choi**, Mundelein, IL (US); **Leonard Zelek**, Chicago, IL (US)
- (73) Assignee: **Weber-Stephen Products Co.**, Palatine, IL (US)
- (**) Term: **14 Years**
- (21) Appl. No.: **29/256,977**
- (22) Filed: **Mar. 27, 2006**
- (51) **LOC (8) Cl.** **07-02**
- (52) **U.S. Cl.** **D7/402**
- (58) **Field of Classification Search** D7/332-337, D7/402-405; D23/335-336, 343; 126/500, 126/506, 519, 40, 50, 9 R, 9 B, 25 R, 25 A, 126/304 R, 305, 268, 276, 41 R, 37 R; 99/445, 99/448, 481-482; 248/128-129; 312/249.8, 312/249.13, 351.2; D6/511, 574
See application file for complete search history.

(56) **References Cited**
U.S. PATENT DOCUMENTS

3,542,009 A	11/1970	Warner
D219,629 S	12/1970	Koziol
4,163,503 A	8/1979	McKinnon
D293,067 S	12/1987	Stephen et al.
D323,952 S	2/1992	Wagner et al.
D339,714 S	9/1993	Leblanc et al.
D380,933 S	7/1997	Schlosser et al.
D406,009 S	2/1999	Wagner et al.
D412,425 S	8/1999	Pai
D417,587 S	12/1999	Wagner et al.
D423,876 S	5/2000	Wagner et al.
D425,366 S	5/2000	Pai
D433,279 S	11/2000	Schlosser et al.
D438,059 S	2/2001	Wagner et al.
D438,060 S	2/2001	Campbell et al.
D438,427 S	3/2001	Campbell et al.
D449,492 S	10/2001	Wagner et al.

D451,751 S	12/2001	Stewart et al.	
6,328,083 B1	12/2001	Esterson et al.	
D456,501 S	4/2002	Chen	
D470,719 S *	2/2003	Pai	D7/402
D471,057 S *	3/2003	Chung	D7/334
D471,761 S *	3/2003	Choi et al.	D7/402
D747,070	5/2003	McKenzie	
D503,065 S *	3/2005	Pai	D7/334
D504,048 S *	4/2005	Joss et al.	D7/402
D514,381 S	2/2006	Chung	
D521,308 S *	5/2006	Tseng	D7/334
D528,349 S *	9/2006	Chung	D7/334
D529,330 S *	10/2006	Chung	D7/334
D533,011 S *	12/2006	Pai	D7/334
D535,139 S *	1/2007	Lutz	D7/334
D535,846 S *	1/2007	Debord et al.	D7/334
D536,918 S *	2/2007	Wood	D7/334
2006/0081236 A1 *	4/2006	Johnston et al.	126/25 R

* cited by examiner

Primary Examiner—Ruth McInroy
(74) *Attorney, Agent, or Firm*—David I. Roche; Daniel A. Tallitsch; Baker & McKenzie LLP

(57) **CLAIM**

The ornamental design for a shroud for a barbecue grill, as shown and described.

DESCRIPTION

FIG. 1 is a perspective view of a shroud for a barbecue grill showing our new design;
 FIG. 2 is a right side view thereof;
 FIG. 3 is a front view thereof;
 FIG. 4 is a left side view thereof;
 FIG. 5 is a bottom view thereof;
 FIG. 6 is a rear view thereof; and,
 FIG. 7 is a top view thereof.

The details shown in broken lines form no part of the claimed design.

1 Claim, 3 Drawing Sheets

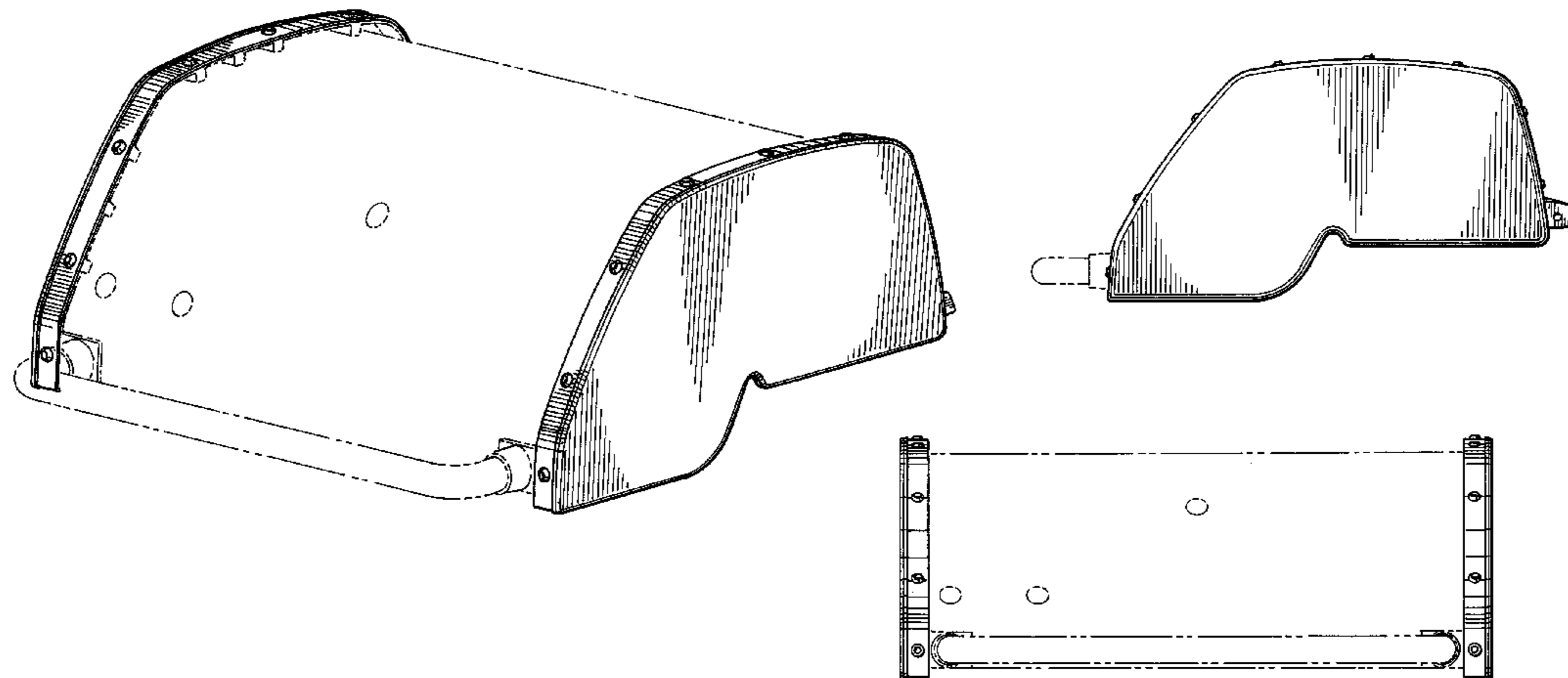
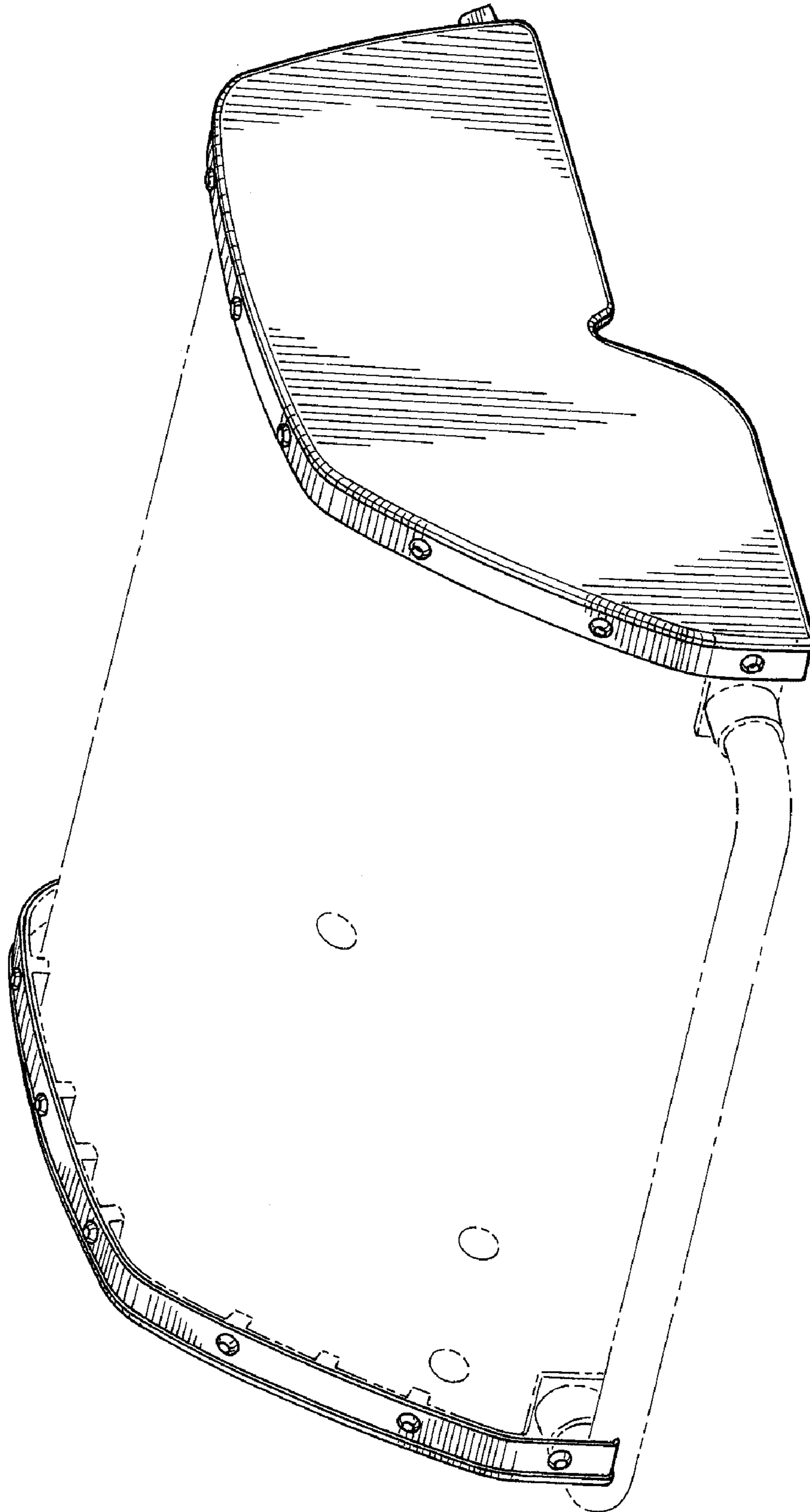
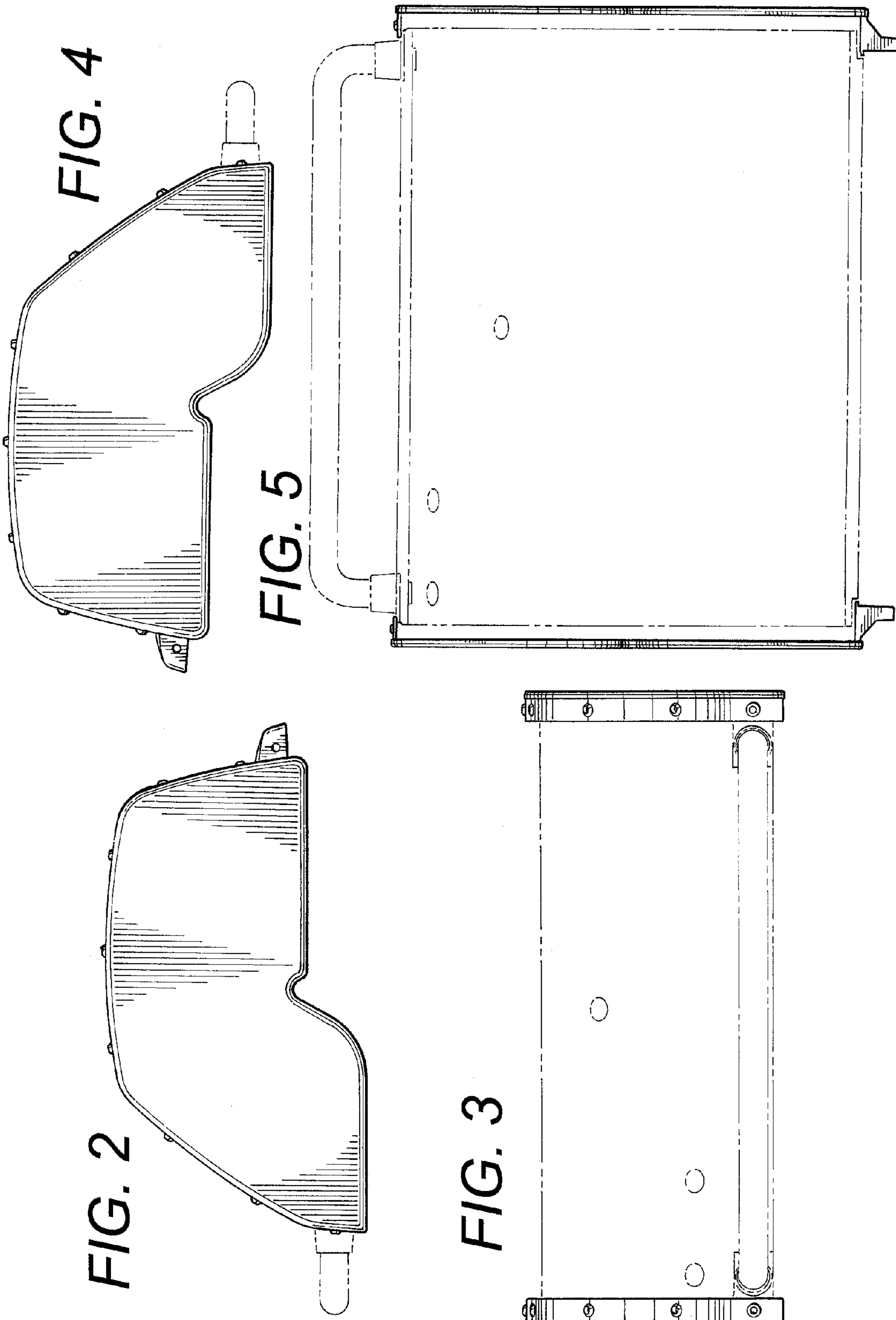


FIG. 1





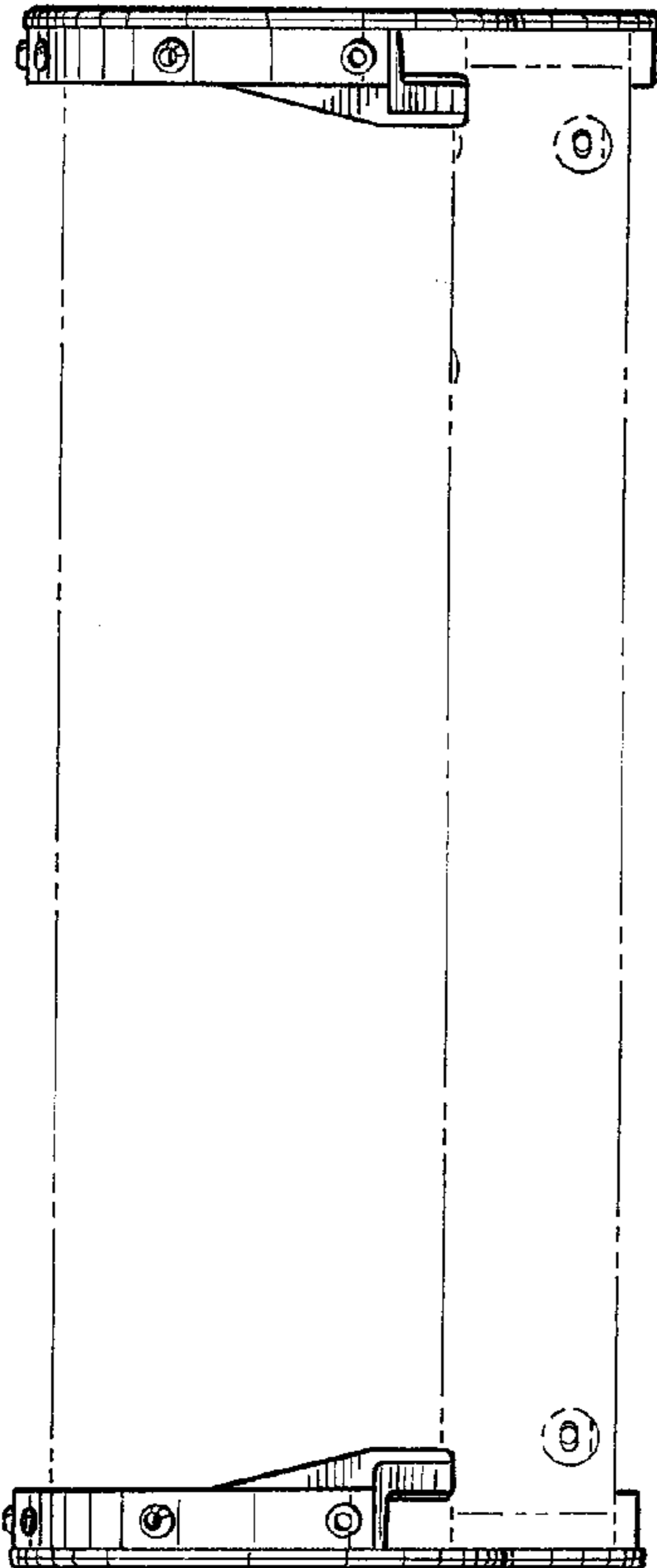


FIG. 6

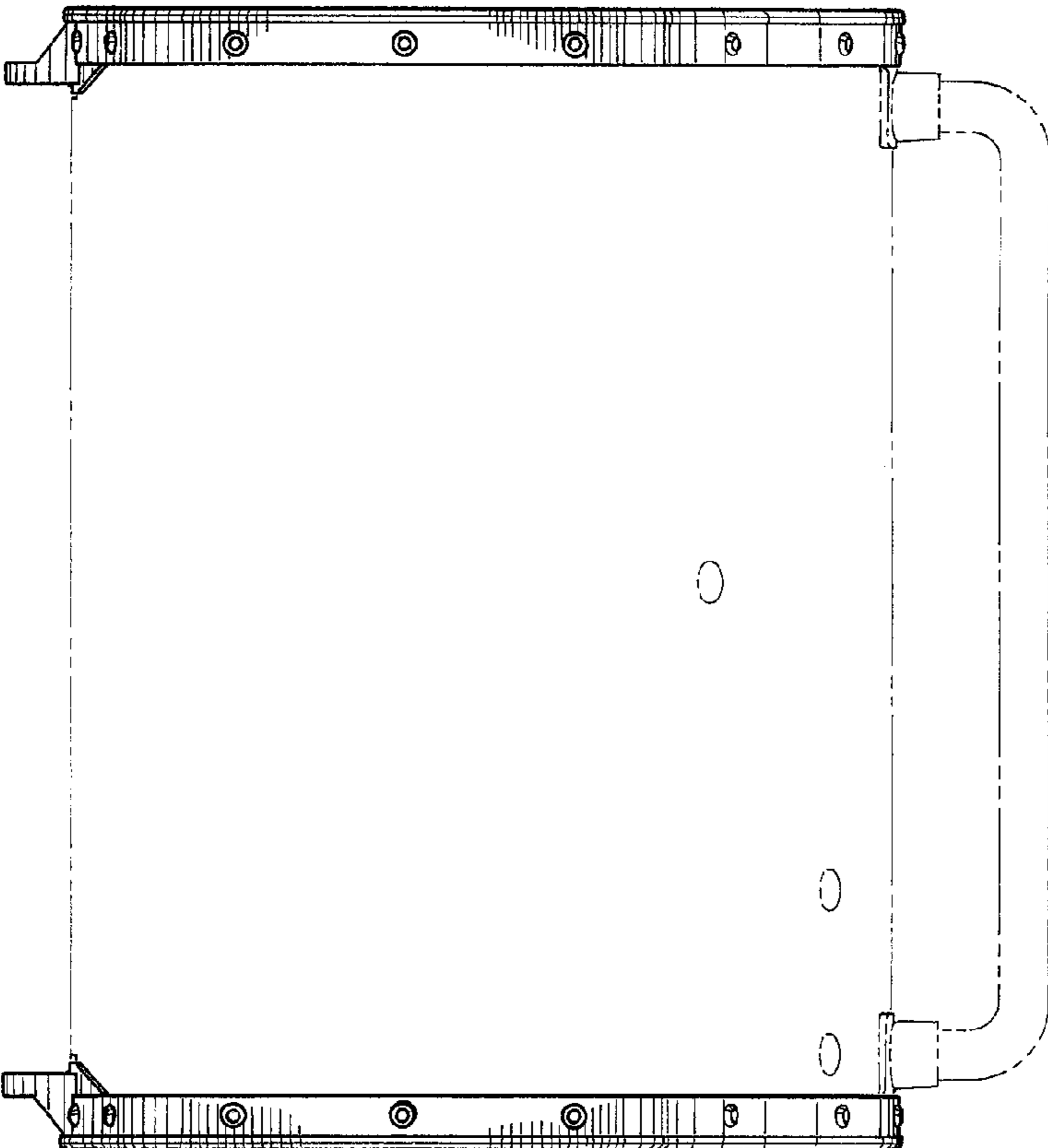


FIG. 7