

US00D564832S

(12) **United States Design Patent**
Bodum

(10) **Patent No.:** **US D564,832 S**
(45) **Date of Patent:** **** Mar. 25, 2008**

(54) **FILTER, INCLUDING COFFEE FILTER**

(75) Inventor: **Jørgen Bodum**, St. Niklausen (CH)

(73) Assignee: **Pi-Design AG**, Triengen (CH)

(**) Term: **14 Years**

(21) Appl. No.: **29/250,290**

(22) Filed: **Nov. 9, 2006**

(30) **Foreign Application Priority Data**

May 9, 2006 (DK) DA 2006 00134

(51) **LOC (8) Cl.** **07-01**

(52) **U.S. Cl.** **D7/400; D7/399; D7/700**

(58) **Field of Classification Search** D7/317,
D7/387, 397, 399-401, 500, 318, 523, 538,
D7/543, 600-602, 630, 647, 667, 700; D9/428,
D9/429, 522; D23/209, 200, 207; 220/676,
220/913; 141/84, 331; 137/142, 269, 544;
99/275, 279, 318, 433, 321-323, 283, 495,
99/499; 4/289; 7/110; 210/472, 473, 348,
210/419, 300, 311, 238, 477, 266, 282, 289,
210/295; 426/79, 82, 112, 433, 432
See application file for complete search history.

(56) **References Cited**

U.S. PATENT DOCUMENTS

956,332 A * 4/1910 Fuller 210/474
2,234,397 A * 3/1941 Bentz 210/477
2,811,181 A * 10/1957 Correll 141/340

3,215,060 A * 11/1965 Perlov 99/306
3,334,574 A * 8/1967 Douglas 99/304
D226,531 S * 3/1973 Beckman D7/400
5,424,083 A * 6/1995 Lozito 426/82
D521,329 S * 5/2006 Bodum D7/700
D524,599 S * 7/2006 Bodum D7/400

* cited by examiner

Primary Examiner—Philip S. Hyder

Assistant Examiner—Cynthia Underwood

(74) *Attorney, Agent, or Firm*—Cowan, Liebowitz & Latman, PC

(57) **CLAIM**

The ornamental design for a filter, including coffee filter, as shown and described.

DESCRIPTION

FIG. 1 is a perspective view of the filter, including coffee filter, showing my design thereof;

FIG. 2 is a front view thereof;

FIG. 3 is a back view thereof;

FIG. 4 is a right side view thereof;

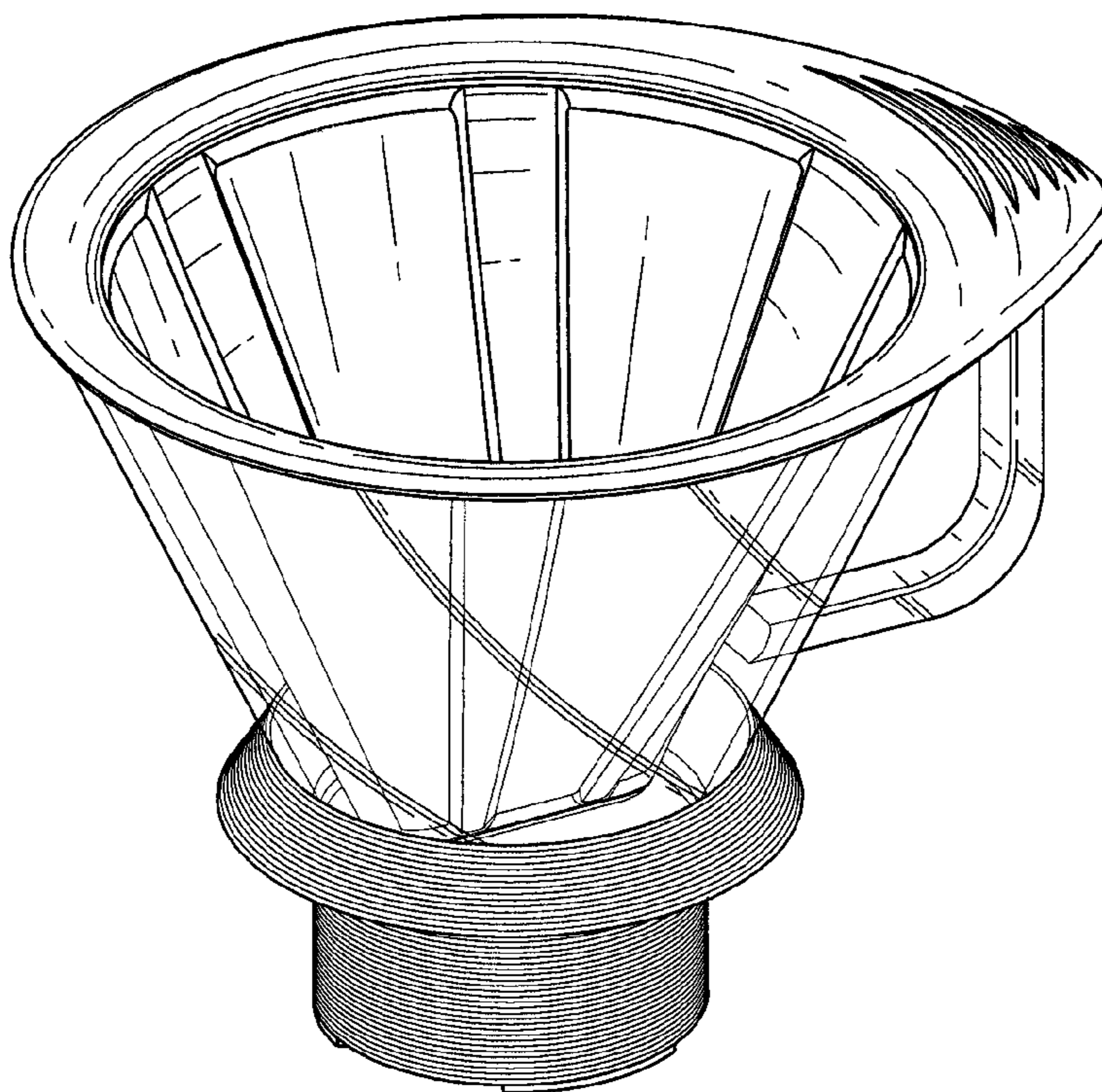
FIG. 5 is a left side view thereof;

FIG. 6 is a top view thereof;

FIG. 7 is a bottom view thereof; and,

FIG. 8 is a cross-sectional view thereof taken along line 8—8 of FIG. 6.

1 Claim, 8 Drawing Sheets



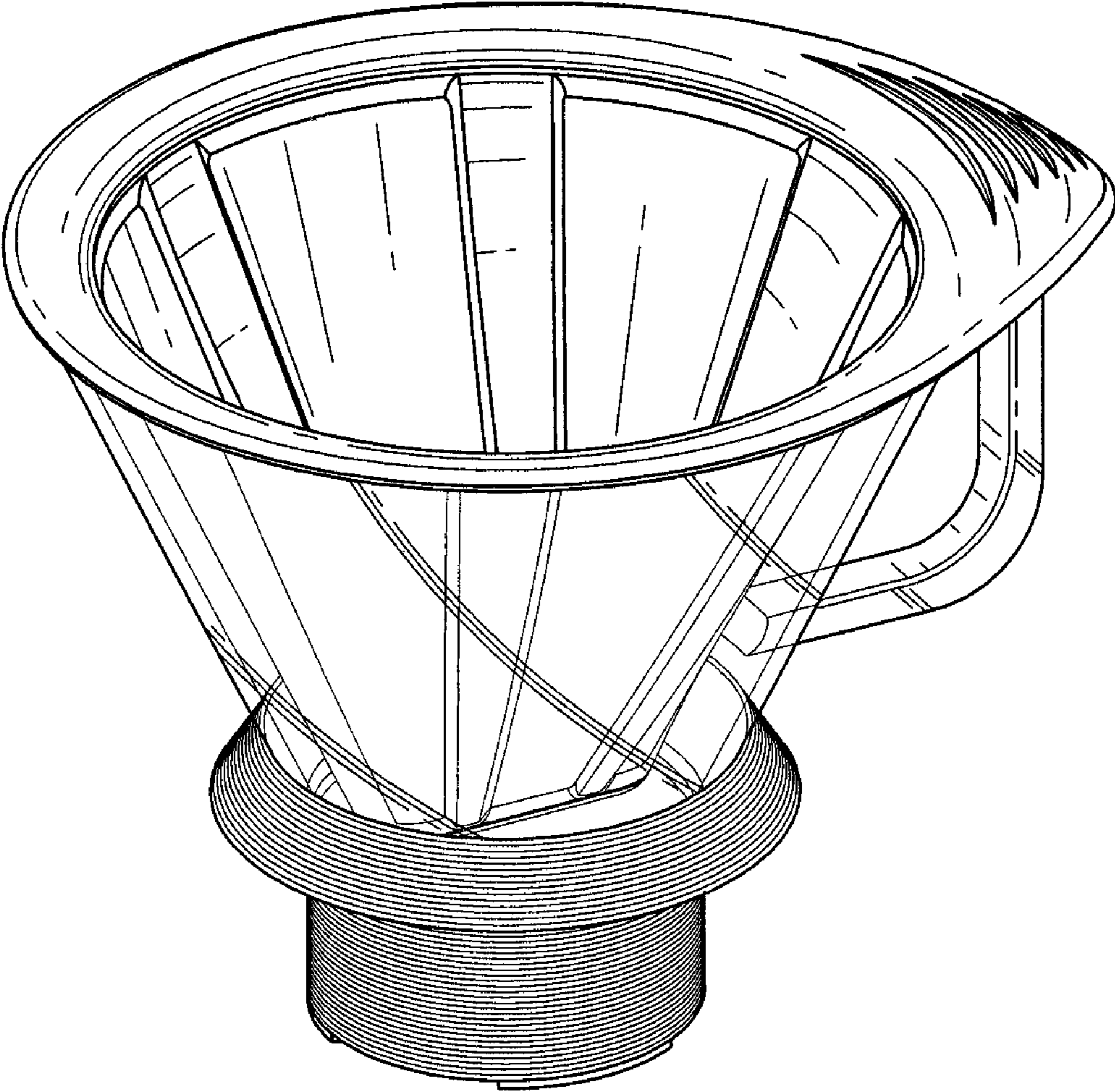


FIG. 1

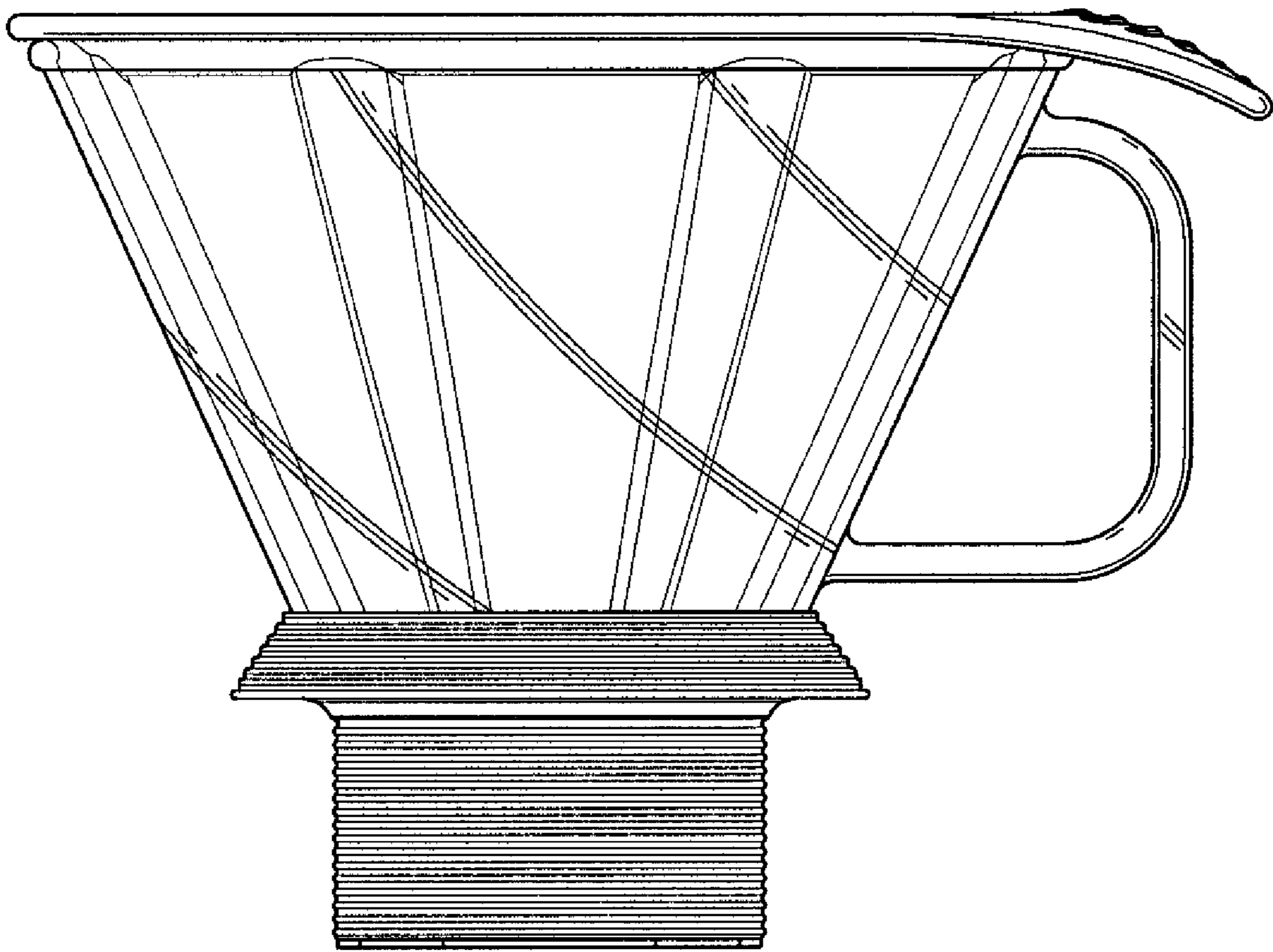


FIG. 2

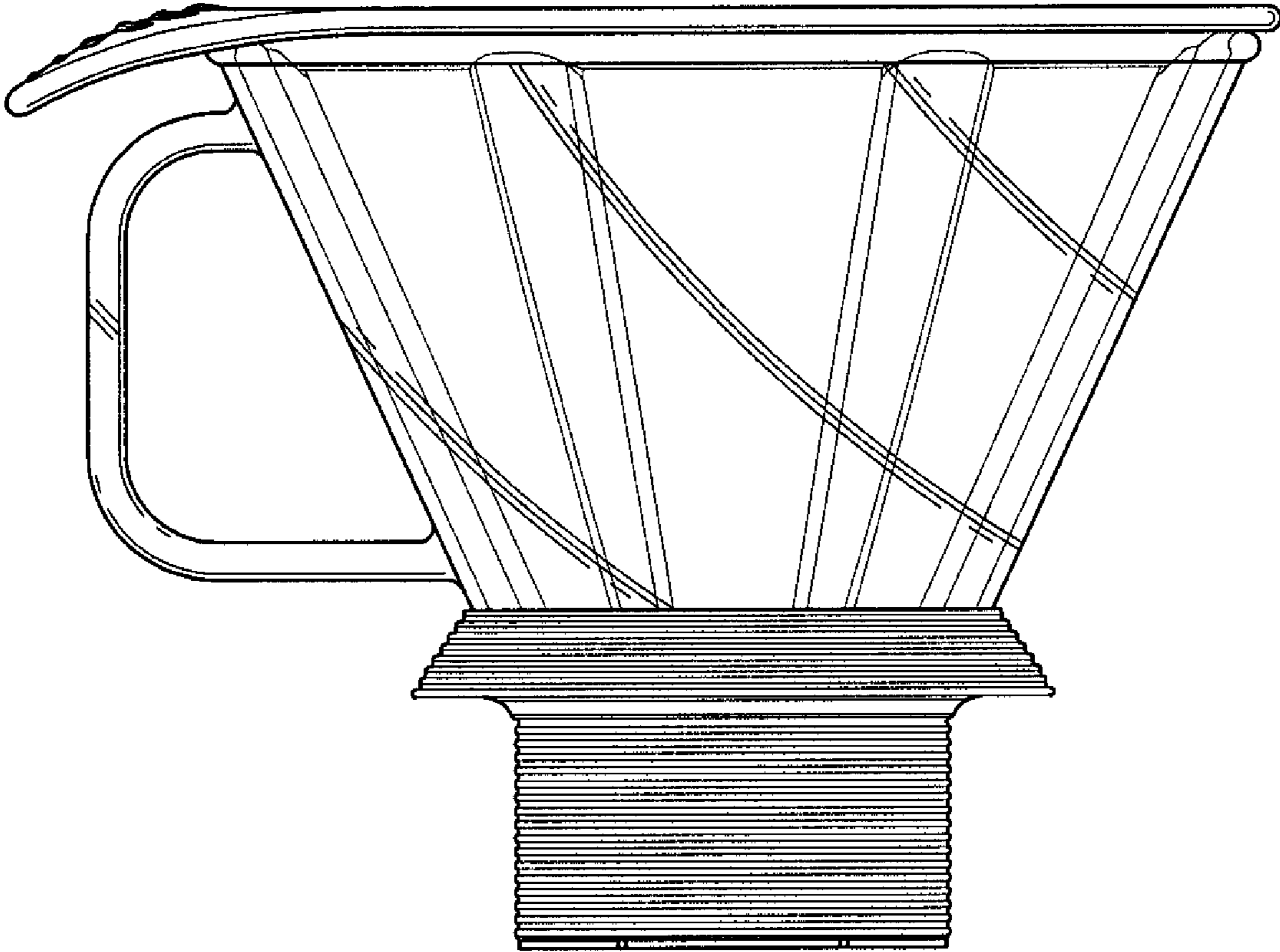


FIG. 3

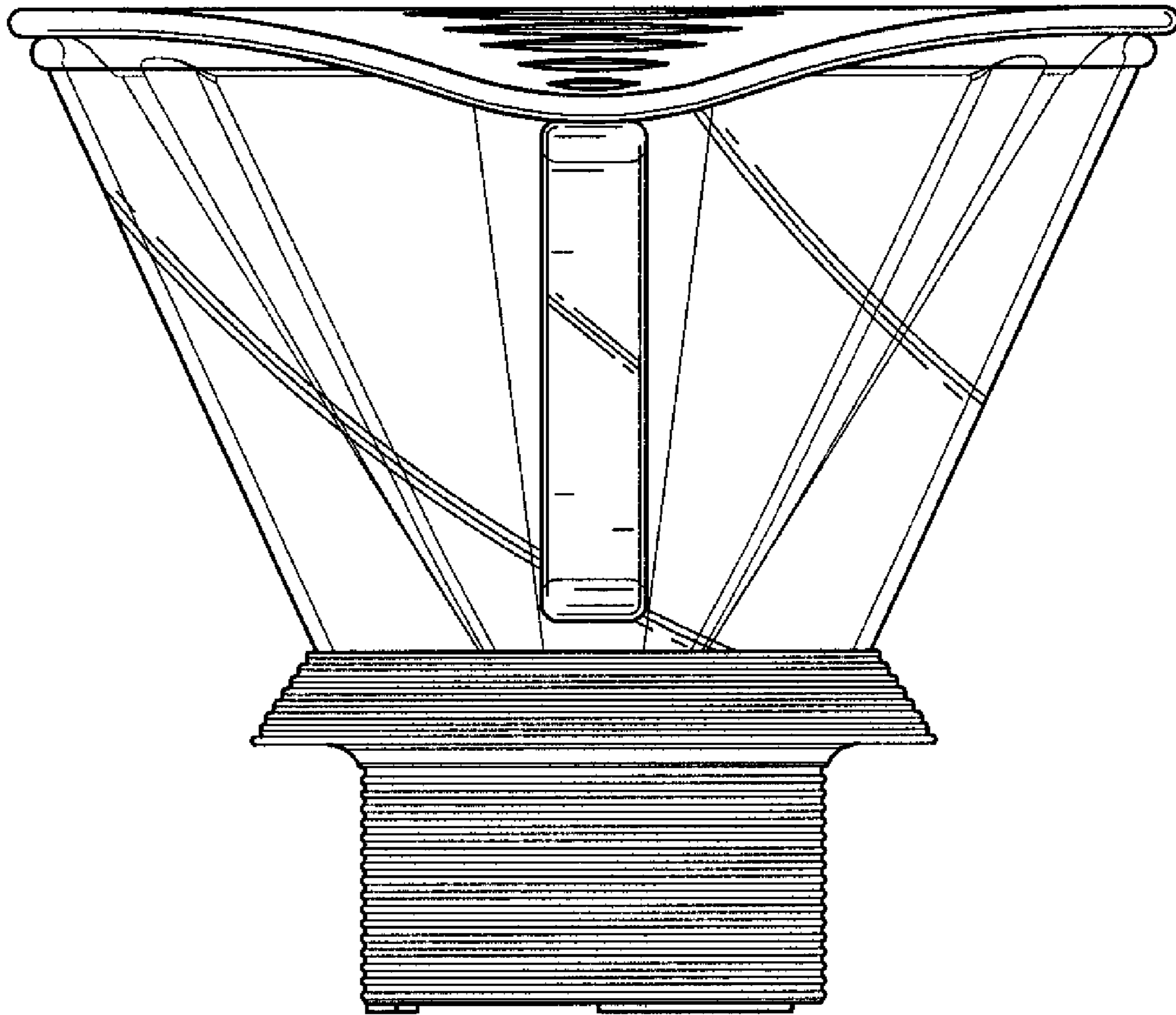


FIG. 4

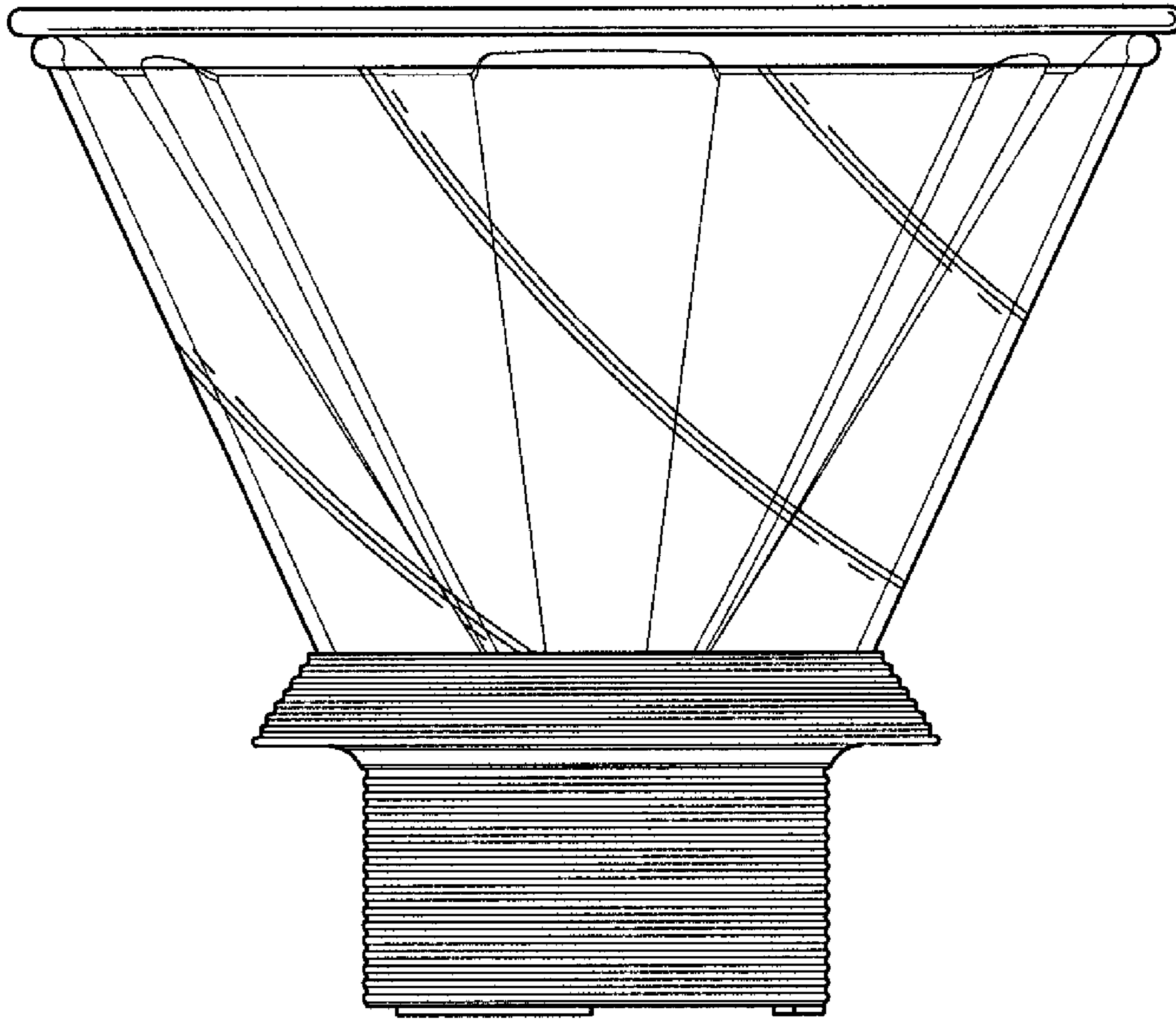


FIG. 5

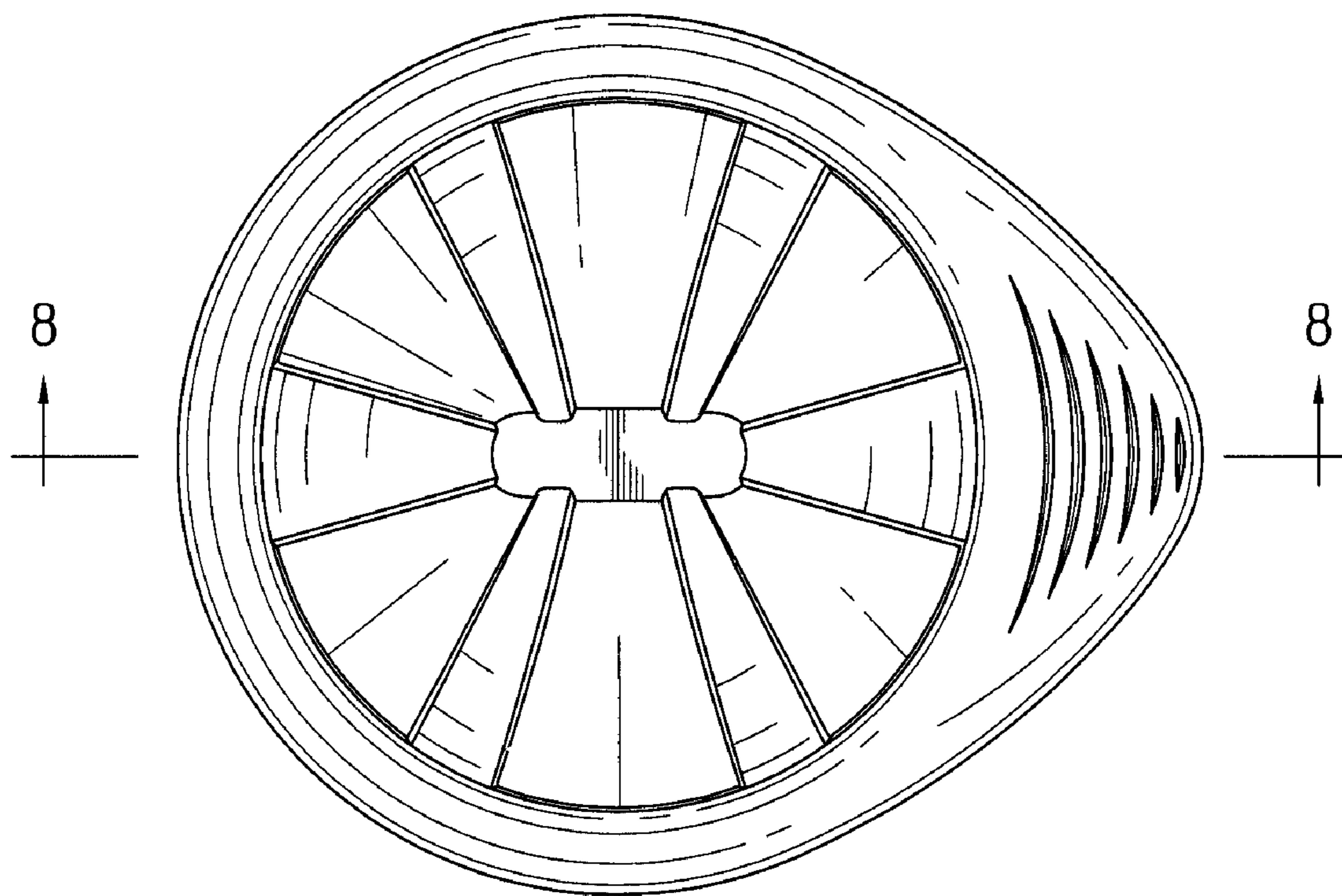


FIG. 6

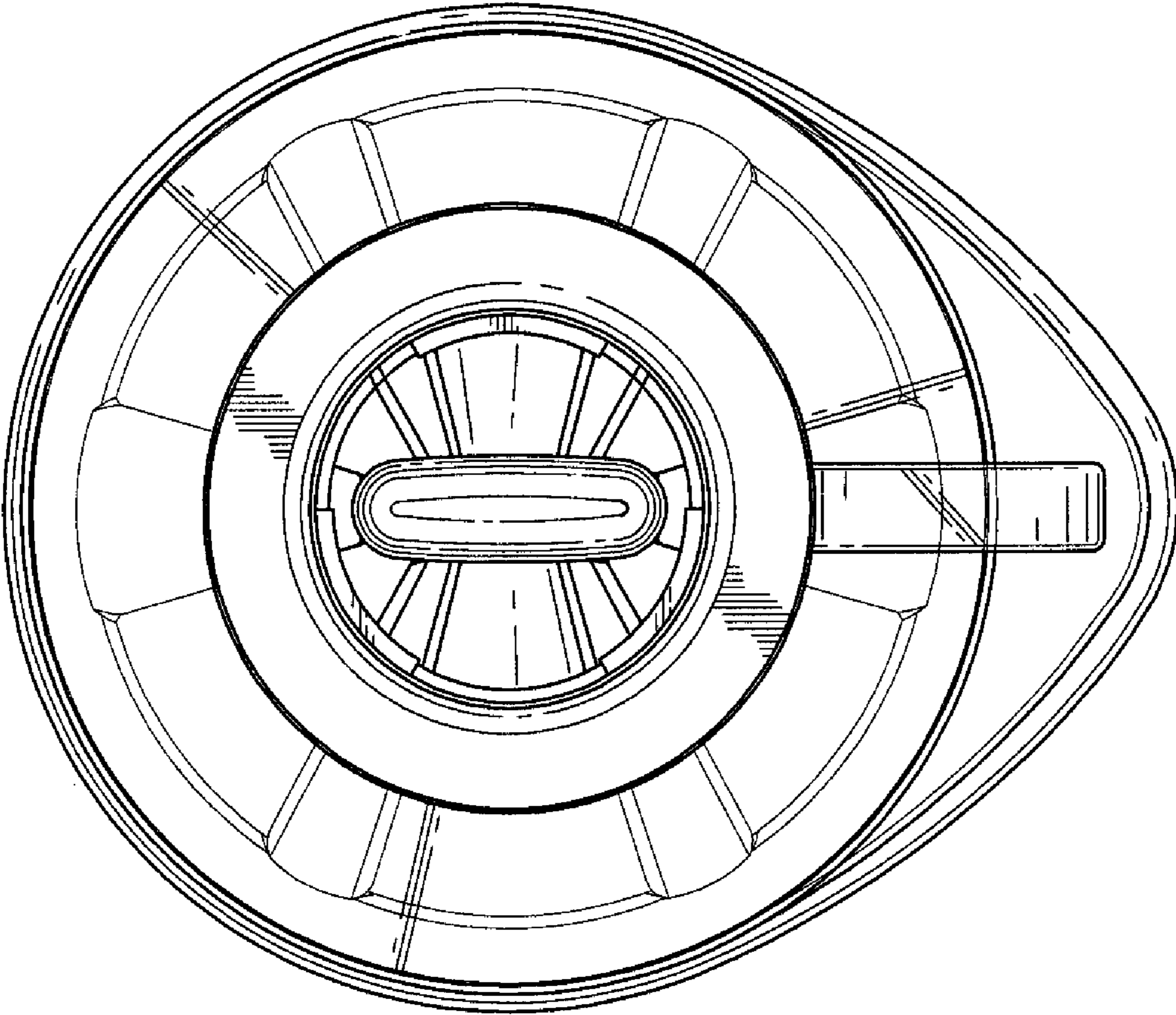


FIG. 7

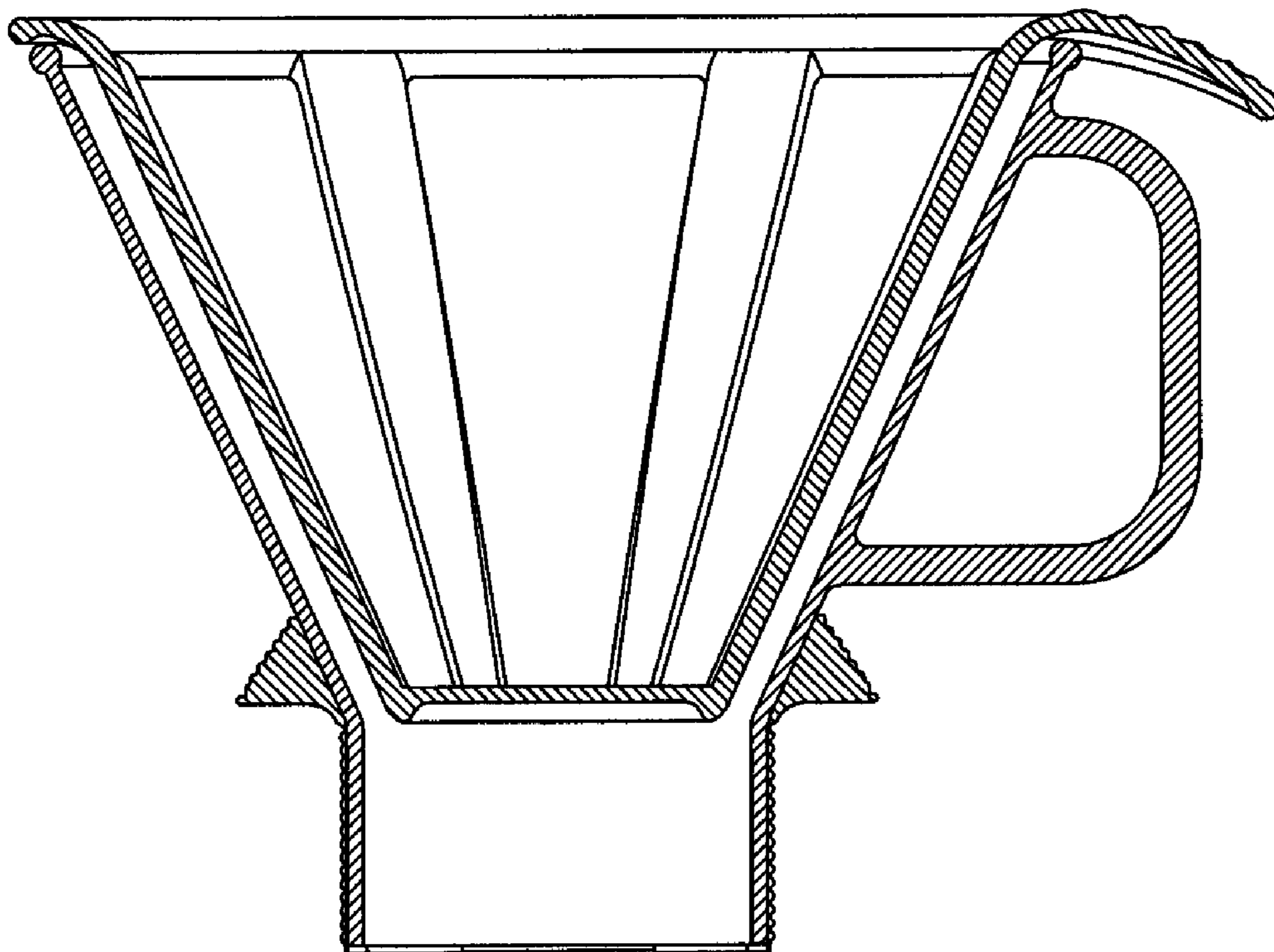


FIG. 8