

US00D564830S

(12) **United States Design Patent**  
**Holmes**

(10) **Patent No.:** **US D564,830 S**  
(45) **Date of Patent:** **\*\* Mar. 25, 2008**

(54) **LID**

(76) Inventor: **Nancy C. Holmes**, 1818 Middlemarch,  
Liberty, MO (US) 64068

(\*\*) Term: **14 Years**

(21) Appl. No.: **29/248,779**

(22) Filed: **Sep. 1, 2006**

(51) **LOC (8) Cl.** ..... **07-02**

(52) **U.S. Cl.** ..... **D7/392**

(58) **Field of Classification Search** ..... D7/313,  
D7/321, 391, 392, 392.1, 396.2, 629, 538,  
D7/541, 542, 510, 511, 601, 602, 605, 608,  
D7/612; D9/435, 436, 440, 447, 449, 450,  
D9/454, 503; 220/700, 701, 780; 222/545;  
215/200, 316

See application file for complete search history.

(56) **References Cited**

**U.S. PATENT DOCUMENTS**

- D288,667 S \* 3/1987 Miner ..... D9/443
- D374,590 S \* 10/1996 Ahern, Jr. .... D7/392.1
- 5,579,961 A \* 12/1996 Zimmerman ..... 222/545
- D411,408 S \* 6/1999 Ahern et al. .... D7/392
- D417,583 S \* 12/1999 Demore ..... D7/392.1
- D418,363 S \* 1/2000 Barnes et al. .... D7/392
- D418,364 S \* 1/2000 Demore ..... D7/392.1
- 6,382,476 B1 \* 5/2002 Randall et al. .... 222/545

- D476,892 S \* 7/2003 Martin et al. .... D9/449
- D522,362 S \* 6/2006 Liebe ..... D9/449
- D535,144 S \* 1/2007 George et al. .... D7/392.1

\* cited by examiner

*Primary Examiner*—Holly H. Baynham

*Assistant Examiner*—Cynthia M. Chin

(74) *Attorney, Agent, or Firm*—Blackwell Sanders LLP

(57) **CLAIM**

The ornamental design for a lid, as shown and described.

**DESCRIPTION**

FIG. 1 is a top isometric view of the lid showing my new design;

FIG. 2 is a front elevational view of the lid of FIG. 1;

FIG. 3 is a top plan view of the lid of FIG. 1;

FIG. 4 is a right elevational view of the lid of FIG. 1;

FIG. 5 is a left elevational view of the lid of FIG. 1;

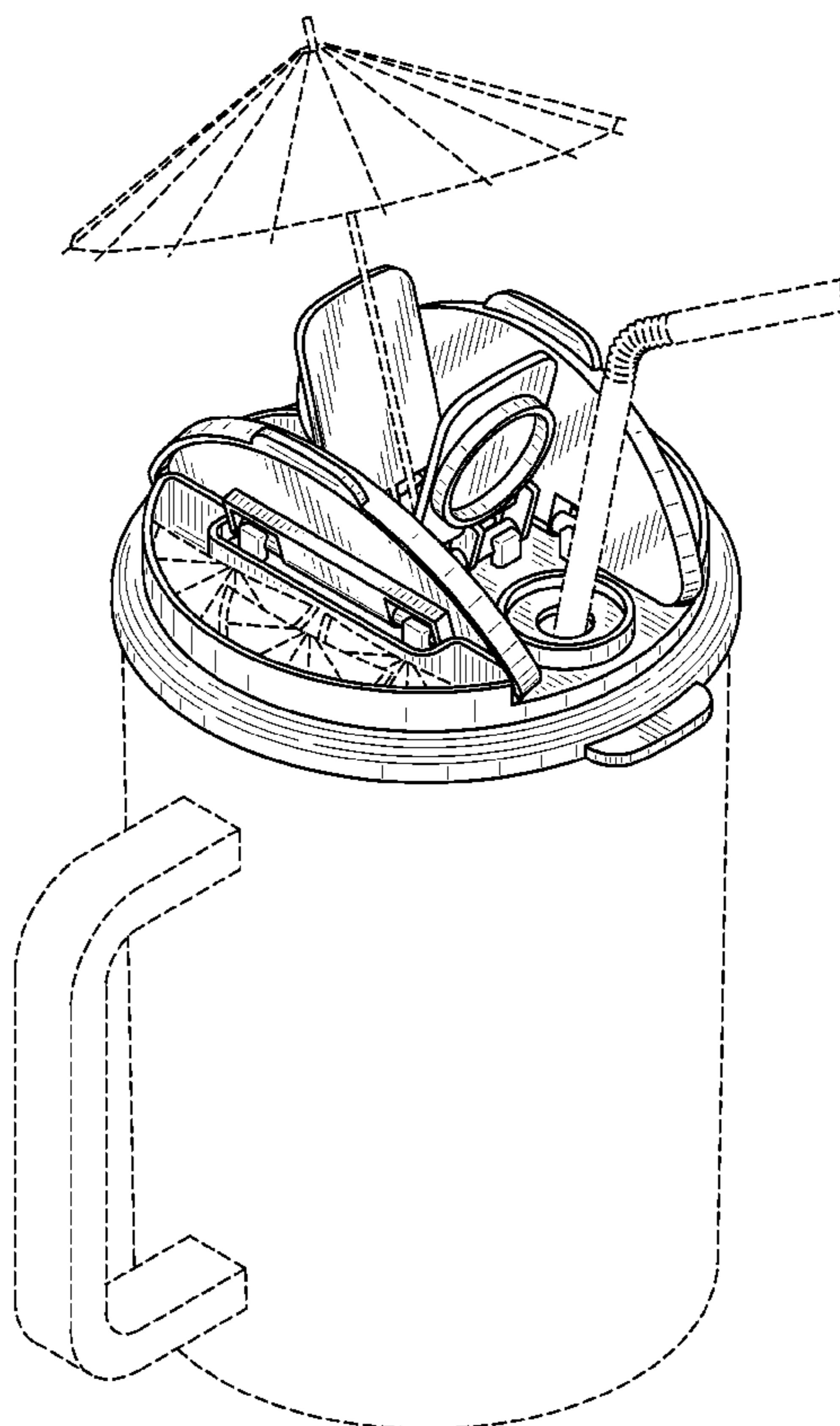
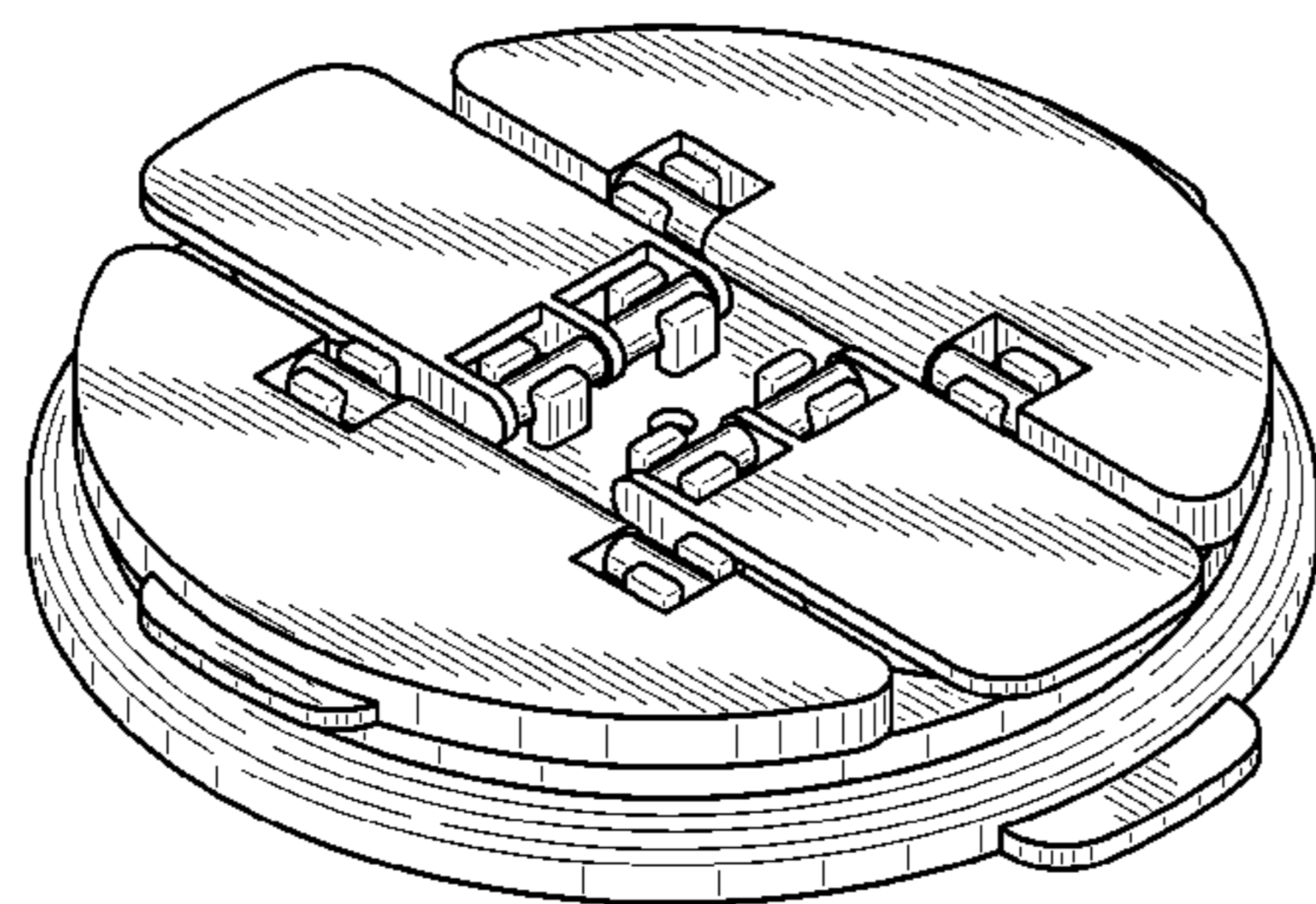
FIG. 6 is a rear elevational view of the lid of FIG. 1;

FIG. 7 is a bottom plan view of the lid of FIG. 1; and,

FIG. 8 is an environmental view of the lid of FIG. 1 with all closures in the open position.

The broken lines are for illustrative purposes only and form no part of the claimed design.

**1 Claim, 5 Drawing Sheets**



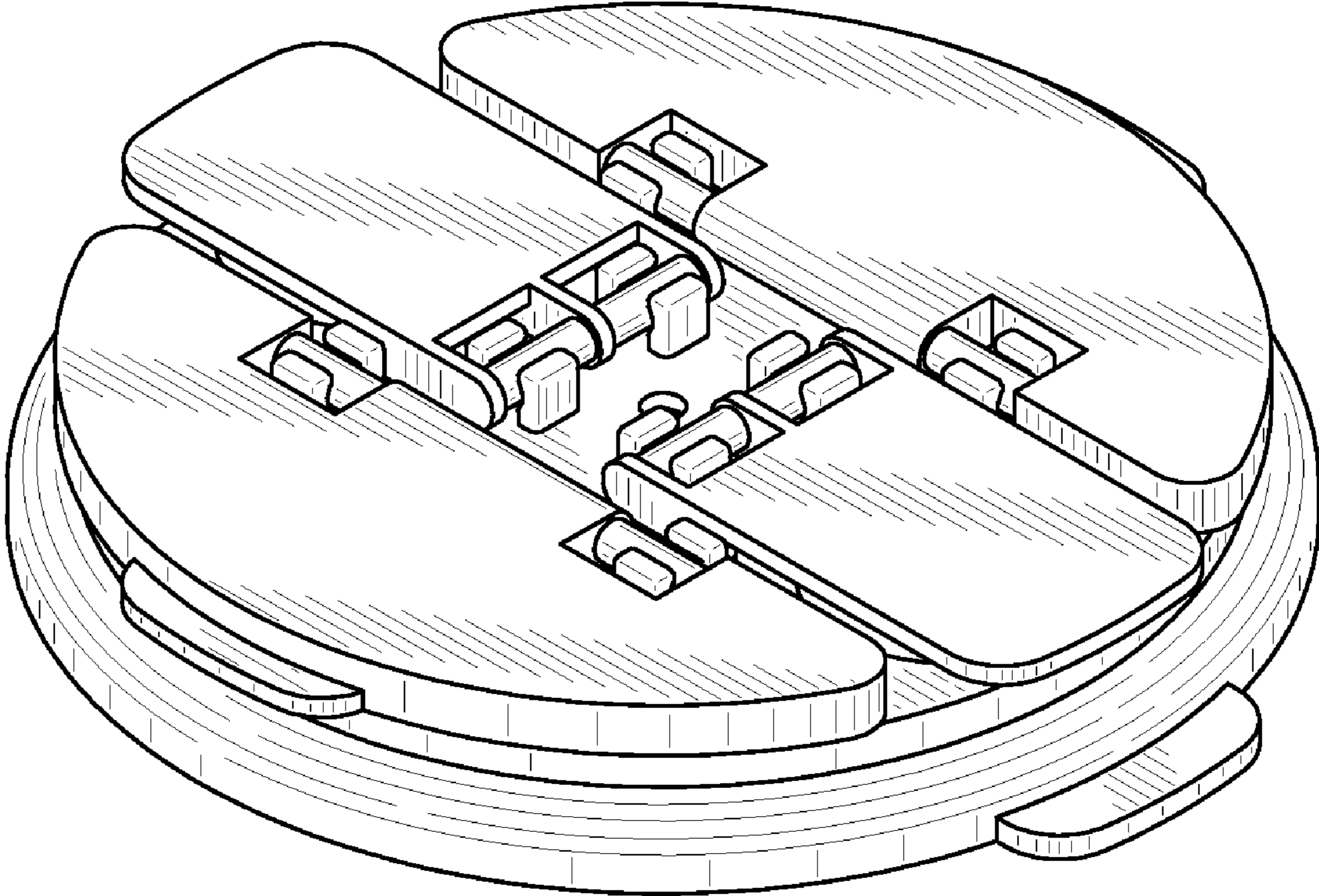


FIG. 1



FIG. 2

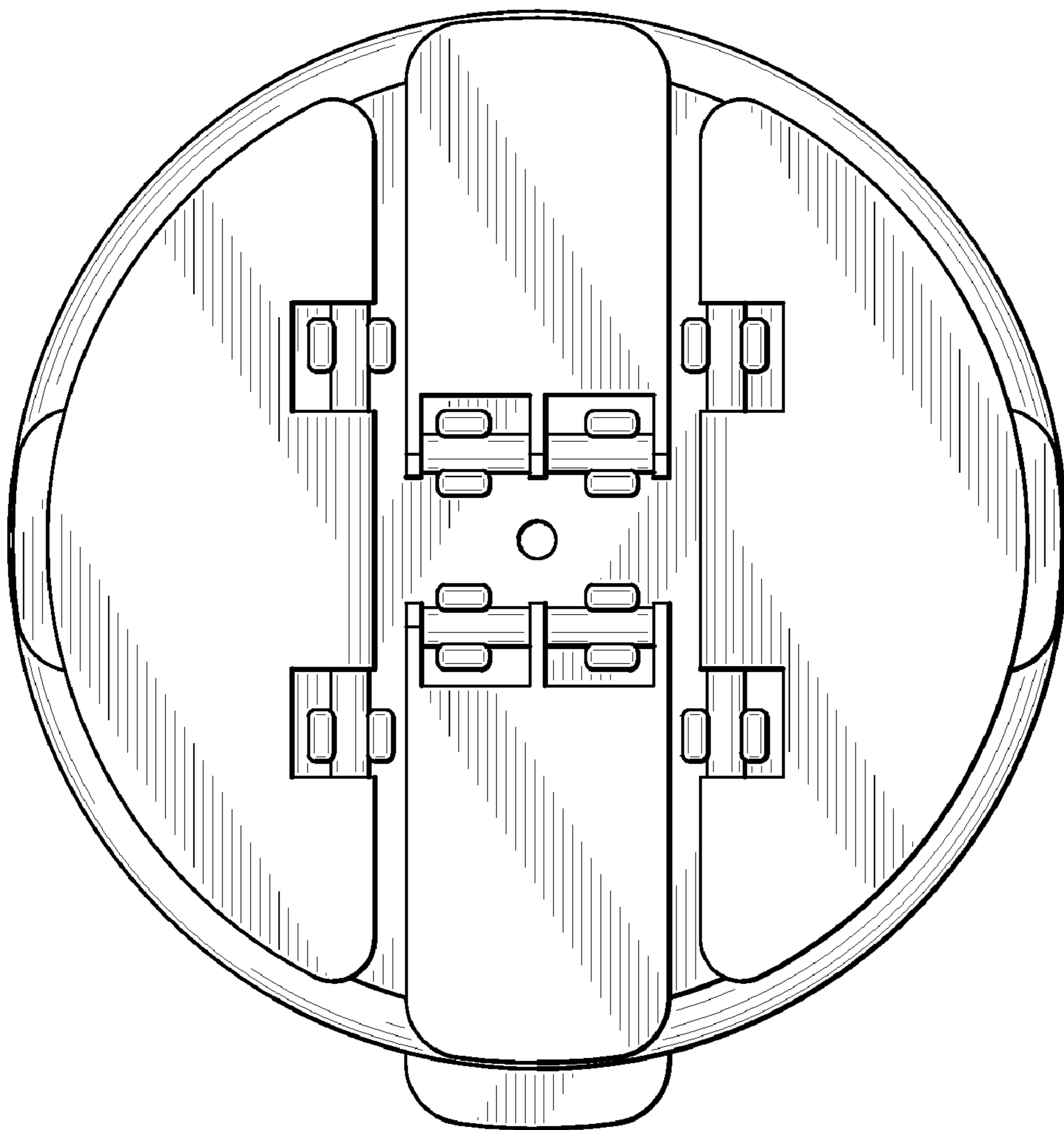


FIG. 3

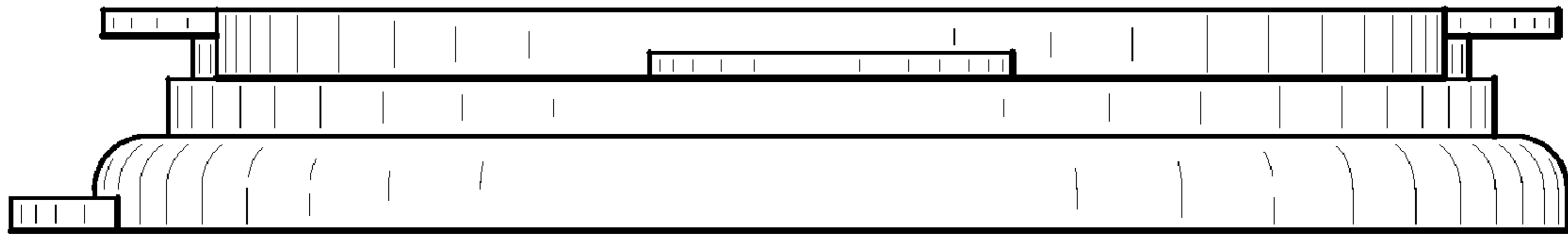


FIG. 4

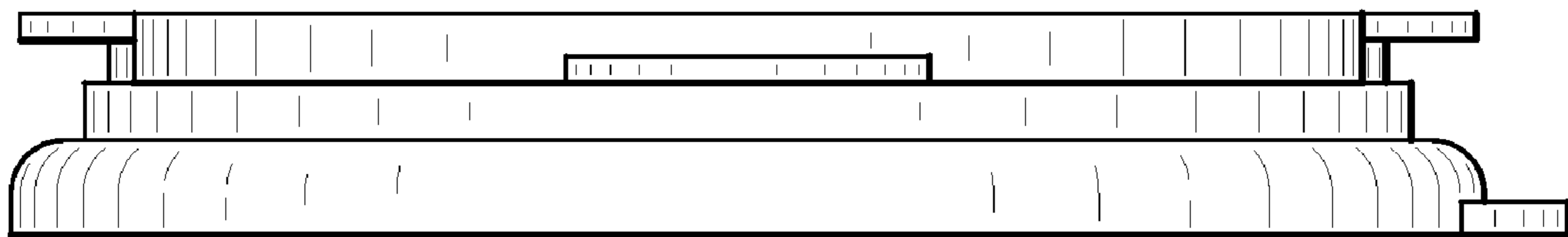


FIG. 5

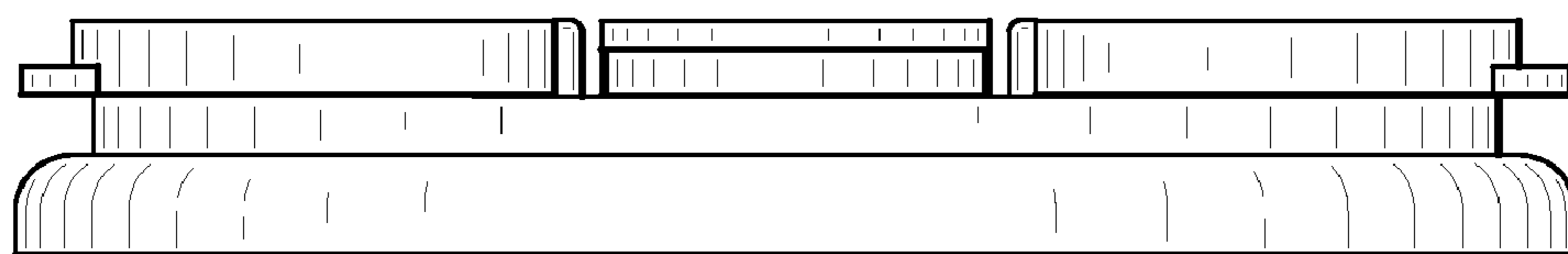


FIG. 6

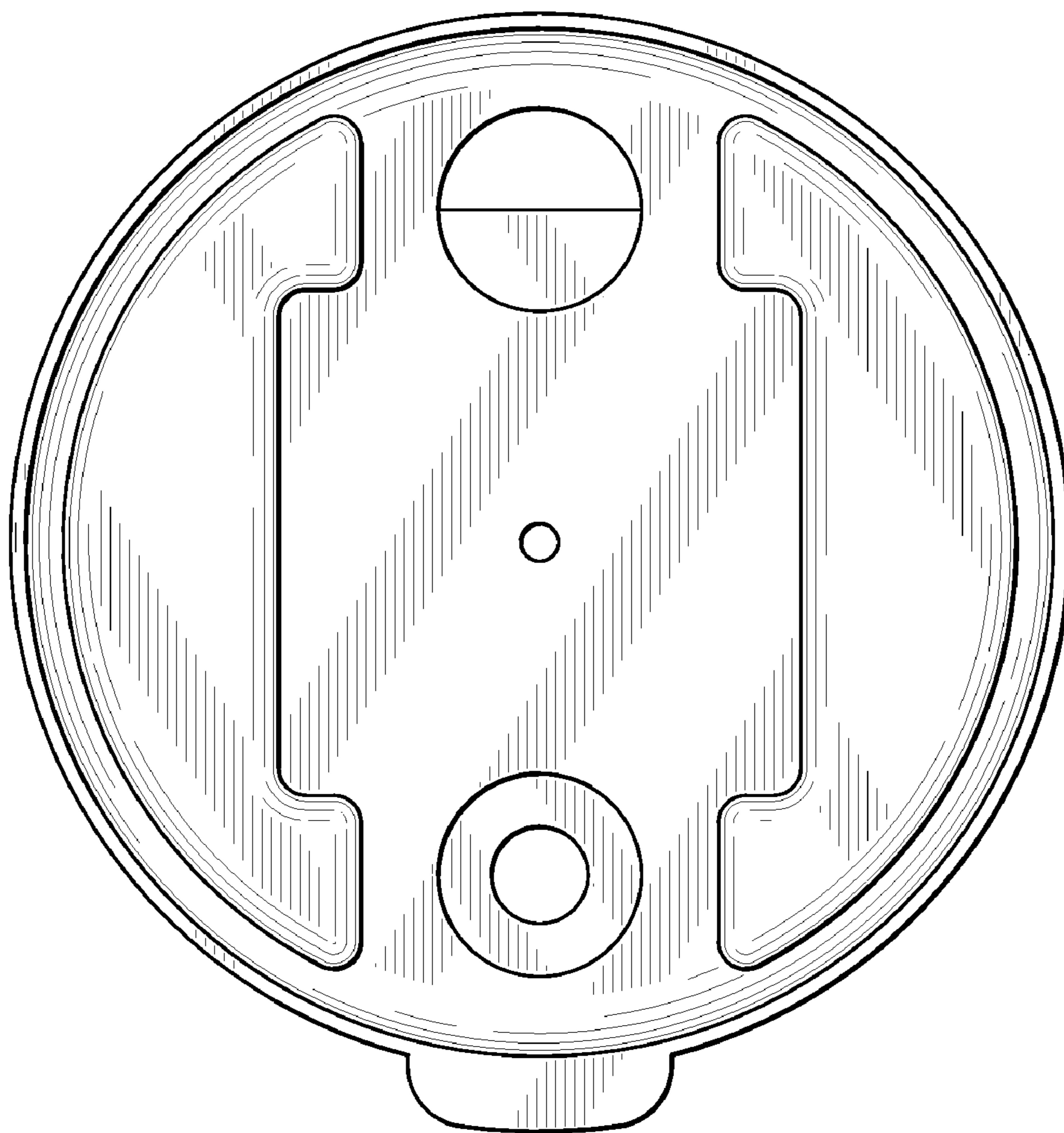


FIG. 7

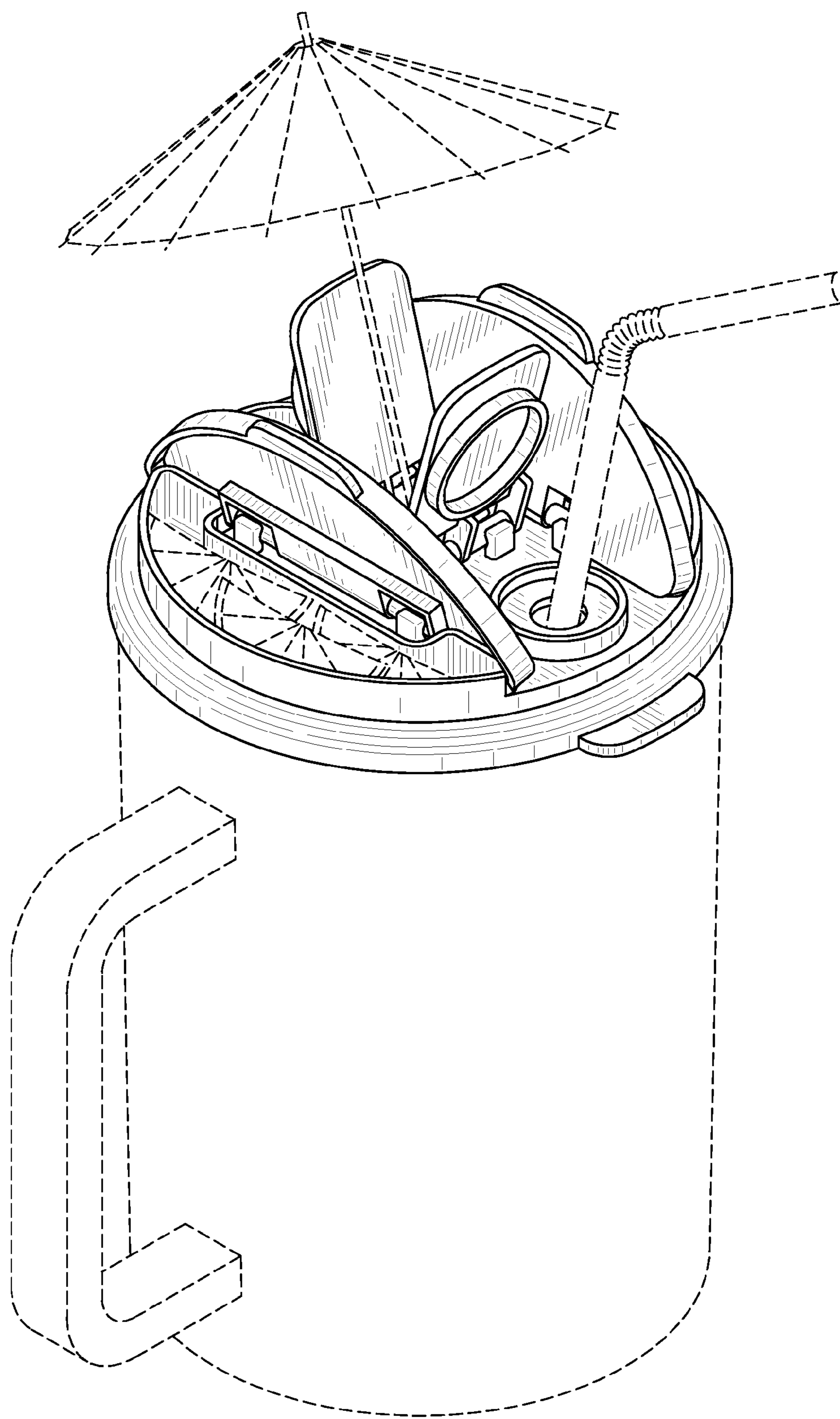


FIG. 8