

US00D564829S

(12) **United States Design Patent**
Cohen et al.

(10) **Patent No.:** **US D564,829 S**
(45) **Date of Patent:** **** Mar. 25, 2008**

(54) **FOOD PROCESSOR**

(75) Inventors: **Eli Cohen**, Lev HaSharon (IL); **Ann Grant**, New York, NY (US)

(73) Assignee: **AAC Trade Ltd.**, NY, NY (US)

(**) Term: **14 Years**

(21) Appl. No.: **29/287,124**

(22) Filed: **Jun. 29, 2007**

(51) **LOC (8) Cl.** **31-00**

(52) **U.S. Cl.** **D7/384**

(58) **Field of Classification Search** D7/368,
D7/372, 376-386, 399, 412-414; D8/34;
99/337, 509-511, 645; 241/30-37.5, 92,
241/93, 101.01-101.2, 166-169.1, 273.2,
241/273.3, 274-278.2, 285.1-285.3, 291,
241/292.1; 366/64-67, 197-221, 241-254,
366/279-292, 314, 341-343

See application file for complete search history.

(56) **References Cited**

U.S. PATENT DOCUMENTS

4,113,188 A * 9/1978 Belinkoff 241/37.5

D250,568 S * 12/1978 Belinkoff D7/384
4,184,641 A * 1/1980 Coggiola 241/37.5
5,445,332 A * 8/1995 Shimizu et al. 241/100
D366,984 S * 2/1996 Hsu D7/376
D368,622 S * 4/1996 Izumi D7/384
D369,511 S * 5/1996 Chen D7/384

* cited by examiner

Primary Examiner—Caron D. Veynar

Assistant Examiner—Ricky Pham

(57) **CLAIM**

The ornamental design for a food processor, as shown.

DESCRIPTION

FIG. 1 is a left side view of a food processor showing our new design;

FIG. 2 is a right side view thereof;

FIG. 3 is a front view thereof;

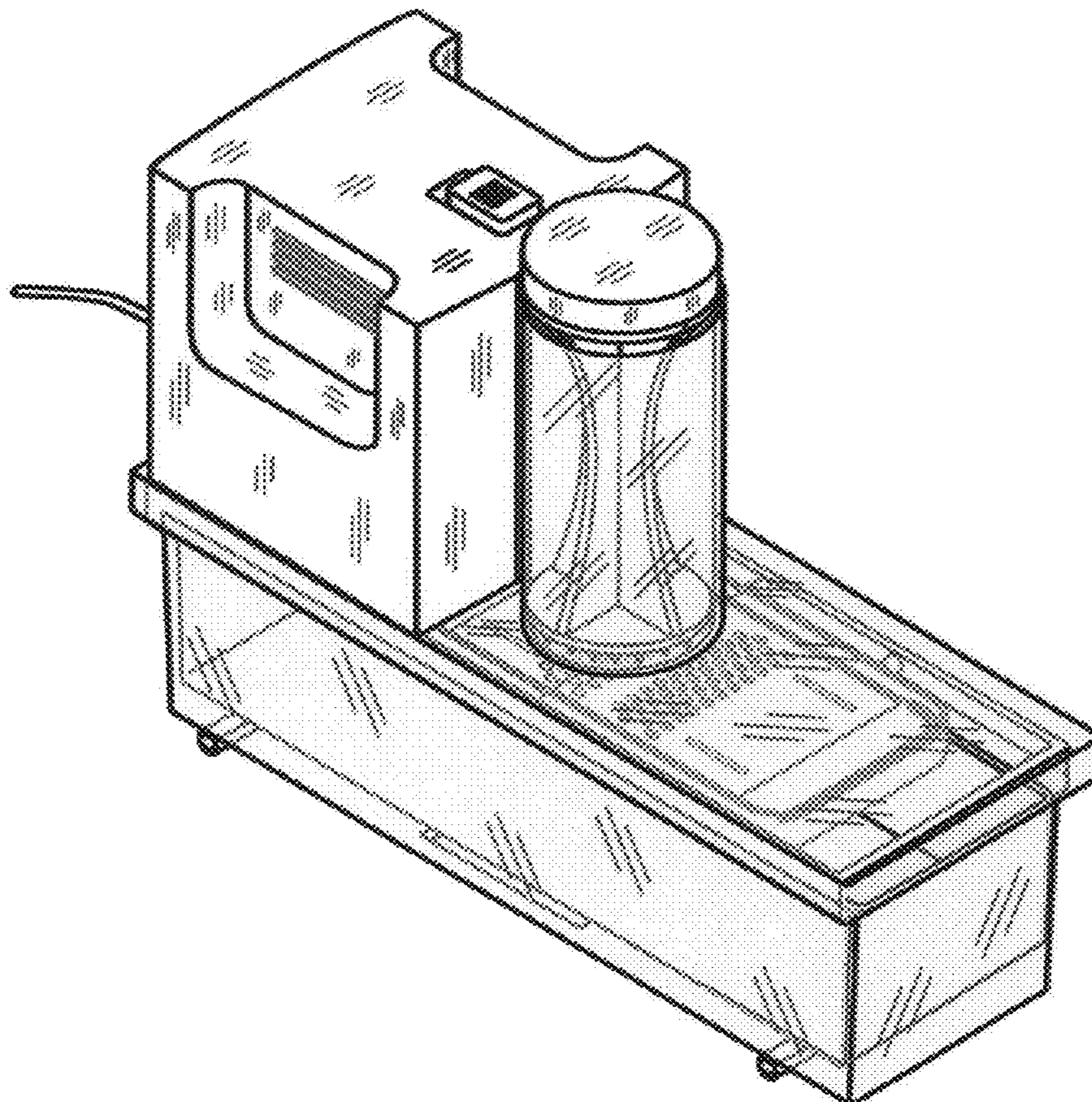
FIG. 4 is a rear view thereof;

FIG. 5 is a top view thereof;

FIG. 6 is bottom view thereof; and,

FIG. 7 is a perspective view thereof.

1 Claim, 6 Drawing Sheets



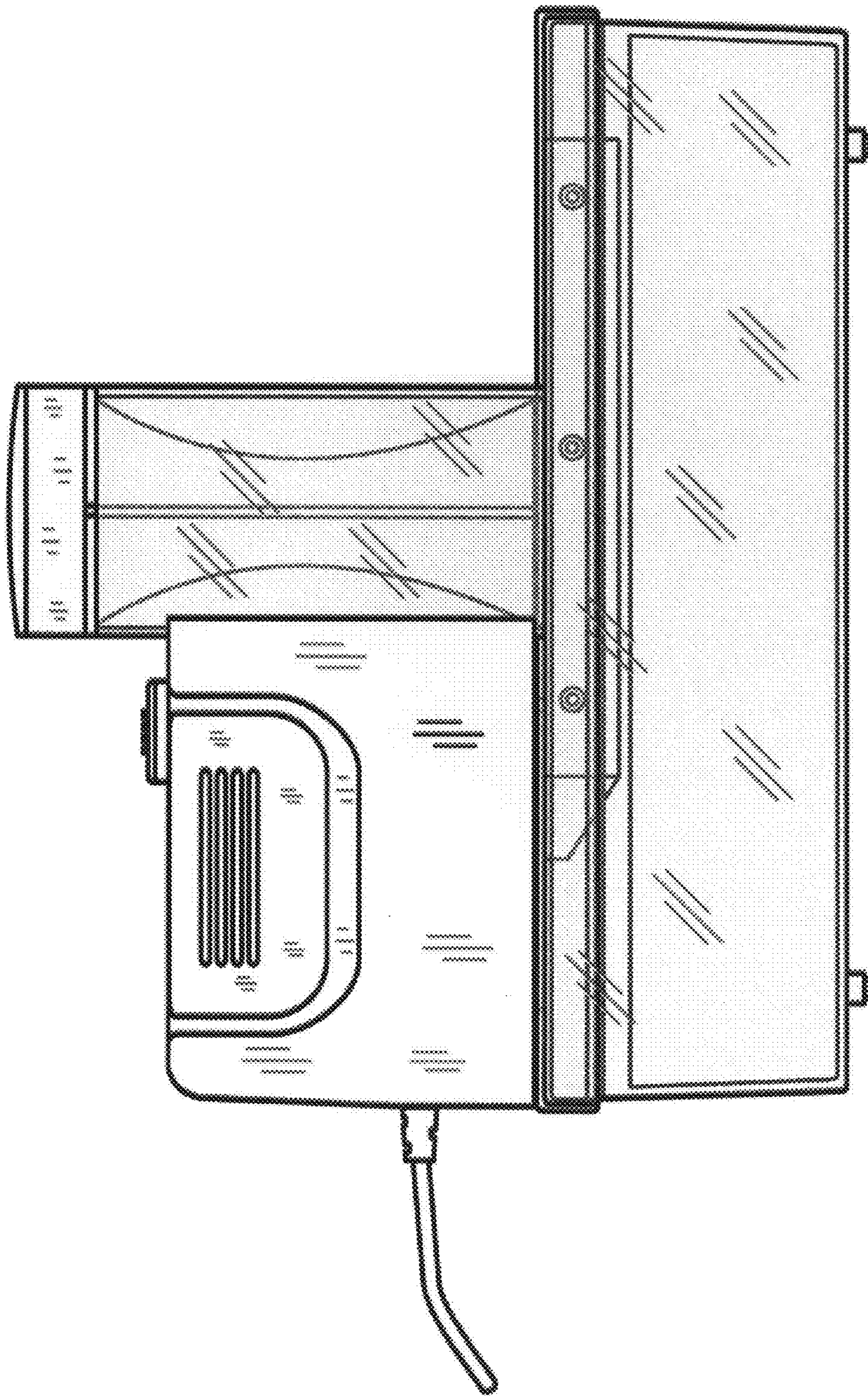


Fig. 1

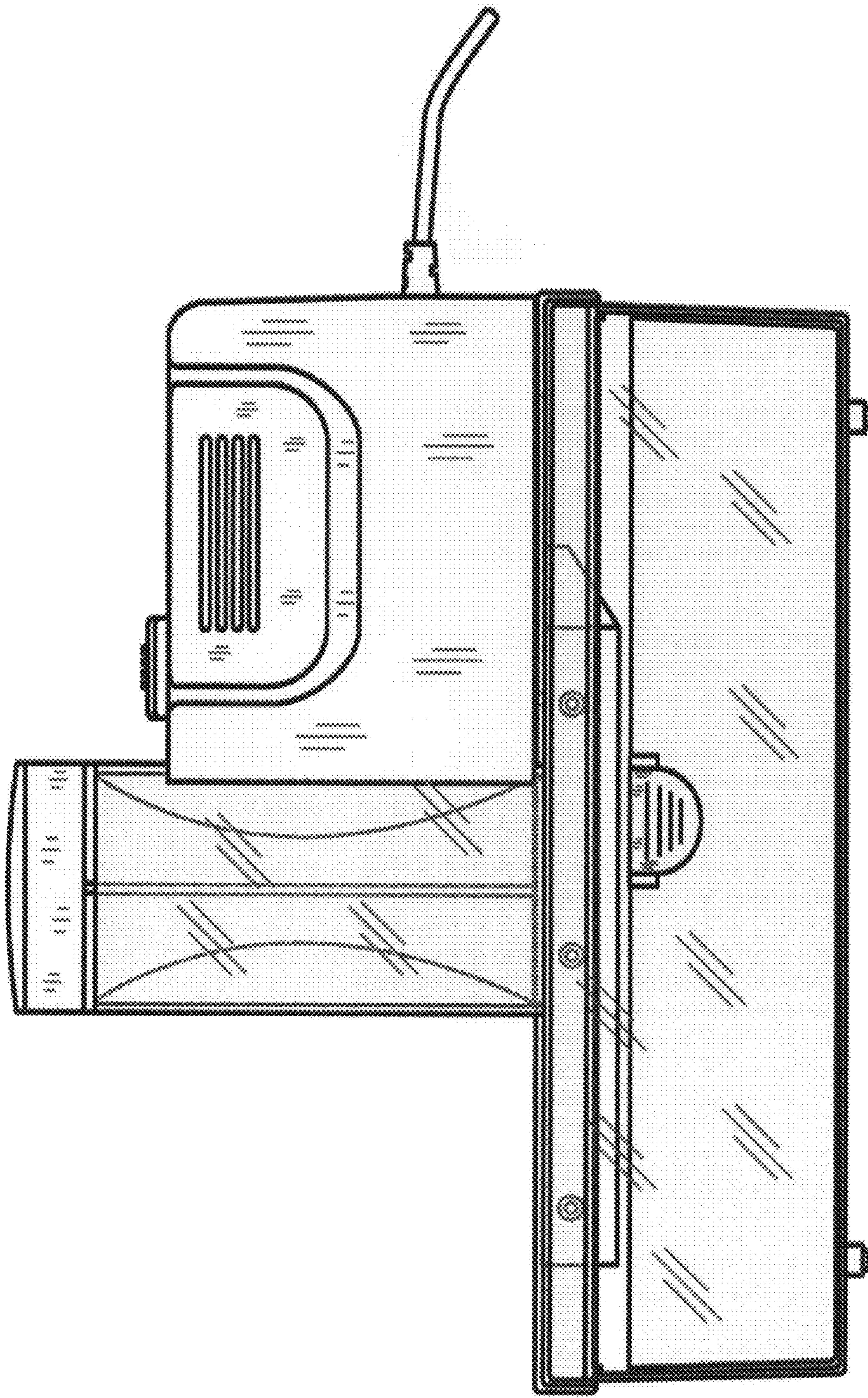


Fig. 2

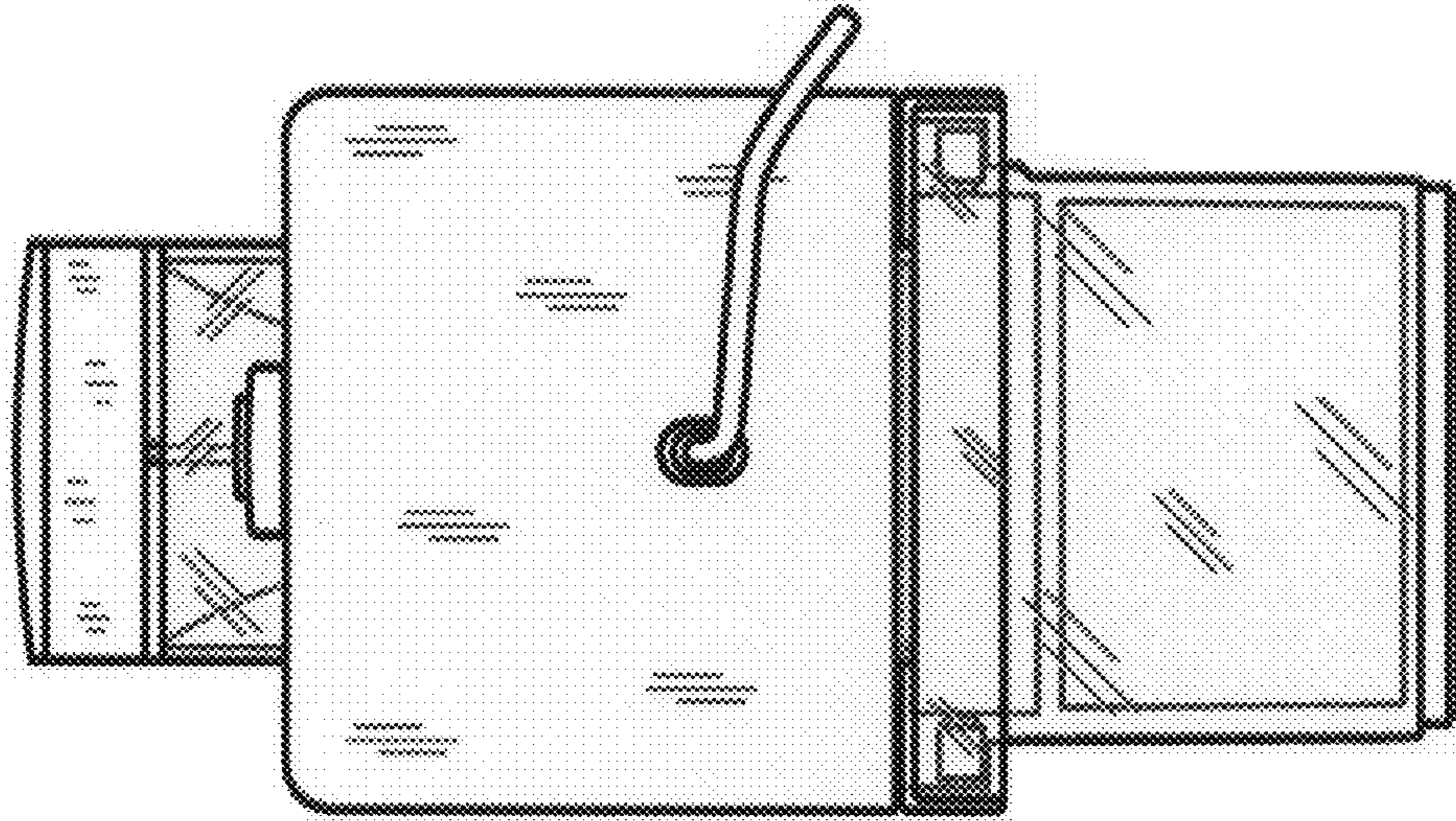


Fig. 4

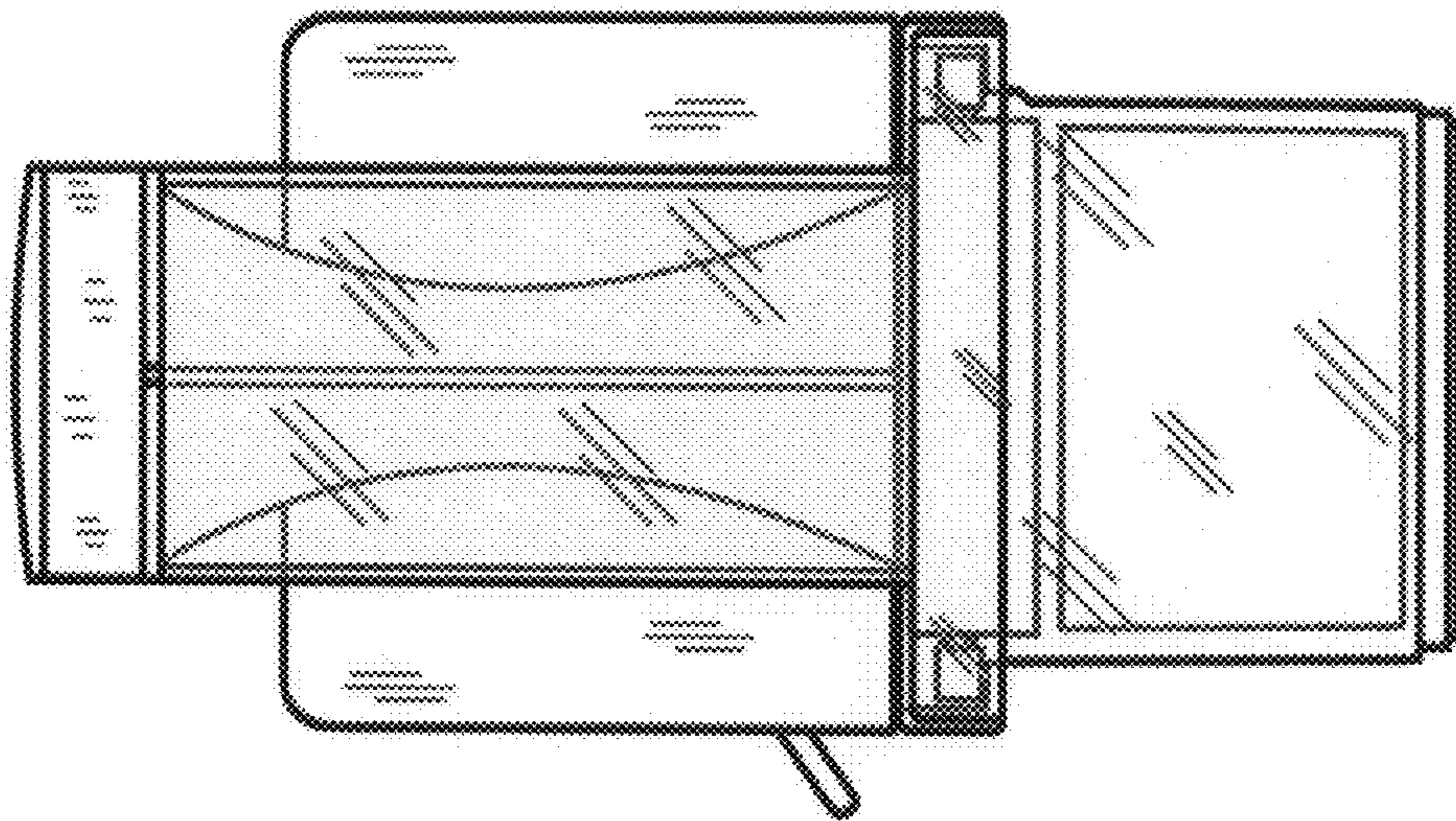


Fig. 3

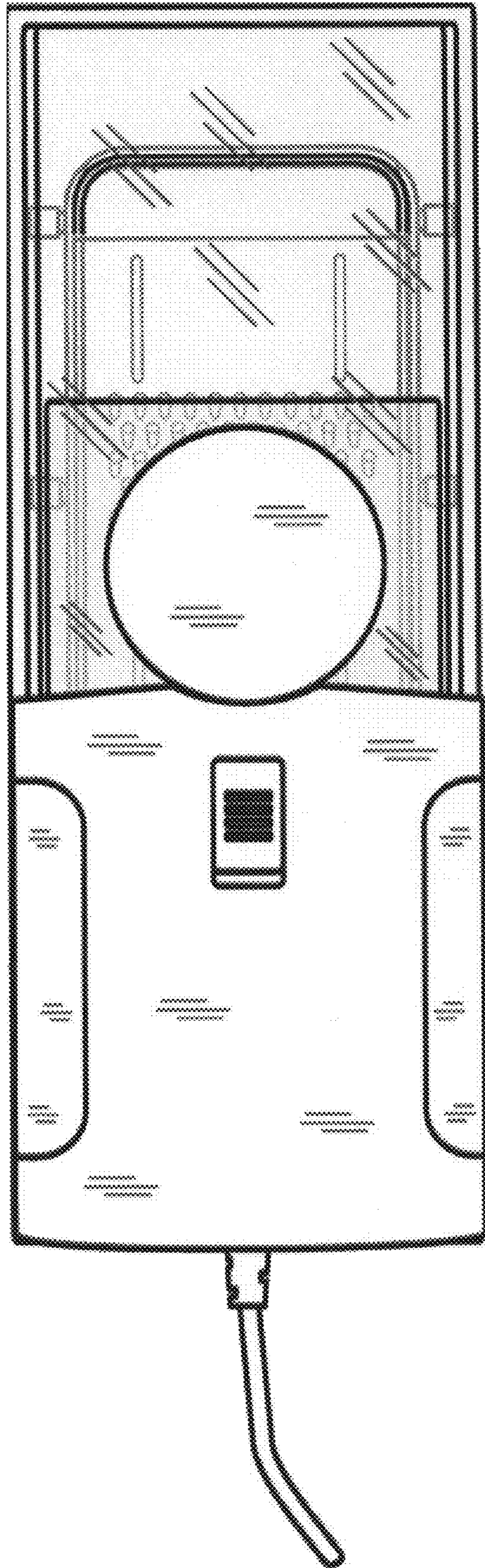


Fig. 5

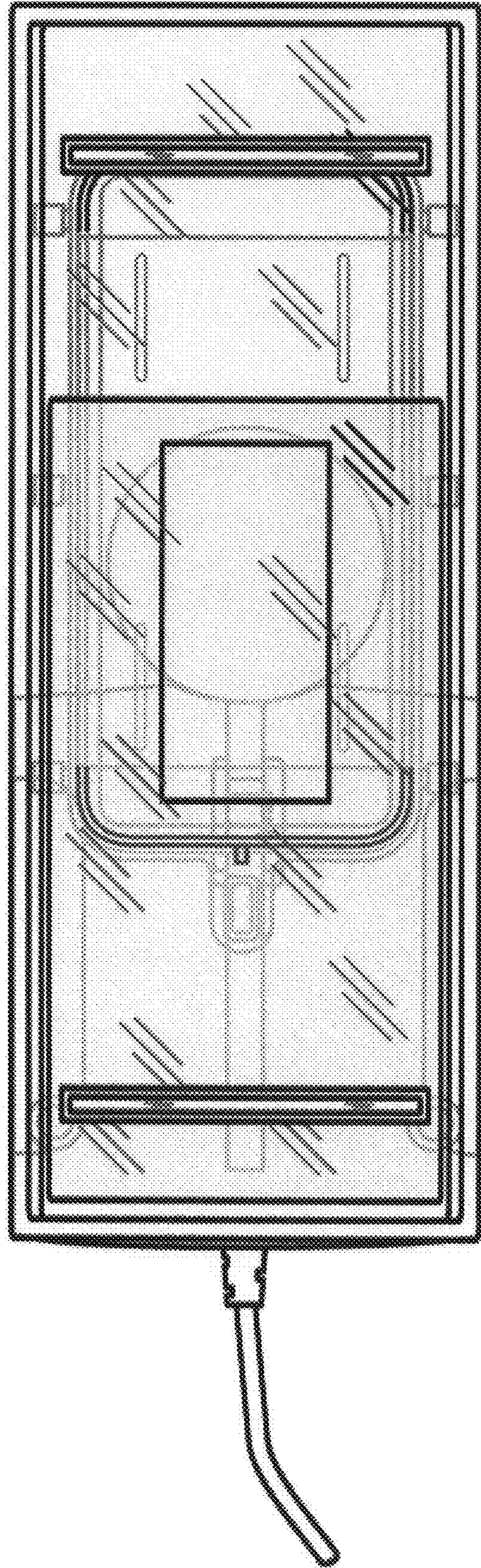


Fig. 6

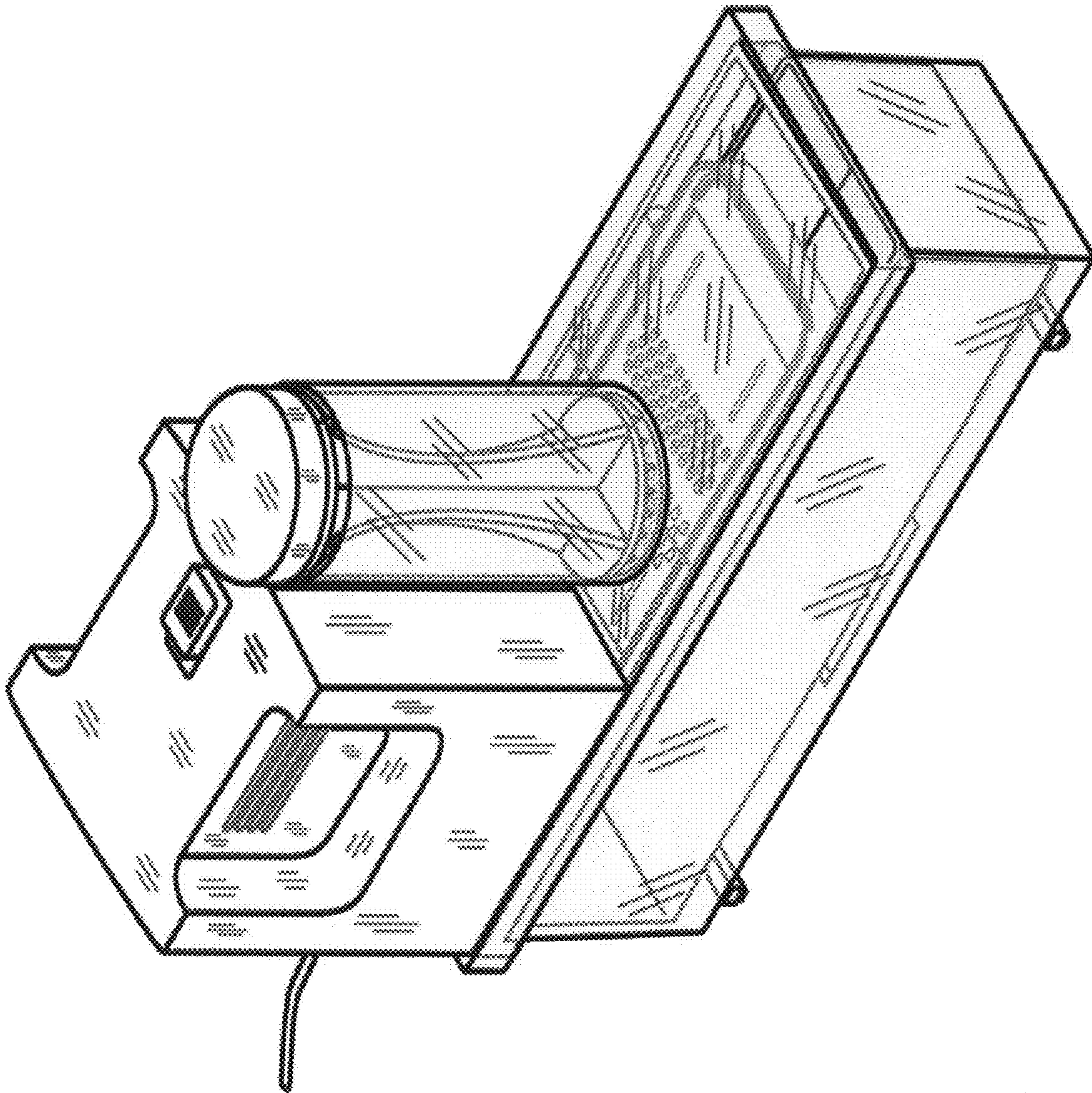


Fig. 7