



US00D564827S

(12) **United States Design Patent**  
**Ha**

(10) **Patent No.:** **US D564,827 S**  
(45) **Date of Patent:** **\*\* Mar. 25, 2008**

(54) **EXTENDABLE BAKING TRAY**

(75) Inventor: **Dick-Chau Ha**, Kowloon (HK)

(73) Assignee: **Tiffany Materials, Limited**, Kowloon (HK)

(\*\*) Term: **14 Years**

(21) Appl. No.: **29/248,178**

(22) Filed: **Aug. 1, 2006**

(51) **LOC (8) Cl.** ..... **07-02**

(52) **U.S. Cl.** ..... **D7/354**

(58) **Field of Classification Search** ..... D7/323,  
D7/354-360, 392.1, 393, 396.1, 538, 543,  
D7/545, 550.1, 551.1, 552.1, 553.1, 554.1-554.4,  
D7/602, 698; 99/324, 339, 422, 446, 448;  
206/557; 220/573.1-573.4, 574, 912; 294/172  
See application file for complete search history.

(56) **References Cited**

**U.S. PATENT DOCUMENTS**

- 1,756,558 A \* 4/1930 Katzinger ..... 99/450
- D381,564 S \* 7/1997 Kolada ..... D7/698
- D424,891 S \* 5/2000 Kaposi ..... D7/698
- 2005/0194287 A1 \* 9/2005 Lien et al. .... 206/565
- 2007/0164579 A1 \* 7/2007 Pike ..... 294/144

\* cited by examiner

*Primary Examiner*—Caron D. Veynar

*Assistant Examiner*—Ricky Pham

(74) *Attorney, Agent, or Firm*—Weiner & Burt, P.C.; Irving M. Weiner; Pamela S. Burt

(57) **CLAIM**

The ornamental design for an “extendable baking tray”, as shown and described.

**DESCRIPTION**

FIG. 1 is a perspective view of an extendable baking tray showing my new design;

FIG. 2 is a perspective view of an extendable baking tray shown in use when extended;

FIG. 3 is a front end view thereof, of which the rear end view thereof is a mirror image;

FIG. 4 is a left side view thereof, of which the right side view thereof is a mirror image;

FIG. 5 is a left side view thereof, shown in use when extended, of which the right side view thereof is a mirror image;

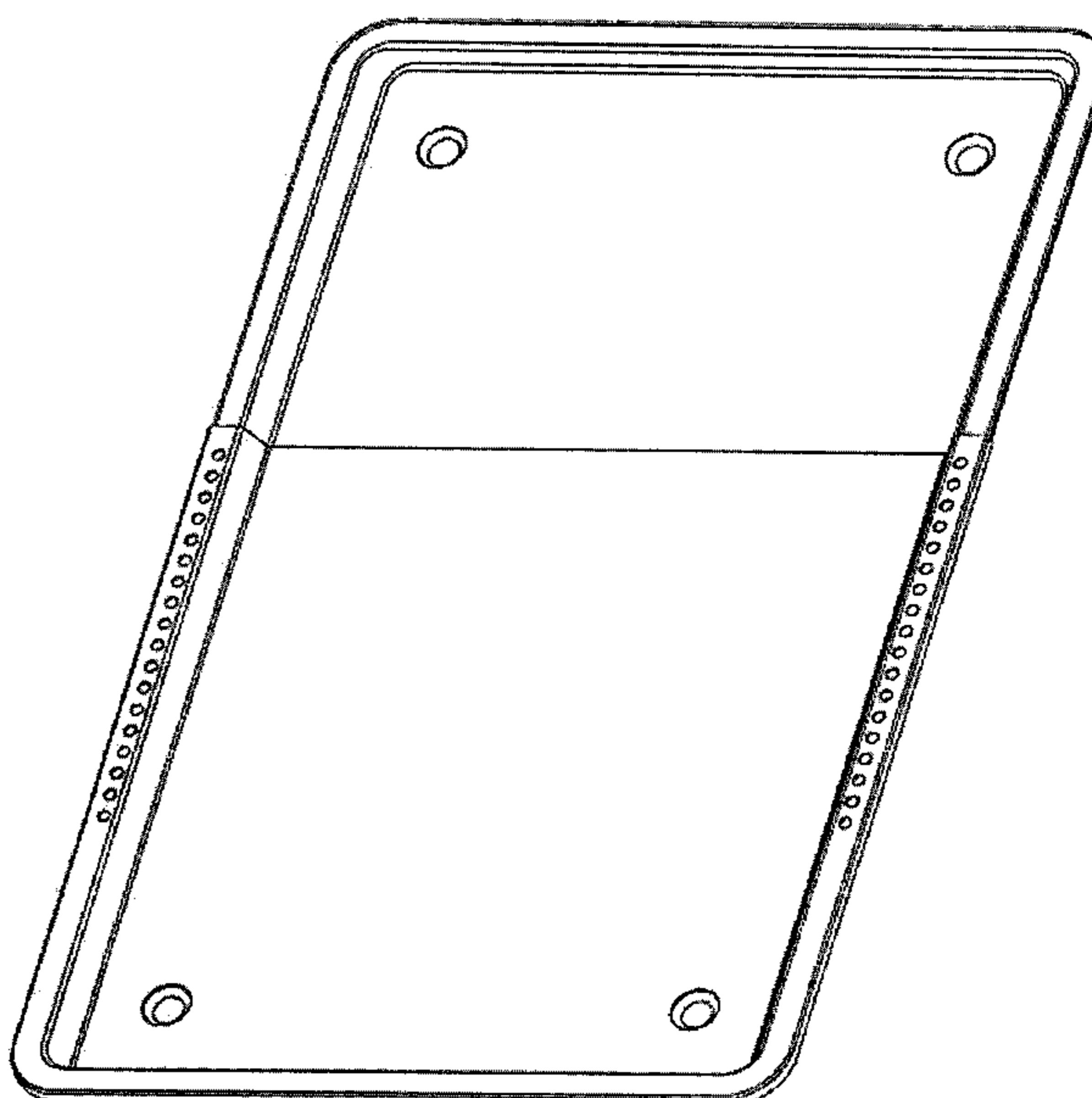
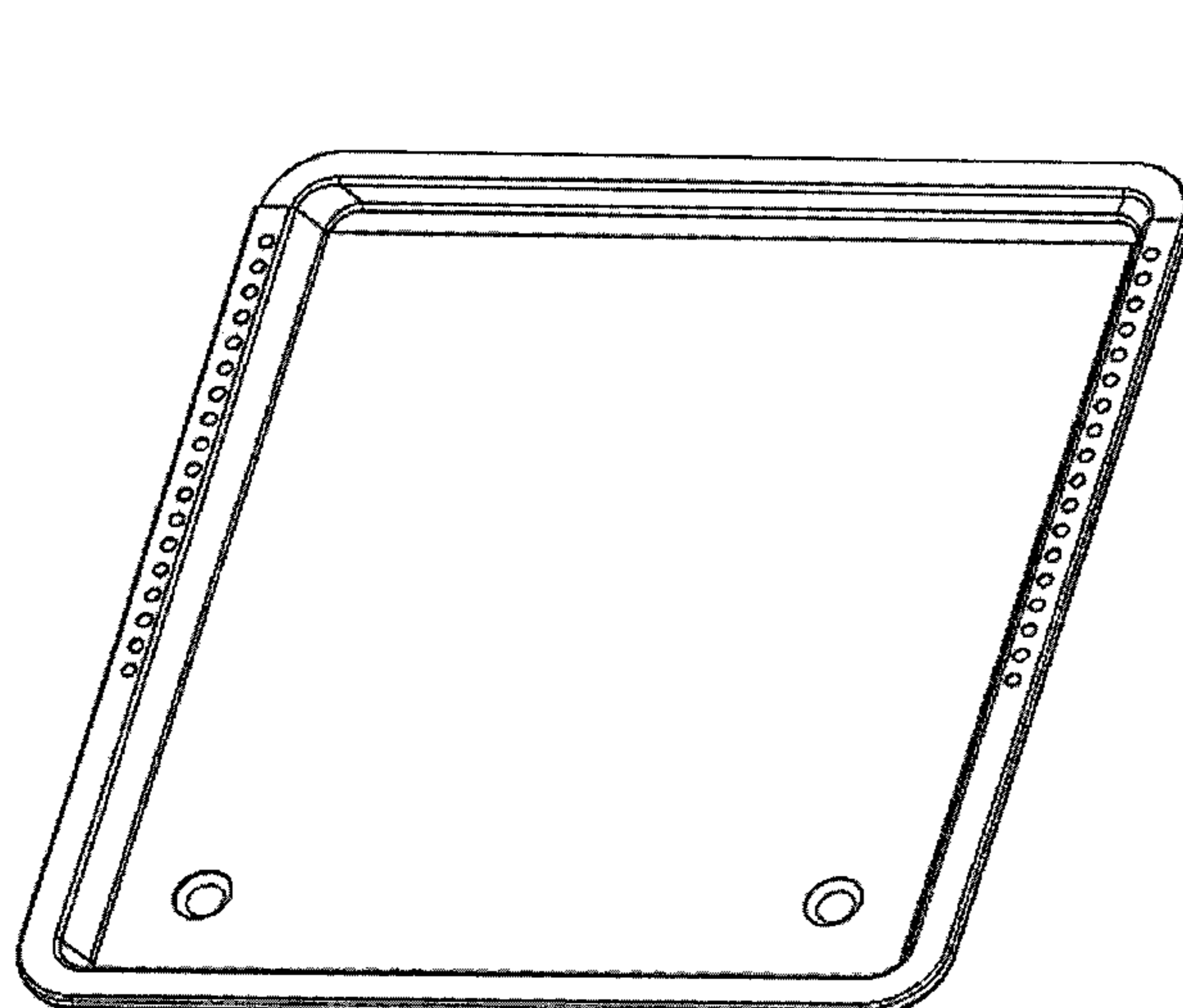
FIG. 6 is a top view thereof;

FIG. 7 is a top view thereof, shown in use when extended;

FIG. 8 is a bottom view thereof; and,

FIG. 9 is a bottom view thereof shown in use when extended.

**1 Claim, 9 Drawing Sheets**



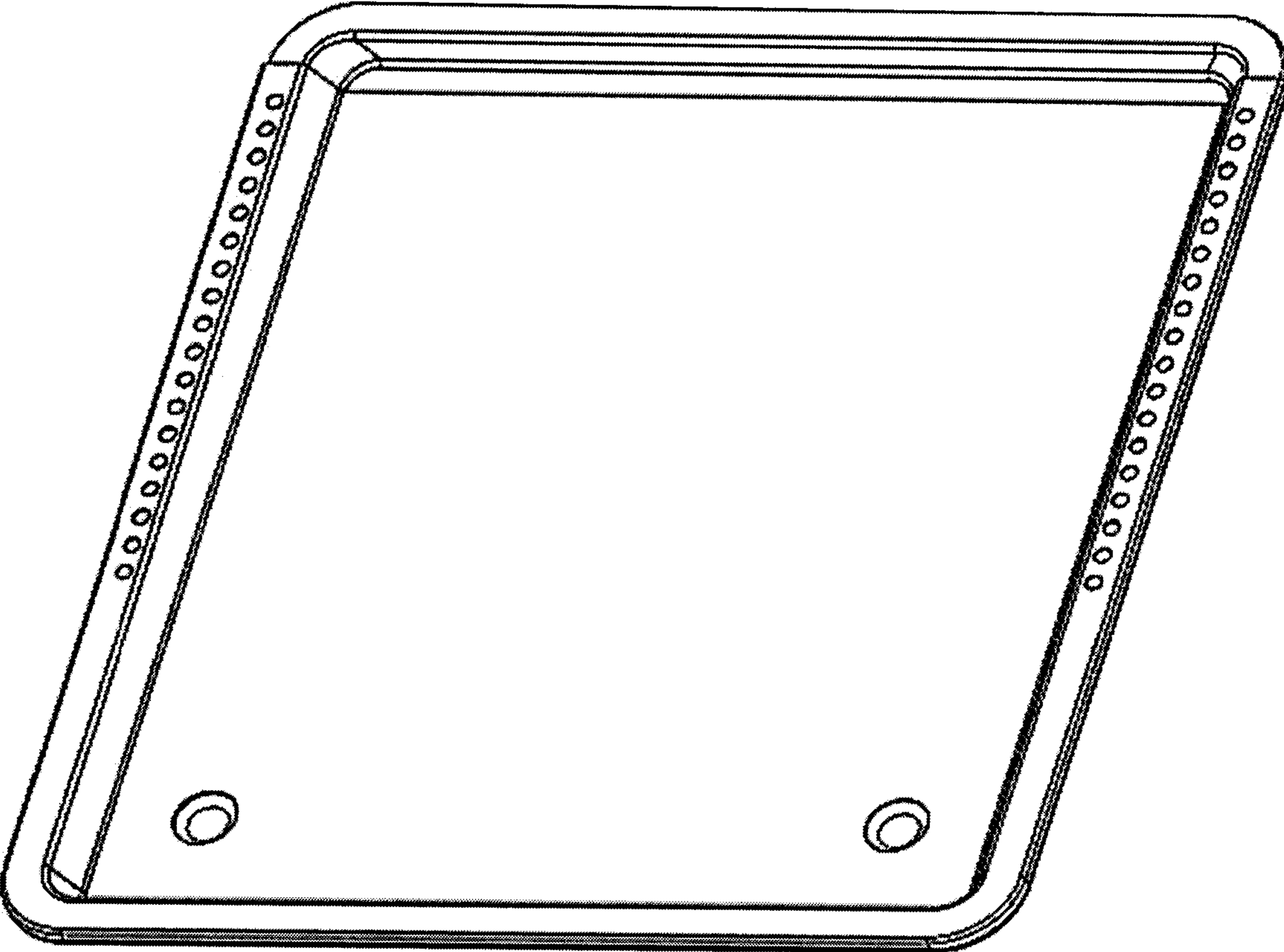


FIG. 1

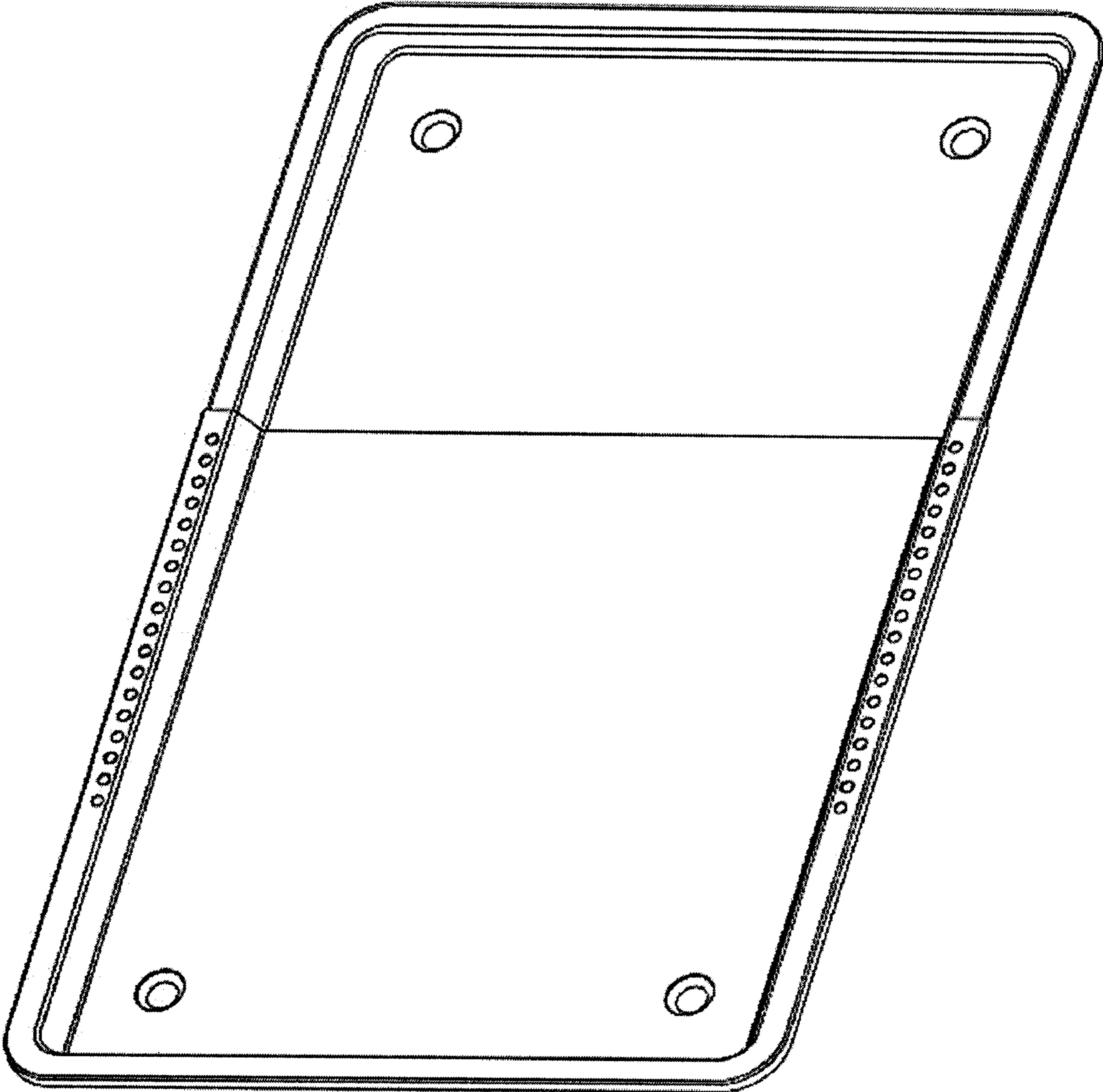


FIG. 2

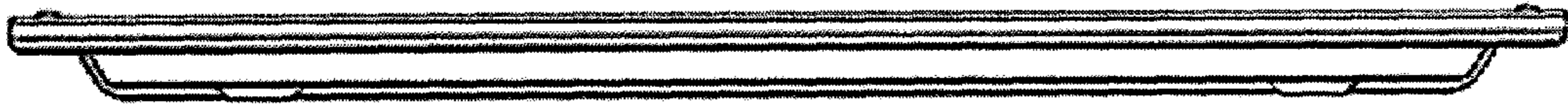


FIG. 3

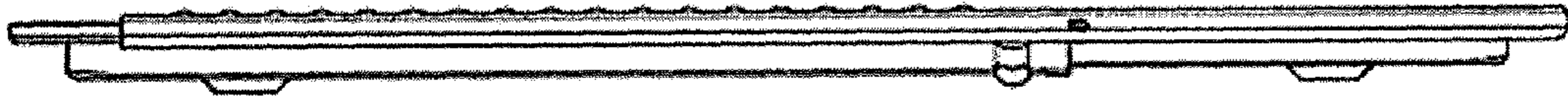


FIG. 4

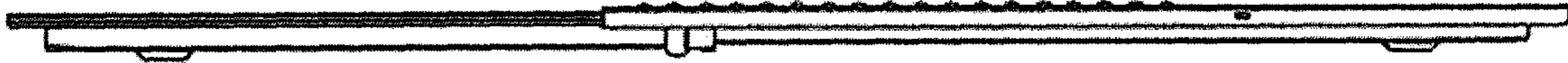


FIG. 5

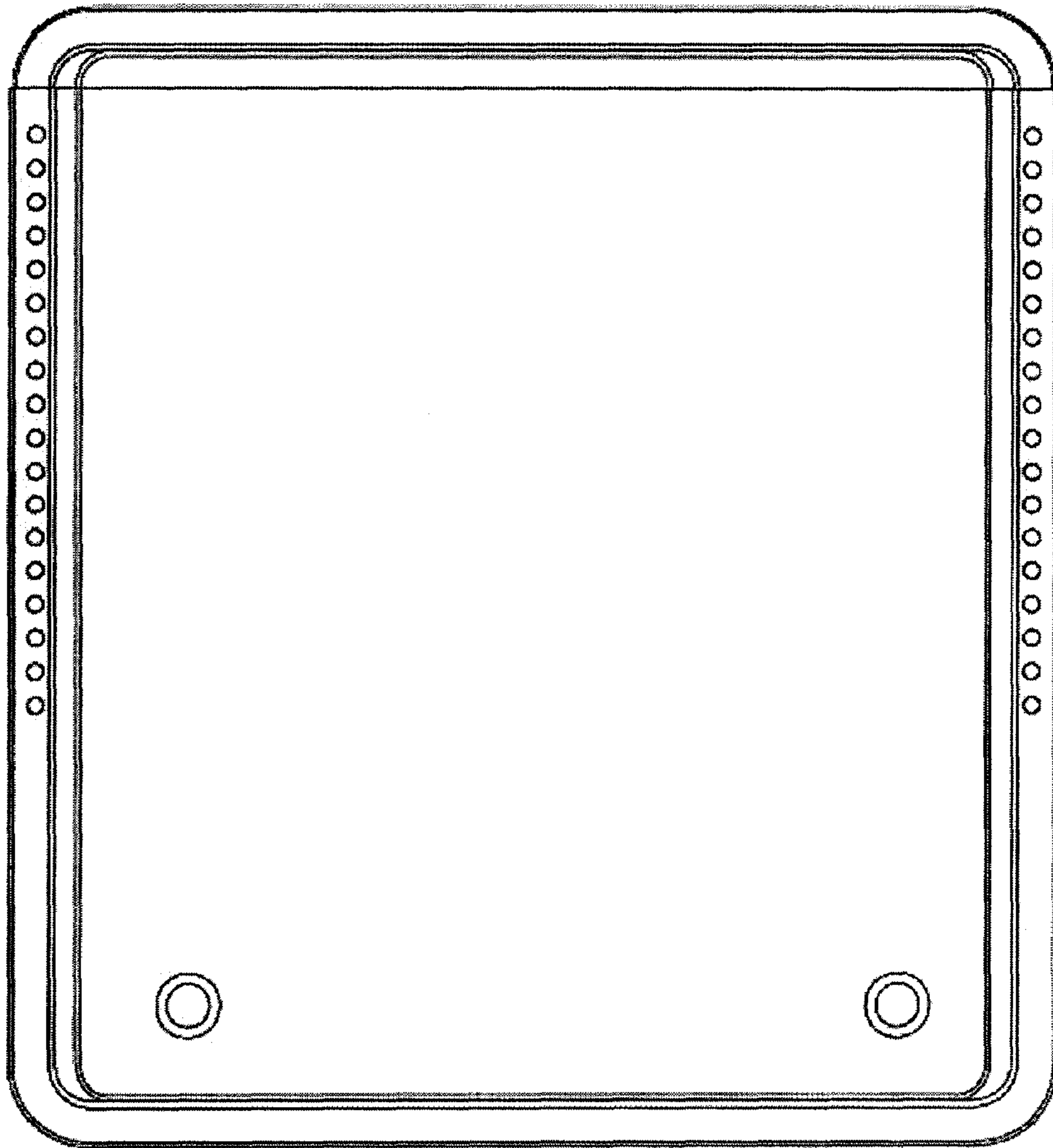


FIG. 6

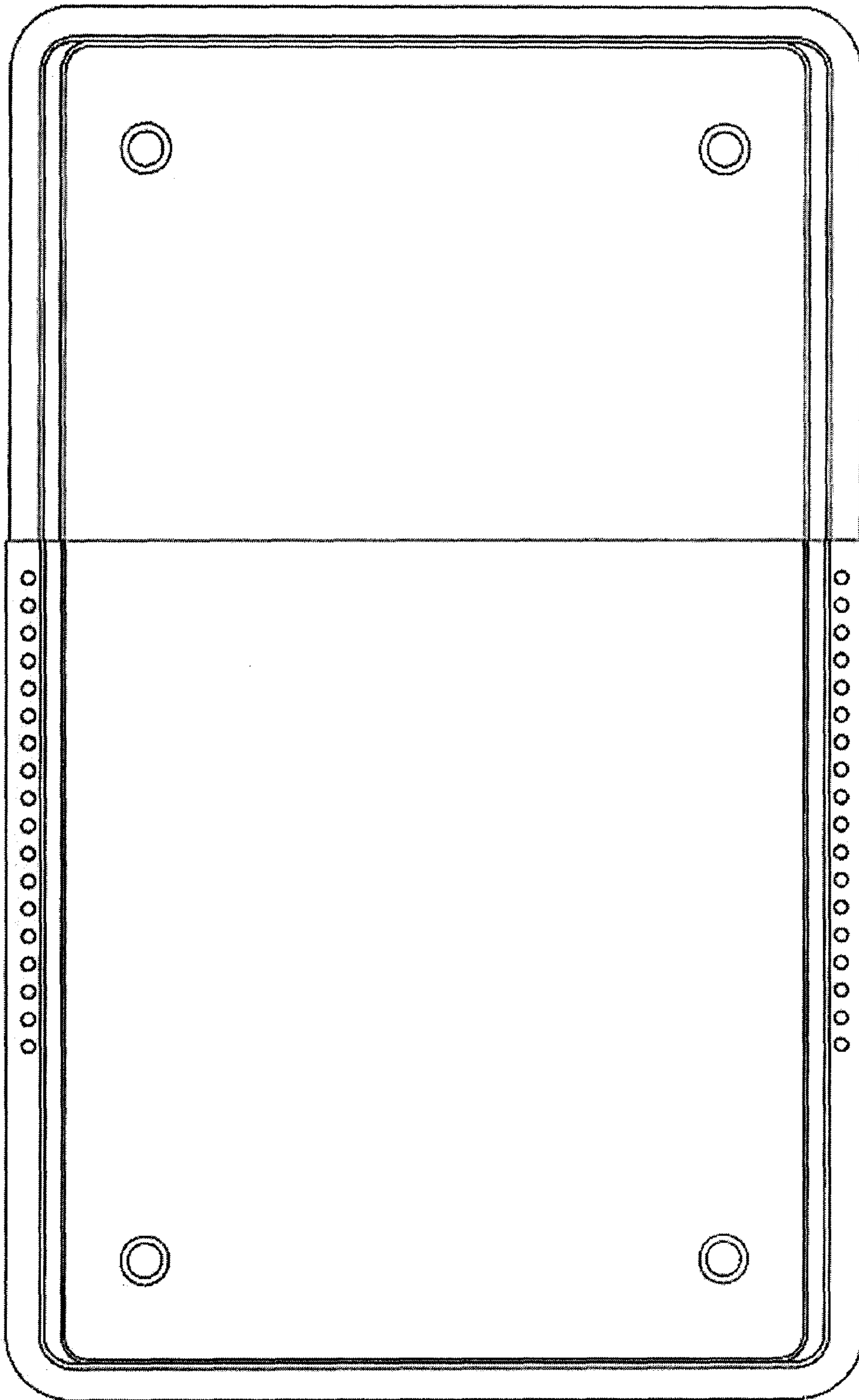


FIG. 7



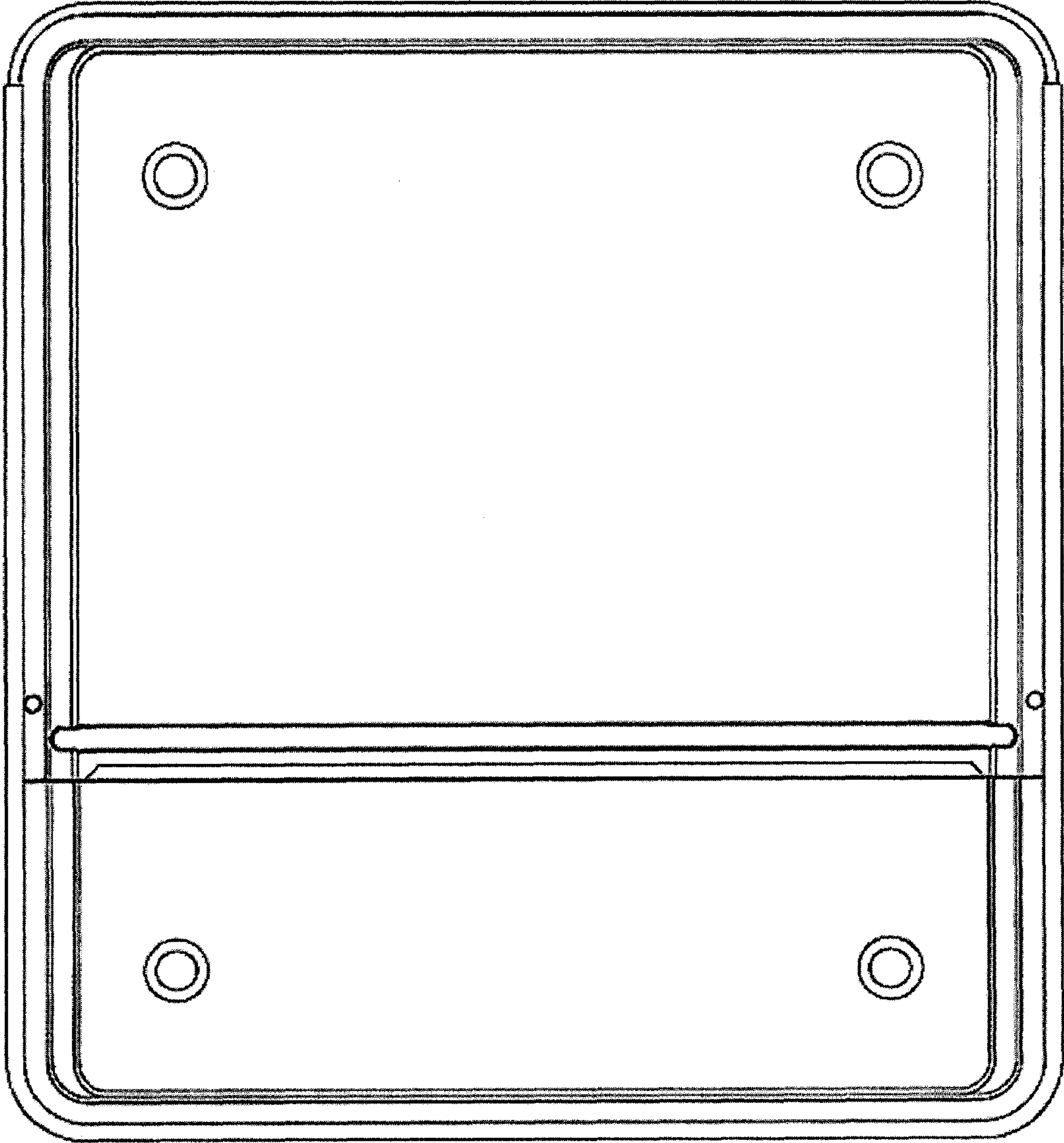


FIG. 8

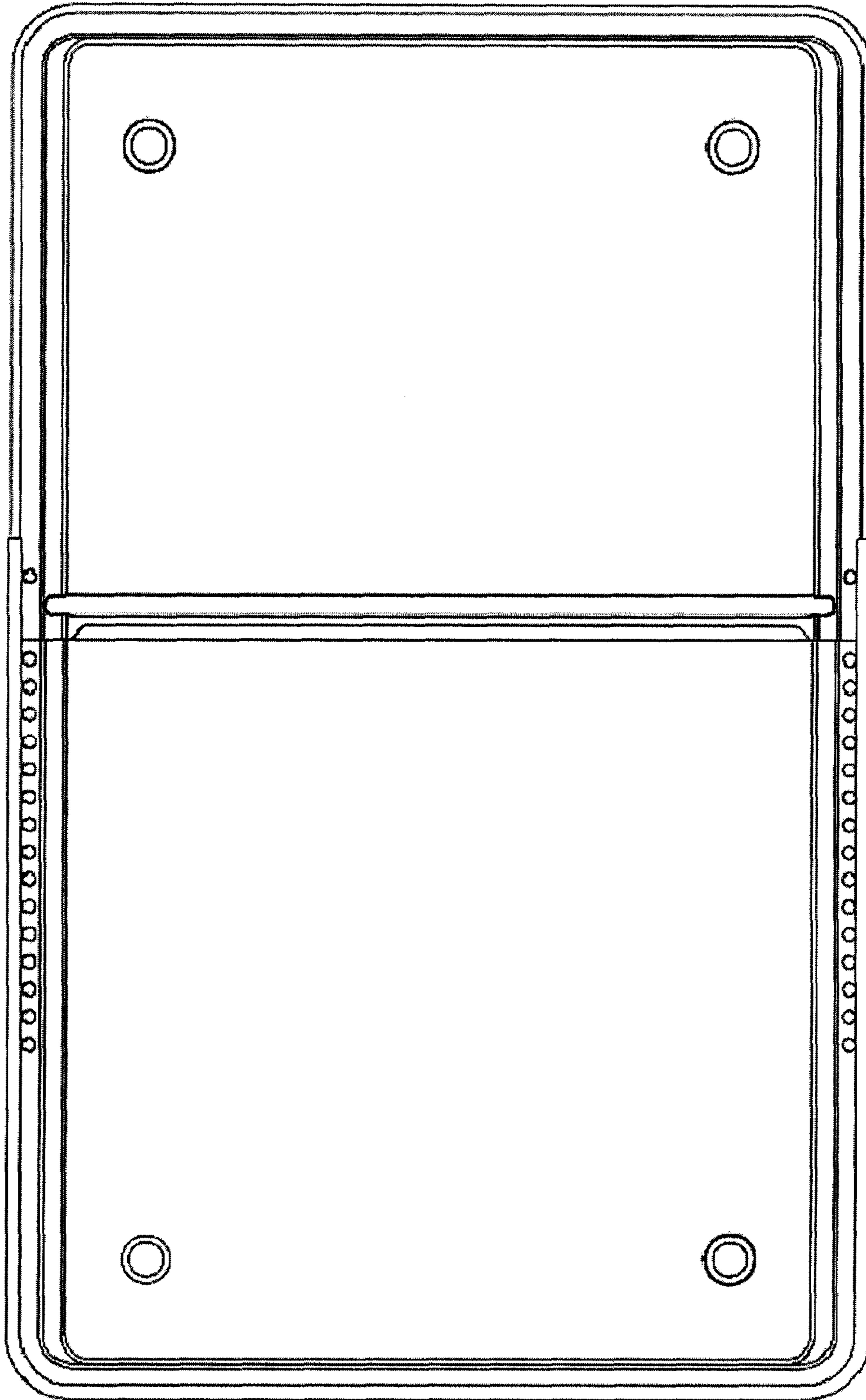


FIG. 9

UNITED STATES PATENT AND TRADEMARK OFFICE  
**CERTIFICATE OF CORRECTION**

PATENT NO. : Des. 564,827 S  
APPLICATION NO. : 29/248178  
DATED : March 25, 2008  
INVENTOR(S) : Dick-Chau Ha

Page 1 of 1

It is certified that error appears in the above-identified patent and that said Letters Patent is hereby corrected as shown below:

ON THE TITLE PAGE ITEM (73) SHOULD READ:

--Assignee: Tiffany Materials, Limited, Kowloon (HK)--

Signed and Sealed this

Twenty-first Day of October, 2008

A handwritten signature in black ink that reads "Jon W. Dudas". The signature is written in a cursive style with a large, looped initial "J".

JON W. DUDAS

*Director of the United States Patent and Trademark Office*