

US00D564826S

(12) **United States Design Patent**
Chin

(10) **Patent No.:** **US D564,826 S**

(45) **Date of Patent:** **** Mar. 25, 2008**

(54) **FRYING AND ROASTING DEVICE**

(75) Inventor: **Chao Ling Chin**, Dadu Shiang (TW)

(73) Assignee: **Tsann Kuen (China) Enterprise Co., Ltd.**, Xiamen, Fujian (CN)

(**) Term: **14 Years**

(21) Appl. No.: **29/263,310**

(22) Filed: **Jul. 20, 2006**

(30) **Foreign Application Priority Data**

Jan. 21, 2006 (CN) 2006 3 0090720

(51) **LOC (8) Cl.** **07-02**

(52) **U.S. Cl.** **D7/352**

(58) **Field of Classification Search** D7/323,
D7/328-332, 334-339, 352-363; 99/219,
99/331, 339-340, 349, 369, 372-375, 385,
99/386, 389, 425, 444, 446, 466, 601, 618,
99/620; 219/524, 525, 620-622, 732-734;
D21/525

See application file for complete search history.

(56) **References Cited**

U.S. PATENT DOCUMENTS

D234,286 S *	2/1975	Manley	D7/337
D278,505 S *	4/1985	Mackin	D7/337
5,676,046 A *	10/1997	Taber et al.	99/340
D412,808 S *	8/1999	Hinton et al.	D7/362
D416,167 S *	11/1999	Barker	D7/363
D436,796 S *	1/2001	Kalina et al.	D7/363

D437,183 S *	2/2001	Wong et al.	D7/362
D458,078 S *	6/2002	Lin	D7/362
D509,703 S *	9/2005	Barker	D7/352
D514,876 S *	2/2006	Simond	D7/363
2005/0139086 A1 *	6/2005	McHutchison	99/389

* cited by examiner

Primary Examiner—Gary D. Watson

Assistant Examiner—Ricky Pham

(74) *Attorney, Agent, or Firm*—Greer, Burns & Crain, Ltd.

(57) **CLAIM**

The ornamental design for a frying and roasting device, as shown and described.

DESCRIPTION

FIG. 1 is a top plan view of a frying and roasting device showing my new design;

FIG. 2 is a rear elevational view thereof;

FIG. 3 is a front elevational view thereof;

FIG. 4 is a left side elevational view thereof;

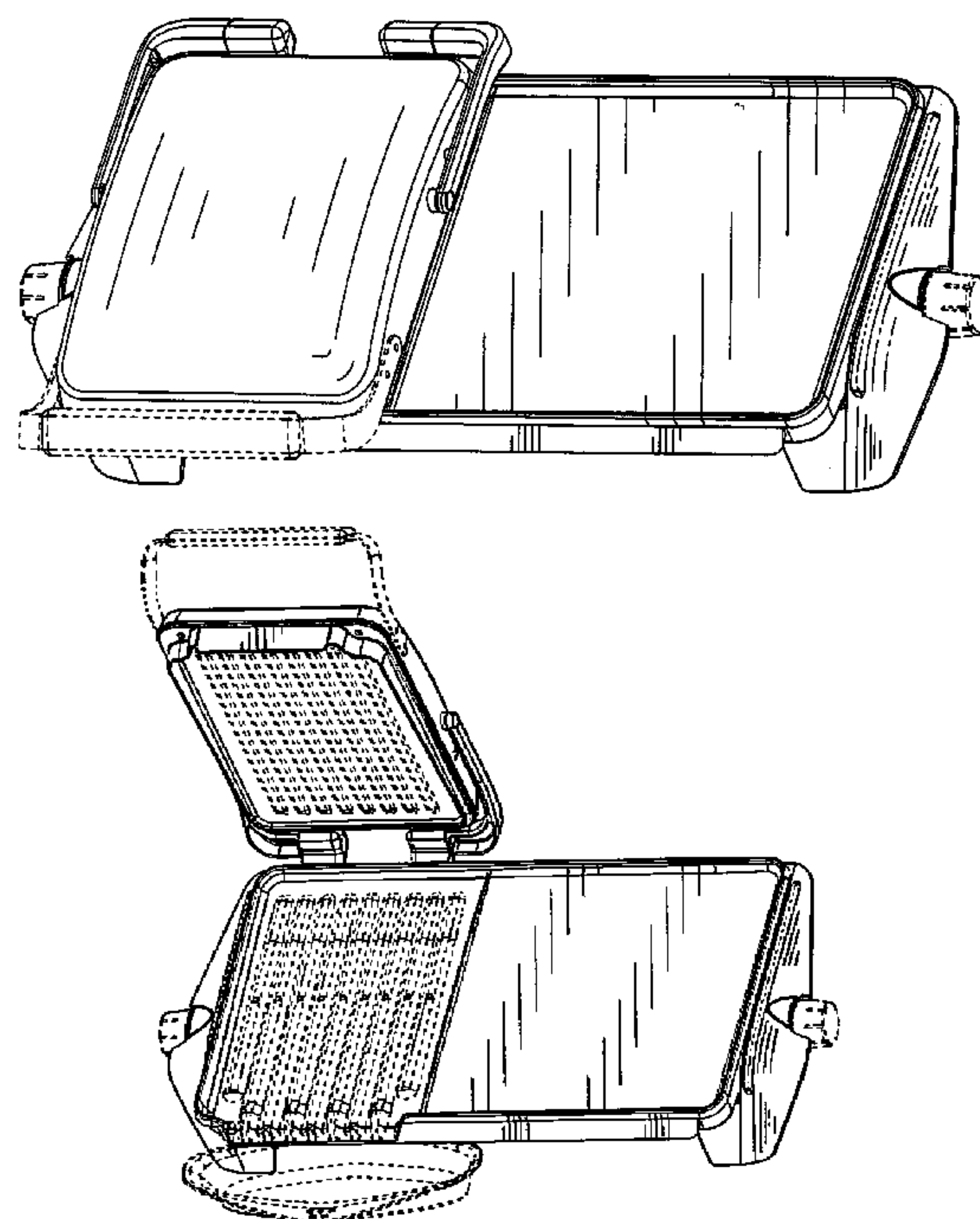
FIG. 5 is a right side elevational view thereof;

FIG. 6 is a top perspective view thereof; and,

FIG. 7 is a top perspective view thereof; shown in an open position.

The broken lines shown in the drawings are for illustrating portions of the frying and roasting device that form no part of the claimed design.

1 Claim, 5 Drawing Sheets



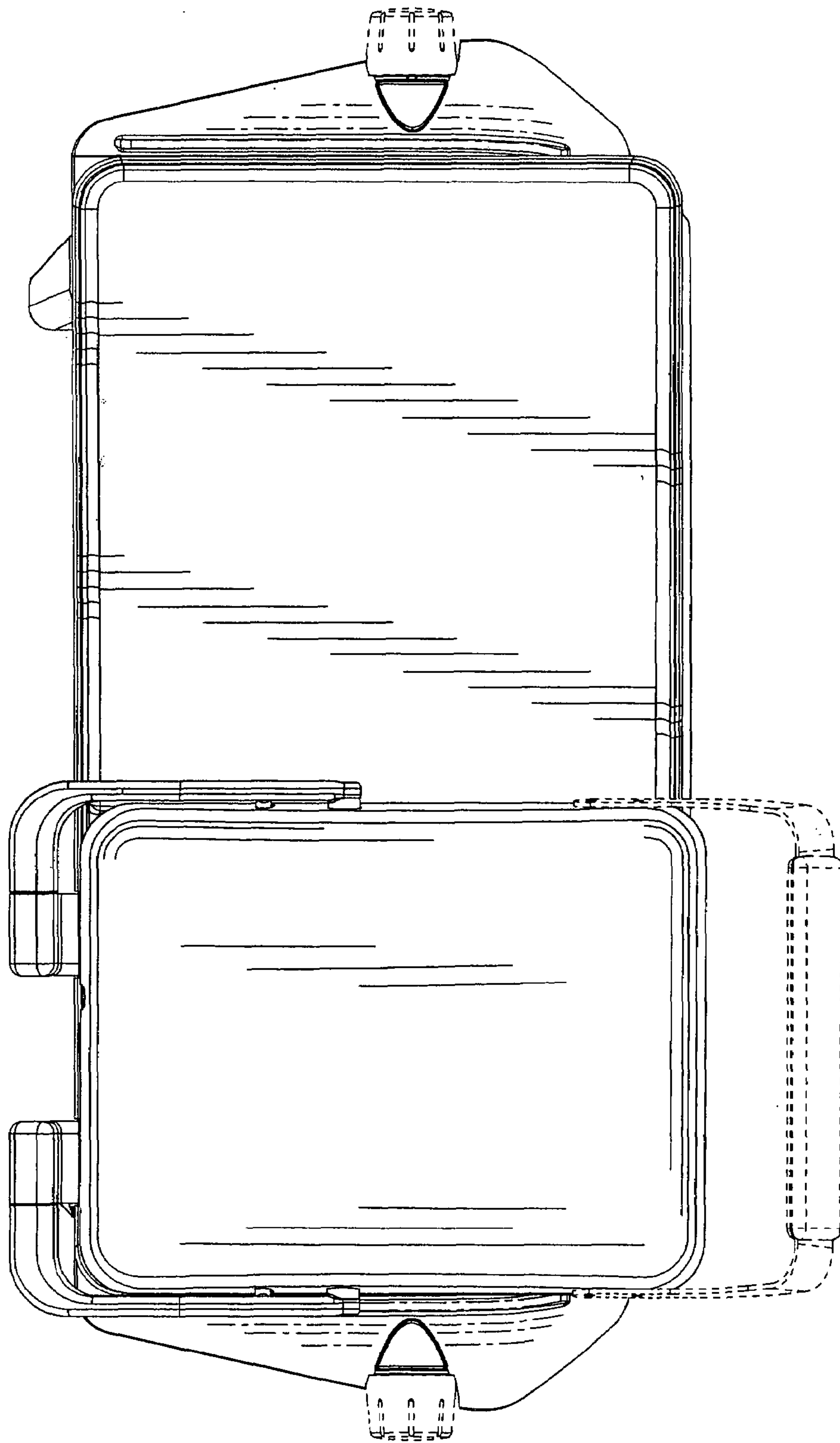


fig. 1

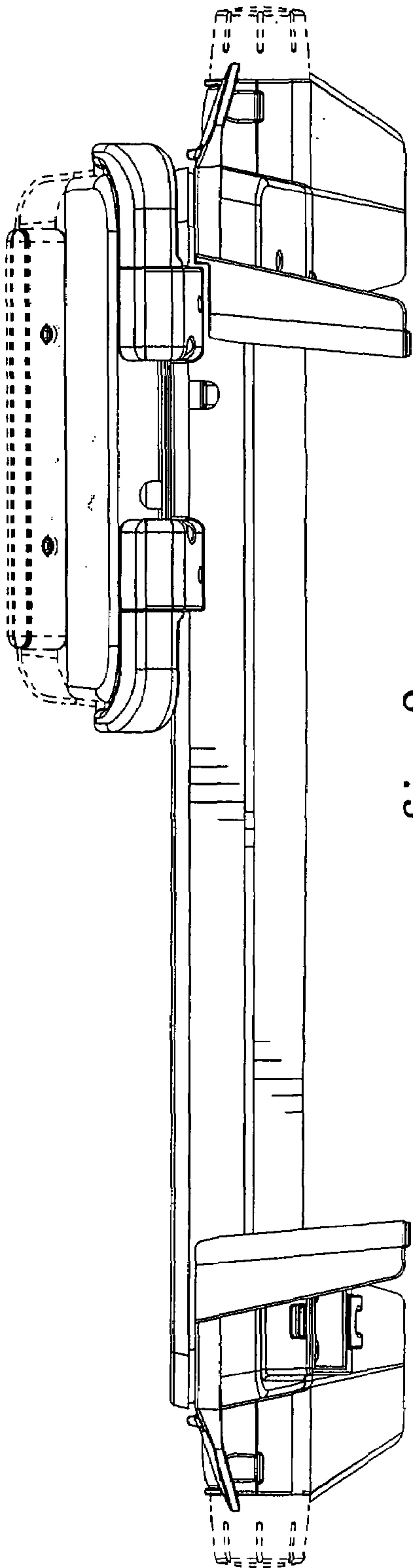


fig. 2

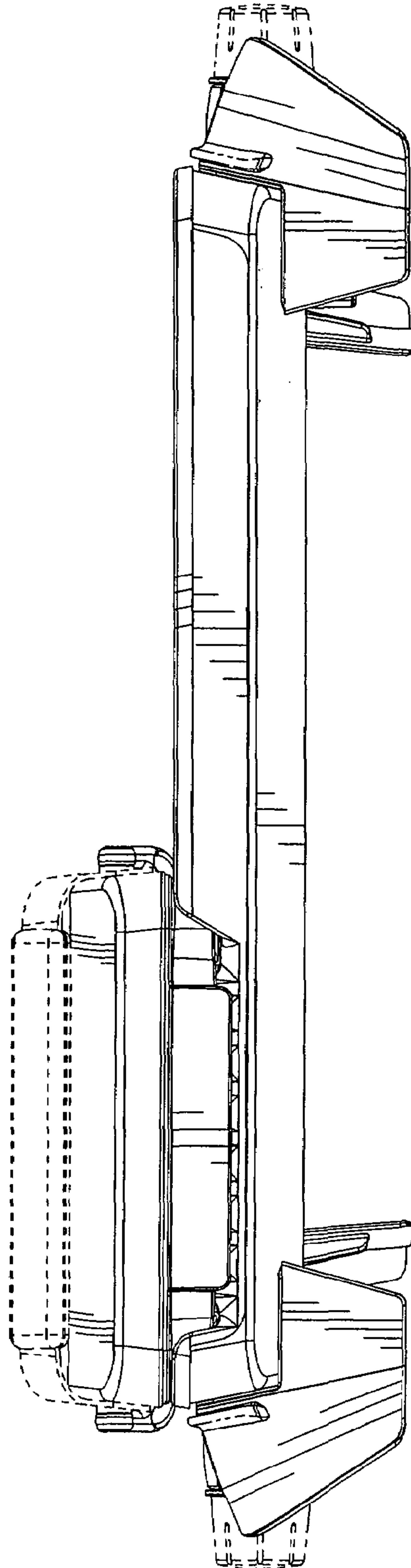


fig. 3

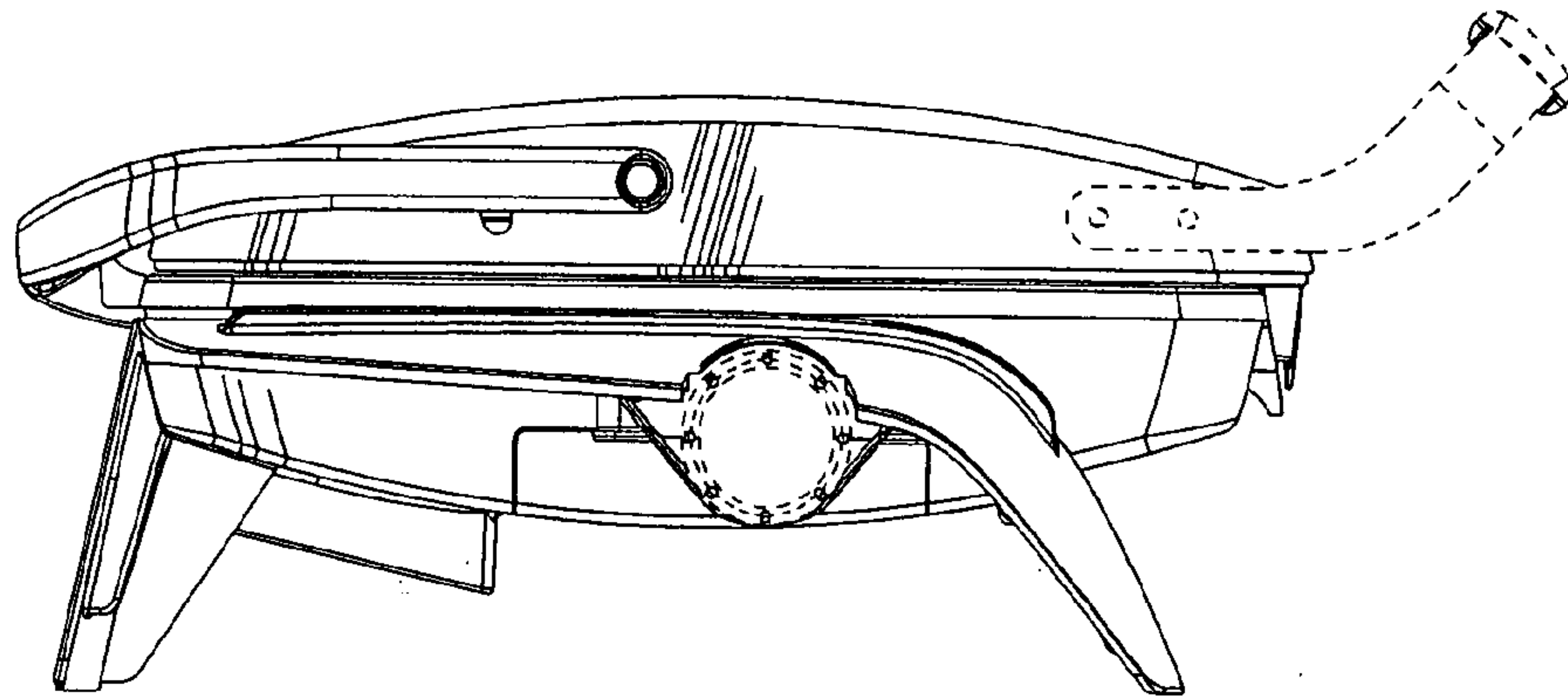


fig. 4

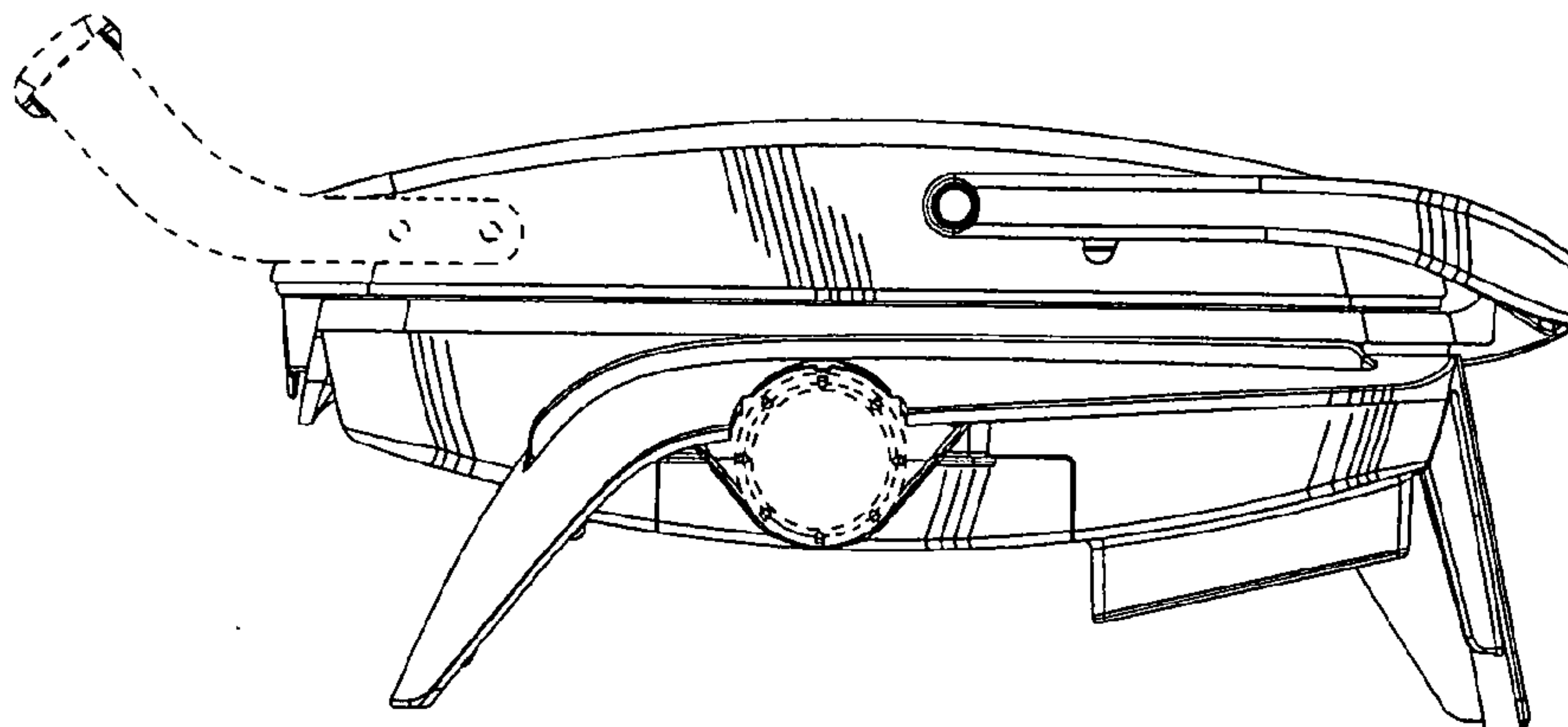


fig. 5

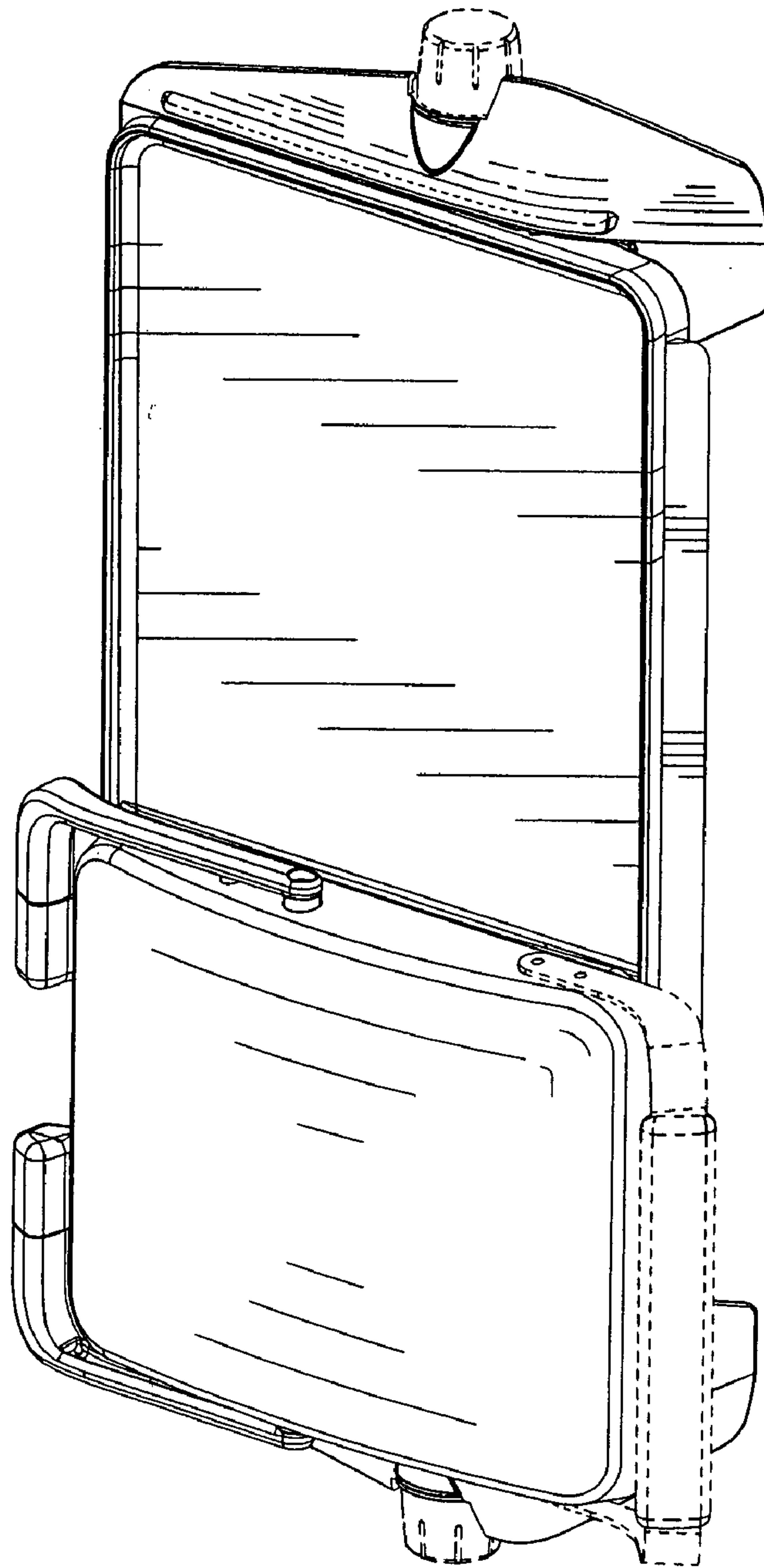


fig. 6

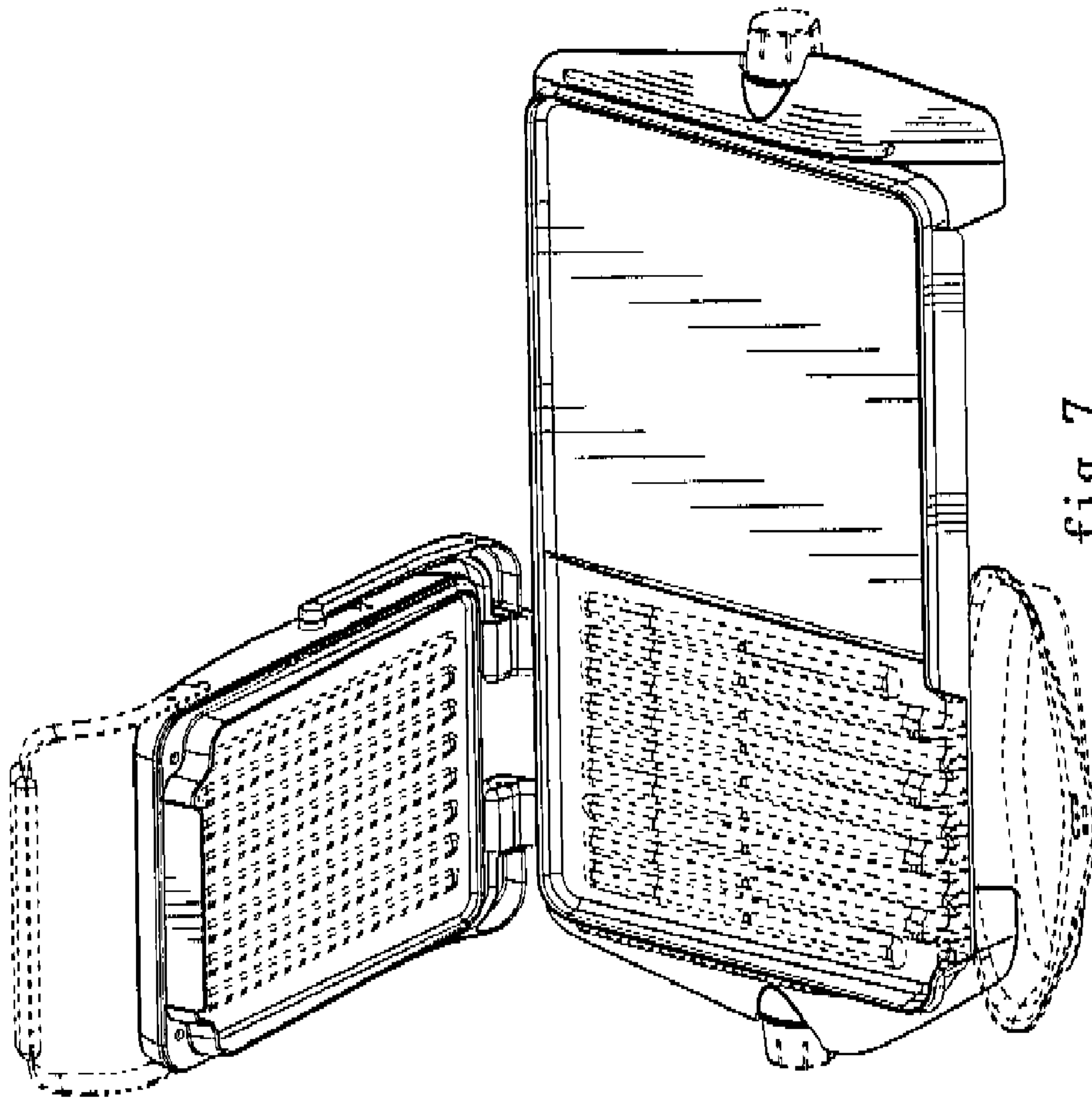


fig. 7