

US00D564824S

(12) **United States Design Patent**
Henry

(10) **Patent No.:** **US D564,824 S**
(45) **Date of Patent:** **** Mar. 25, 2008**

(54) **GOLF BALL THEMED BARBECUE GRILL**

(75) Inventor: **Lowell M. Henry**, Redondo Beach, CA (US)

(73) Assignee: **AJML Company, LLC**, Redondo Beach, CA (US)

(**) Term: **14 Years**

(21) Appl. No.: **29/261,352**

(22) Filed: **Jun. 13, 2006**

(51) **LOC (8) Cl.** **07-02**

(52) **U.S. Cl.** **D7/334**

(58) **Field of Classification Search** D7/332,
D7/334-337, 402-404; D21/707, 713-714;
473/598; 446/153; 126/25 R, 25 A, 25 AA,
126/37 R, 38, 41 R, 40, 39 B, 268, 276,
126/9 R; 99/449, 481, 482

See application file for complete search history.

(56) **References Cited**

U.S. PATENT DOCUMENTS

- D268,008 S * 2/1983 Witt, Jr. D9/668
- D358,324 S * 5/1995 Mitchell D9/668
- D432,862 S * 10/2000 Cragg D7/402

- D440,461 S 4/2001 Mak
- D443,793 S 6/2001 Ethridge
- D465,692 S 11/2002 Favela
- D465,695 S 11/2002 Favela
- D465,961 S 11/2002 Favela

* cited by examiner

Primary Examiner—Ruth McInroy

(74) *Attorney, Agent, or Firm*—Gallagher & Dawsey Co., LPA; David J. Dawsey; Michael J. Gallagher

(57) **CLAIM**

I claim the ornamental design for a golf ball themed barbecue grill, as shown and described.

DESCRIPTION

FIG. 1 is a left side isometric view of a golf ball themed barbecue grill showing my new design;

FIG. 2 is a front elevation view thereof;

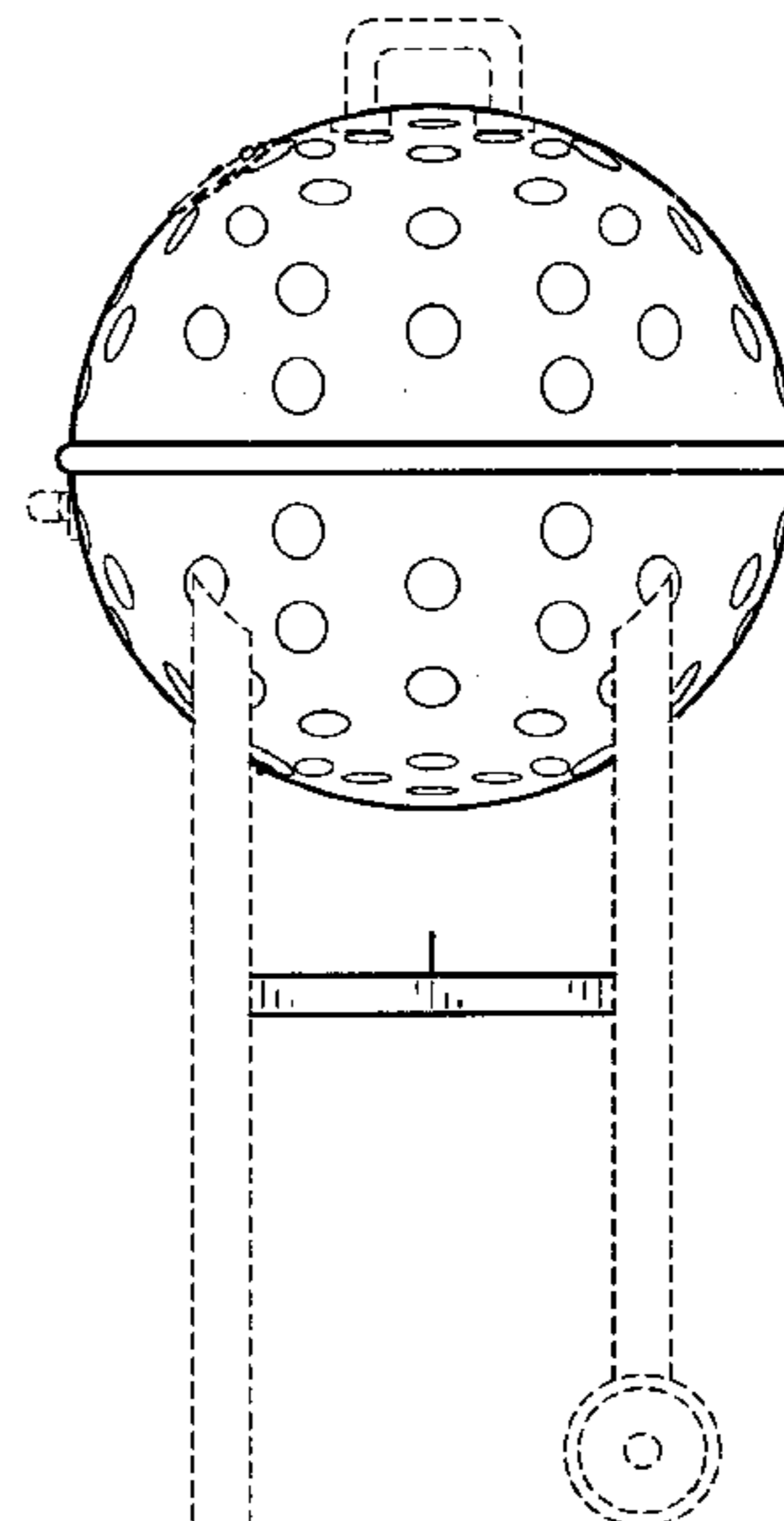
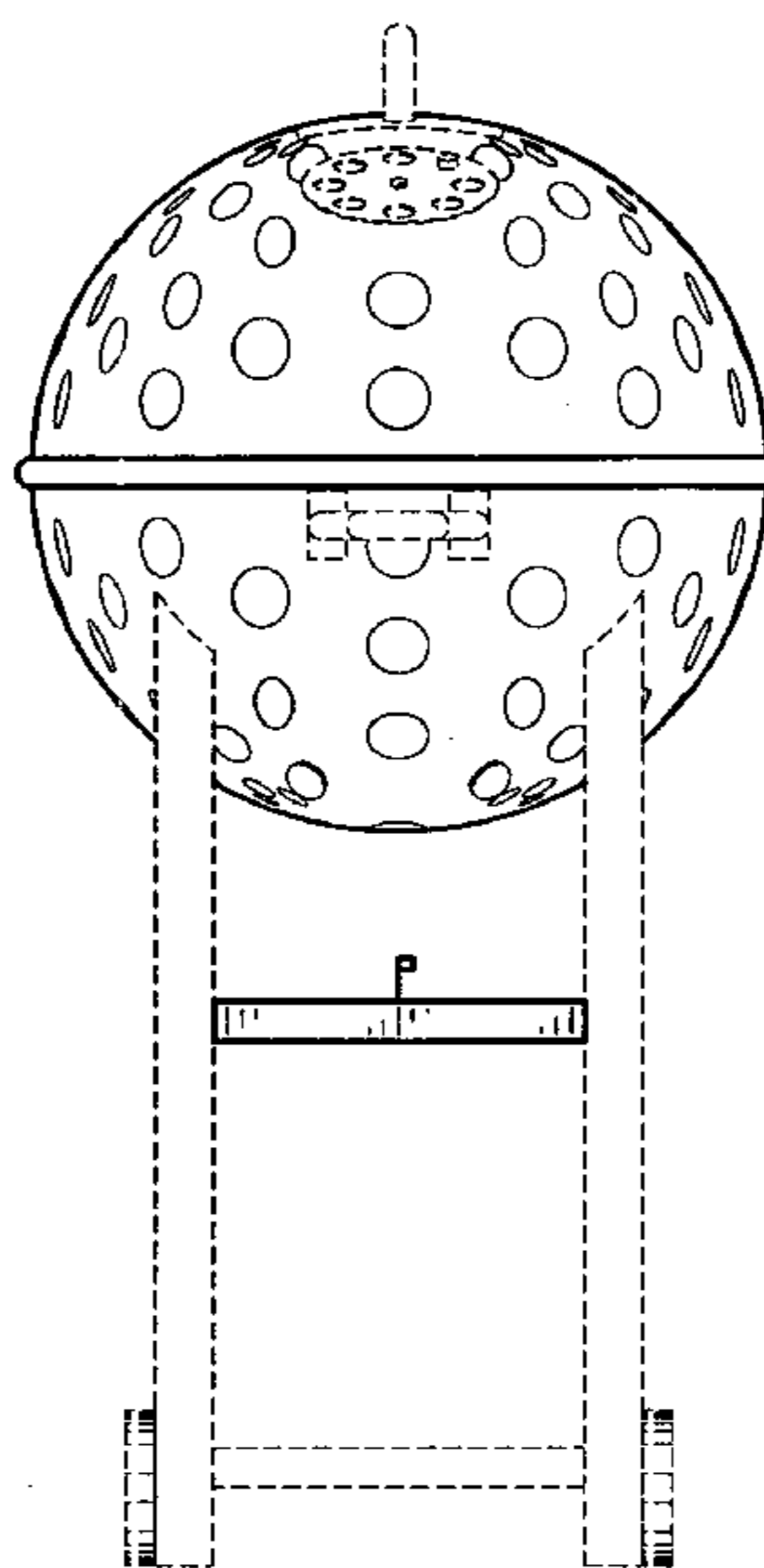
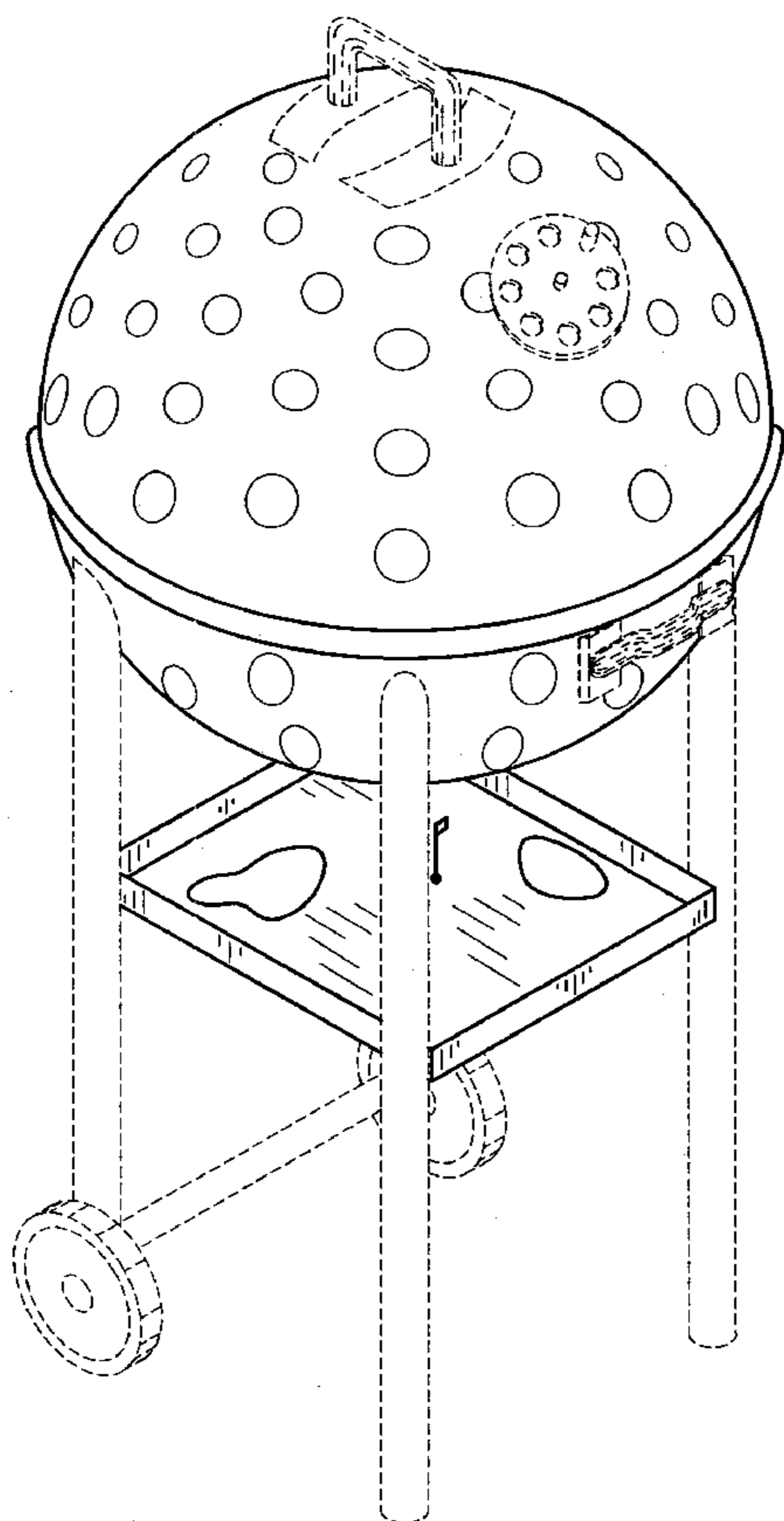
FIG. 3 is a right side elevation view thereof;

FIG. 4 is a top plan view thereof; and,

FIG. 5 is a bottom plan view thereof.

The broken lines are for illustrative purposes only and form no part of the claimed design.

1 Claim, 3 Drawing Sheets



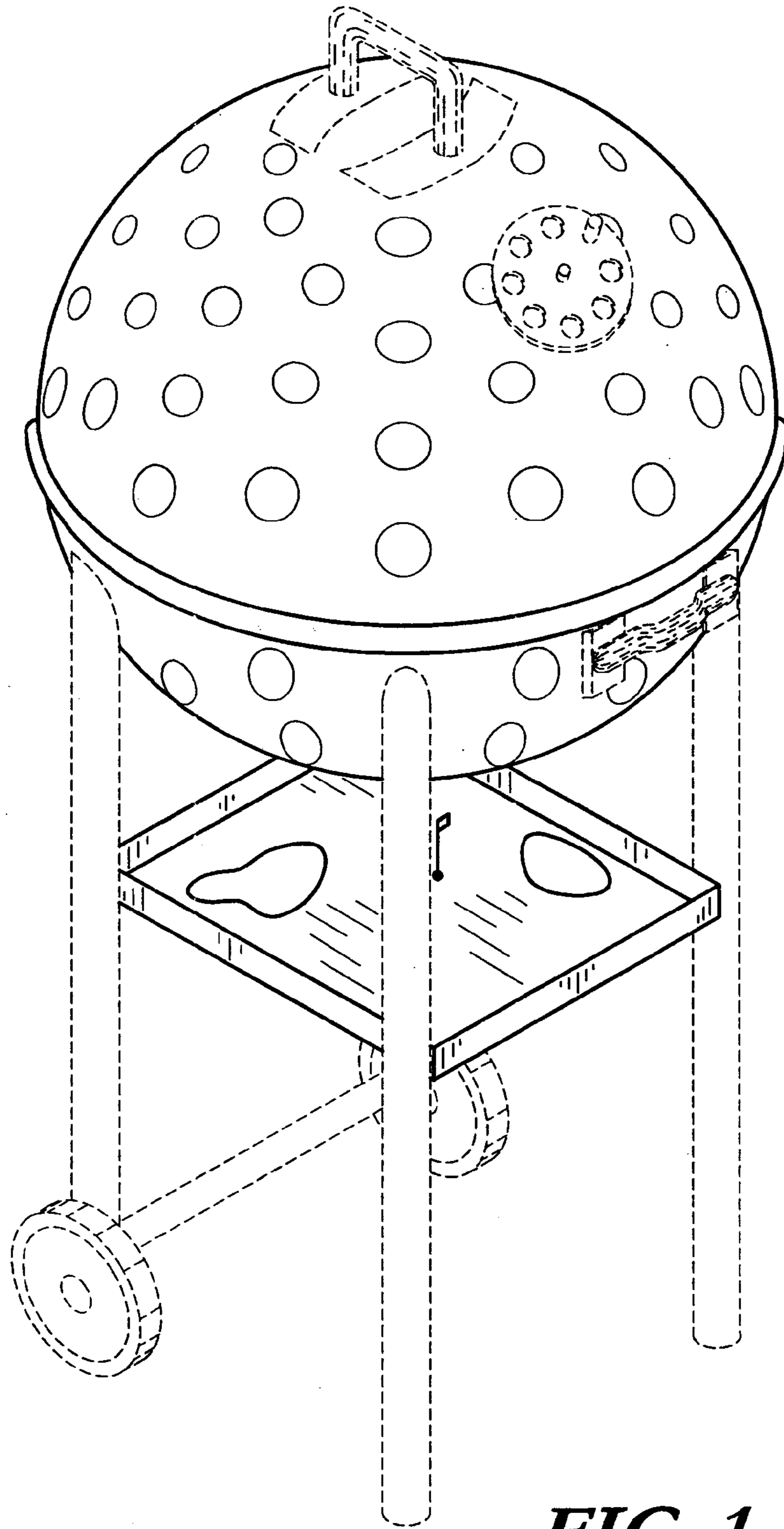


FIG. 1

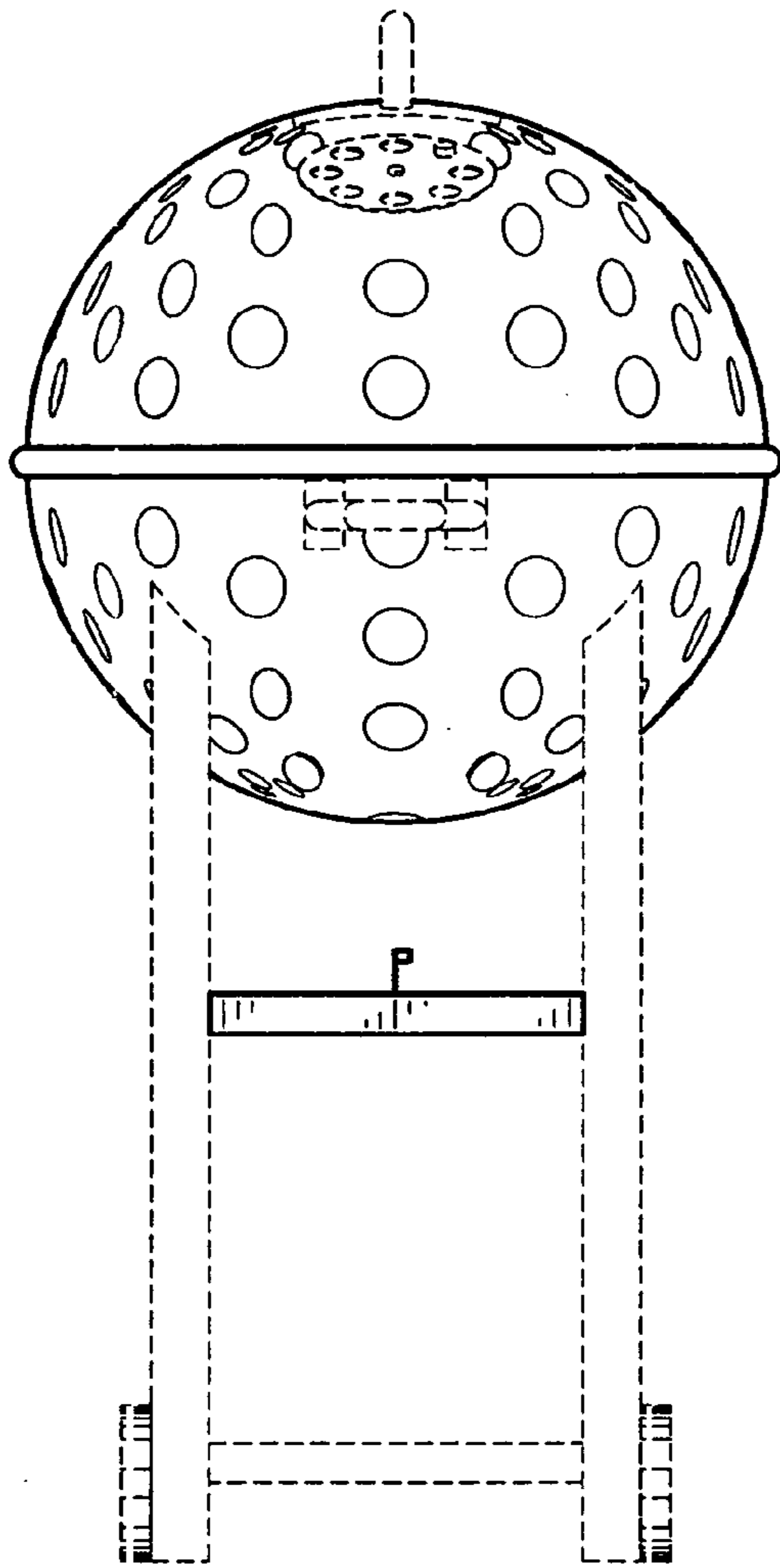


FIG. 2

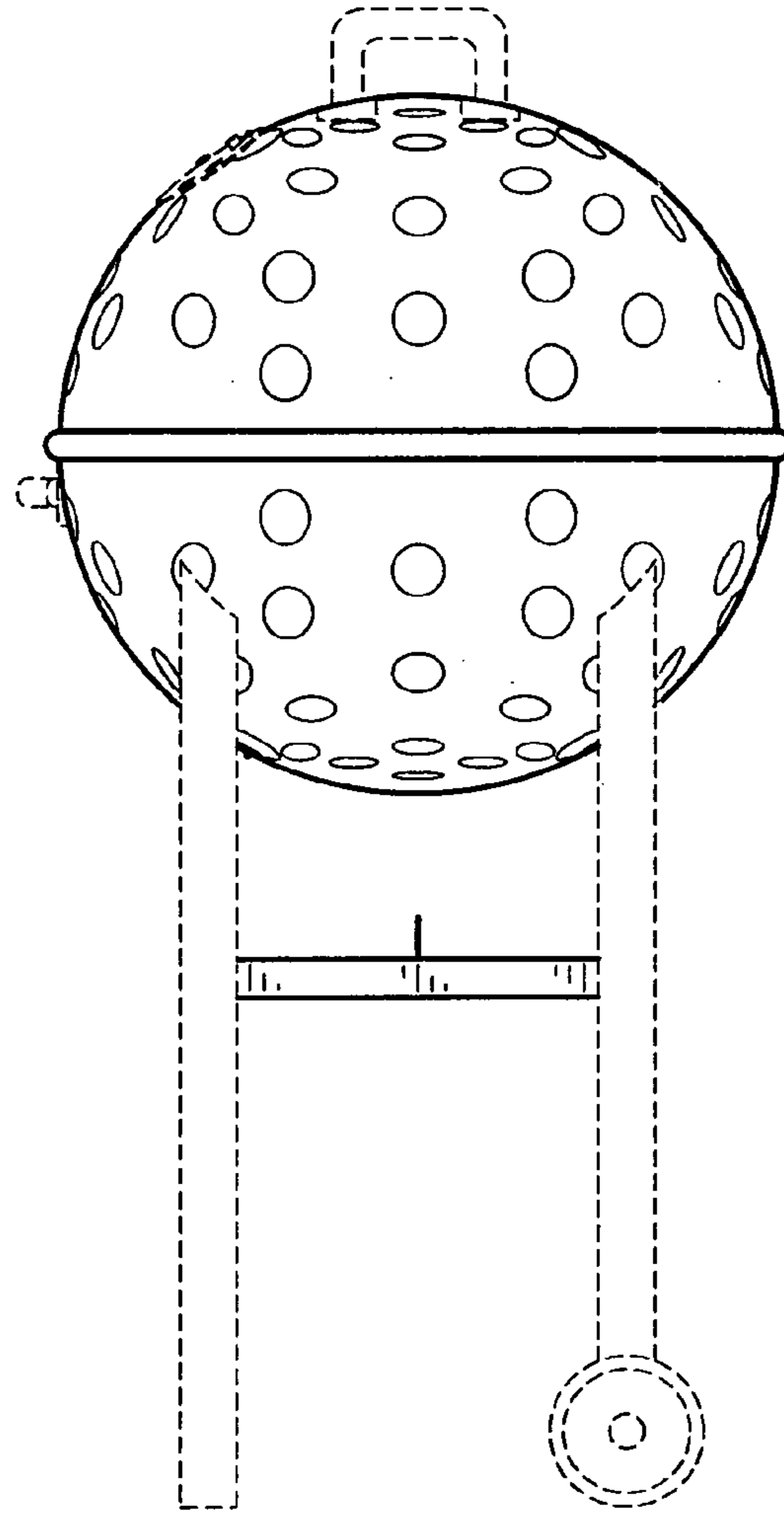


FIG. 3

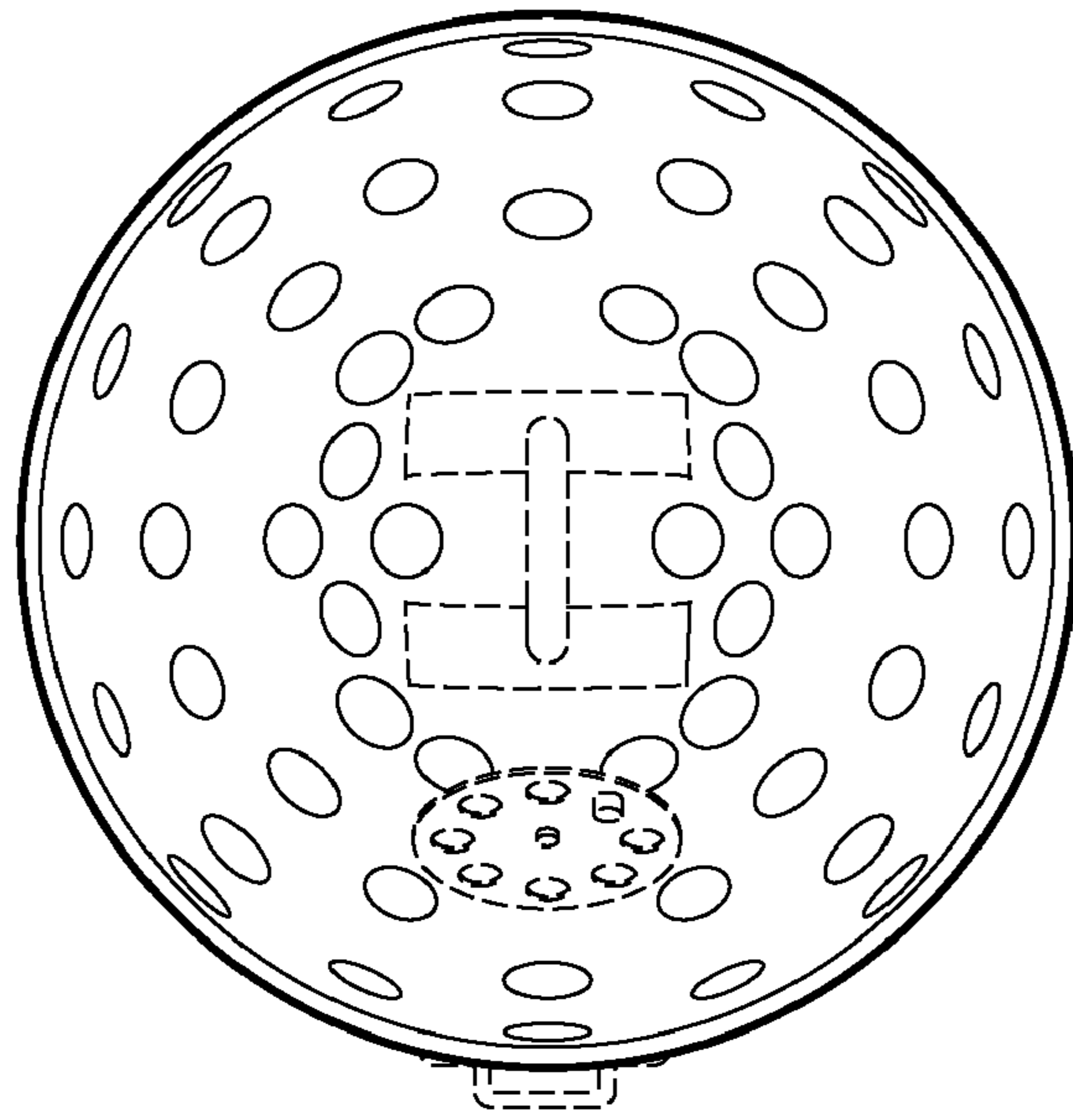


FIG. 4

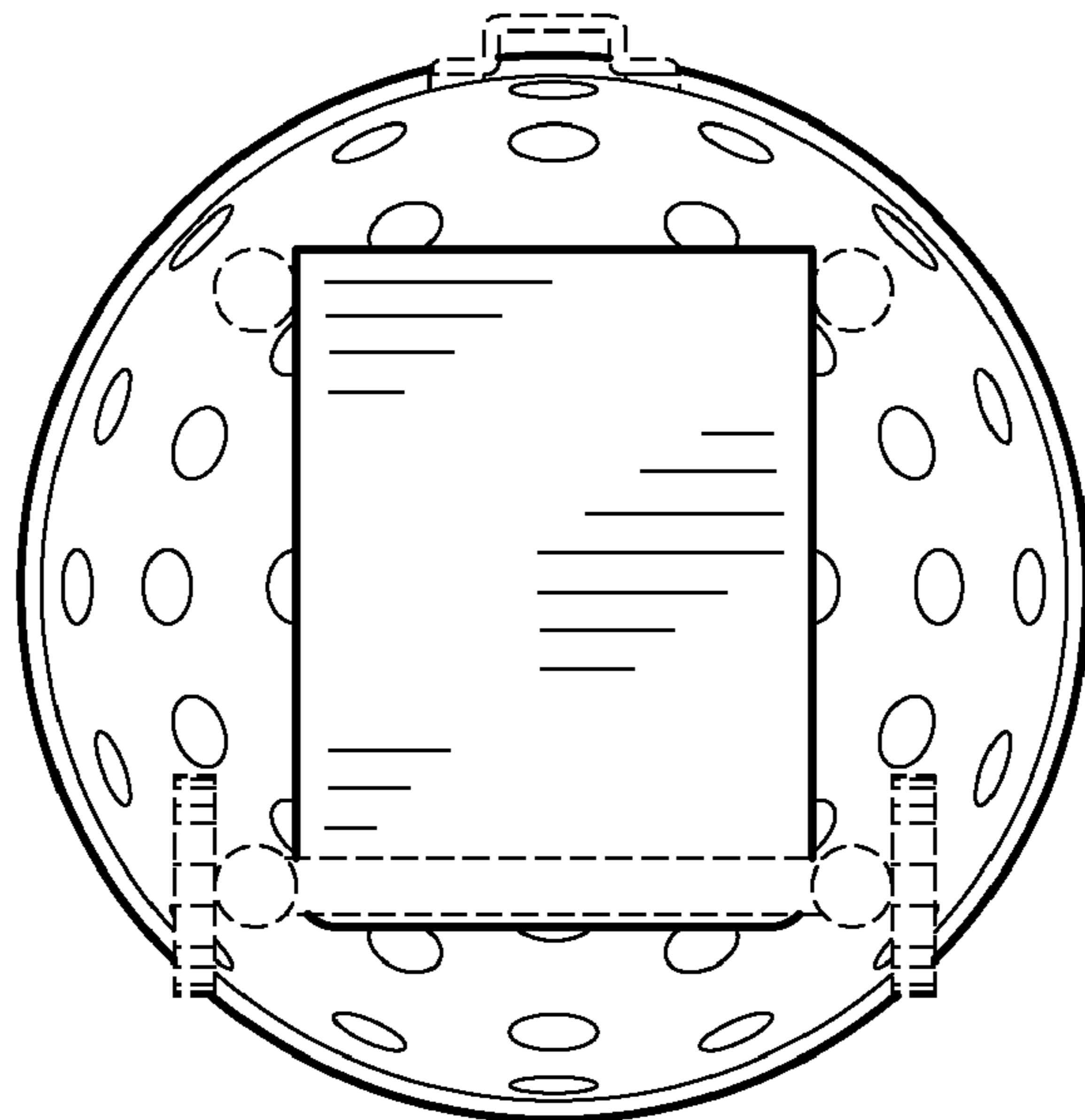


FIG. 5