



US00D564820S

(12) **United States Design Patent**
Loew

(10) **Patent No.:** **US D564,820 S**
(45) **Date of Patent:** **** Mar. 25, 2008**

(54) **LOCKING WALLPAPER BORDER BASKET DISPLAY**

D468,102 S * 1/2003 Taylor et al. D3/304
6,578,720 B1 * 6/2003 Wang 211/126.15

(75) Inventor: **Jonathon A. Loew**, East Meadow, NY (US)

* cited by examiner

(73) Assignee: **Design Display Group, Inc.**, Carlstadt, NJ (US)

Primary Examiner—Cathron Brooks
Assistant Examiner—Angela J Lee

(74) *Attorney, Agent, or Firm*—Wolf Block Schorr & Solis-Cohen LLP

(**) Term: **14 Years**

(57) **CLAIM**

(21) Appl. No.: **29/221,977**

I claim the ornamental design for a locking wallpaper border basket display, as shown and described.

(22) Filed: **Jan. 25, 2005**

DESCRIPTION

(51) **LOC (8) Cl.** **06-04**

(52) **U.S. Cl.** **D6/574**

(58) **Field of Classification Search** D6/396-7,
D6/408, 429, 432, 436, 449, 454, 458, 462,
D6/470, 475, 512-3, 553, 559-60, 566-567,
D6/573, 574; D3/304; D7/601, 701; 108/28;
211/41.11, 45, 74, 81, 85.29, 88.01, 90.01,
211/90.03, 113, 119.003, 126.15, 134, 181.1;
312/117-8, 122-3, 323, 126-7, 138.1, 234.1

See application file for complete search history.

FIG. 1 illustrates a perspective view of a locking wallpaper border basket of the invention;

FIG. 2 illustrates a front view of a locking wallpaper border basket of the invention;

FIG. 3 illustrates a lateral view of a locking wallpaper border basket of the invention;

FIG. 4 illustrates a rear view of a locking wallpaper border basket of the invention;

FIG. 5 illustrates a top view of a locking wallpaper border basket of the invention; and,

FIG. 6 illustrates a perspective view of a locking wallpaper border basket of the invention.

In FIG. 6, the shelf is shown as broken away because no particular width is claimed. The portions of the locking wallpaper basket display shown in broken line form no part of the claimed design.

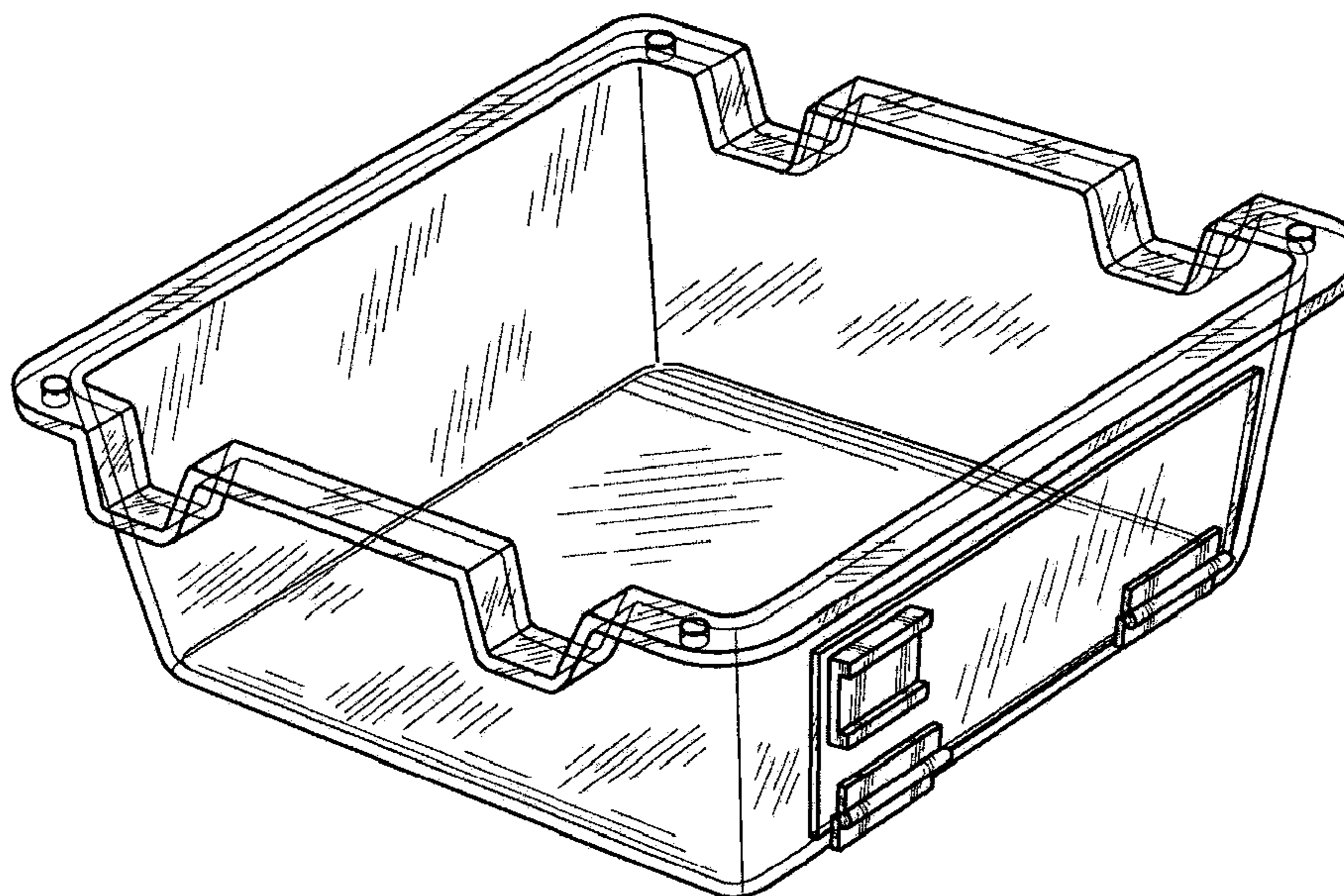
The nuts, bolts and four corresponding holes in the shelf, as shown in FIG. 6, are not part of the claimed design, but are shown in solid line because of their small scale.

(56) **References Cited**

U.S. PATENT DOCUMENTS

3,082,880	A *	3/1963	Mapson	108/32
3,220,625	A *	11/1965	Protheroe	217/7
3,355,134	A *	11/1967	Chesley	248/250
3,491,681	A *	1/1970	Saro, Jr. et al.	100/34
4,322,006	A *	3/1982	Marschak	211/88.01
D270,678	S *	9/1983	Stein	D3/304
4,597,616	A *	7/1986	Trubiano	312/246
5,318,187	A *	6/1994	Rosenthal	211/88.01
5,664,690	A *	9/1997	Friesen	211/88.01
6,138,584	A *	10/2000	Waite	108/108
D459,123	S *	6/2002	Meigs	D6/513

1 Claim, 4 Drawing Sheets



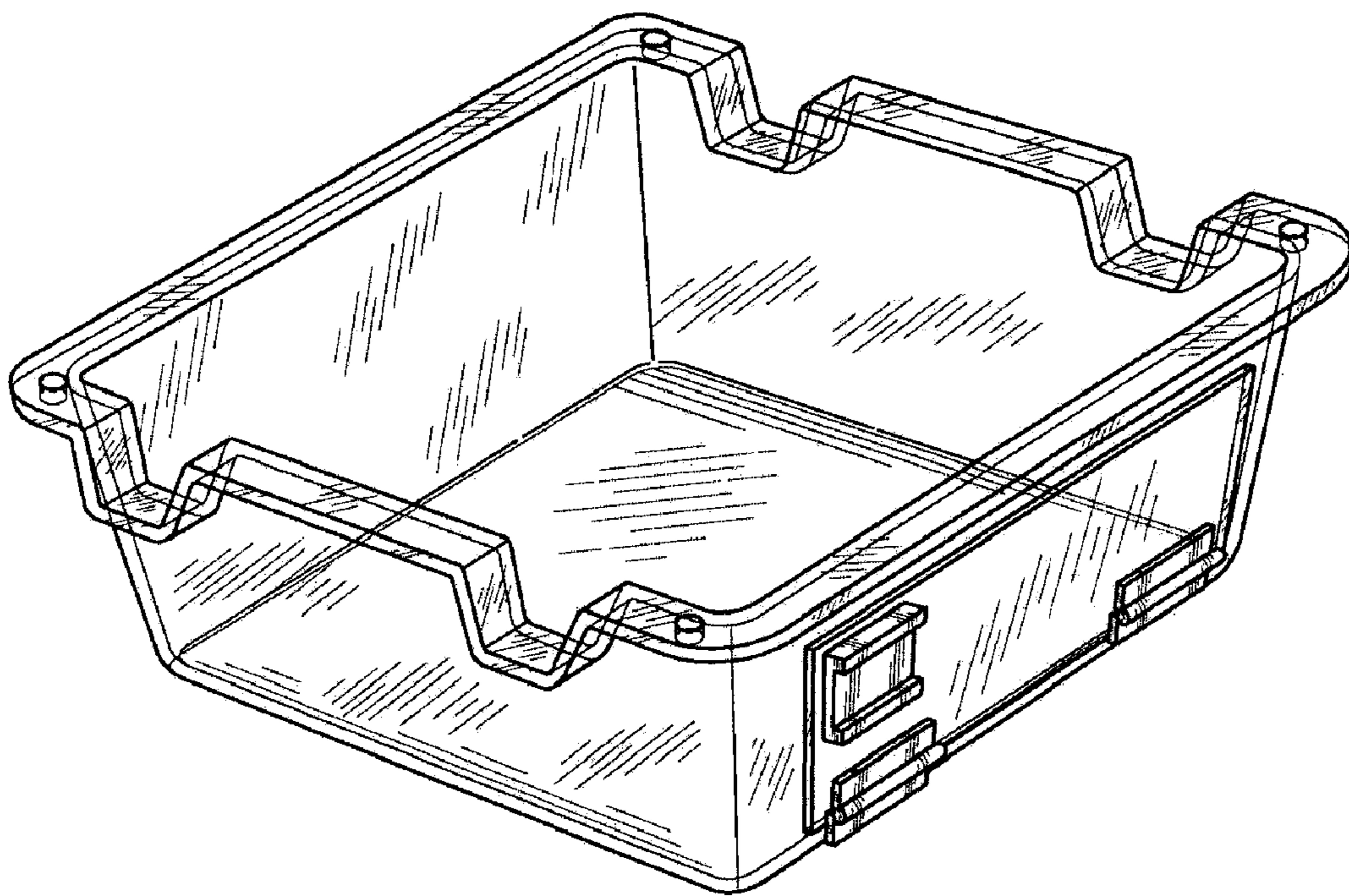


FIG. 1

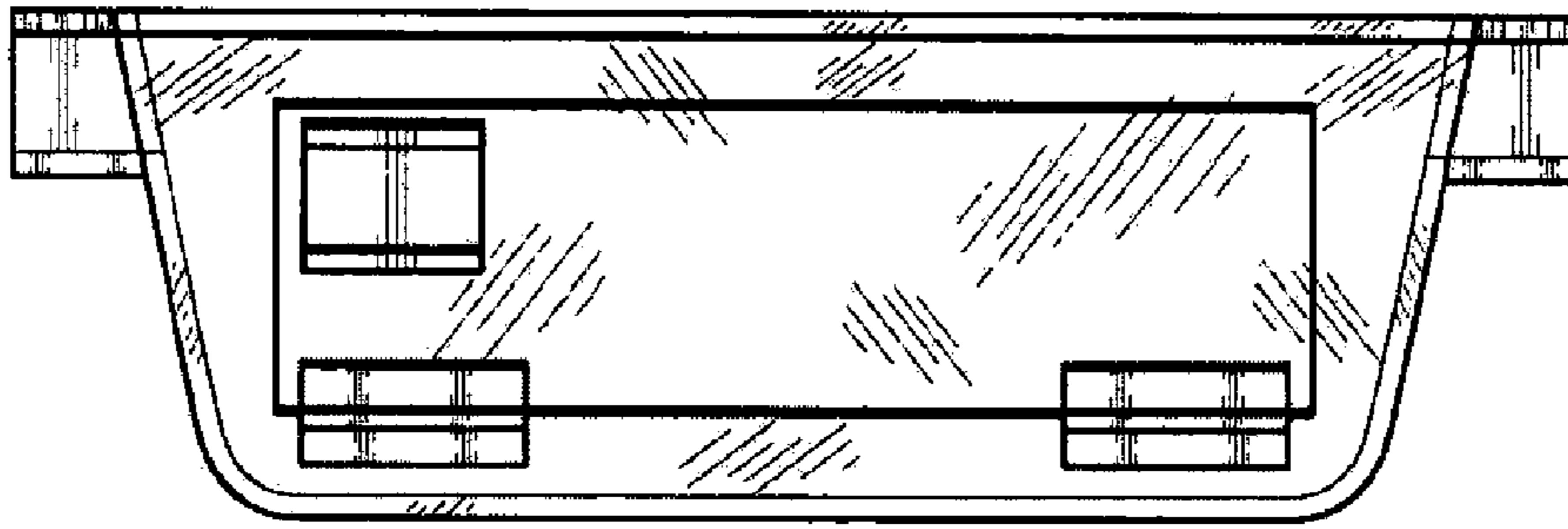


FIG. 2

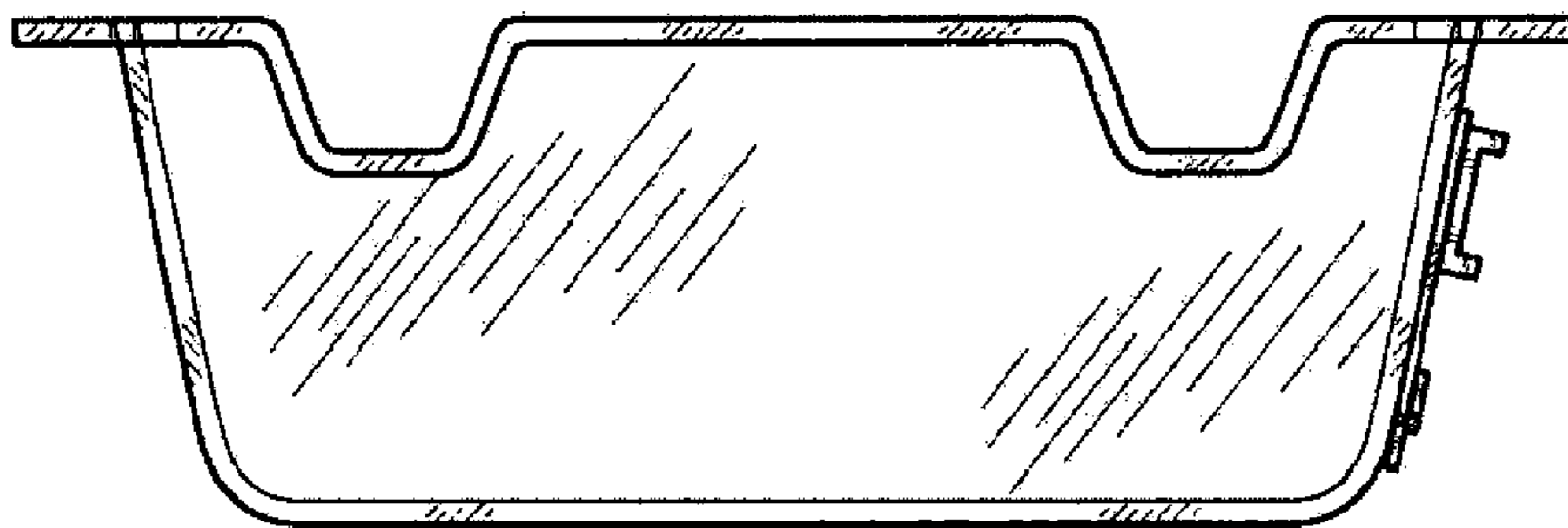


FIG. 3

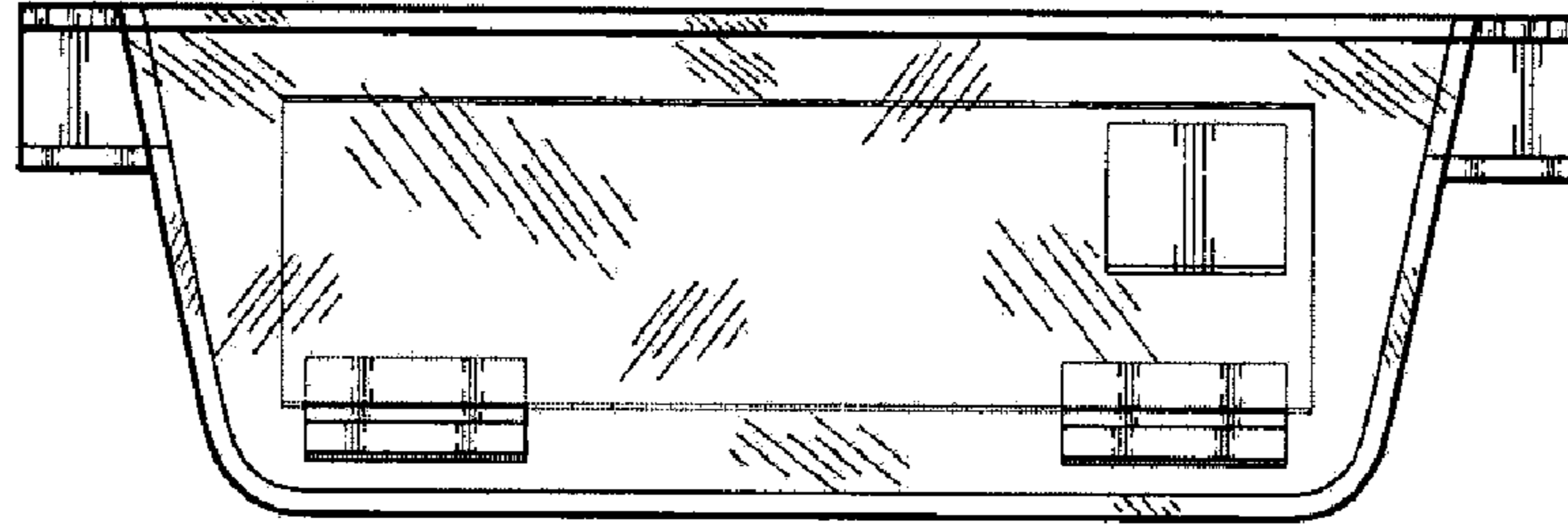


FIG. 4

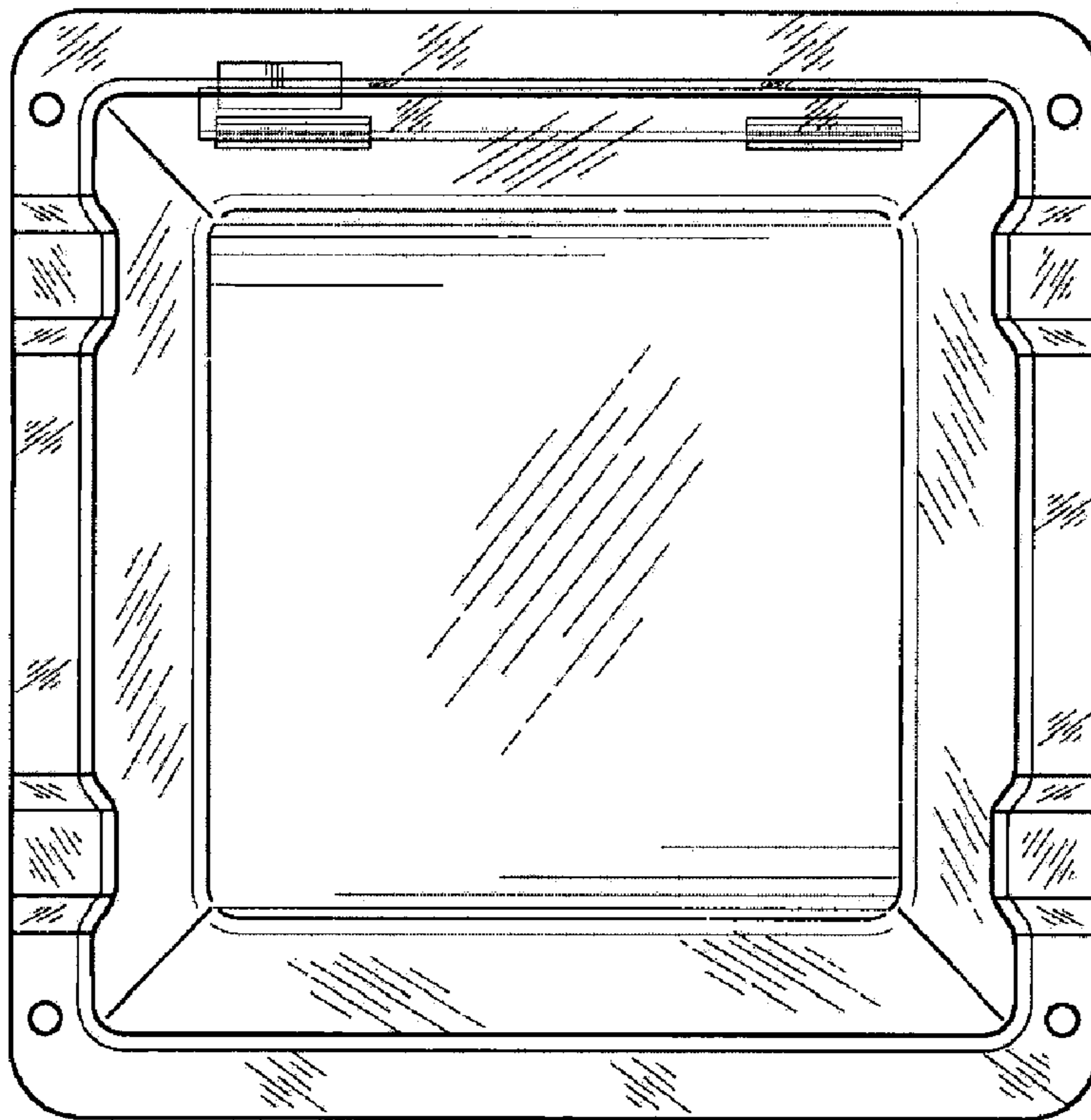


FIG. 5

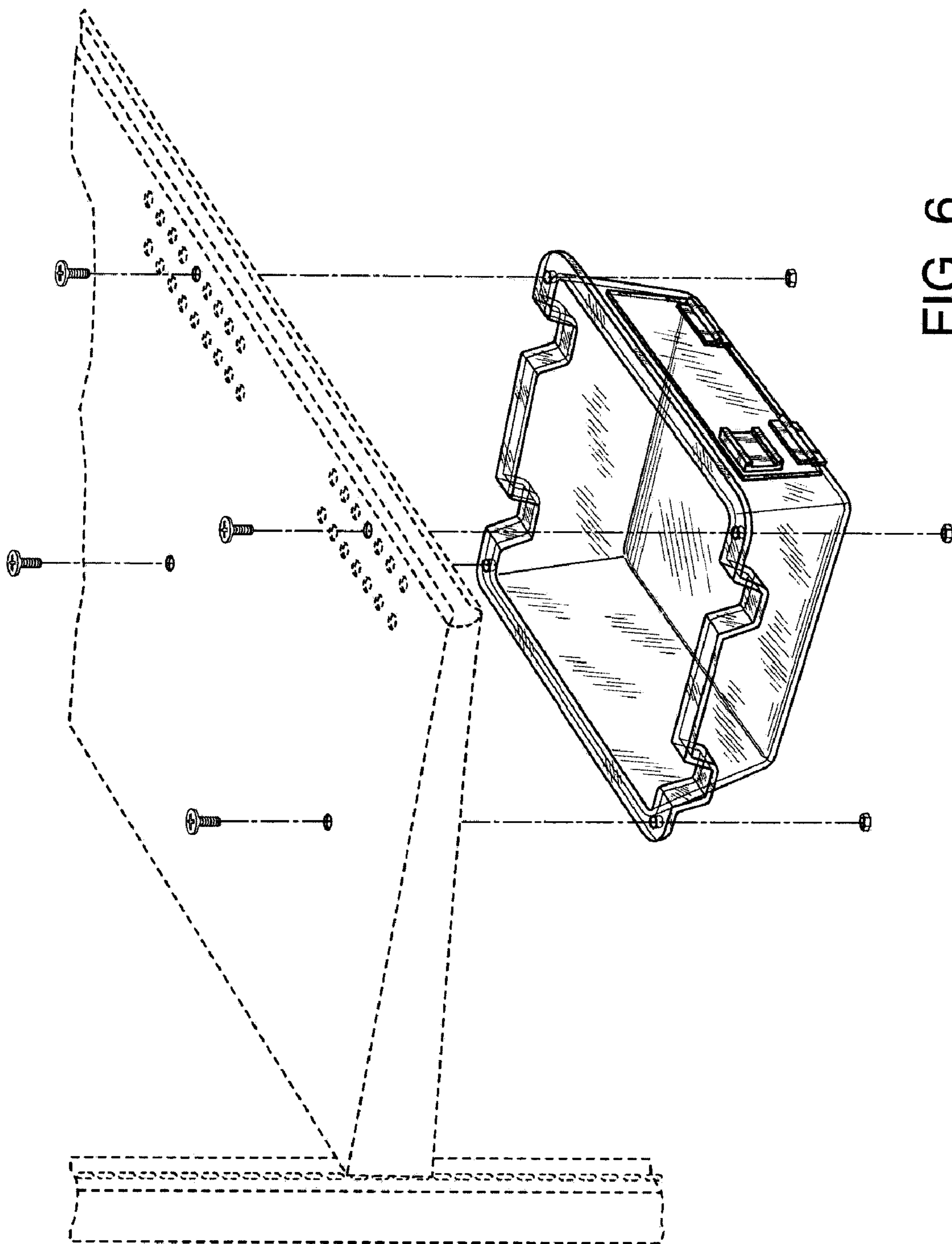


FIG. 6