

US00D564819S

(12) **United States Design Patent**
Fosburg et al.

(10) **Patent No.:** **US D564,819 S**
(45) **Date of Patent:** **** Mar. 25, 2008**

(54) **UNIVERSAL AIR TOOL STORAGE RACK**

(76) Inventors: **Gary L. Fosburg**, 15756 Rattlesnake Rd., Grass Valley, CA (US) 95945;
Mark A. Fisher, 12764 Foster Rd., Grass Valley, CA (US) 95945

(**) Term: **14 Years**

(21) Appl. No.: **29/259,644**

(22) Filed: **May 15, 2006**

(51) **LOC (8) Cl.** **06-04**

(52) **U.S. Cl.** **D6/569**

(58) **Field of Classification Search** D6/512,
D6/553, 567, 569, 570; 211/13.1, 57.1, 86.01,
211/87.01, 105.1, 70.6, 106.01; 248/309.1,
248/309.2

See application file for complete search history.

(56) **References Cited**

U.S. PATENT DOCUMENTS

D310,762 S *	9/1990	Embree et al.	D6/569
D395,957 S *	7/1998	Gunthert	D6/570
5,853,092 A *	12/1998	Goodman et al.	211/70.6
D443,161 S *	6/2001	Mahlmann	D6/567
D458,070 S *	6/2002	Bennett et al.	D6/567
D544,279 S *	6/2007	Kivett et al.	D6/569
D547,584 S *	7/2007	Little	D6/569

* cited by examiner

Primary Examiner—Brian N Vinson

(74) *Attorney, Agent, or Firm*—Mark C. Jacobs, Esq.

(57) **CLAIM**

The ornamental design for universal air tool storage rack, as shown and described.

DESCRIPTION

FIG. 1 is a top perspective view of this design.

FIG. 2 is a bottom perspective view thereof.

FIG. 3 is a bottom plan view of this device.

FIG. 4 is a right end elevational view of this device, the left end is a mirror image thereof.

FIG. 5 is a top perspective view of the two units of this device spaced apart with a joiner, prior to the actual junction of the two units.

FIG. 6 is a top perspective view of the two joined units.

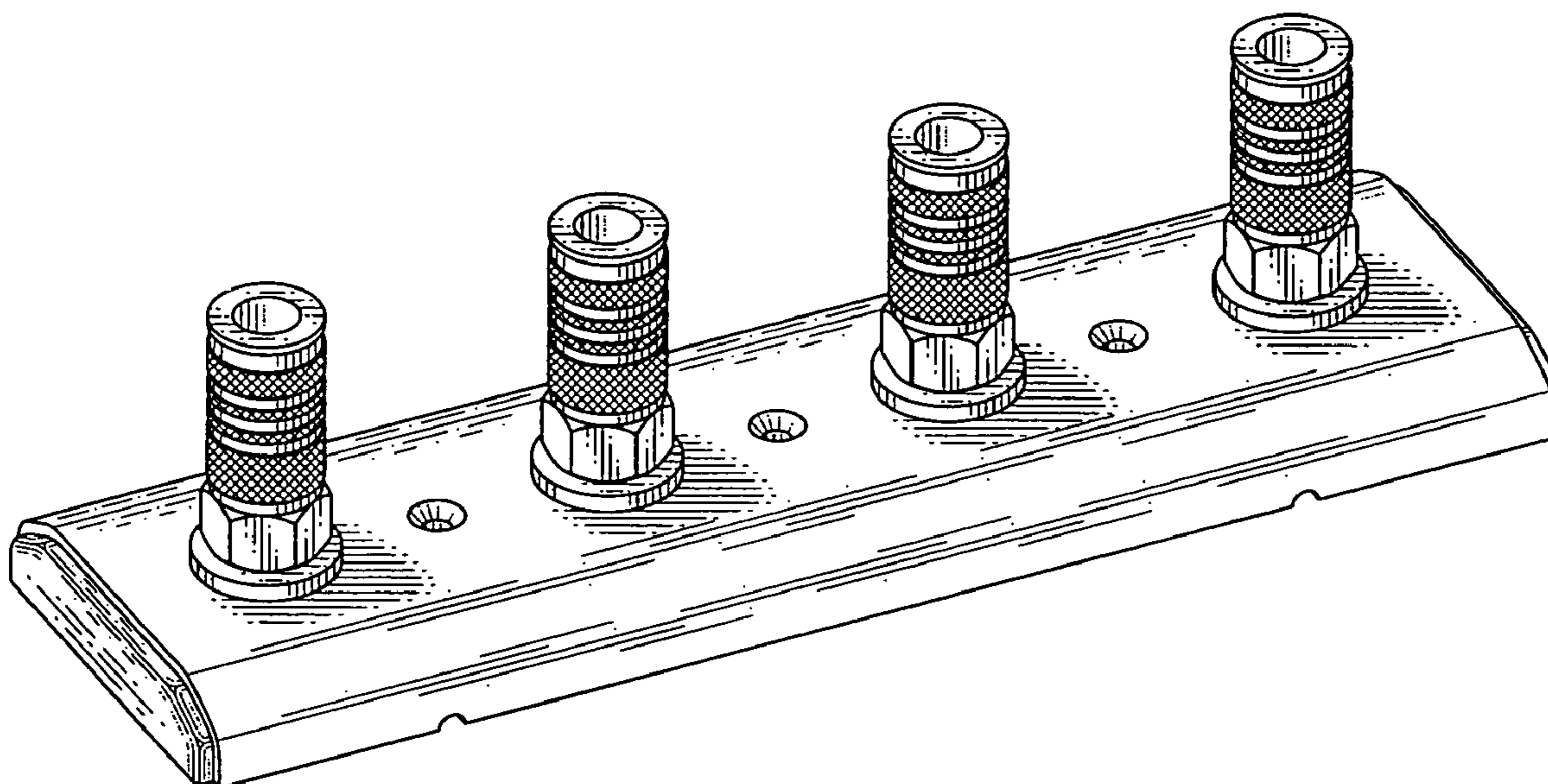
FIG. 7 is a closeup elevational view of one of the pneumatic couplers as utilized in this device.

FIG. 8 is a top plan view of two aligned couplers.

FIG. 9 is a view similar to FIG. 1, but with 3 couplers instead of 4; and,

FIG. 10 is a top plan view of FIG. 9.

1 Claim, 3 Drawing Sheets



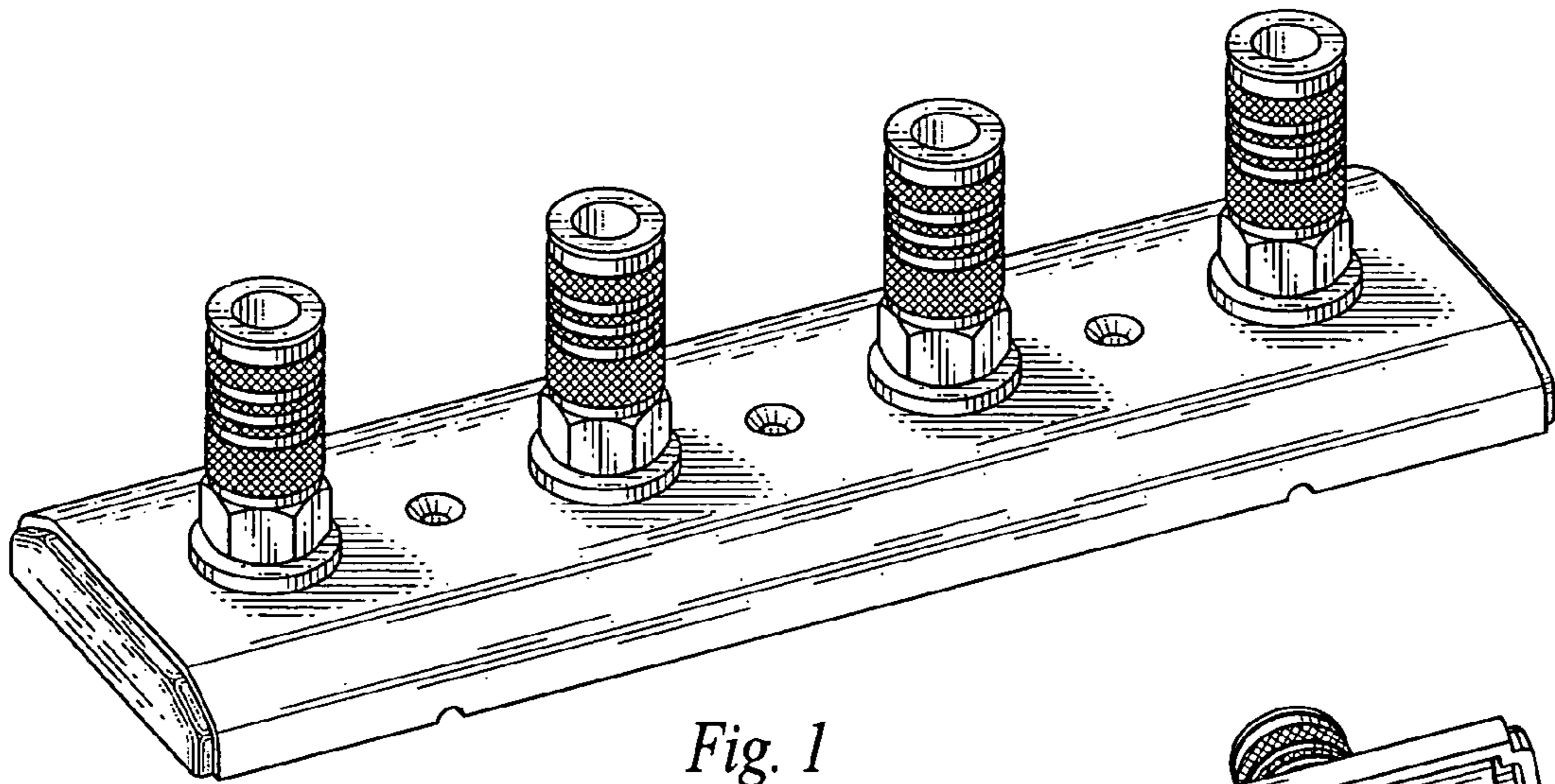


Fig. 1

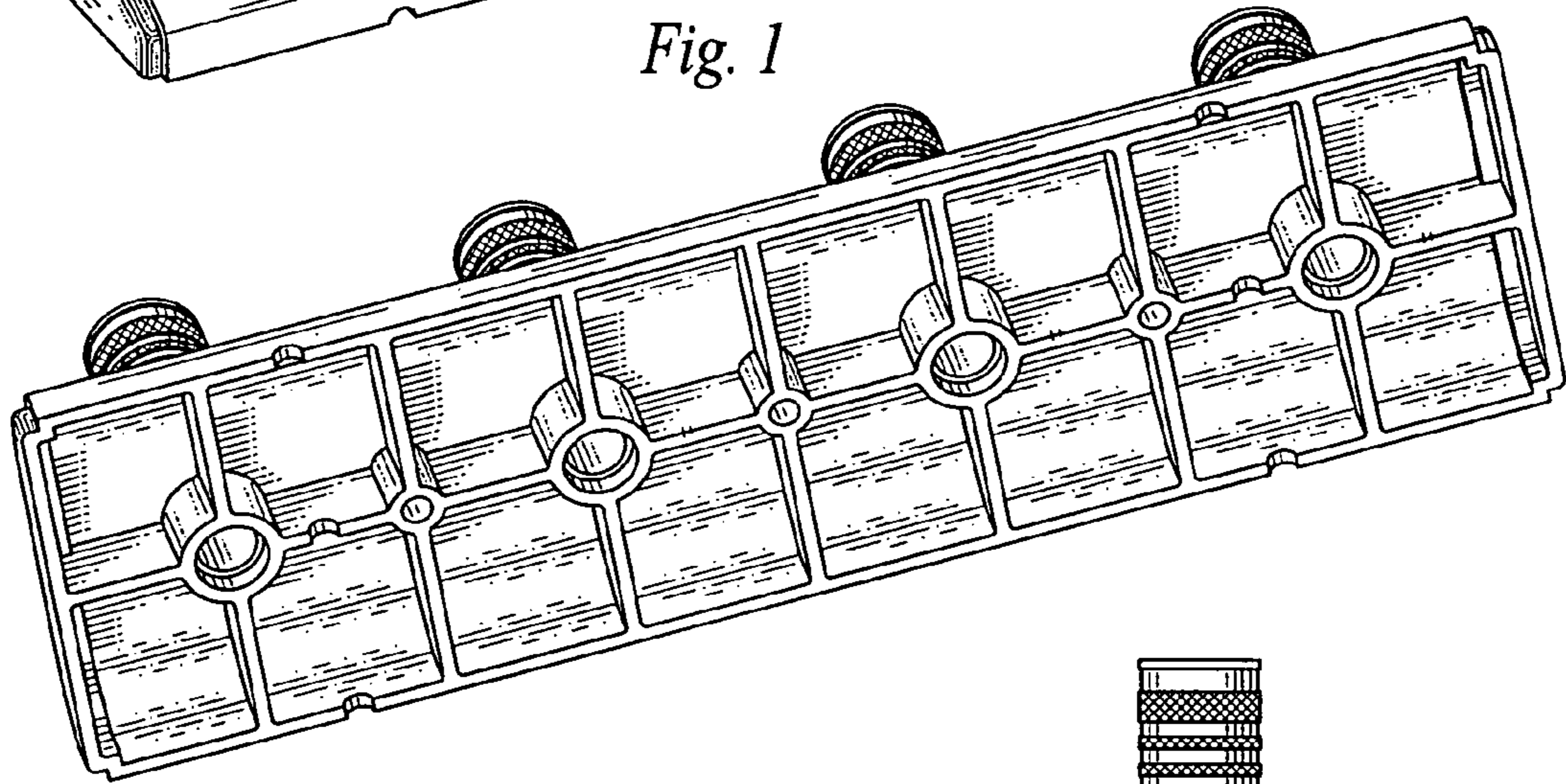


Fig. 2

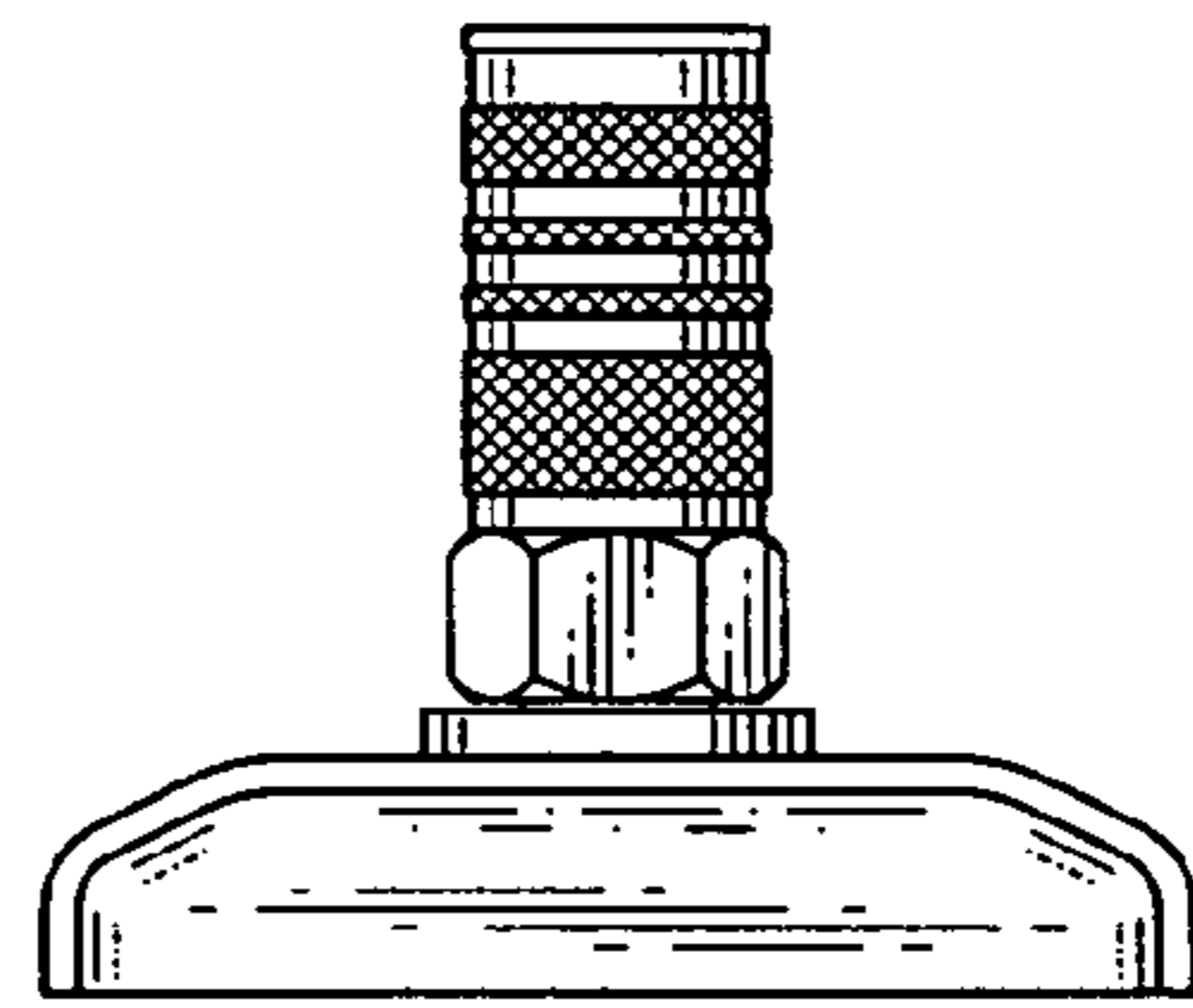


Fig. 4

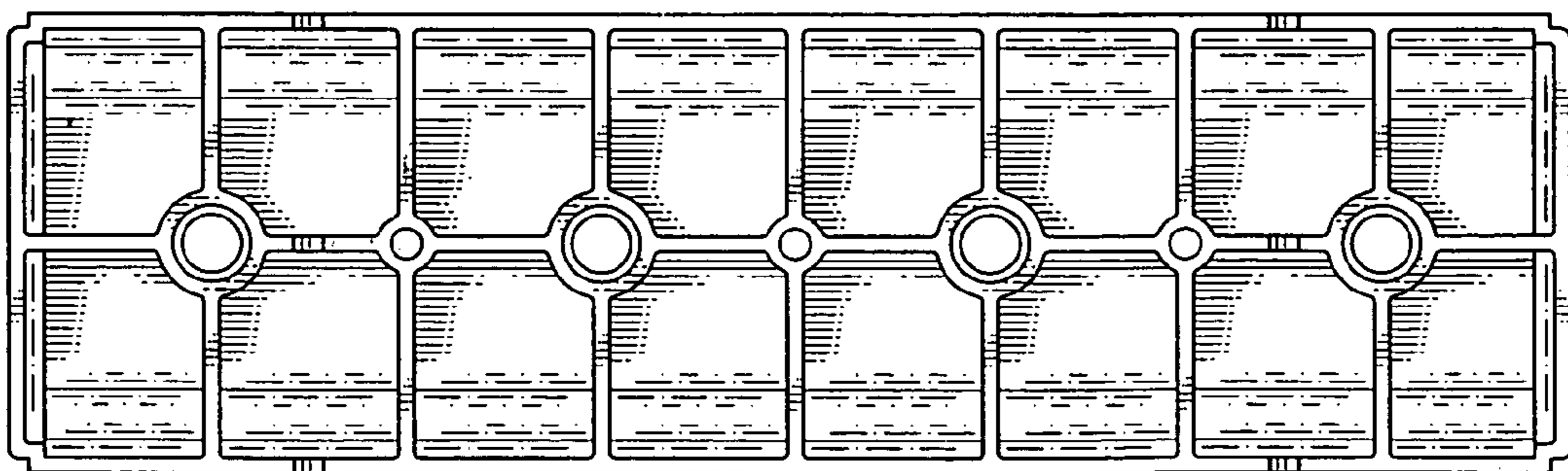


Fig. 3

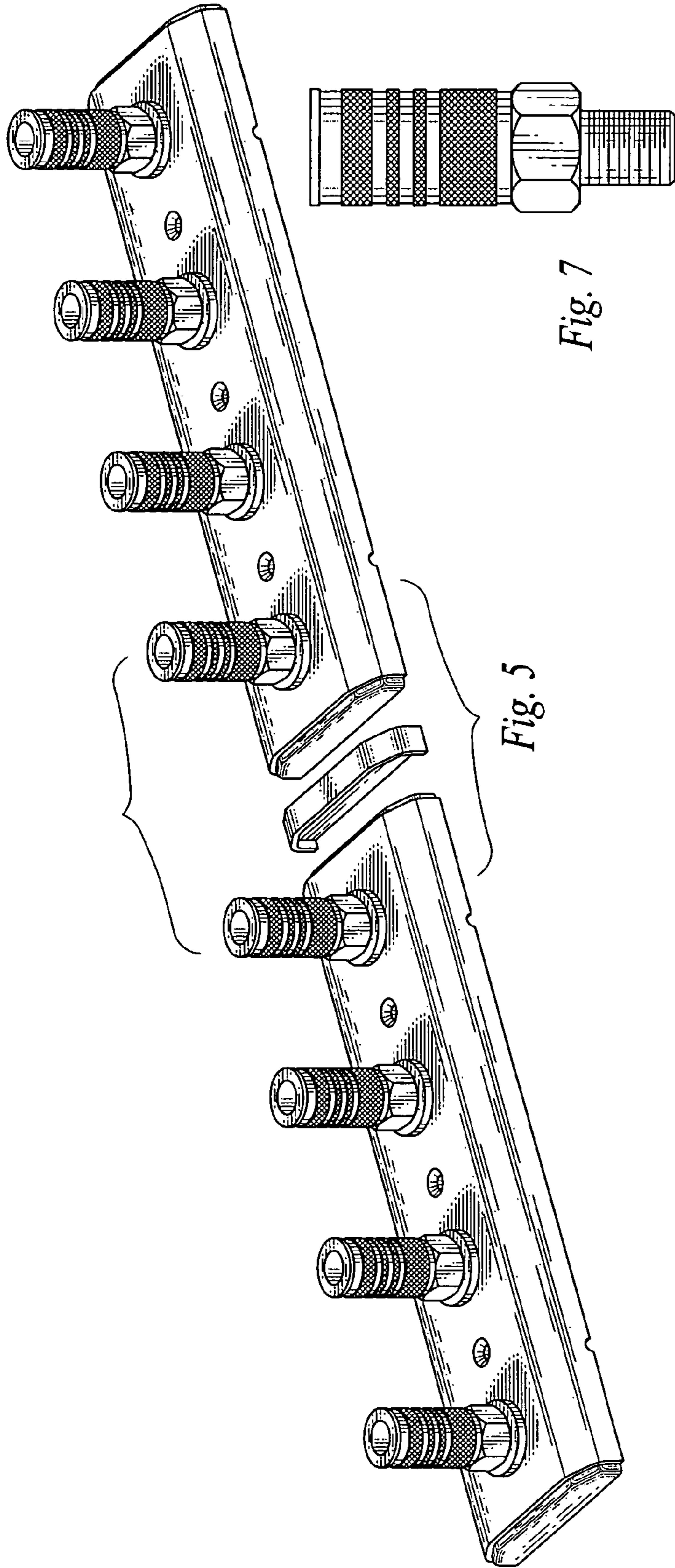


Fig. 5

Fig. 7

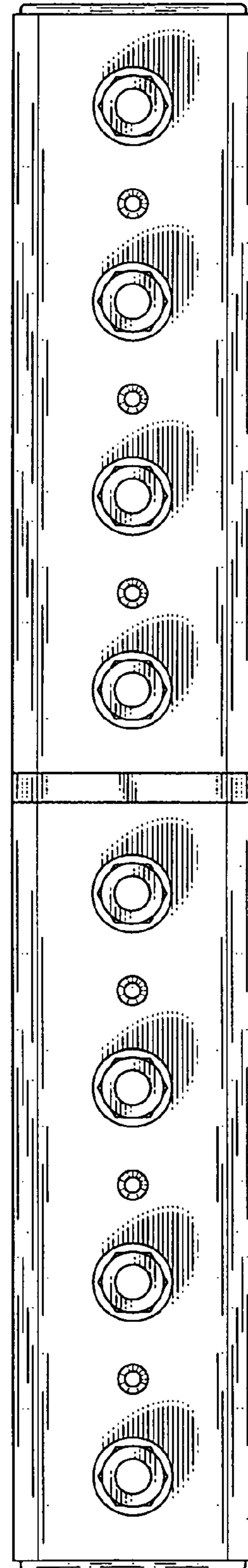


Fig. 8

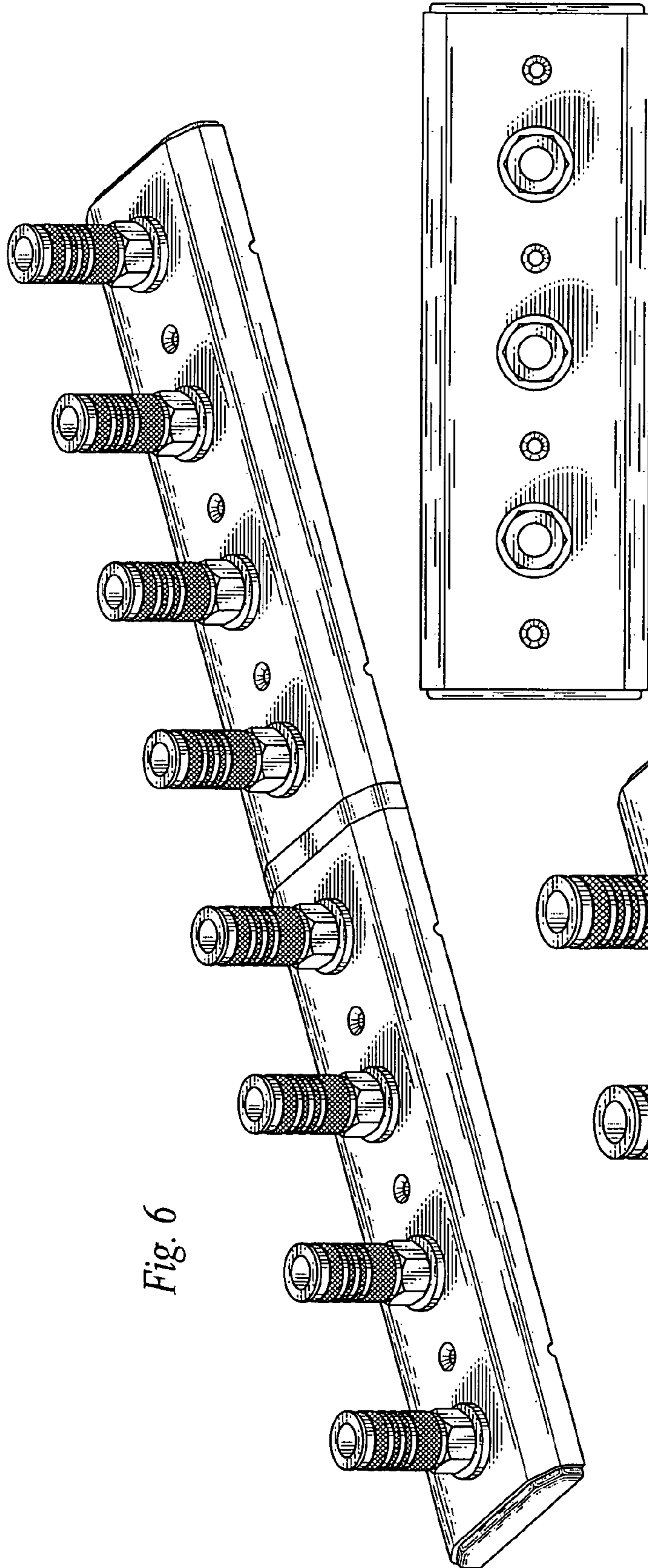


Fig. 6

Fig. 10

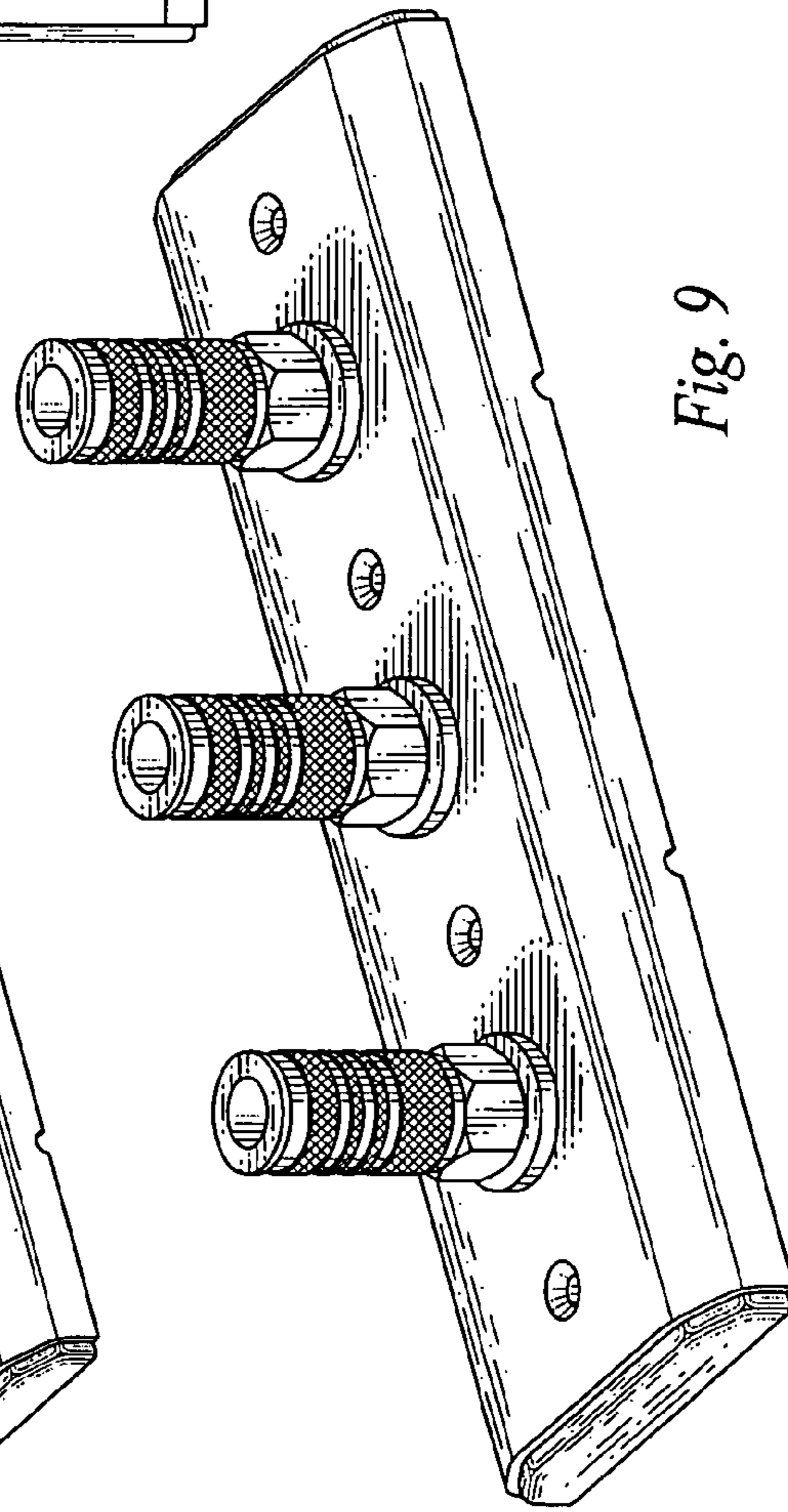


Fig. 9