



US00D564817S

(12) **United States Design Patent**
Ophardt et al.

(10) **Patent No.:** **US D564,817 S**
(45) **Date of Patent:** **** Mar. 25, 2008**

(54) **FLUID DISPENSER**

D467,108 S * 12/2002 Ahlstrom et al. D6/545
D494,799 S * 8/2004 Coe et al. D6/567

(75) Inventors: **Heiner Ophardt**, Vineland (CA);
Goran Franjesevic, Stoney Creek (CA)

* cited by examiner

(73) Assignee: **Gotohti.com Inc.**, Beamsville, Ontario
(CA)

Primary Examiner—Brian N Vinson
(74) *Attorney, Agent, or Firm*—Riches, McKenzie &
Herbert LLP

(**) Term: **14 Years**

(21) Appl. No.: **29/272,286**

(22) Filed: **Feb. 6, 2007**

(57) **CLAIM**

The ornamental design for a fluid dispenser, as shown and described.

(30) **Foreign Application Priority Data**

Dec. 15, 2006 (EM) 000637988

DESCRIPTION

(51) **LOC (8) Cl.** **23-02**

(52) **U.S. Cl.** **D6/545**

(58) **Field of Classification Search** D6/542–545,
D6/553, 567; 221/208, 282–283; 222/105,
222/173, 180, 181.1, 181.2, 181.3; 211/13.1;
248/309.1

See application file for complete search history.

FIG. 1 is a perspective view of a fluid dispenser showing our new design;

FIG. 2 is a front view of the dispenser shown in FIG. 1;

FIG. 3 is a rear view of the dispenser shown in FIG. 1;

FIG. 4 is a top view of the dispenser shown in FIG. 1;

FIG. 5 is a bottom view of the dispenser shown in FIG. 1;

FIG. 6 is a left side view of the dispenser shown in FIG. 1; and,

FIG. 7 is a right side view of the dispenser shown in FIG. 1.

The broken-line disclosure in the views is understood to be for illustrative purposes only and to form no part of the claimed design.

(56) **References Cited**

U.S. PATENT DOCUMENTS

D210,567 S * 3/1968 Stanziale D6/545
4,615,476 A * 10/1986 Hobbs et al. 222/180
4,679,709 A * 7/1987 Poitras et al. 222/180
D298,097 S * 10/1988 Vogel et al. D6/545

1 Claim, 5 Drawing Sheets

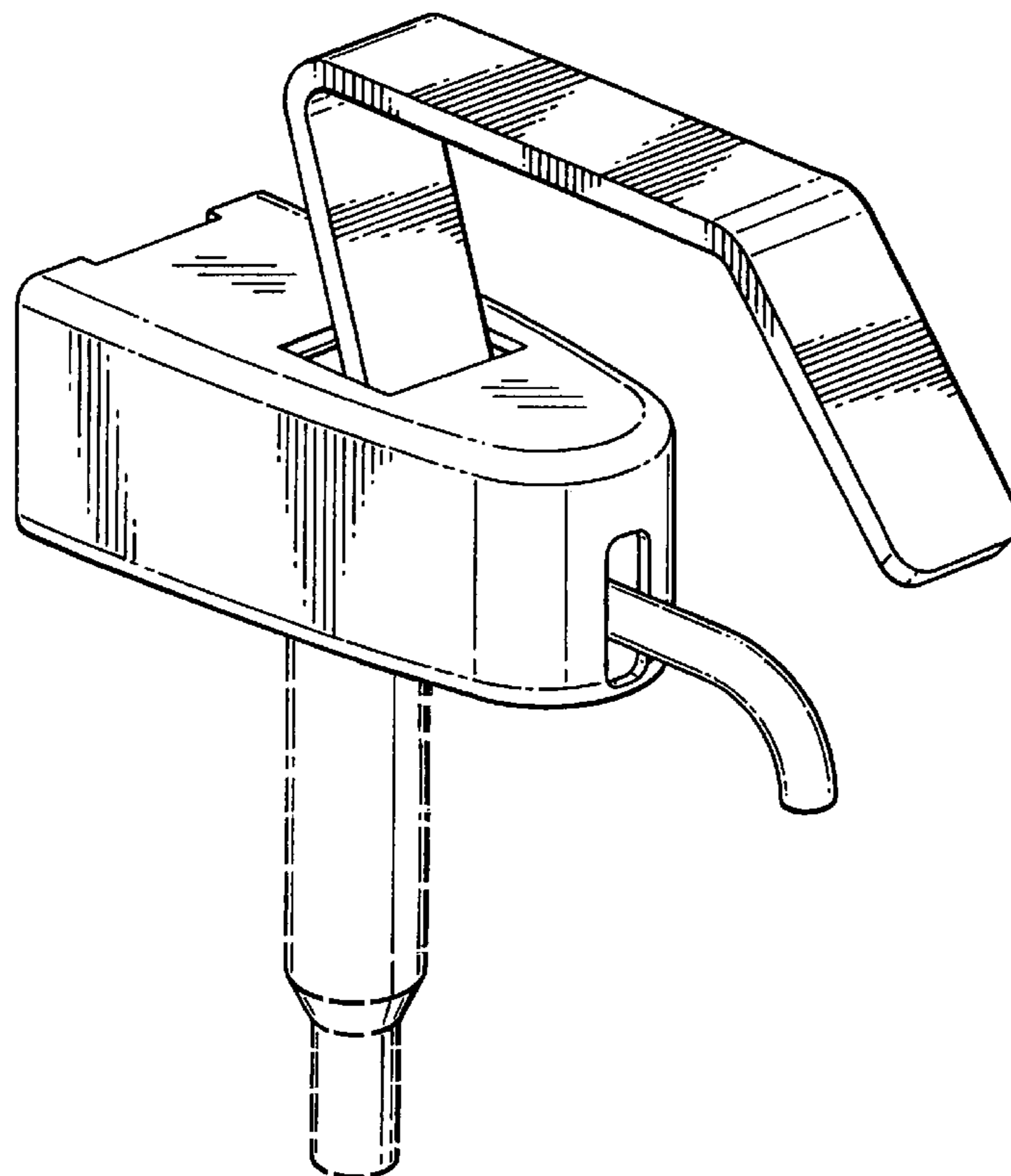


FIG.1.

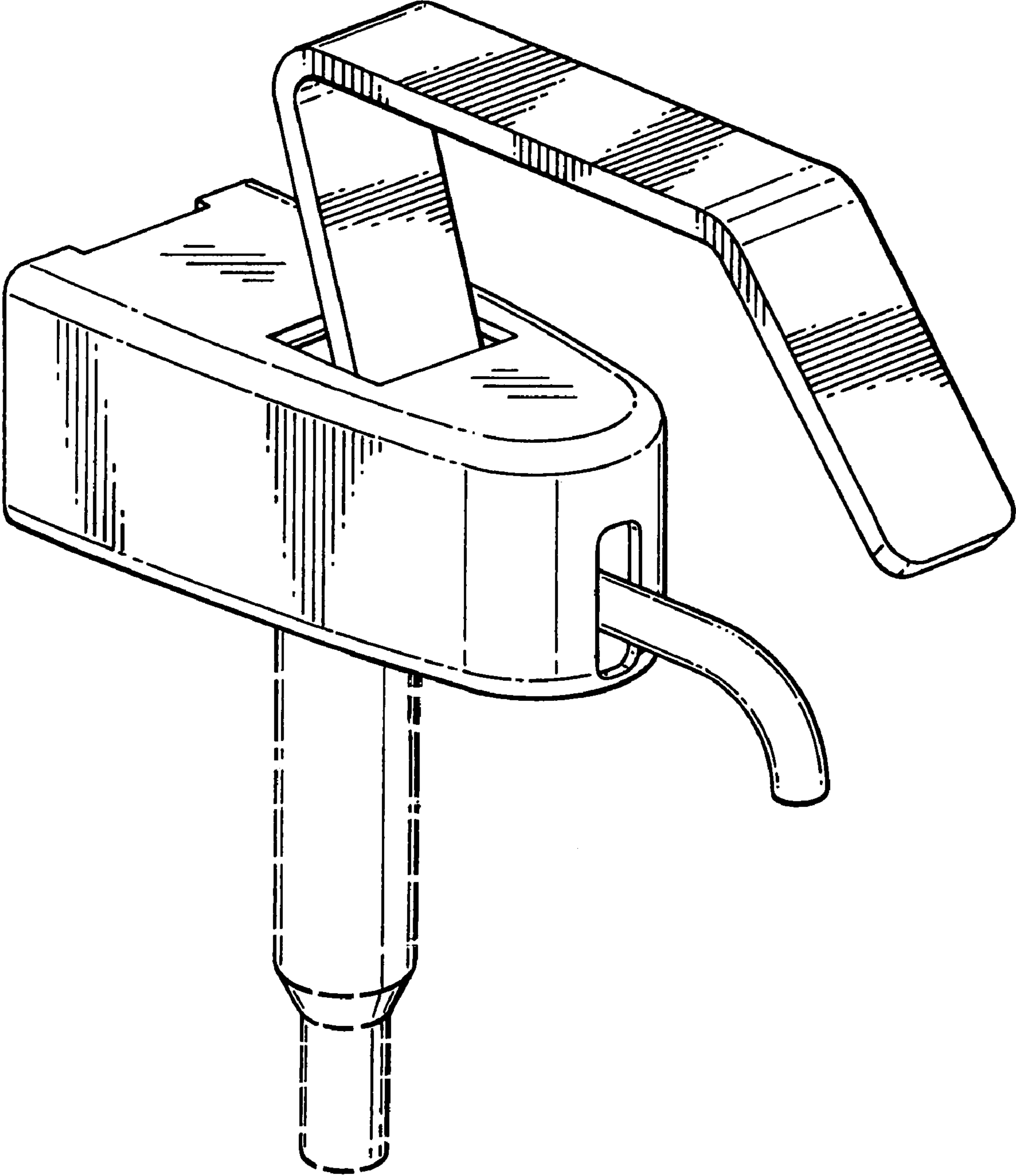


FIG. 2.

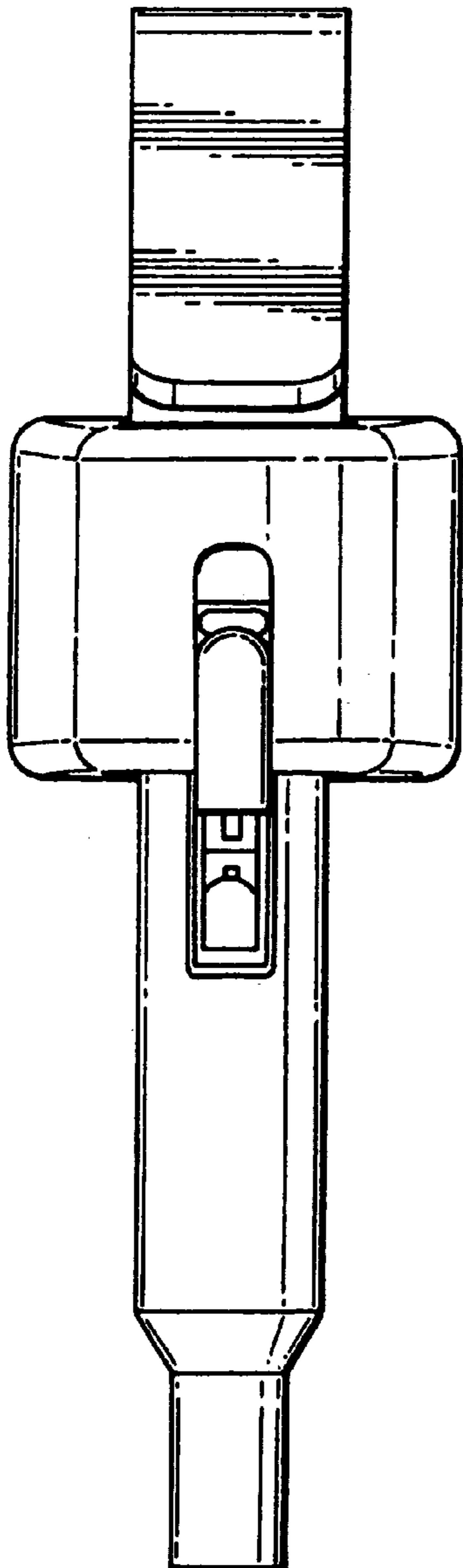


FIG. 3.

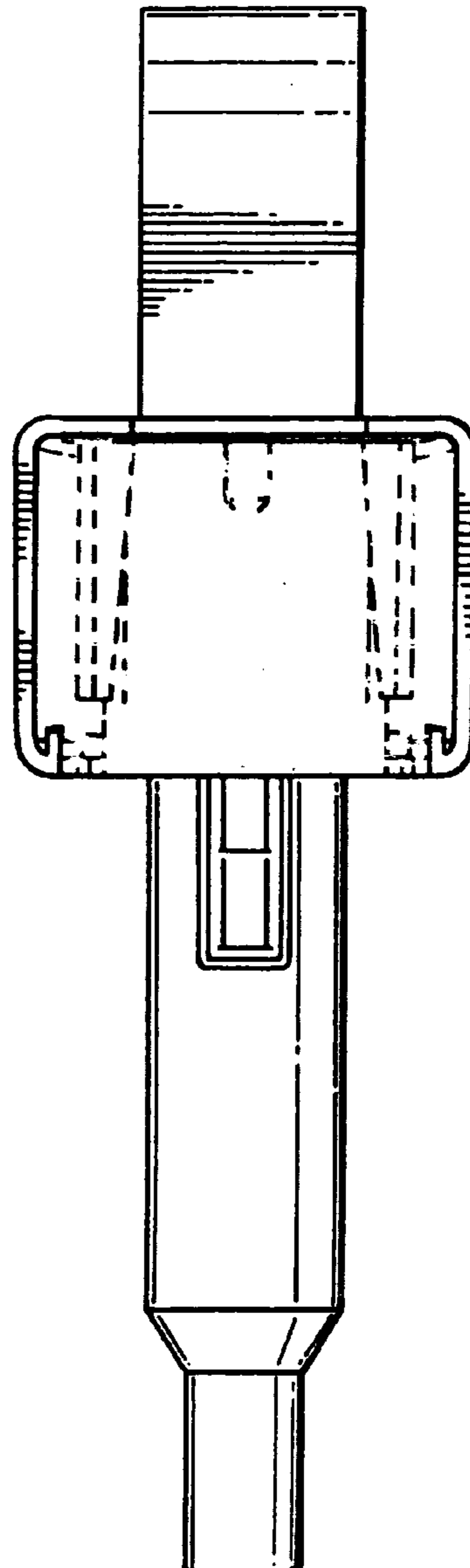


FIG. 4.

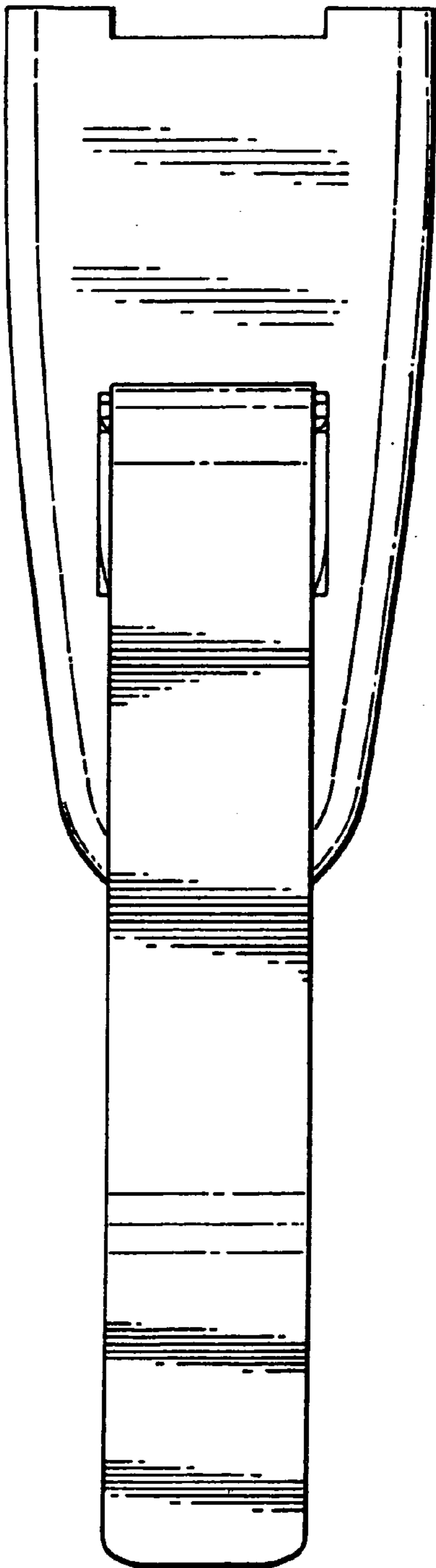


FIG. 5.

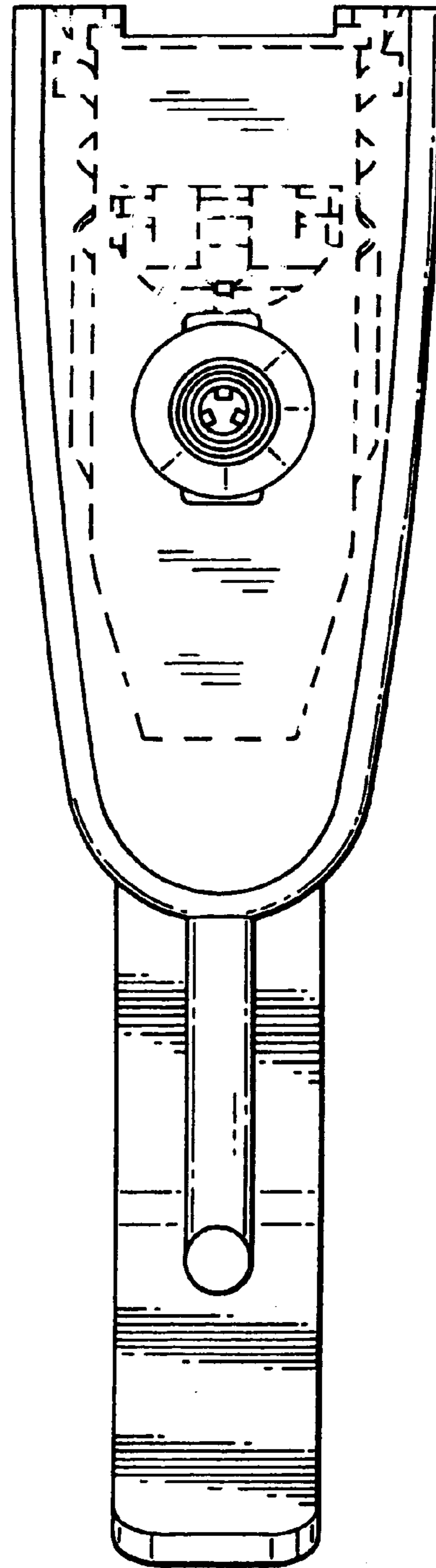


FIG. 6.

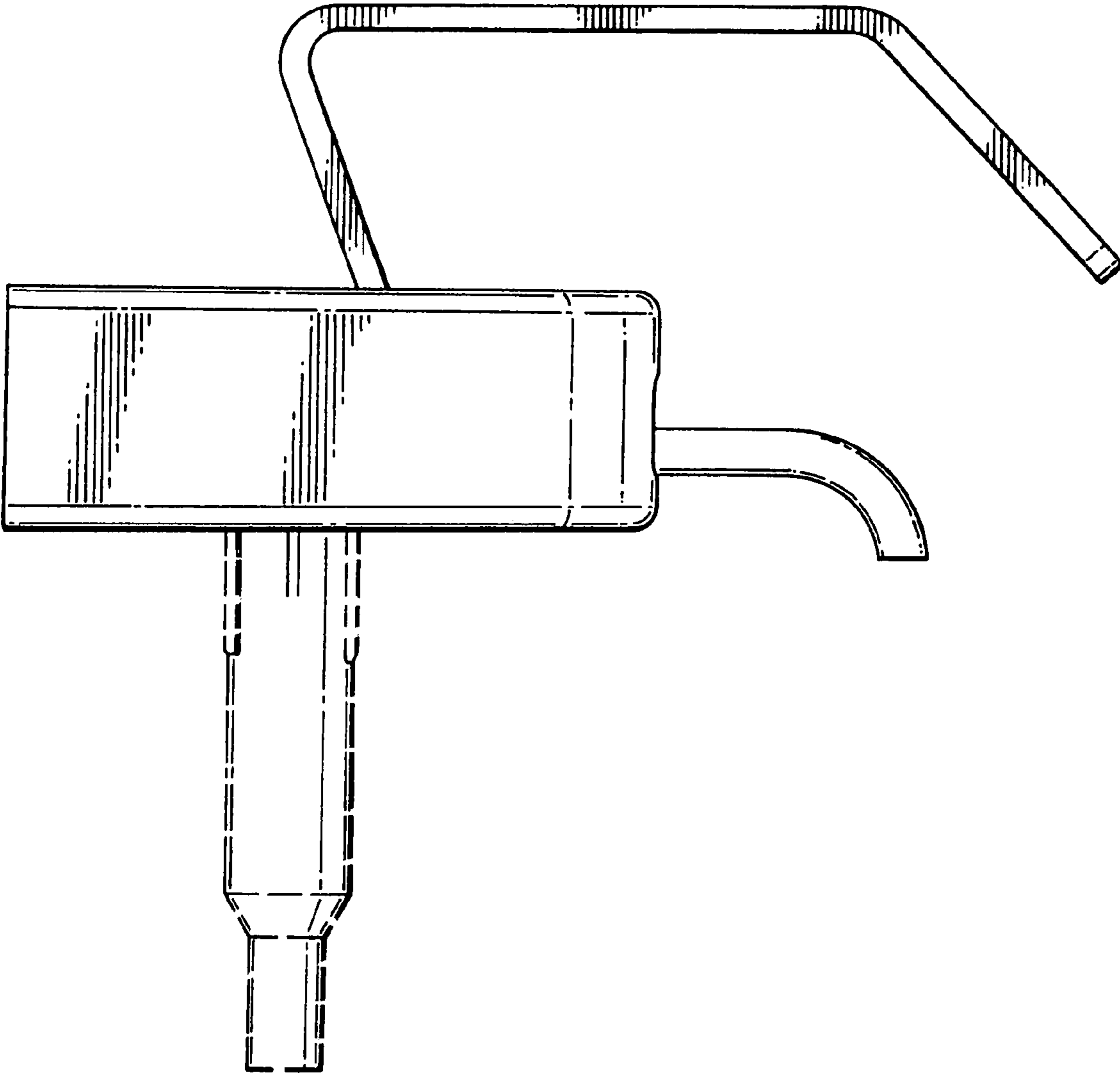


FIG. 7.

